



US00D374730S

United States Patent [19]

[11] Patent Number: **Des. 374,730**

Hauser

[45] Date of Patent: ****Oct. 15, 1996**

[54] **MOTORCYCLE HEADLIGHT HOUSING FOR MOUNTING ADJACENT THE TRIPLE TREE**

Primary Examiner—Marcus A. Jackson
Attorney, Agent, or Firm—Richard L. Gausewitz

[76] Inventor: **Richard S. Hauser**, 11630 Countryside Dr., Fontana, Calif. 92337

[57] **CLAIM**

[**] Term: **14 Years**

The ornamental design for a motorcycle headlight housing for mounting adjacent the triple tree, as shown and described.

[21] Appl. No.: **45,725**

DESCRIPTION

[22] Filed: **Oct. 27, 1995**

FIG. 1 is an isometric view of a motorcycle headlight housing for mounting adjacent the triple tree, showing my new design;

[52] U.S. Cl. **D26/28**

FIG. 2 is a top plan view thereof;

[58] Field of Search D26/28-35; 362/61, 362/62, 64, 72, 73, 80, 81, 82, 83, 84

FIG. 3 is a front elevation thereof;

[56] **References Cited**

FIG. 4 is a side elevation, showing the side shown in FIG. 1;

U.S. PATENT DOCUMENTS

FIG. 5 is a side elevation, showing the side not shown in FIG. 1;

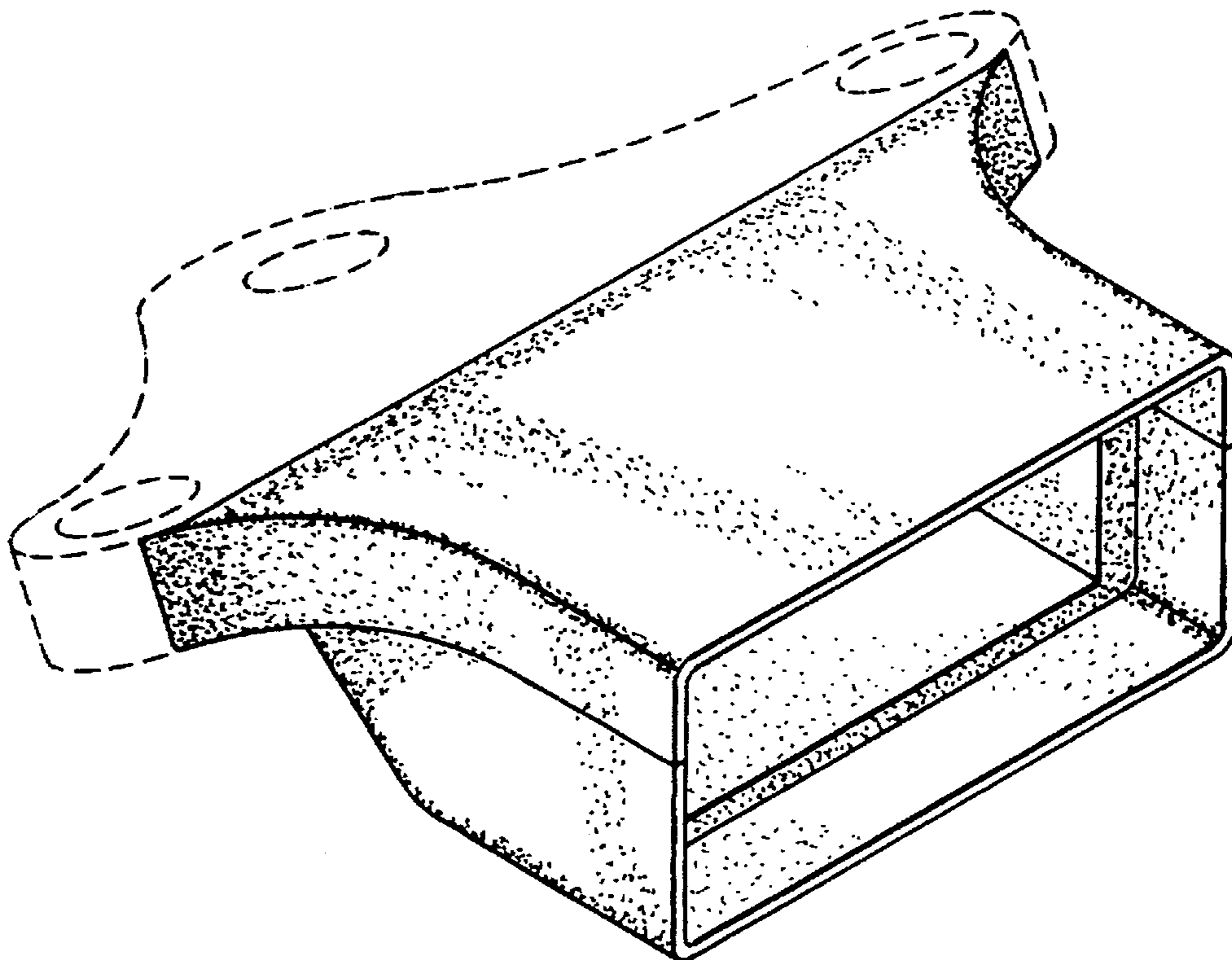
D. 280,849	10/1985	Ofield	D26/28
D. 281,912	12/1985	Rudd	D26/28
D. 302,335	7/1989	Smith et al.	D26/28
D. 311,962	11/1990	Huebner	D26/28
D. 315,217	3/1991	Gordon	D26/28
3,735,116	5/1973	Morrison	D26/28

FIG. 6 is a rear elevation; and,

FIG. 7 is a bottom plan view.

The triple tree is shown in dashed lines to indicate environment, and is not a part of the design.

1 Claim, 2 Drawing Sheets



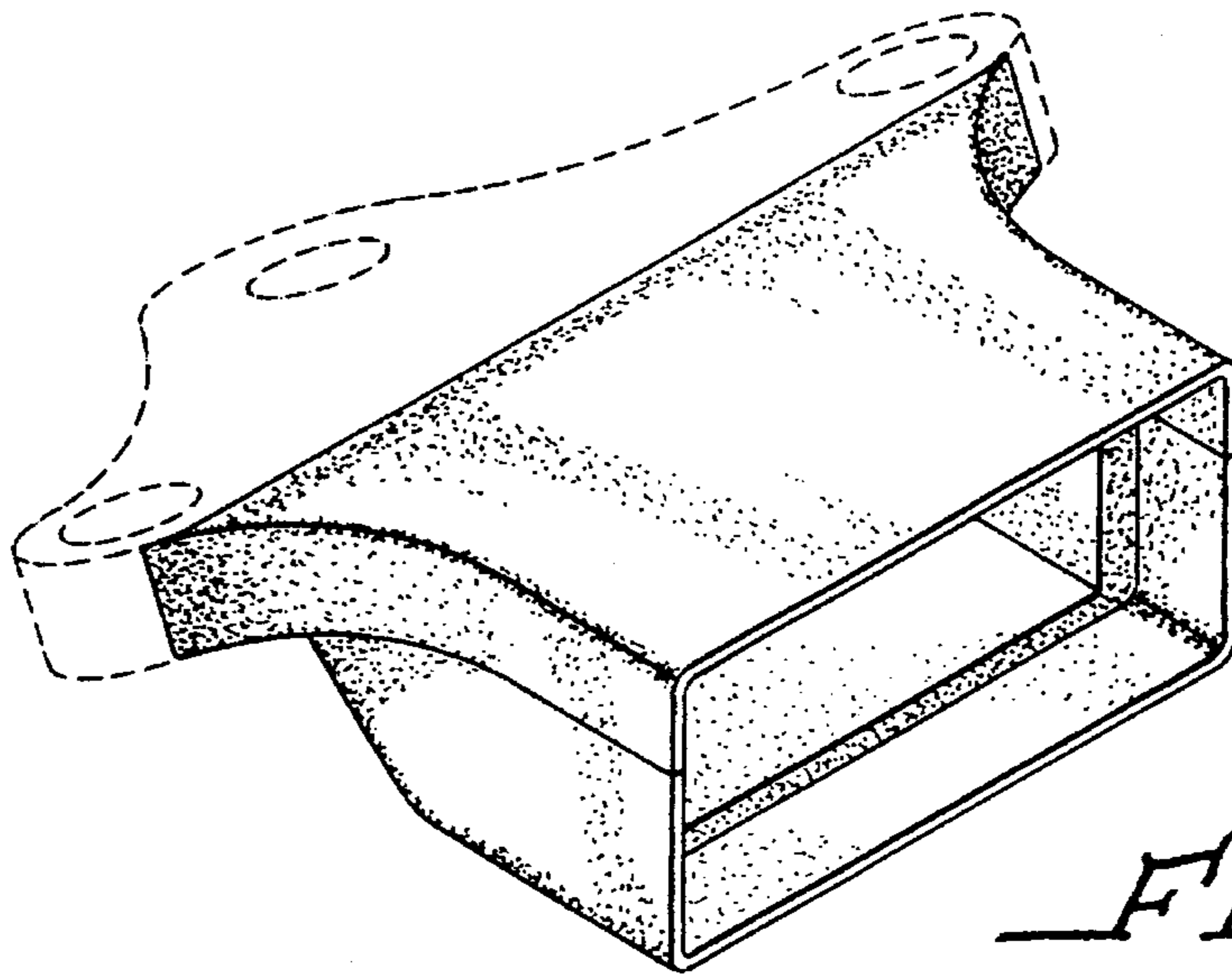


FIG. 1.

FIG. 2.

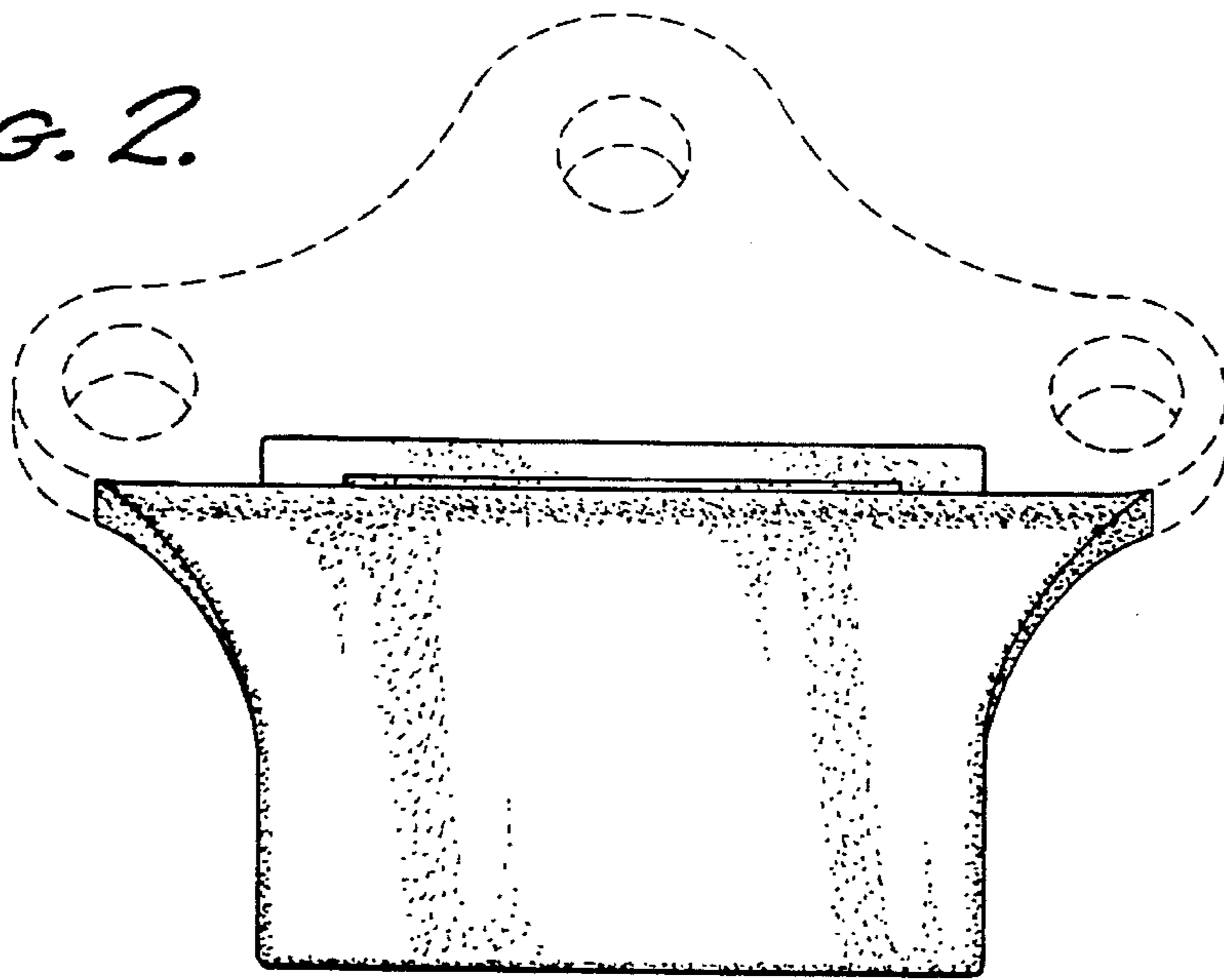


FIG. 3.

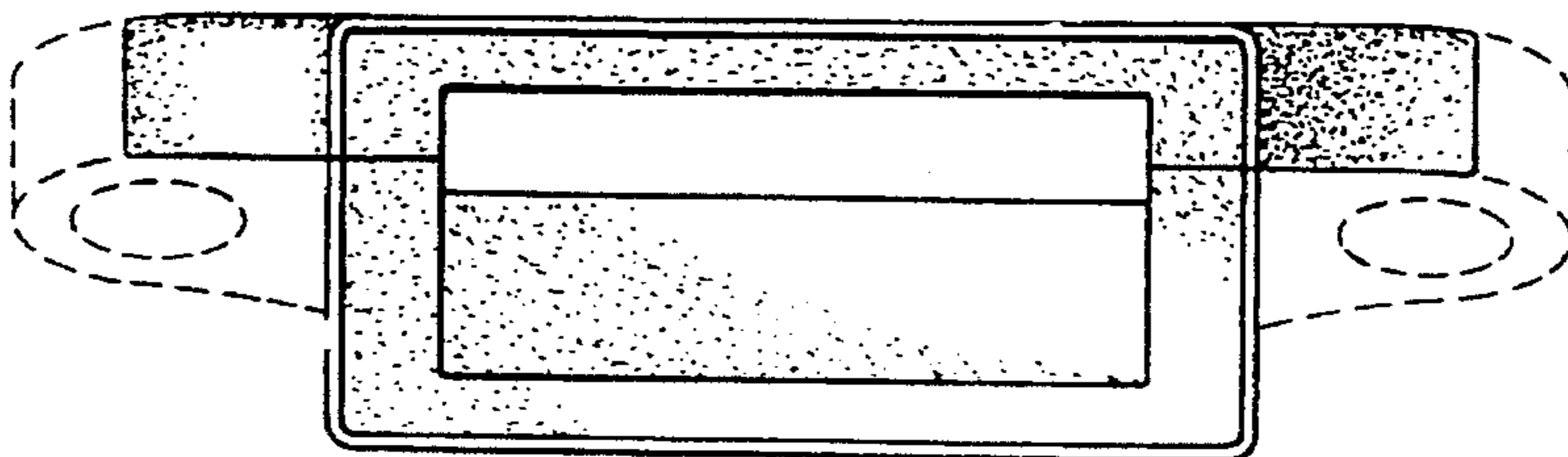


FIG. 4.

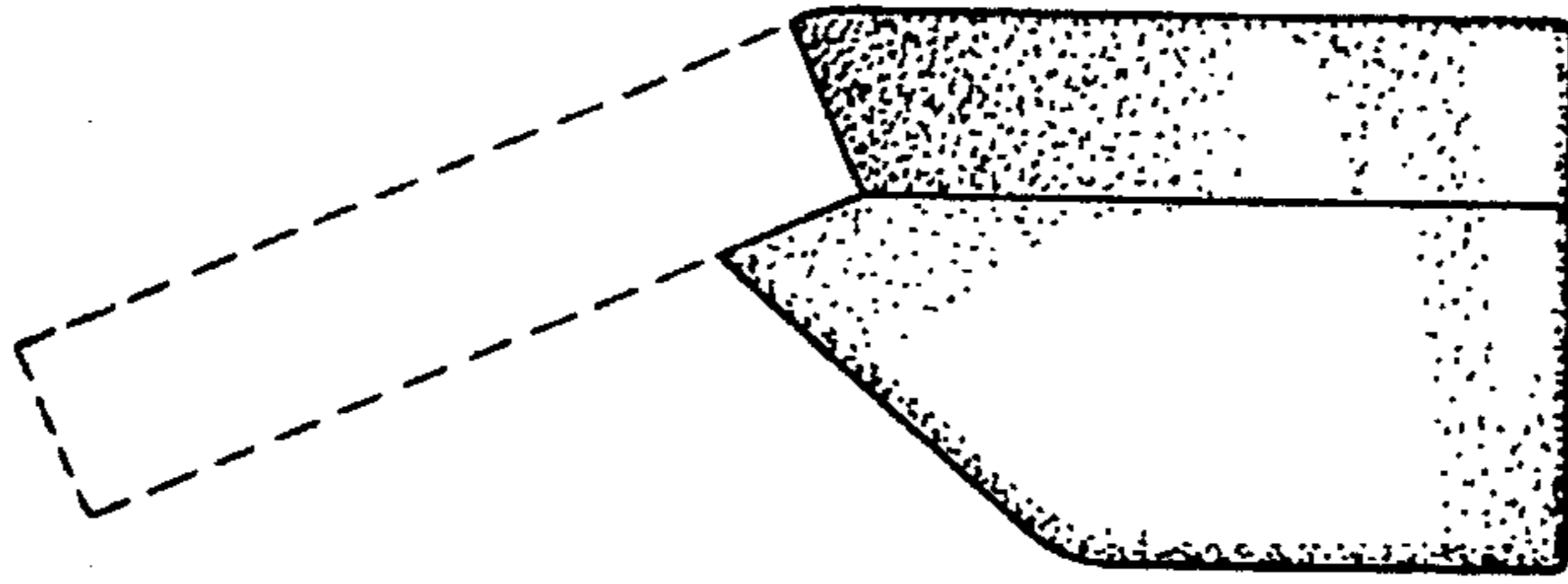


FIG. 5.

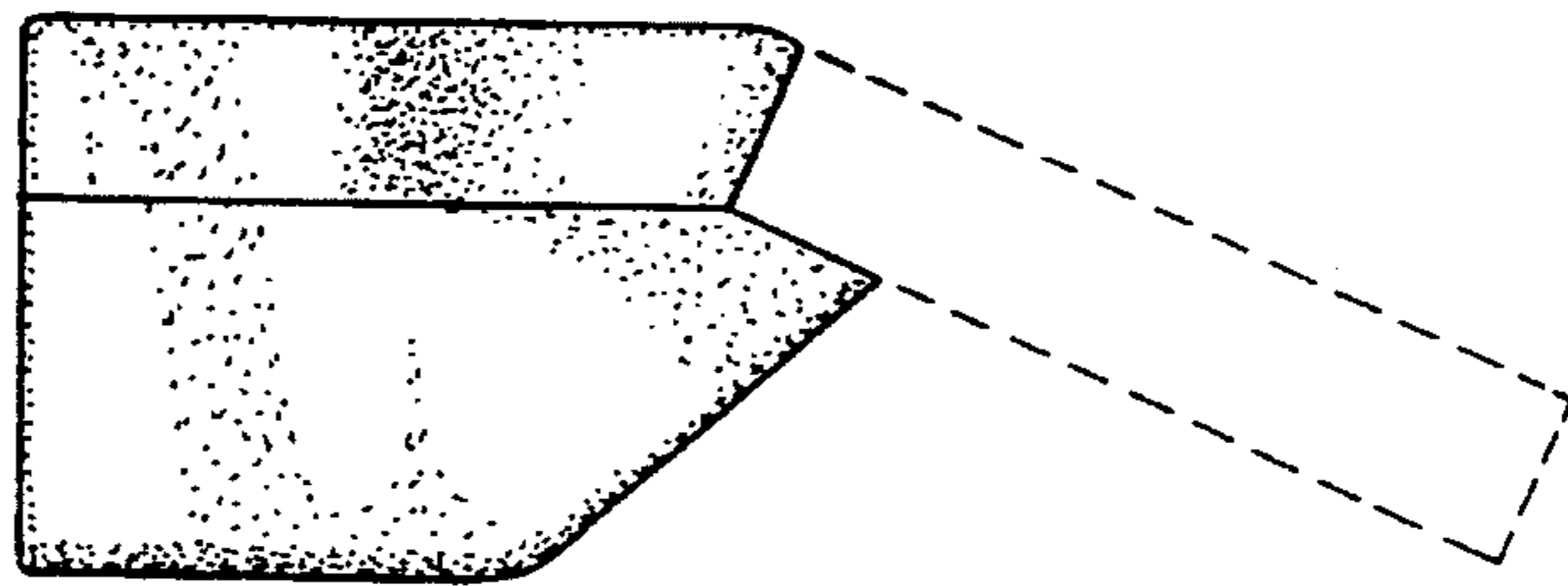


FIG. 6.

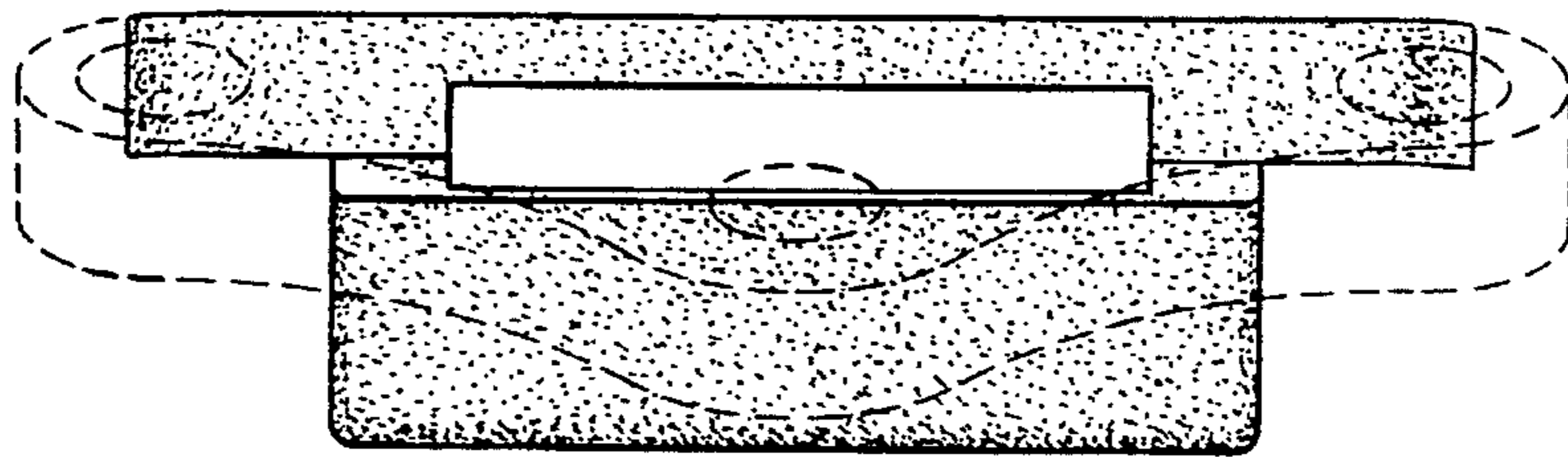


FIG. 7.

