



US00D374729S

# United States Patent [19]

Hauser

[11] Patent Number: **Des. 374,729**

[45] Date of Patent: **\*\*Oct. 15, 1996**

[54] **COMBINATION HEADLIGHT HOUSING AND TRIPLE TREE FOR MOTORCYCLES**

[76] Inventor: **Richard S. Hauser**, 11630 Countryside Dr., Fontana, Calif. 92337

[\*\*] Term: **14 Years**

[21] Appl. No.: **45,724**

[22] Filed: **Oct. 27, 1995**

[52] U.S. Cl. .... **D26/28**

[58] Field of Search ..... D26/28-35; 362/61, 362/62, 64, 72, 73, 80, 81, 82, 83, 84

[56] **References Cited**

**U.S. PATENT DOCUMENTS**

D. 280,849	10/1985	Ofield .....	D26/28
D. 281,912	12/1985	Rudd .....	D26/28
D. 302,335	7/1989	Smith et al. ....	D26/28
D. 311,962	11/1990	Huebner .....	D26/28

*Primary Examiner*—Marcus A. Jackson  
*Attorney, Agent, or Firm*—Richard L. Gausewitz

[57] **CLAIM**

The ornamental design for a combination headlight housing and triple tree for motorcycles, as shown and described.

**DESCRIPTION**

FIG. 1 is an isometric view of a combination headlight housing and triple tree for motorcycles, showing my new design;

FIG. 2 is a top plan view thereof;

FIG. 3 is a front elevation thereof;

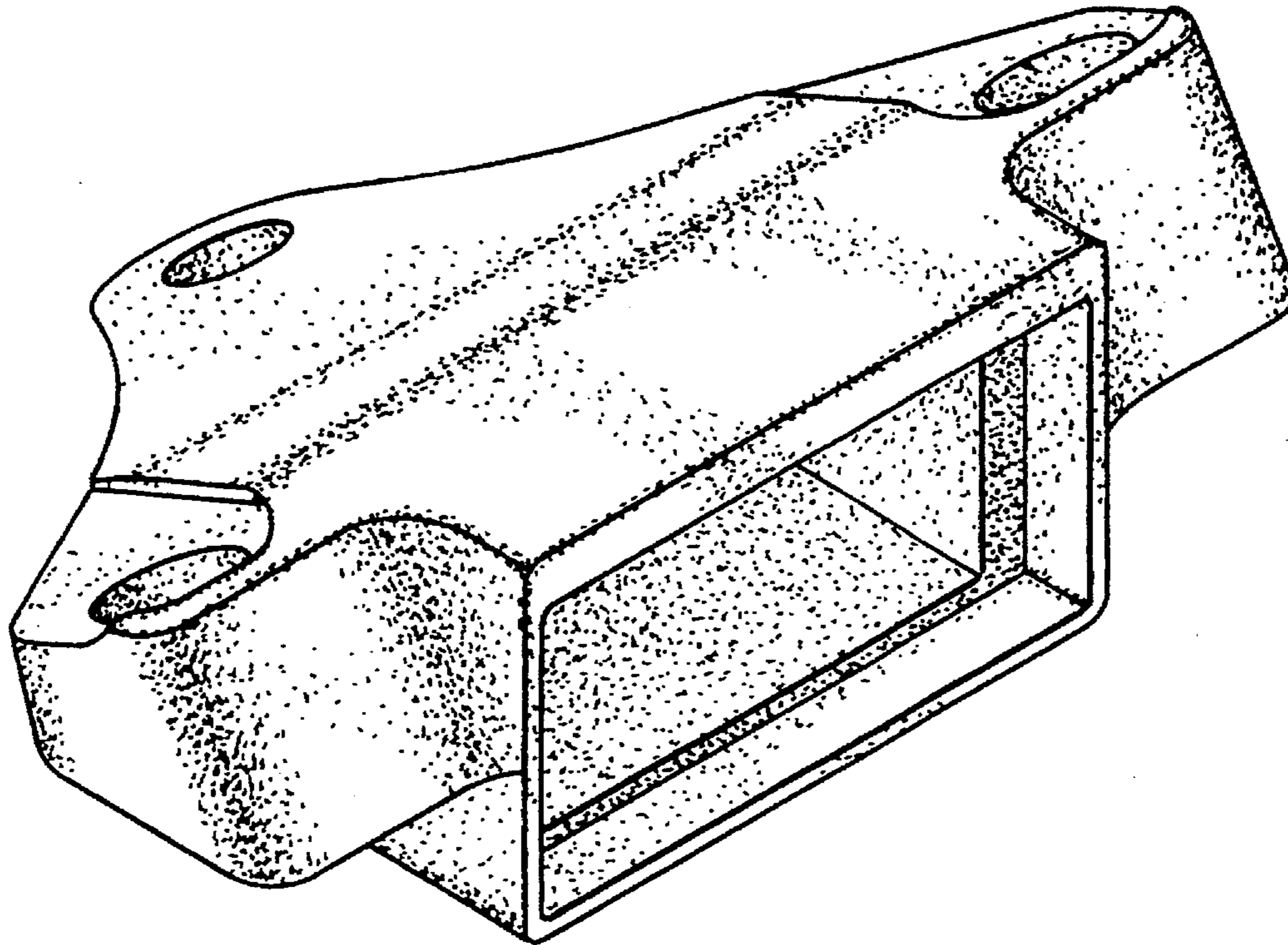
FIG. 4 is a side elevation, showing the side shown in FIG. 1;

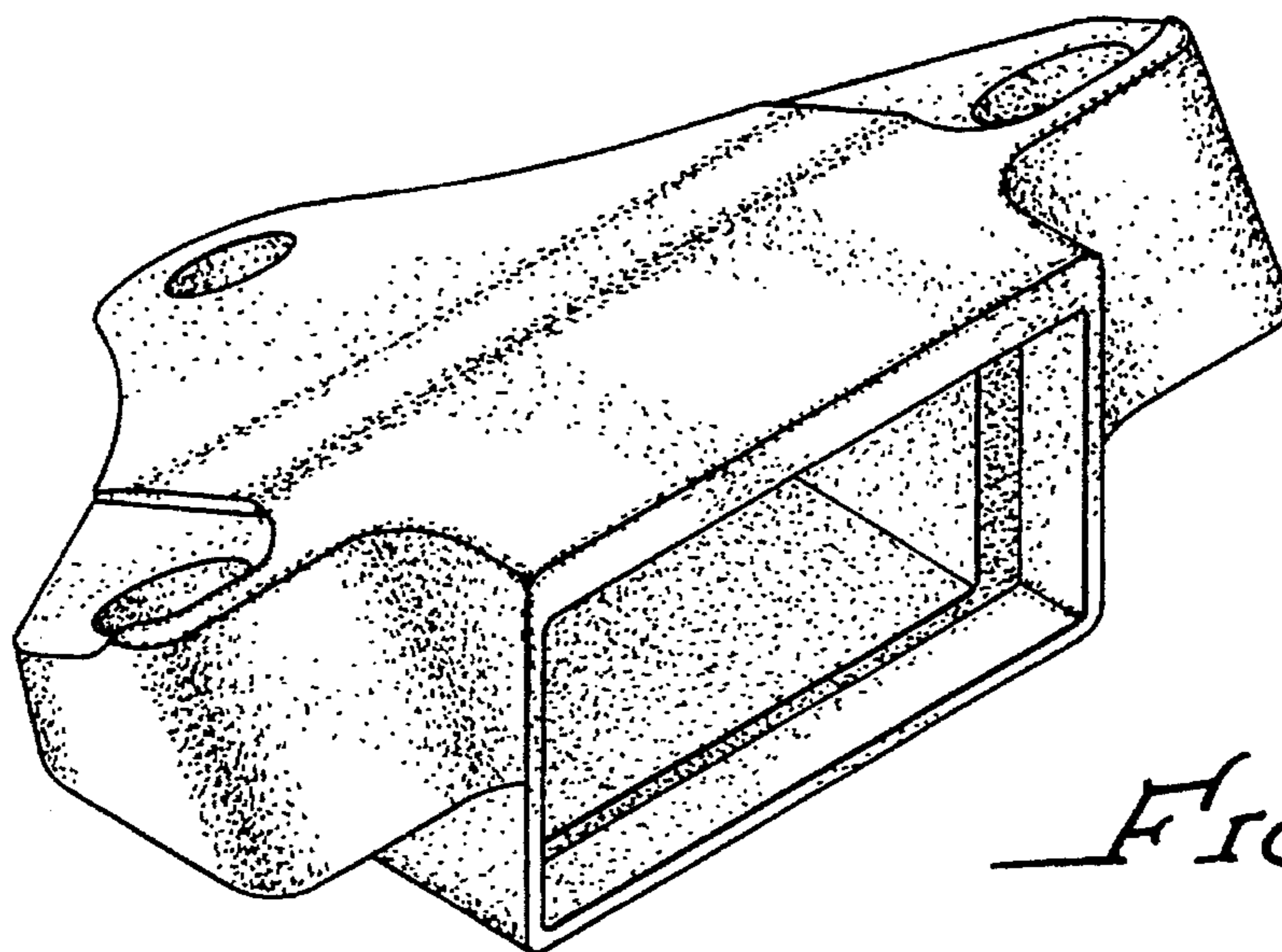
FIG. 5 is a side elevation, showing the side not shown in FIG. 1;

FIG. 6 is a rear elevation; and,

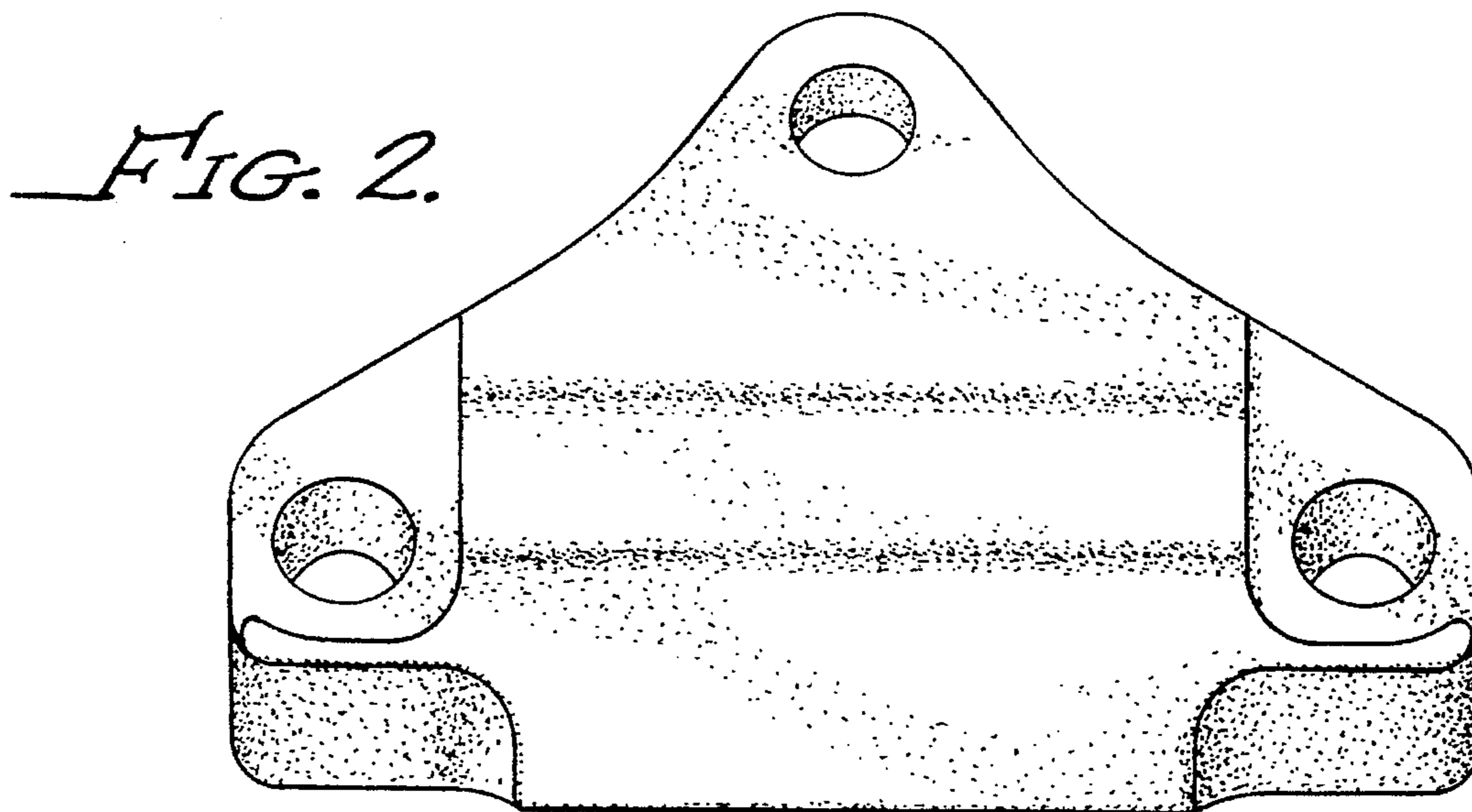
FIG. 7 is a bottom plan view.

**1 Claim, 2 Drawing Sheets**

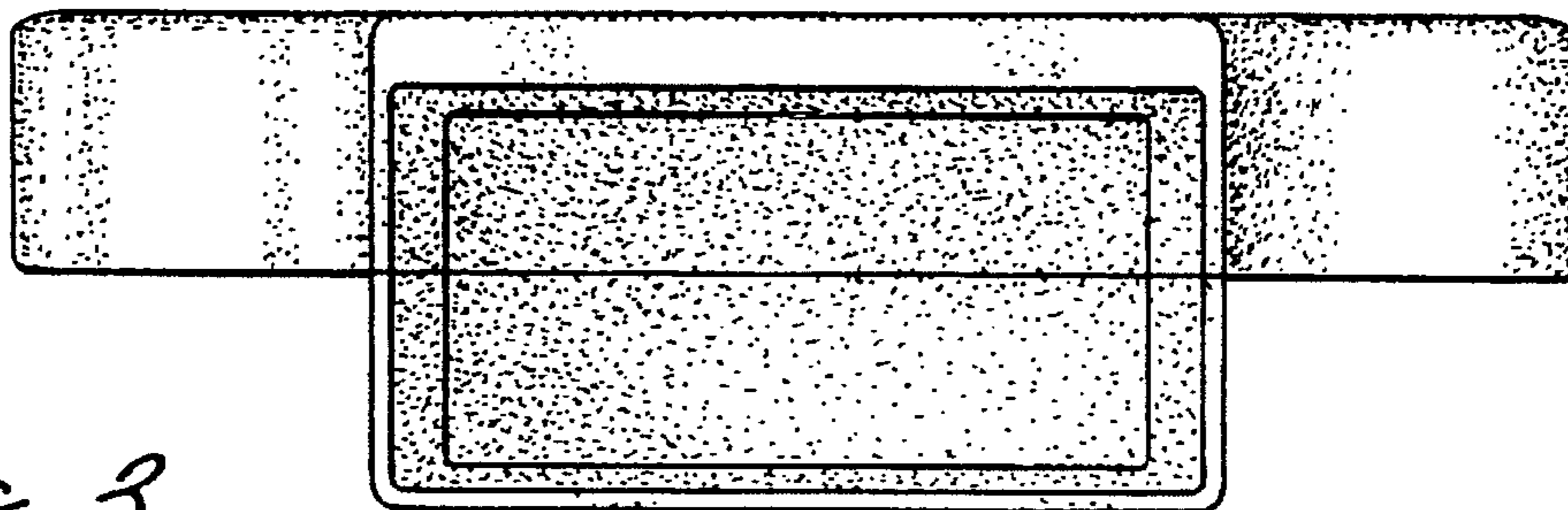




*FIG. 1.*



*FIG. 2.*



*FIG. 3.*

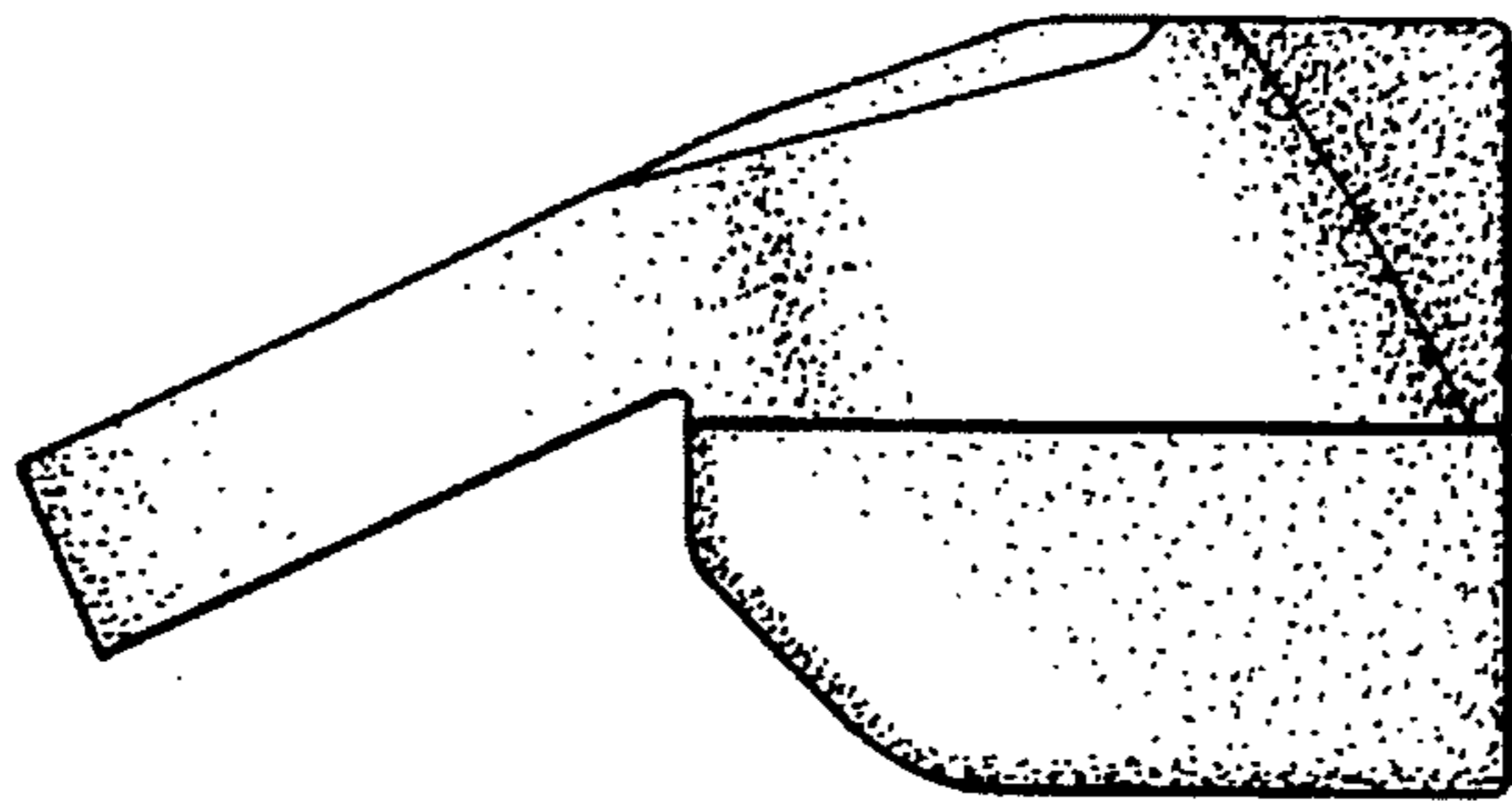


FIG. 4.

FIG. 5.

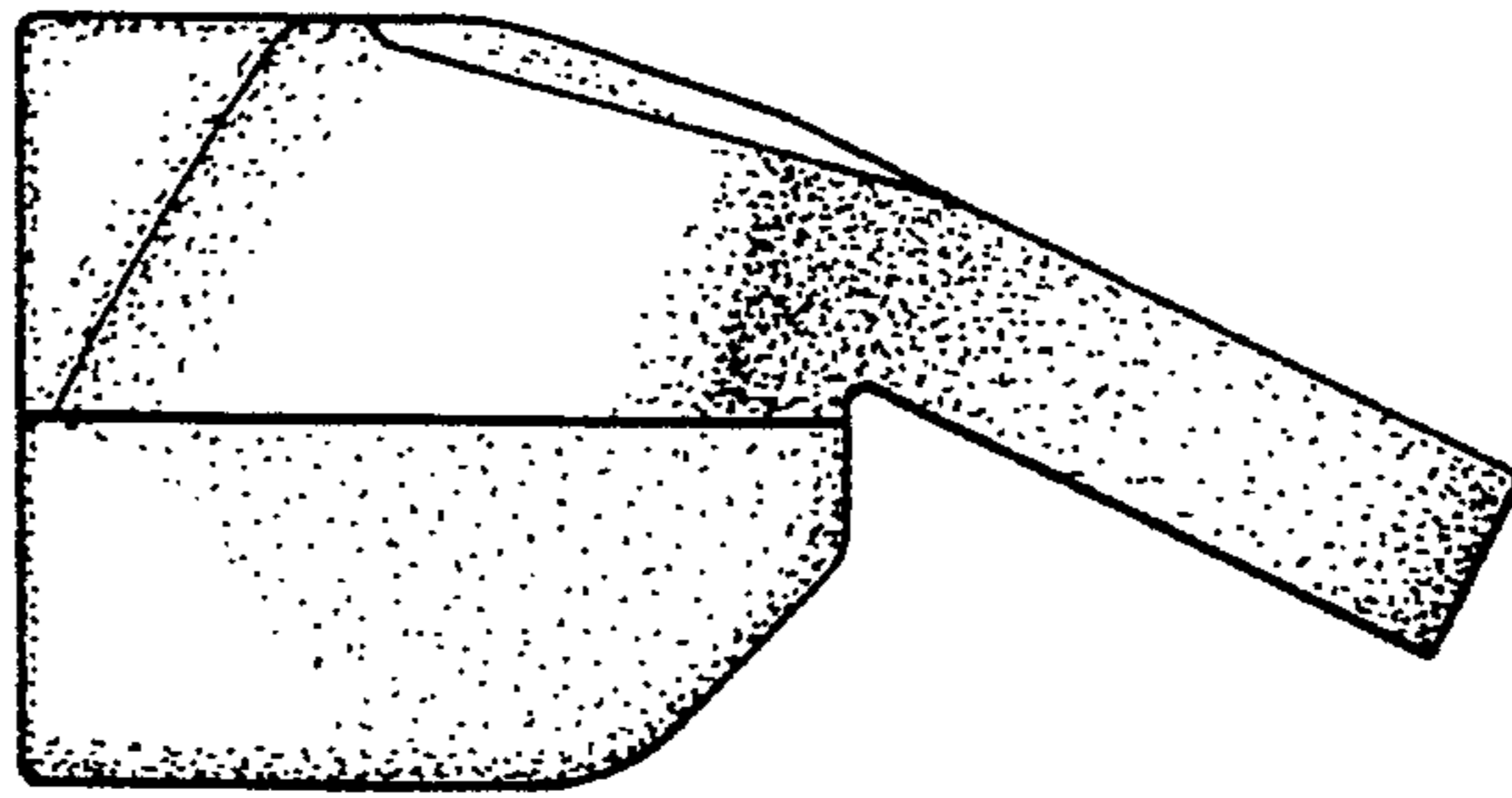


FIG. 6.

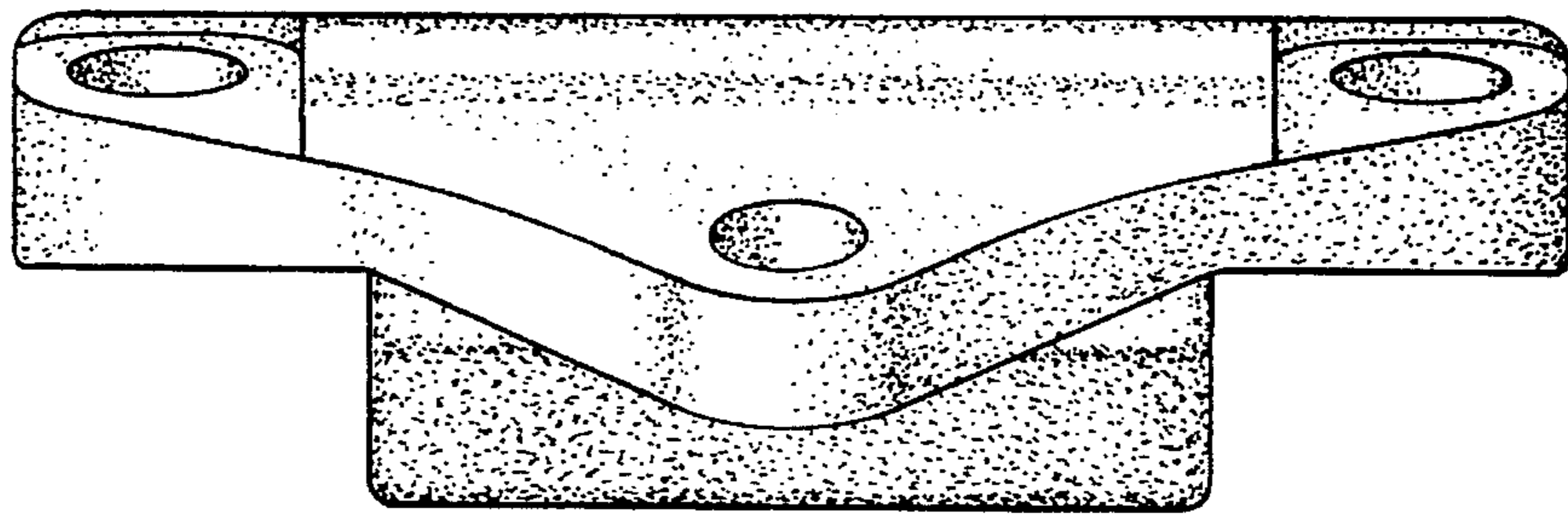


FIG. 7.

