



US00D374725S

United States Patent [19]
Conigliaro

[11] **Patent Number: Des. 374,725**

[45] **Date of Patent: **Oct. 15, 1996**

[54] **DRIVEWAY OBSTRUCTION POST**

4,533,122 8/1985 Bannister 256/1
5,365,695 11/1994 Kjellberg 404/6
5,441,359 8/1995 Filippi 404/6

[76] Inventor: **Simone Conigliaro**, 60-58 68th St.,
Maspeth, N.Y. 11378

Primary Examiner—Doris Clark
Attorney, Agent, or Firm—Nicholas J. Garofalo

[**] Term: **14 Years**

[57] **CLAIM**

[21] Appl. No.: **44,120**

The ornamental design for a driveway obstruction post, as shown.

[22] Filed: **Sep. 18, 1995**

[52] U.S. Cl. **D25/126**

DESCRIPTION

[58] Field of Search D25/126; 49/35,
49/49; 256/1; 404/6, 7

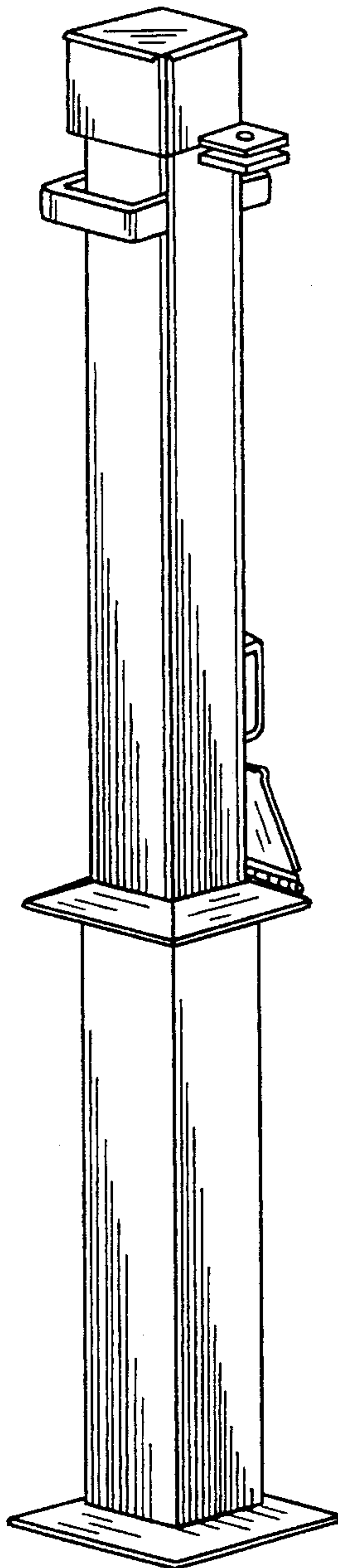
FIG. 1 is a perspective view of a driveway obstruction post showing my new design; and, FIG. 2 is a perspective view thereof looking in a direction opposite to that of FIG. 1.

[56] **References Cited**

U.S. PATENT DOCUMENTS

D. 223,632 5/1972 Seldon D25/126
4,123,183 10/1978 Ryan 256/1

1 Claim, 1 Drawing Sheet



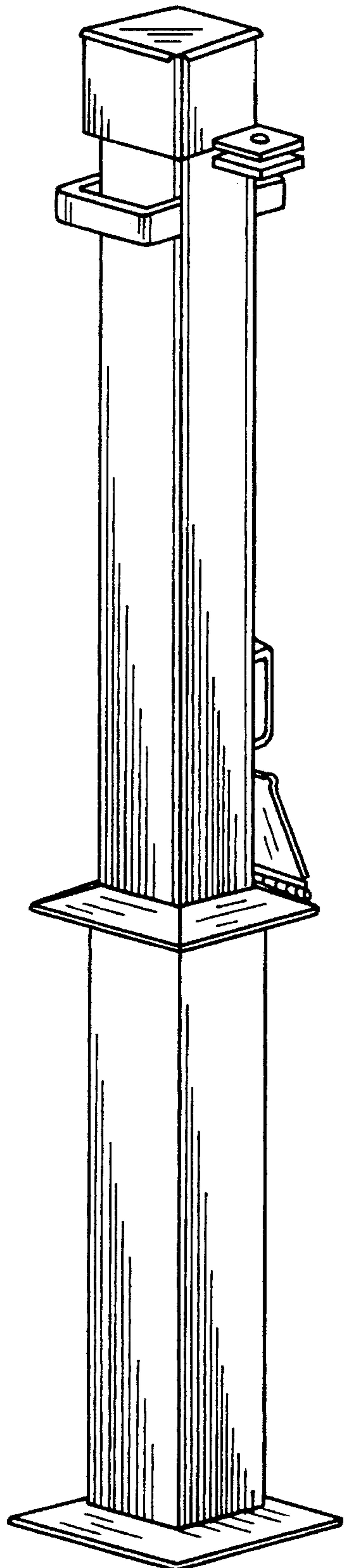


FIG. 1.

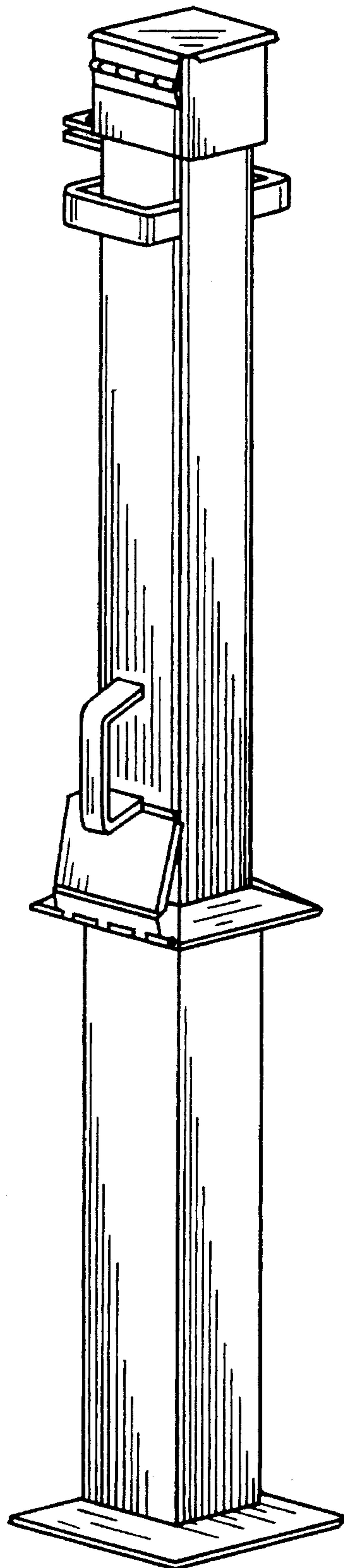


FIG. 2.