



US00D374721S

United States Patent [19] Harvey

[11] Patent Number: **Des. 374,721**

[45] Date of Patent: ****Oct. 15, 1996**

[54] **FOOT WARMER ACCESSORY FOR BEDS**

[76] Inventor: **Steven J. Harvey**, 490 E. 1850 North,
North Ogden, Utah 84414

[**] Term: **14 Years**

[21] Appl. No.: **36,679**

[22] Filed: **Mar. 24, 1995**

[52] U.S. Cl. **D24/206**

[58] Field of Search D24/206; 607/111,
607/107; 219/217, 211, 520; 5/421, 284

[56] **References Cited**

U.S. PATENT DOCUMENTS

1,701,973	2/1929	Gehrs	607/111 X
3,713,182	1/1973	McNeal	5/421
4,491,721	1/1985	Davis	219/217
5,251,347	10/1993	Hopper et al.	607/111 X

Primary Examiner—Stella Reid
Attorney, Agent, or Firm—Harold H. Dutton, Jr.; Diane S. Liebman; W. Charles L. Jamison

[57] **CLAIM**

The ornamental design for a foot warmer accessory for beds, as shown.

DESCRIPTION

FIG. 1 is a perspective view of a foot warmer accessory for beds showing my new design; FIG. 2 is a front view thereof; FIG. 3 is a rear view thereof; FIG. 4 is a left side view thereof; FIG. 5 is a right side view thereof; FIG. 6 is a top view thereof; and, FIG. 7 is a bottom view thereof.

1 Claim, 4 Drawing Sheets

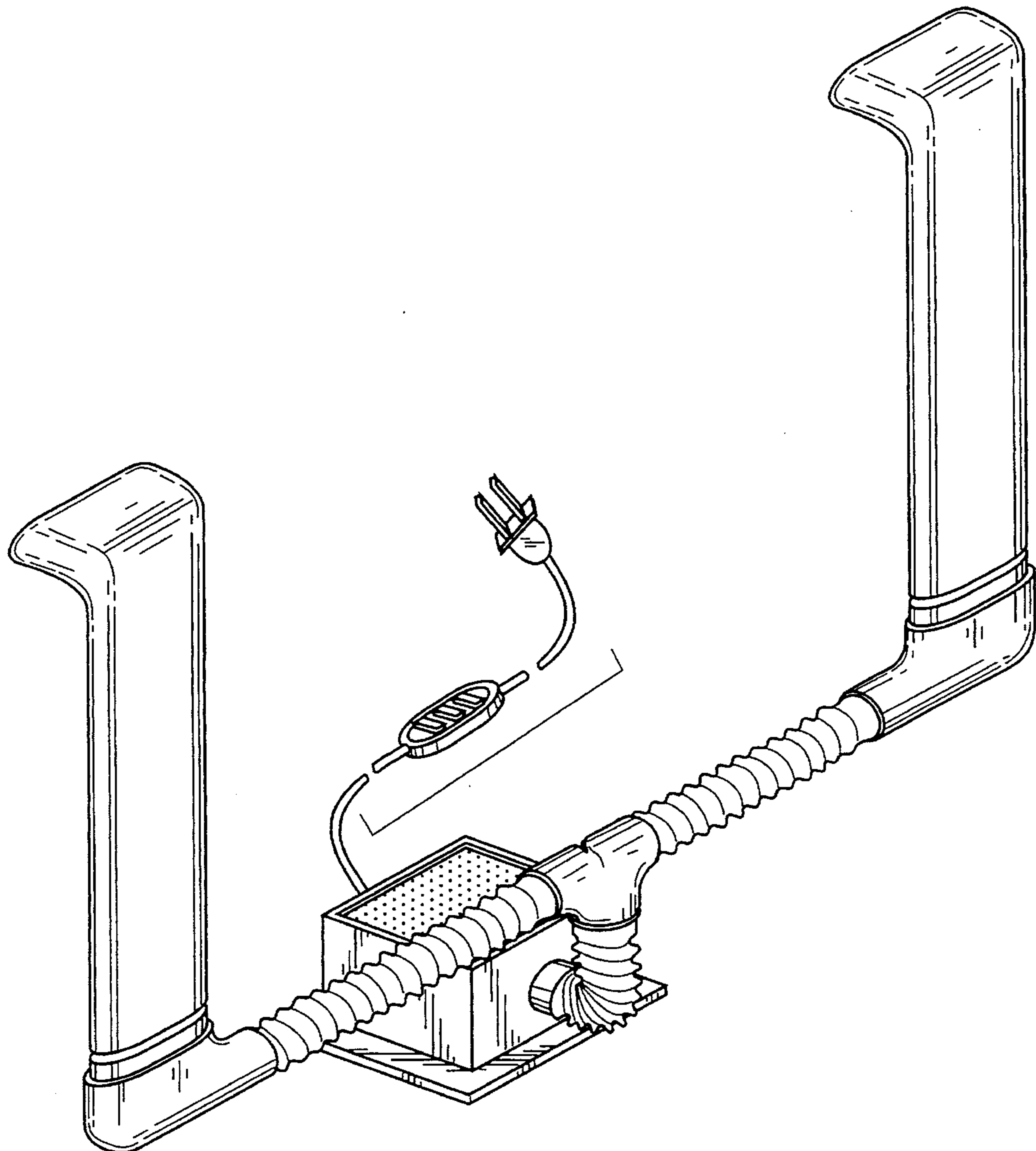


FIG. 1

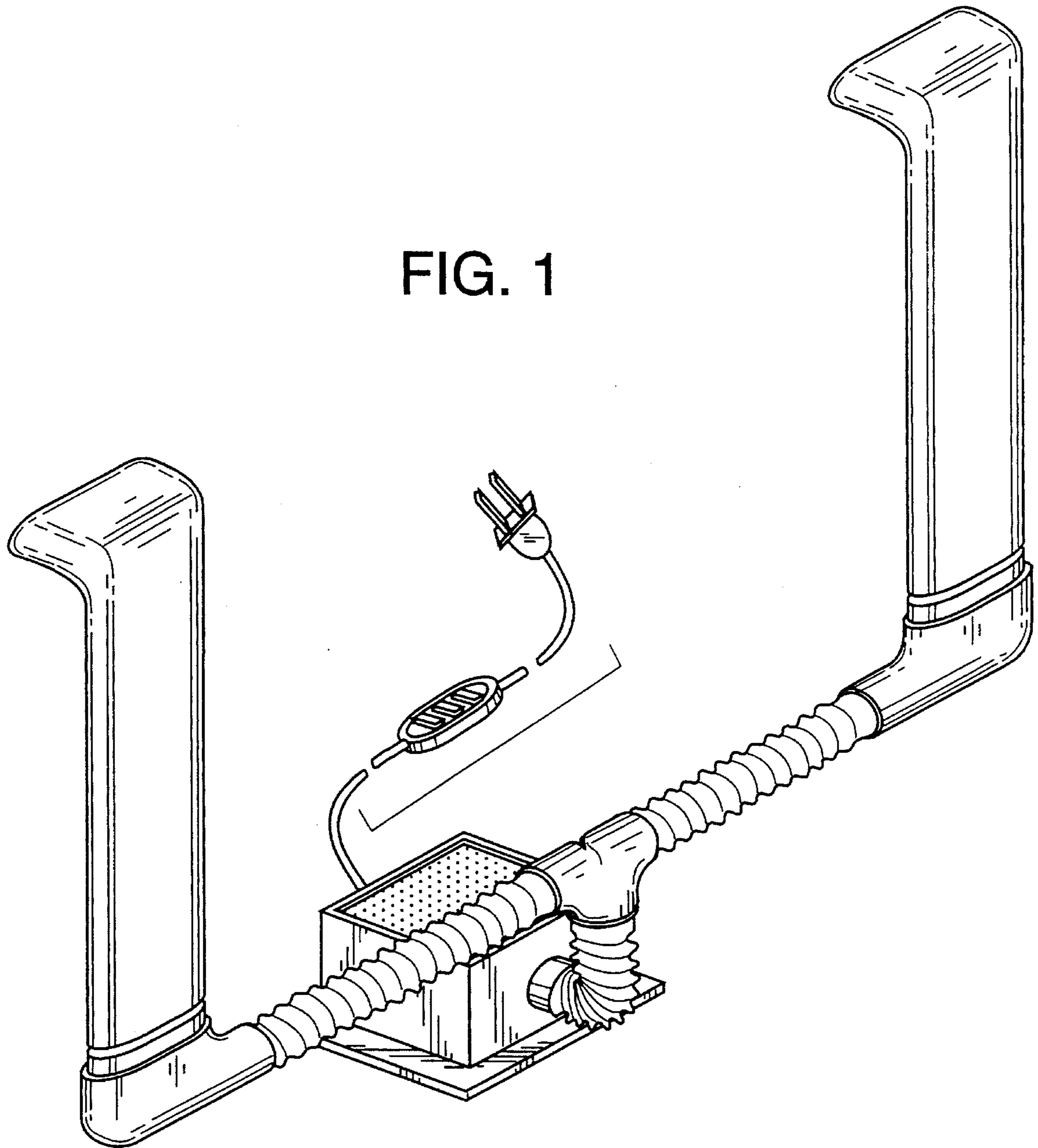


FIG. 2

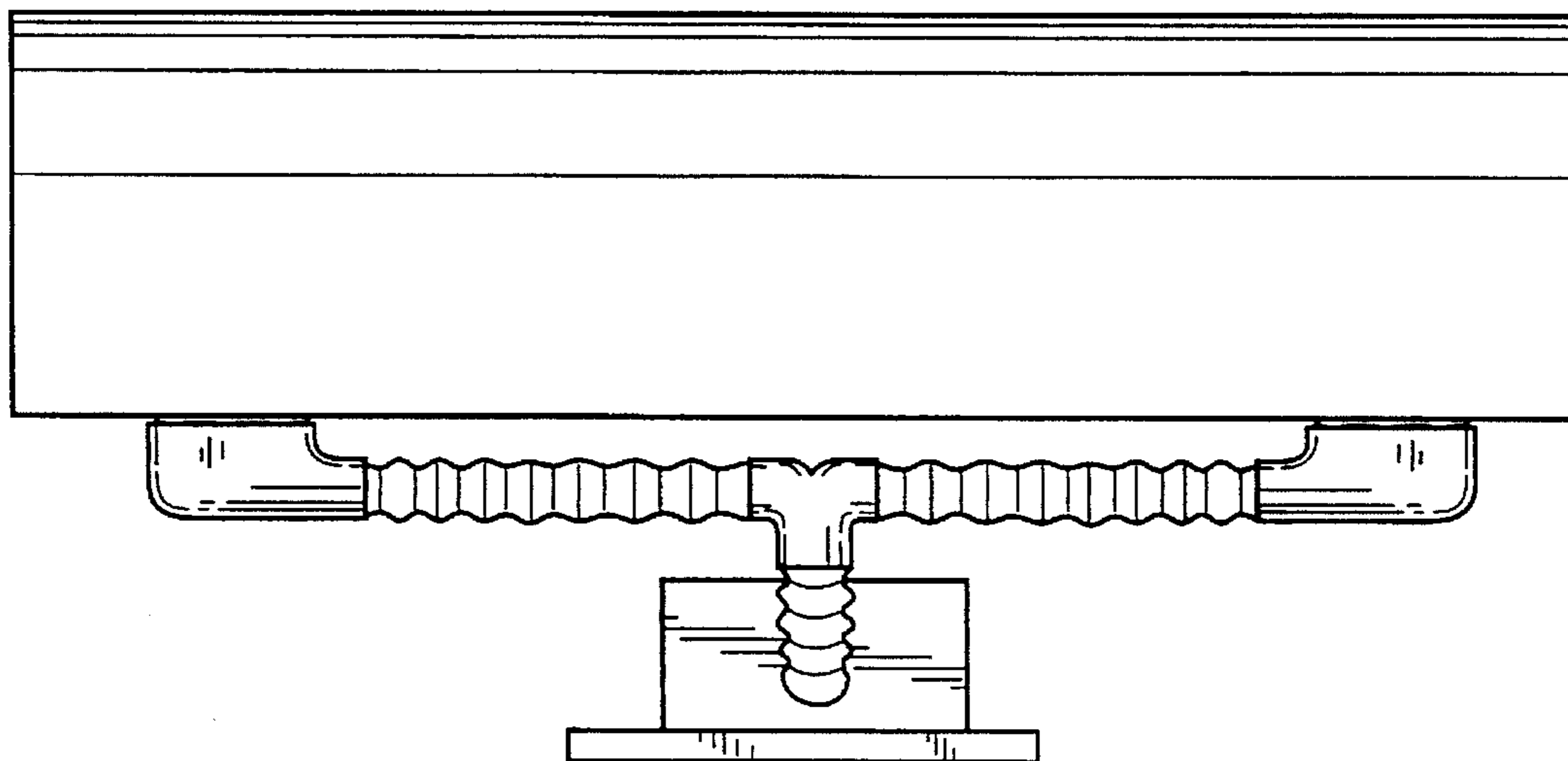
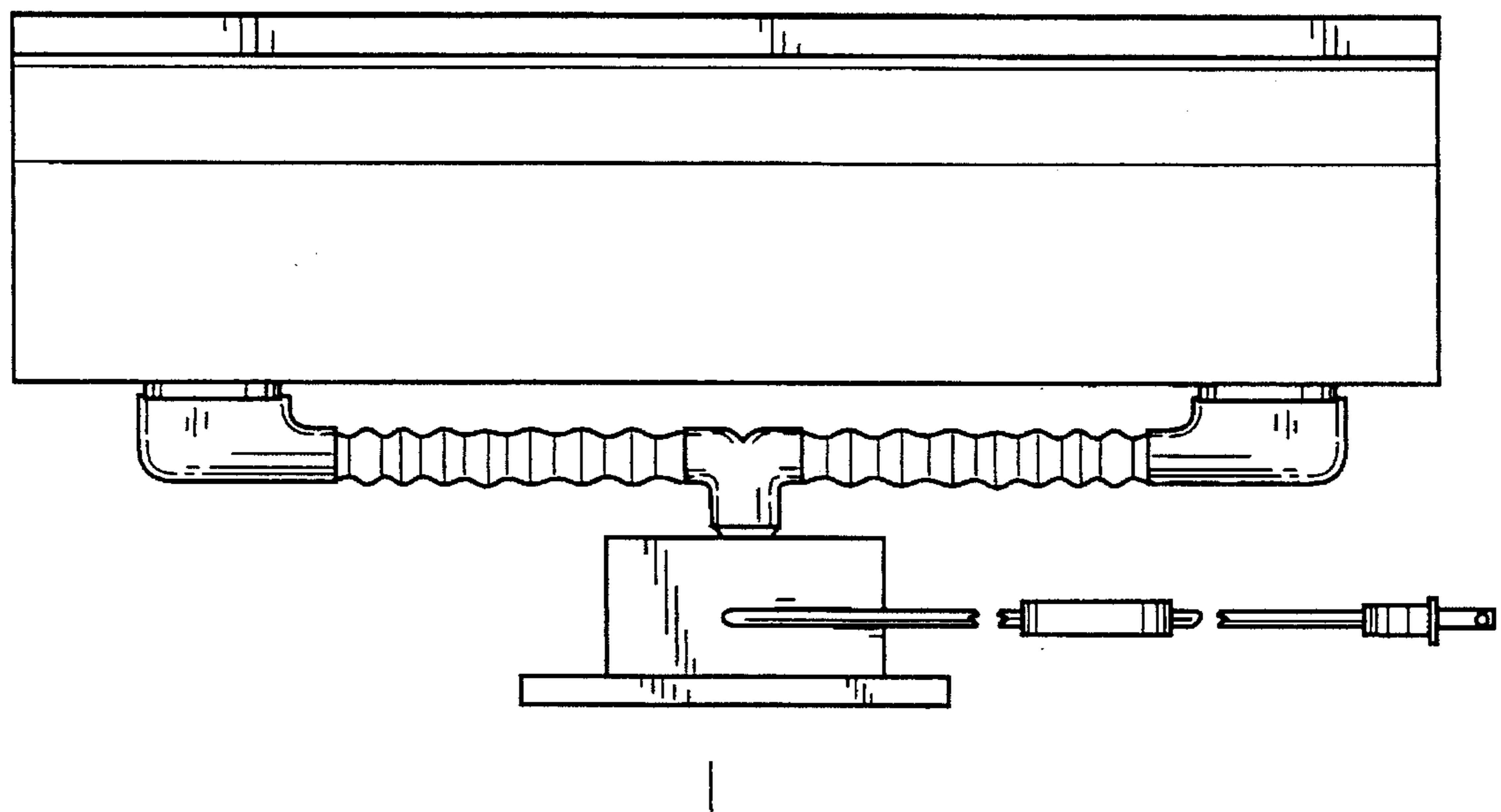


FIG. 3



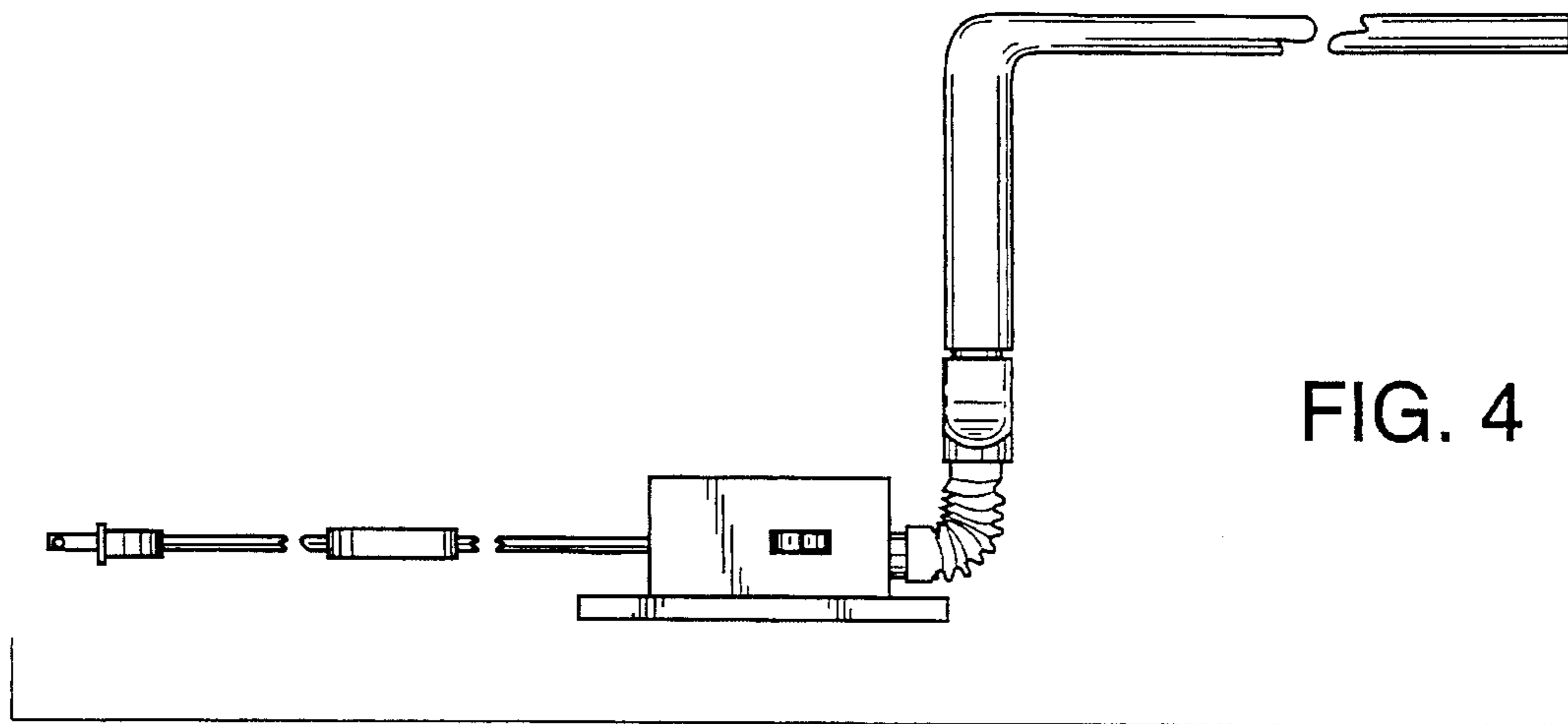


FIG. 4

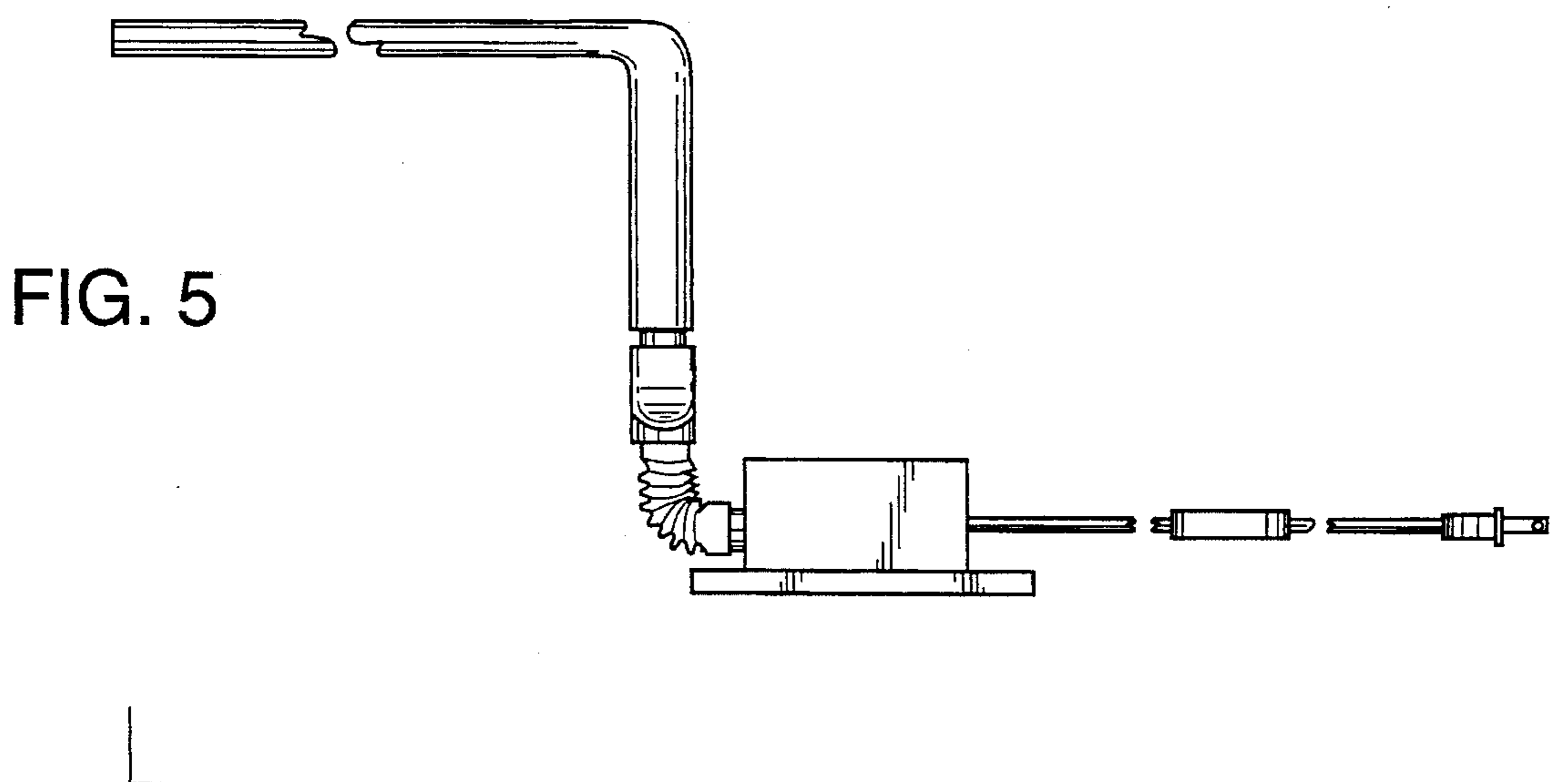


FIG. 5

FIG. 6

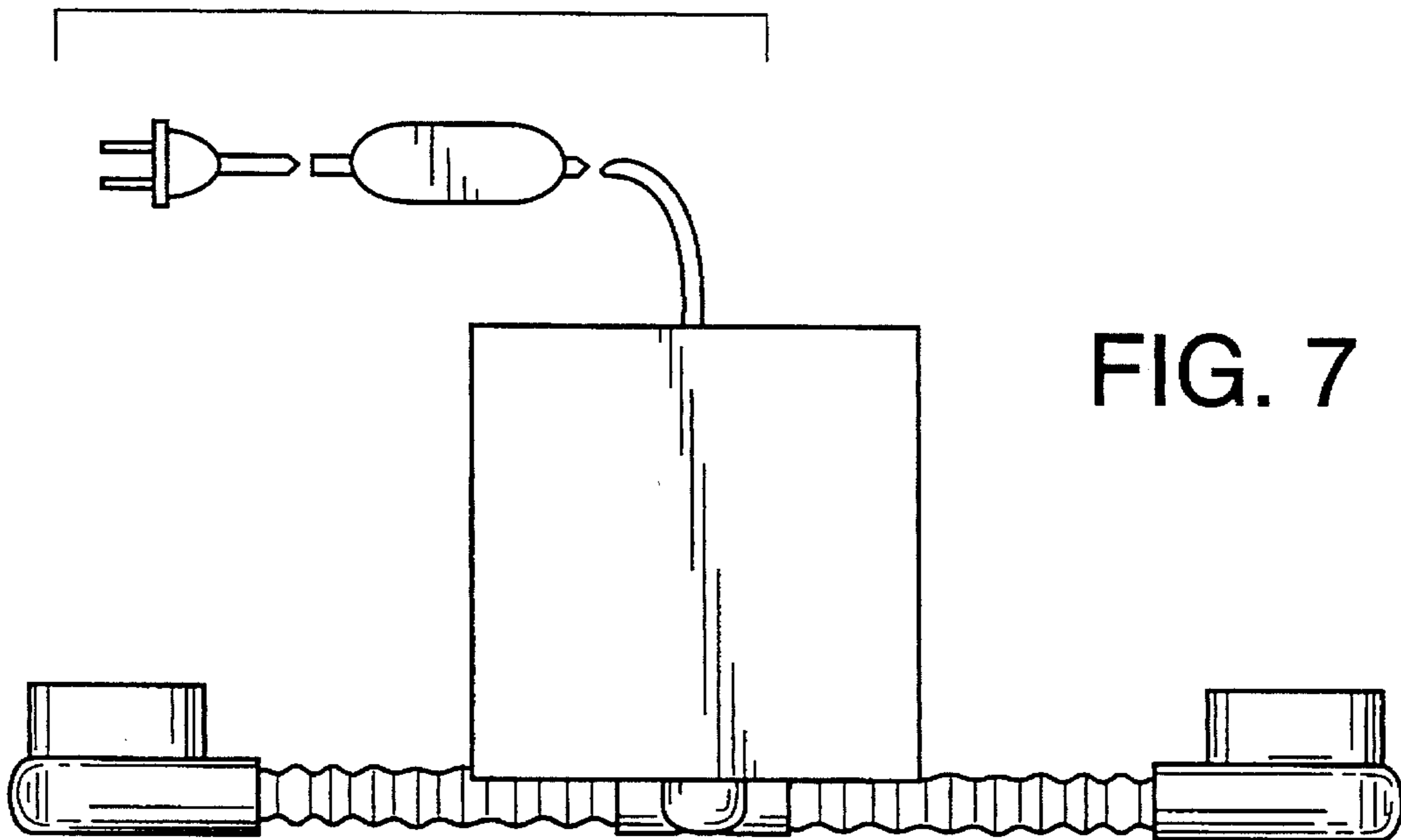
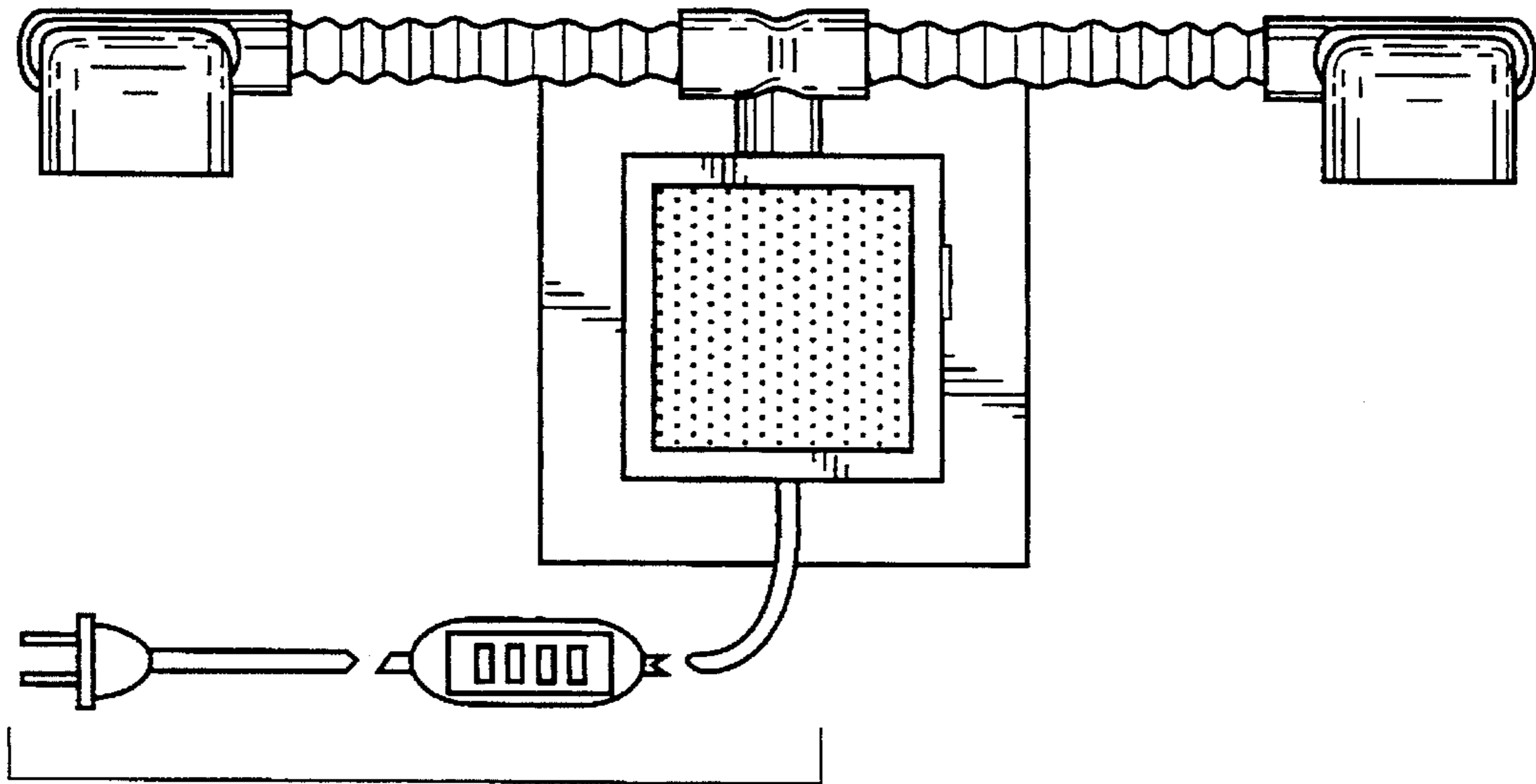


FIG. 7