



US00D374720S

United States Patent [19]
Lukaszewski

[11] **Patent Number: Des. 374,720**
[45] **Date of Patent: **Oct. 15, 1996**

[54] **OPHTHALMIC REFRACTOR**

5,278,593 1/1994 Nielson et al. 351/234 X

[76] **Inventor: Ernest J. Lukaszewski**, 11192 Winde
La., Lancaster, N.Y. 14086

Primary Examiner—Stella Reid

[**] **Term: 14 Years**

[57] **CLAIM**

The ornamental design for an ophthalmic refractor, as shown.

[21] **Appl. No.: 40,020**

[22] **Filed: Jun. 8, 1995**

[52] **U.S. Cl. D24/172**

[58] **Field of Search D24/172; 351/234,
351/235, 233**

DESCRIPTION

FIG. 1 is a front perspective view of an ophthalmic refractor, showing my new design;
FIG. 2 is a front elevational view thereof;
FIG. 3 is a right side elevational view thereof;
FIG. 4 is a rear elevational view thereof;
FIG. 5 is a left side elevational view thereof;
FIG. 6 is a top plan view thereof; and,
FIG. 7 is a bottom plan view thereof.

[56] **References Cited**

U.S. PATENT DOCUMENTS

D. 344,587	2/1994	Burton et al.	D24/172
D. 365,149	12/1995	Burton et al.	D24/172
4,606,624	8/1986	Wood	351/234
4,820,040	4/1989	Sims	351/234

1 Claim, 4 Drawing Sheets

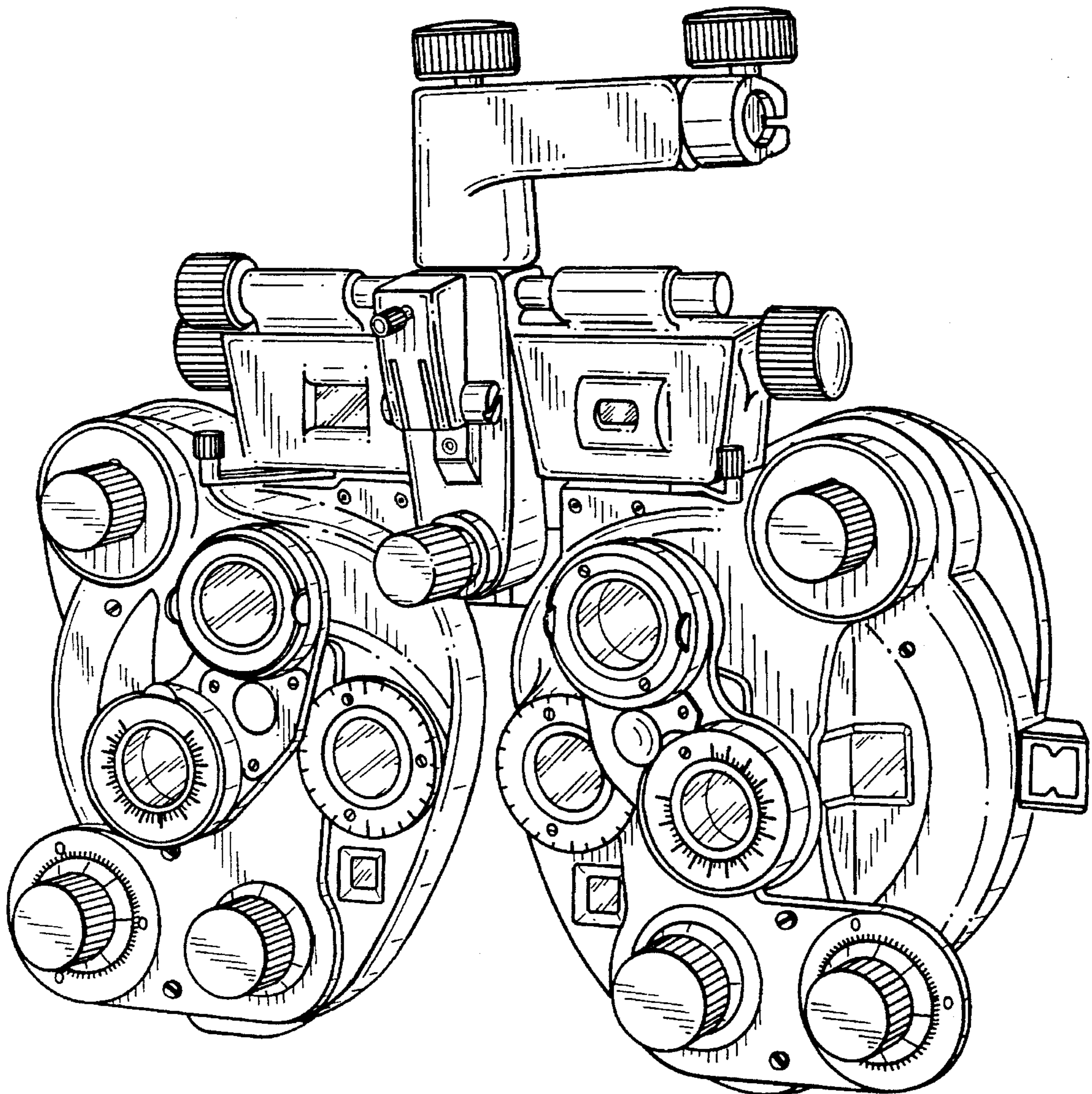


FIG. 1

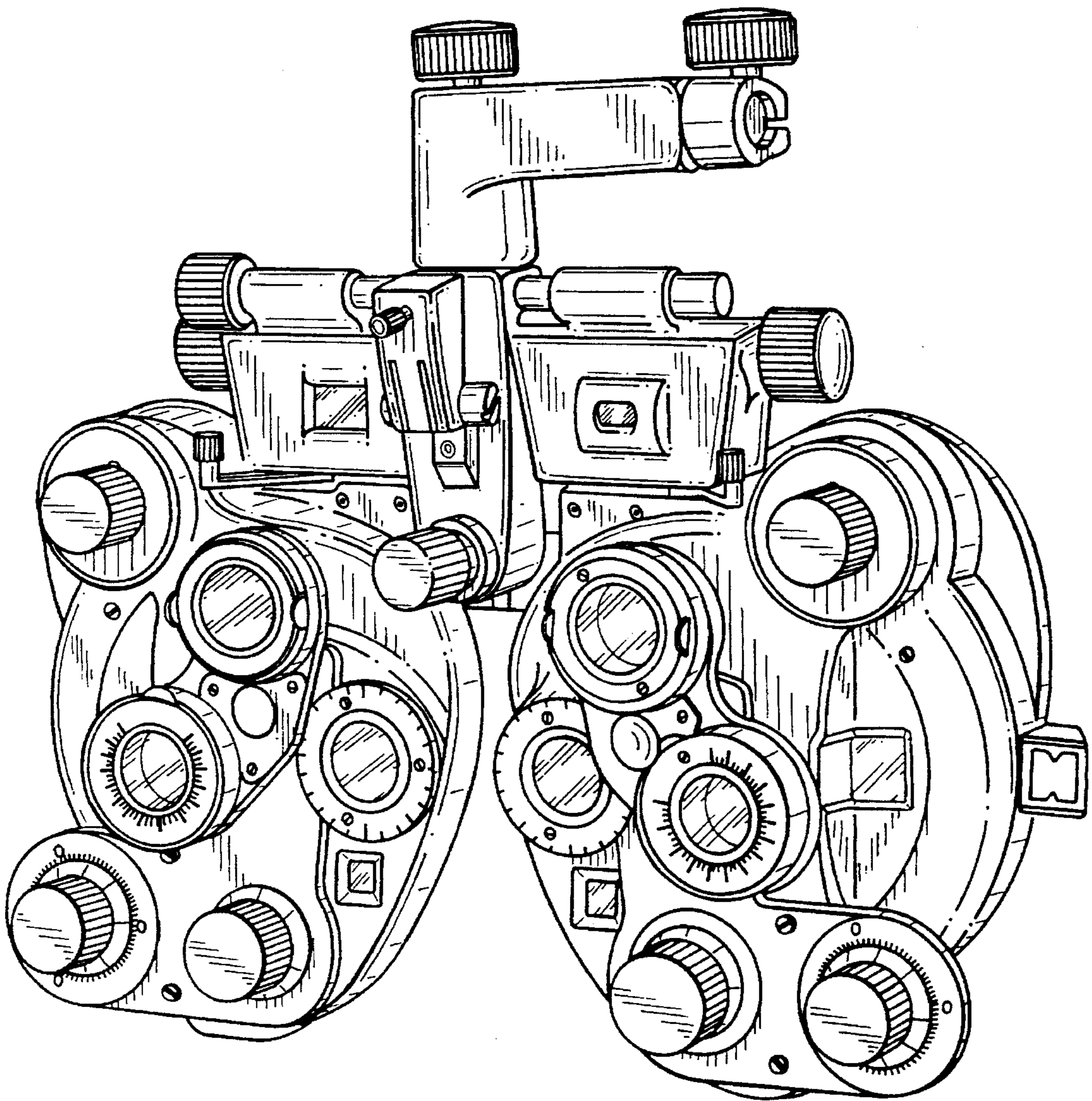


FIG. 3

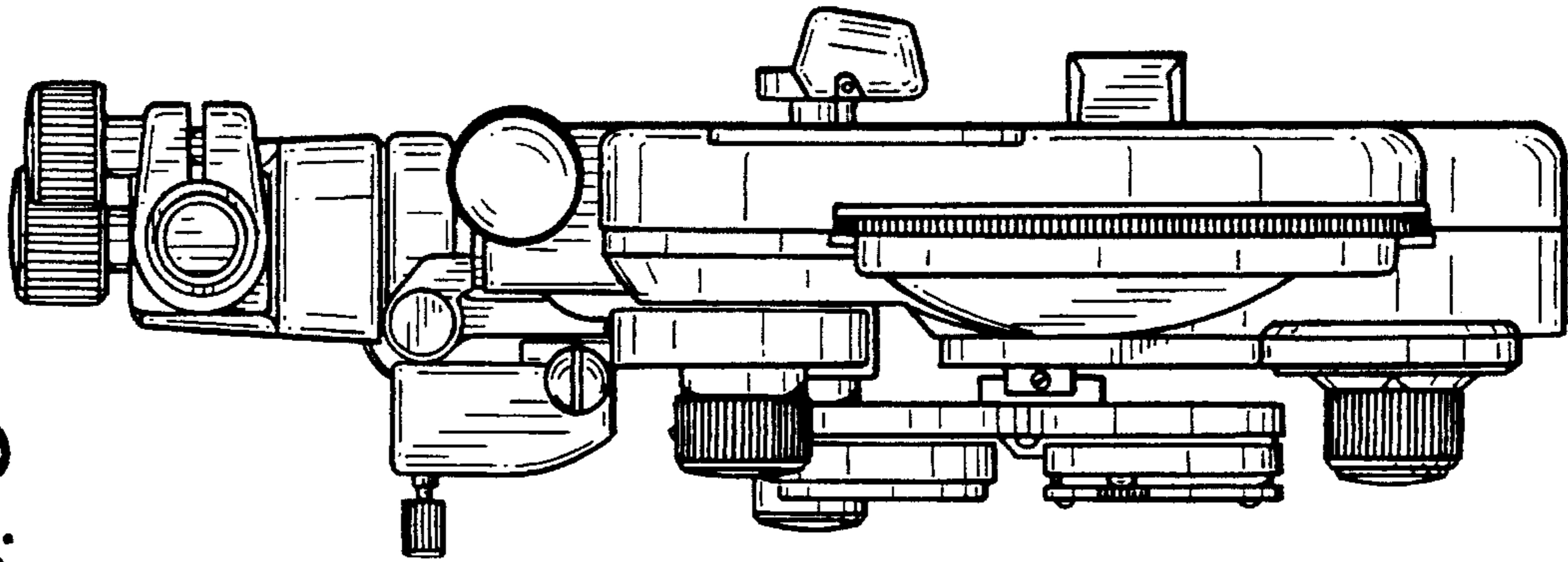


FIG. 2

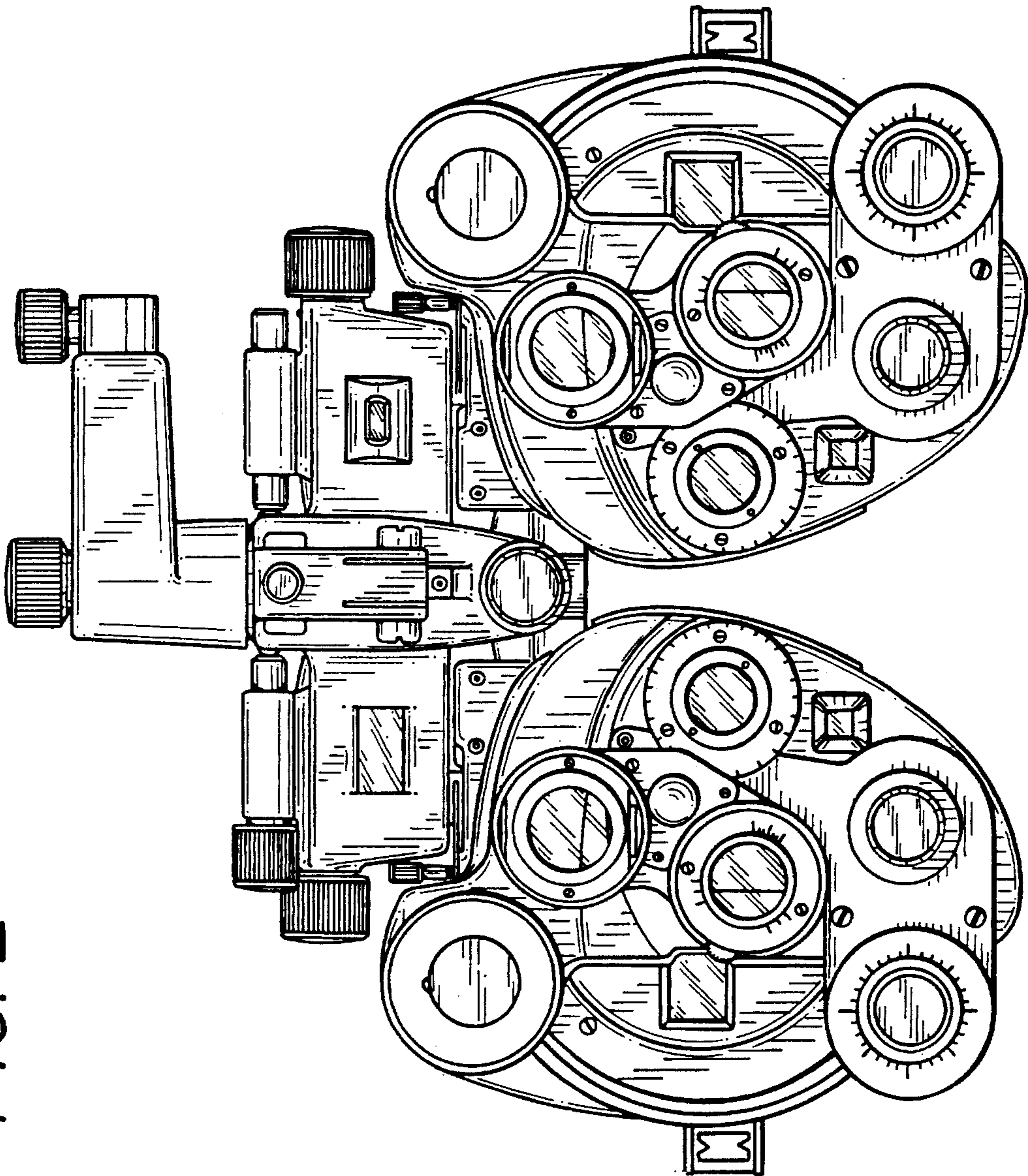


FIG.-5

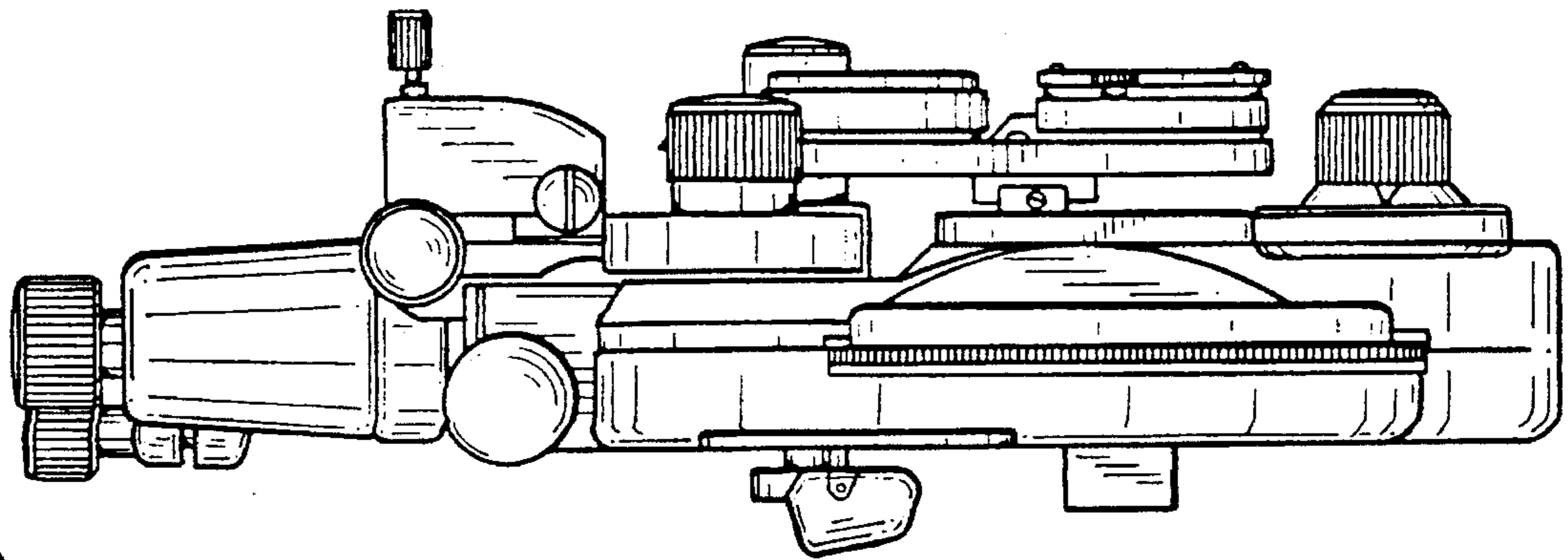
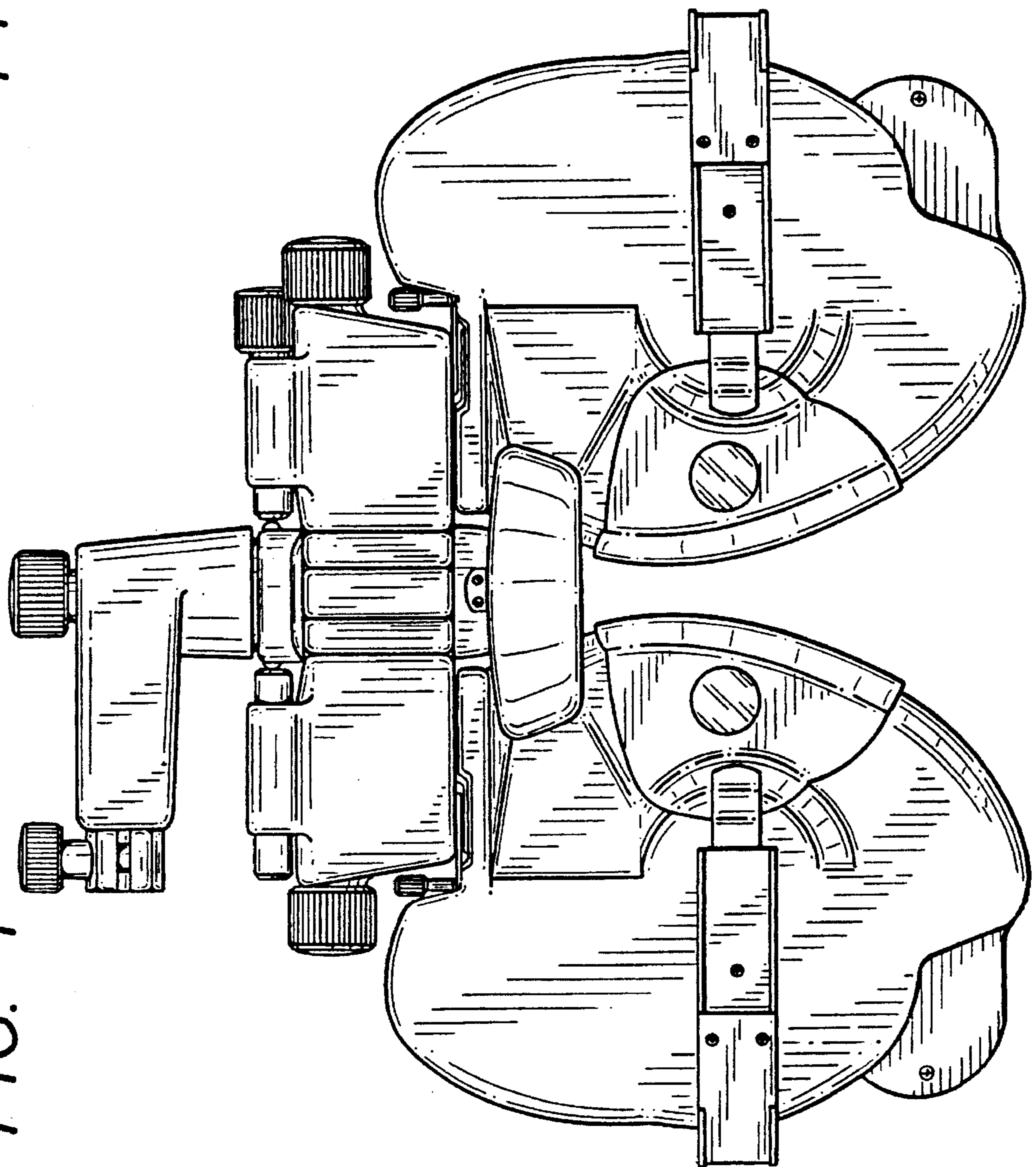


FIG. 4



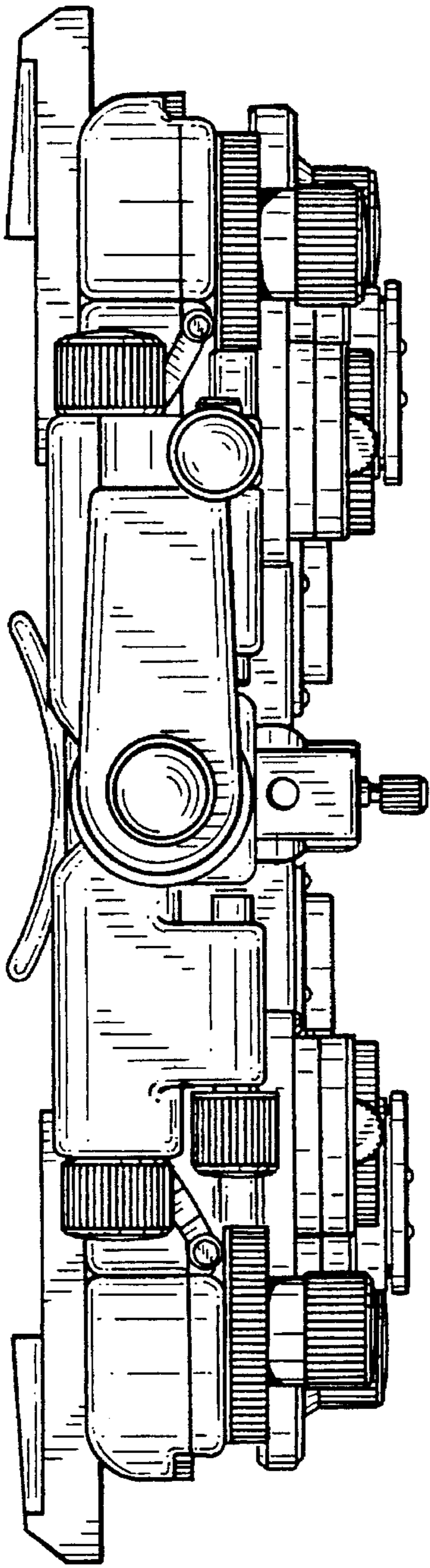


FIG. 6

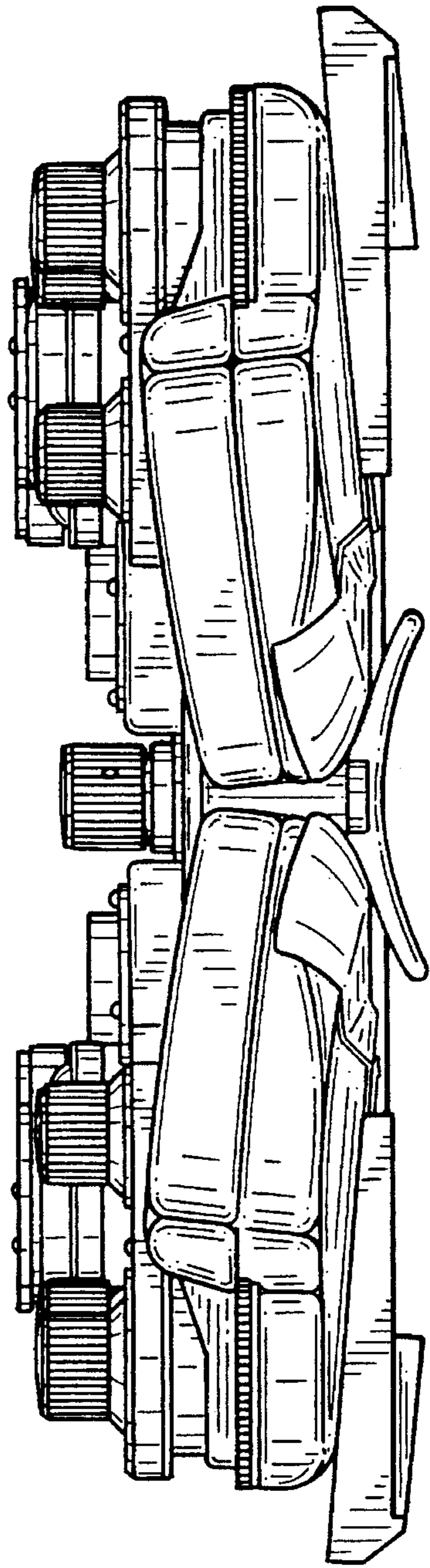


FIG. 7