



US00D374719S

United States Patent [19]

Py

[11] Patent Number: **Des. 374,719**

[45] Date of Patent: ****Oct. 15, 1996**

[54] **EYE MEDICATION APPLICATOR**

[76] Inventor: **Daniel Py**, Self-Instill, B.P. 268, 78108 Saint Germain-en-Laye Cedex, France

[**] Term: **14 Years**

[21] Appl. No.: **40,633**

[22] Filed: **Jun. 22, 1995**

[52] U.S. Cl. **D24/120; D24/113**

[58] Field of Search D24/113, 120, D24/115; 604/294, 295, 300, 302, 297; 222/420

[56] **References Cited**

U.S. PATENT DOCUMENTS

3,170,462	2/1965	Hull	D24/113	X
4,946,452	8/1990	Py	604/295	X
5,201,726	4/1993	Kirkham	604/294	
5,267,986	12/1993	Py	604/294	
5,401,259	3/1995	Py	604/294	

Primary Examiner—Louis S. Zarfaz

Assistant Examiner—I. Simmons
Attorney, Agent, or Firm—Kenyon & Kenyon

[57] **CLAIM**

The ornamental design for an eye medication applicator, as shown and described.

DESCRIPTION

FIG. 1 is a perspective view of an eye medication applicator embodying my new design, with the window shown in open position;

FIG. 2 is a front elevational view thereof;

FIG. 3 is a rear elevational view thereof;

FIG. 4 is a side elevational view thereof;

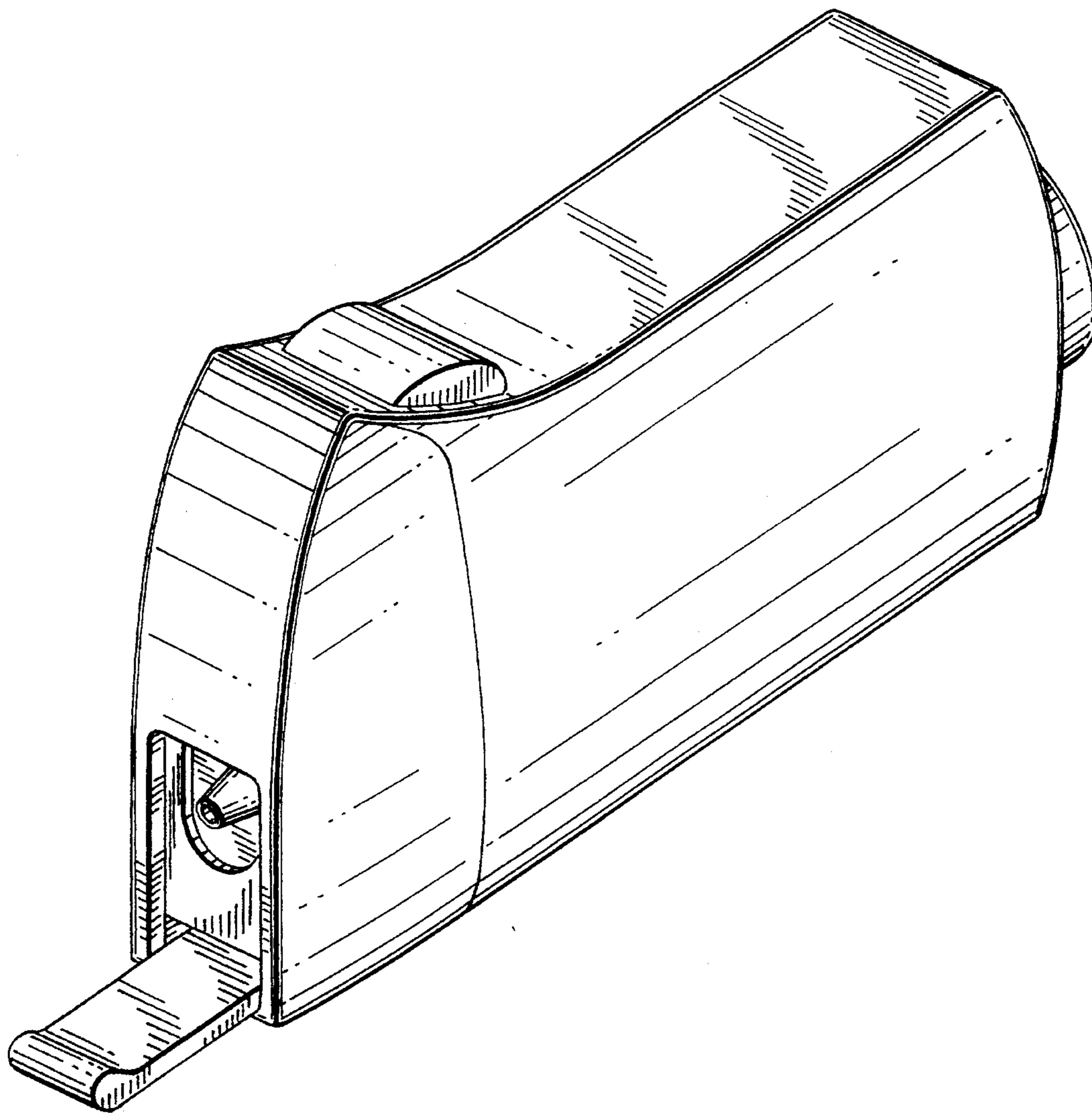
FIG. 5 is a side elevational view thereof, opposite that shown in FIG. 4;

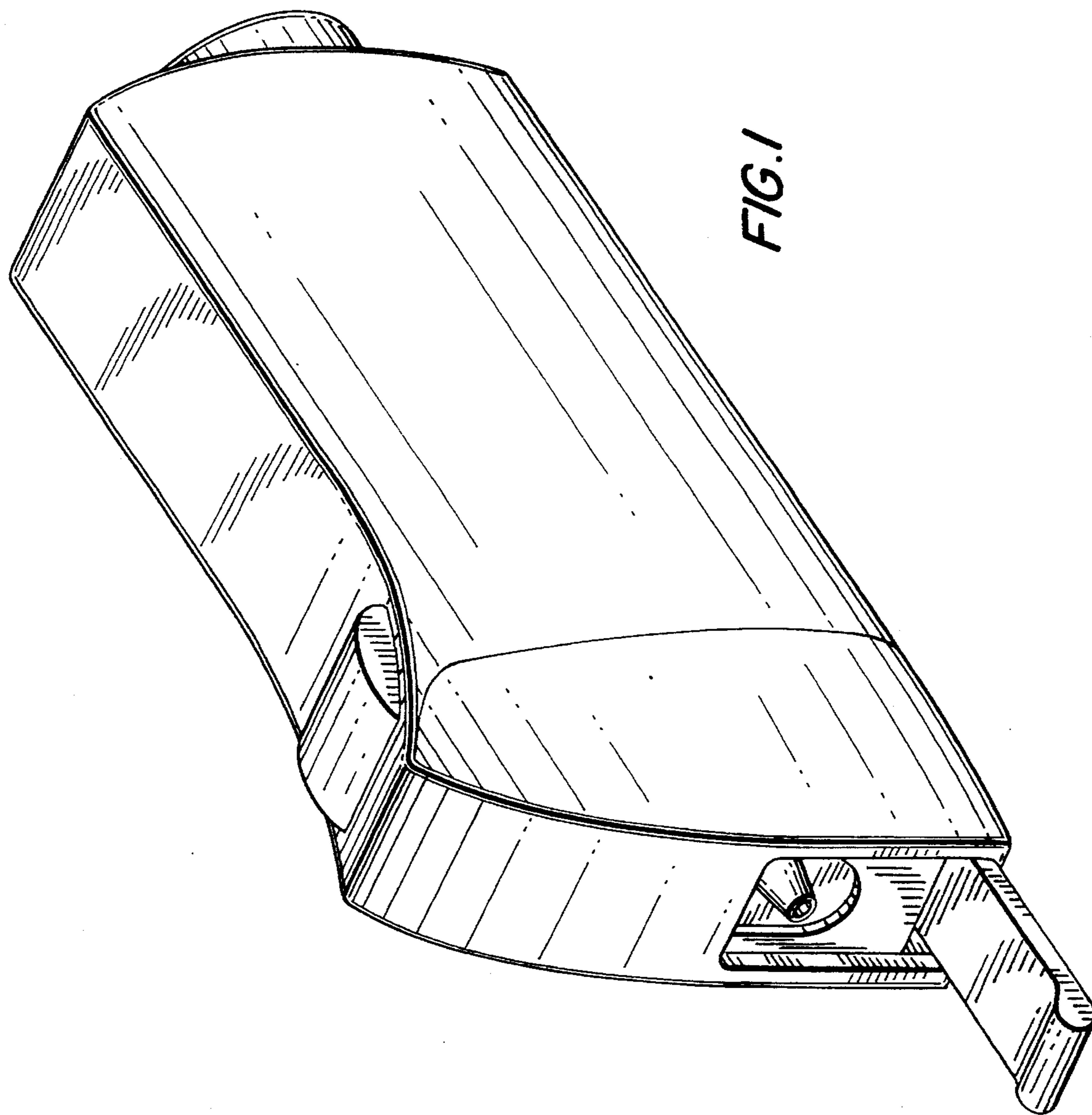
FIG. 6 is a top plan view thereof;

FIG. 7 is a bottom plan view thereof; and,

FIG. 8 is a perspective view of an eye medication applicator embodying my new design, with the window shown in closed position.

1 Claim, 6 Drawing Sheets





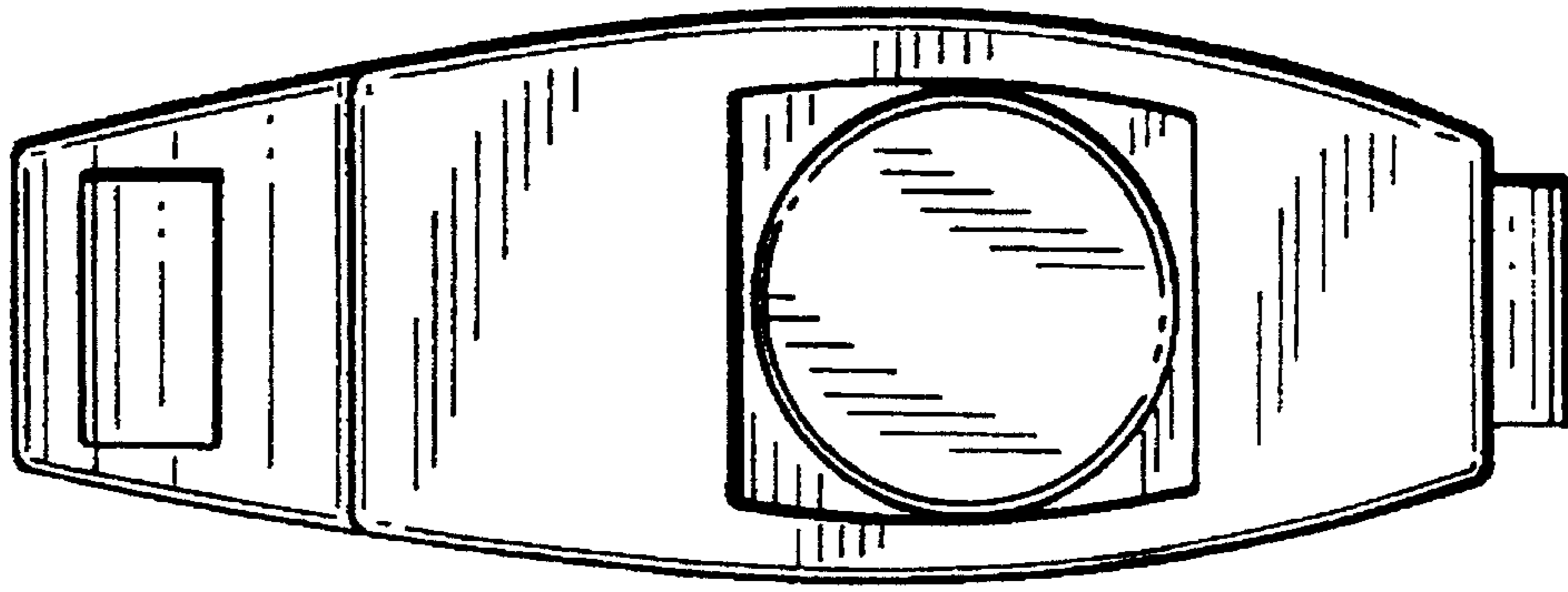


FIG. 3

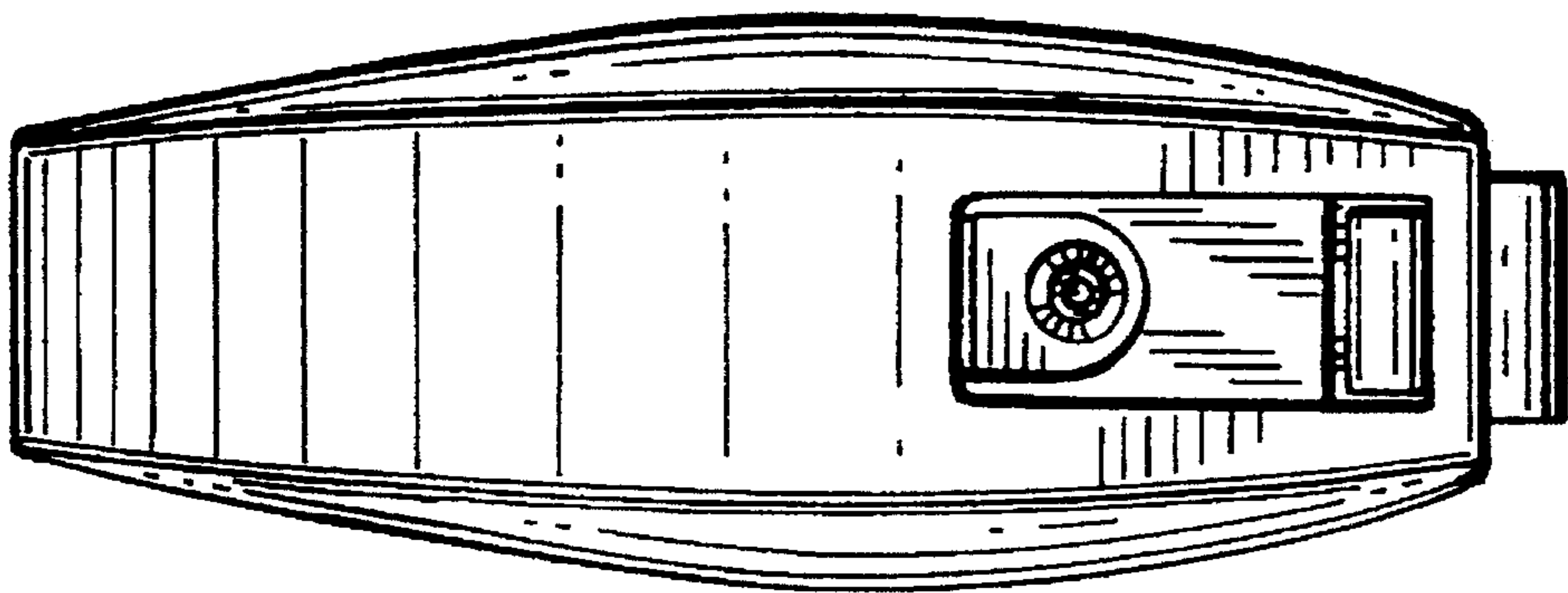


FIG. 2

FIG. 4

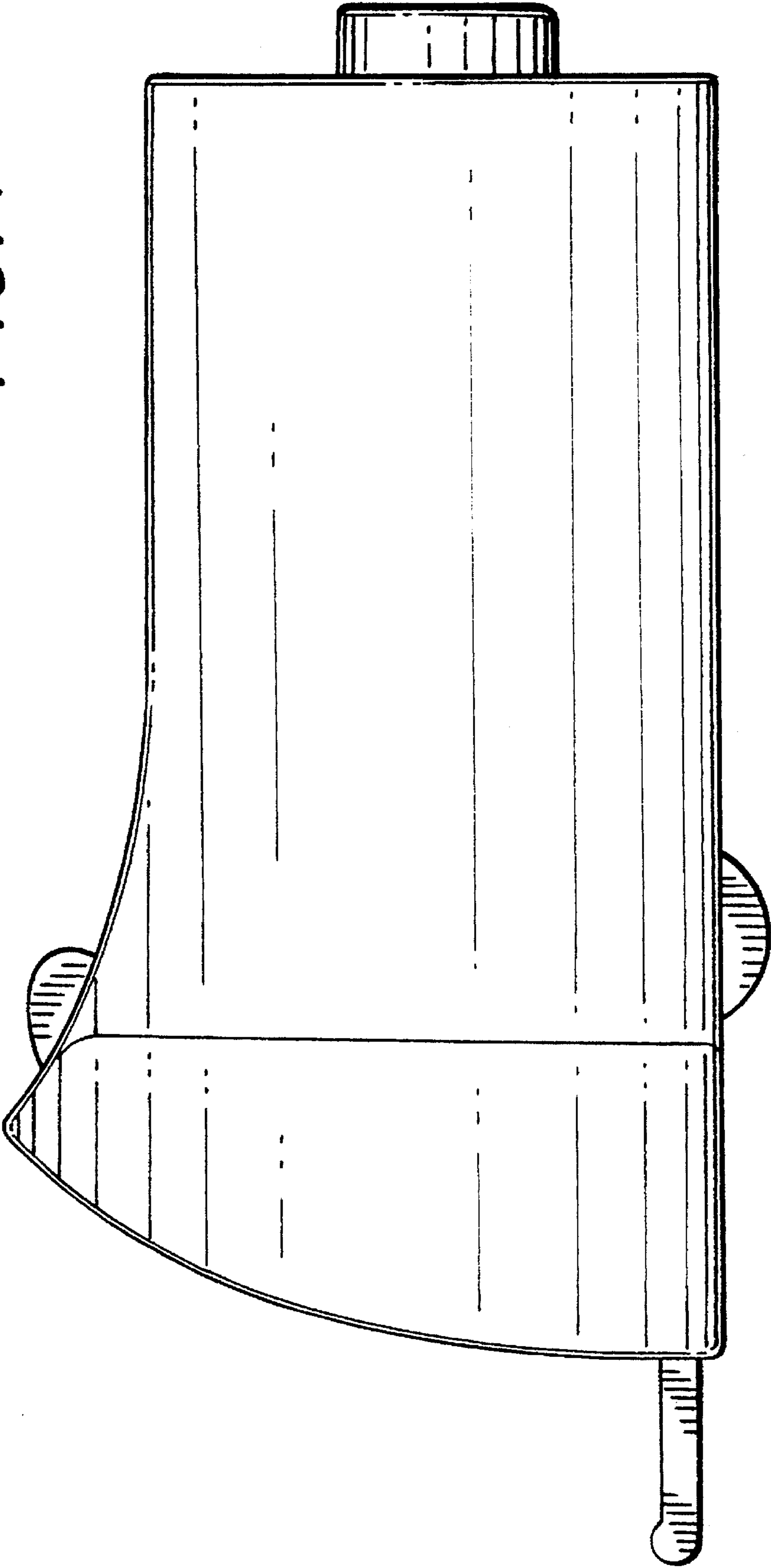


FIG. 5

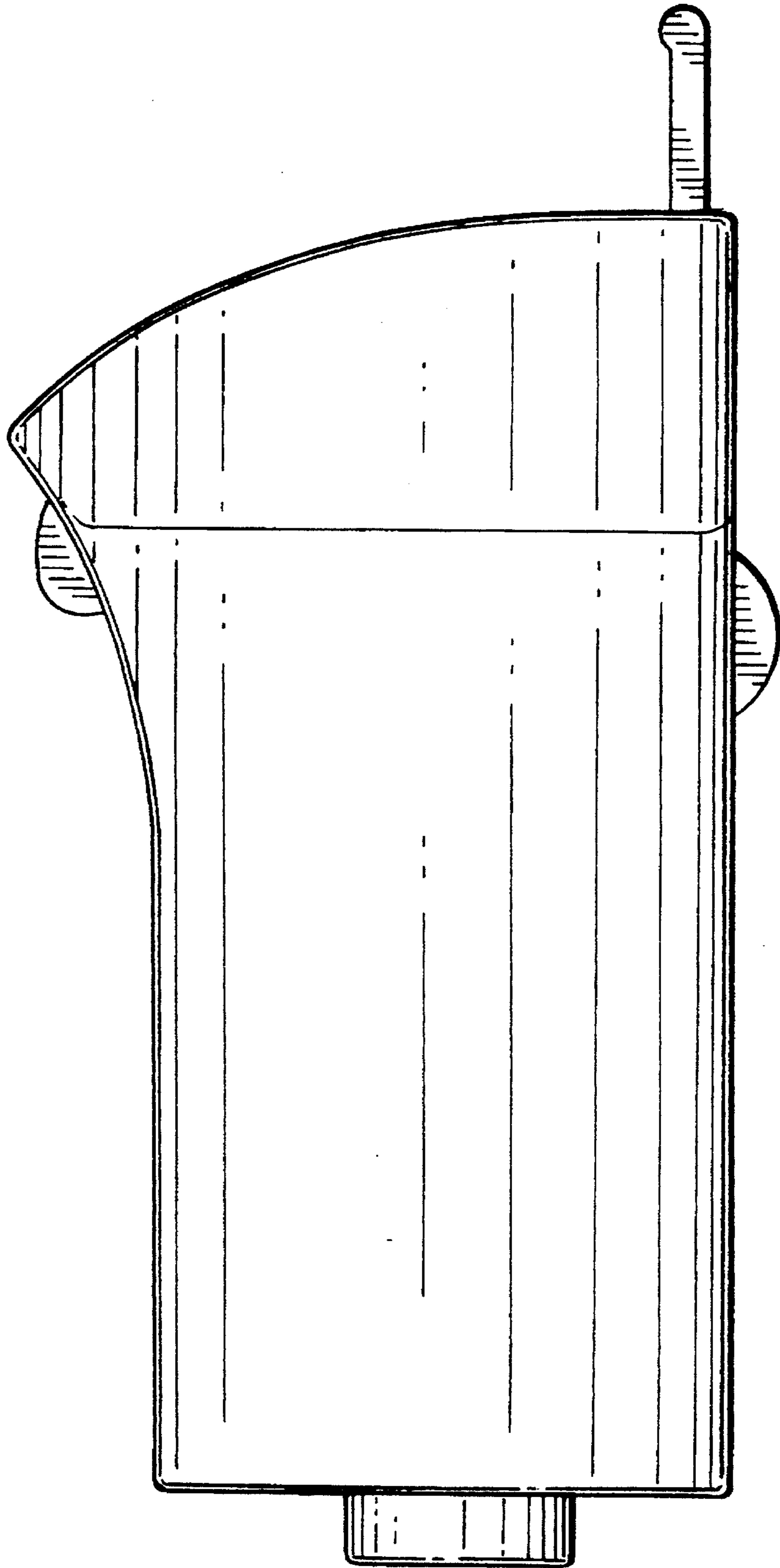


FIG. 6

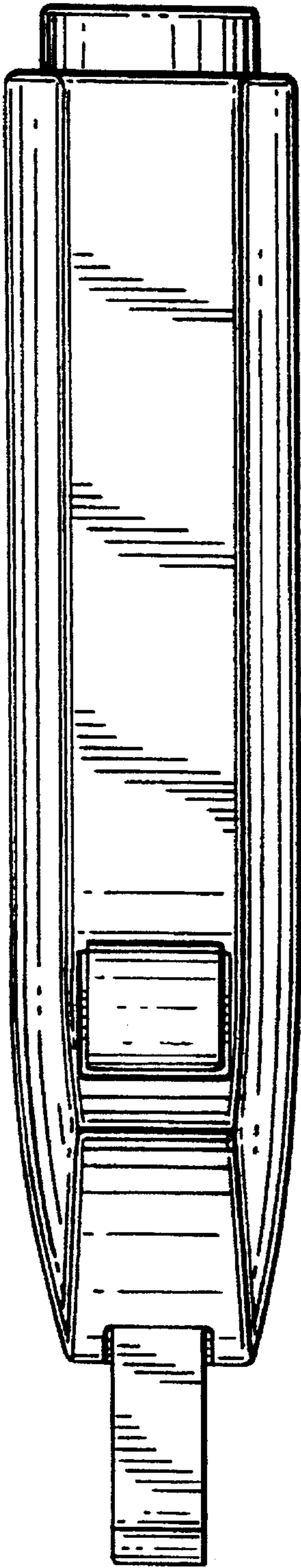
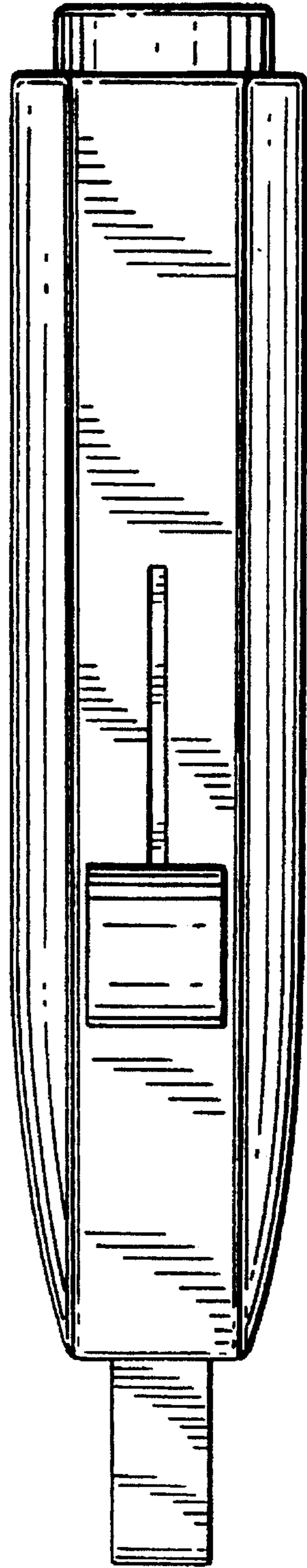


FIG. 7



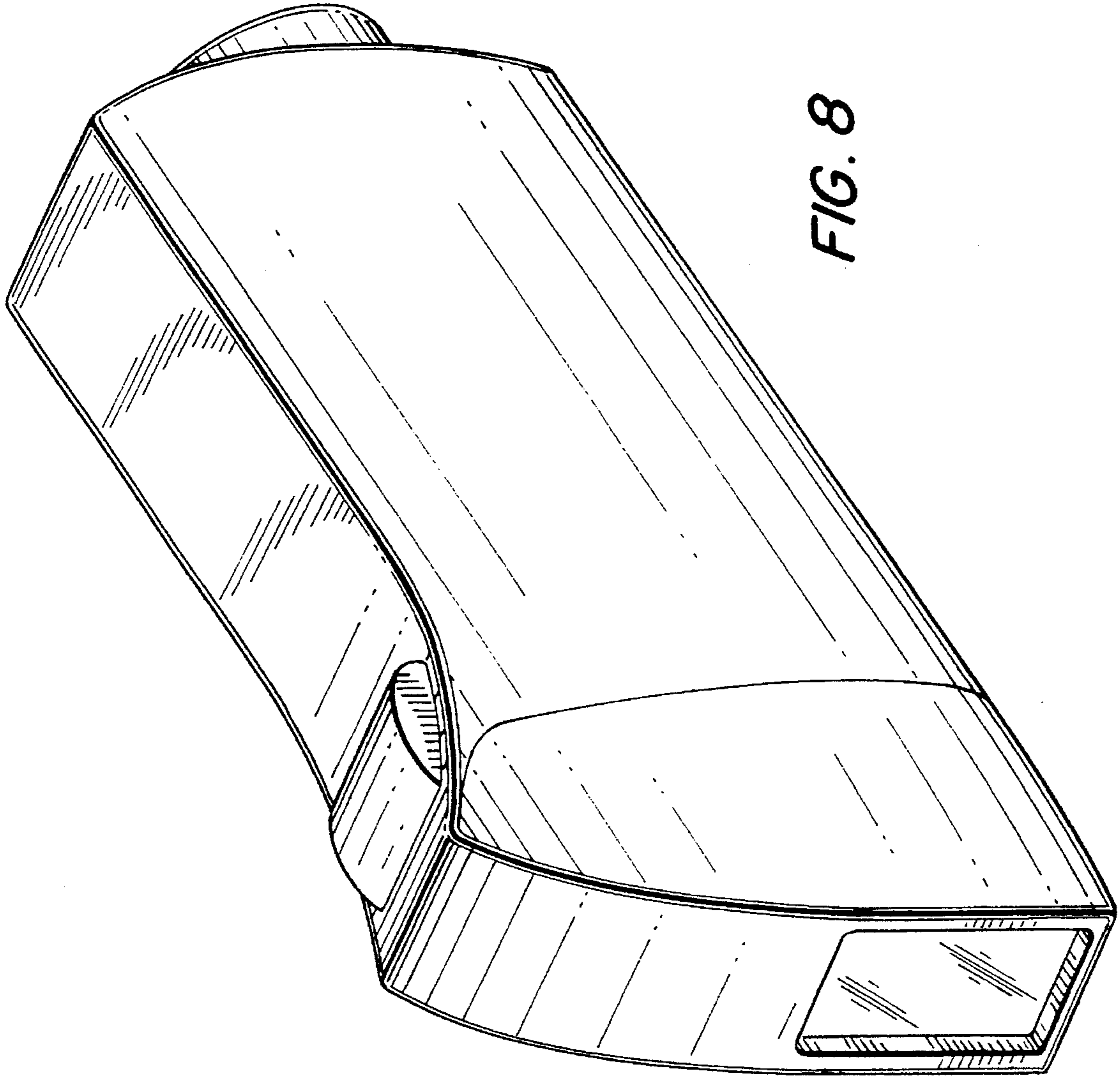


FIG. 8