



US00D374718S

# United States Patent [19]

[11] Patent Number: Des. 374,718

Dodge et al.

[45] Date of Patent: \*\*Oct. 15, 1996

## [54] CASSETTE FOR ARTHROSCOPIC IRRIGATION SYSTEM TUBING SET

[75] Inventors: **Larry H. Dodge**, River Falls, Wis.;  
**William A. Guenther**, Spring Lake Park, Minn.

[73] Assignee: **Minnesota Mining and Manufacturing Company**, St. Paul, Minn.

[\*\*] Term: **14 Years**

[21] Appl. No.: **39,824**

[22] Filed: **Jun. 6, 1995**

### Related U.S. Application Data

[63] Continuation-in-part of Ser. No. 371,011, Jan. 11, 1995, which is a continuation-in-part of Ser. No. 3,475, Jan. 12, 1993, Pat. No. 5,403,277.

[52] U.S. Cl. .... **D24/111**

[58] Field of Search ..... D24/111, 108,  
D24/128, 112; 128/DIG. 12, DIG. 13; 604/30,  
34, 153, 151; 417/477, 442, 476

### [56] References Cited

#### U.S. PATENT DOCUMENTS

D. 264,134	4/1982	Xanthopoulos	.....	D24/111
D. 342,312	12/1993	Pastrone et al.	.....	D24/111
D. 367,323	2/1996	Carr et al.	.....	D24/111
3,597,124	8/1971	Adams	.....	417/477
3,927,955	12/1975	Spinosa et al.	.....	417/477
4,187,057	2/1980	Xanthopoulos	.....	417/63
4,210,138	7/1980	Jess et al.	.....	128/214
4,256,437	3/1981	Brown	.....	417/45
4,263,909	4/1981	Bush	.....	128/215
4,445,826	5/1984	Tarr	.....	417/476
4,526,515	7/1985	DeVries	.....	417/63
4,537,561	8/1985	Xanthopoulos	.....	417/63
4,552,516	11/1985	Stanley	.....	417/477
4,637,813	1/1987	DeVries	.....	604/6
4,650,462	3/1987	DeSatnick et al.	.....	604/30
4,713,051	12/1987	Steppe et al.	.....	604/30
4,735,558	4/1988	Kienholz et al.	.....	417/477

(List continued on next page.)

### FOREIGN PATENT DOCUMENTS

0306445	3/1989	European Pat. Off.	.....	A61B 1/12
0362822	4/1990	European Pat. Off.	.....	A61F 9/00
0529902	3/1993	European Pat. Off.	.....	A61M 1/00
WO91/15149	10/1991	WIPO	.....	A61B 1/12
WO93/19791	10/1993	WIPO	.....	A61M 1/00

### OTHER PUBLICATIONS

Brochure entitled "Arthroflator" by F. M. Wiestkg. Munchen, W. Germany prior art.  
 Brochure entitled "Arthro-Automat 5002" by F. M. Wiestkg, Munchen, Germany (prior art).  
 Brochure entitled "Arthrocombi 5003" by F. M. Wiestkg, Munchen, Germany prior art.  
 Brochure entitled "Integrating Innovative Fluid Management with Arthroscopic Cutting Excellence" by Smith & Nephew Dyonics Inc. prior art.  
 Brochure entitled "Surgeon's Guide—3M Arthroscopy Pump", 3M Health Care—Orthopedic Division; (Form No. 70-2008-1938-4(39.3)K); 8 pages (undated) prior art.  
 Brochure entitled "Operators Manual—3M Arthroscopy Pump"; Orthopedic Products Division/3M; (Form No. 70-2008-1303-1(58.2)K); 8 pages; 1986.  
 Brochure entitled "New 3M Arthroscopy Pump"; Orthopedic Products Division/3M; (Form No. 70-2008-1302-3(265)TP); 2 pages; 1986.

*Primary Examiner*—Louis S. Zarfes

*Assistant Examiner*—I. Simmons

*Attorney, Agent, or Firm*—Gary L. Griswold; Walter N. Kirn; Stephen W. Bauer

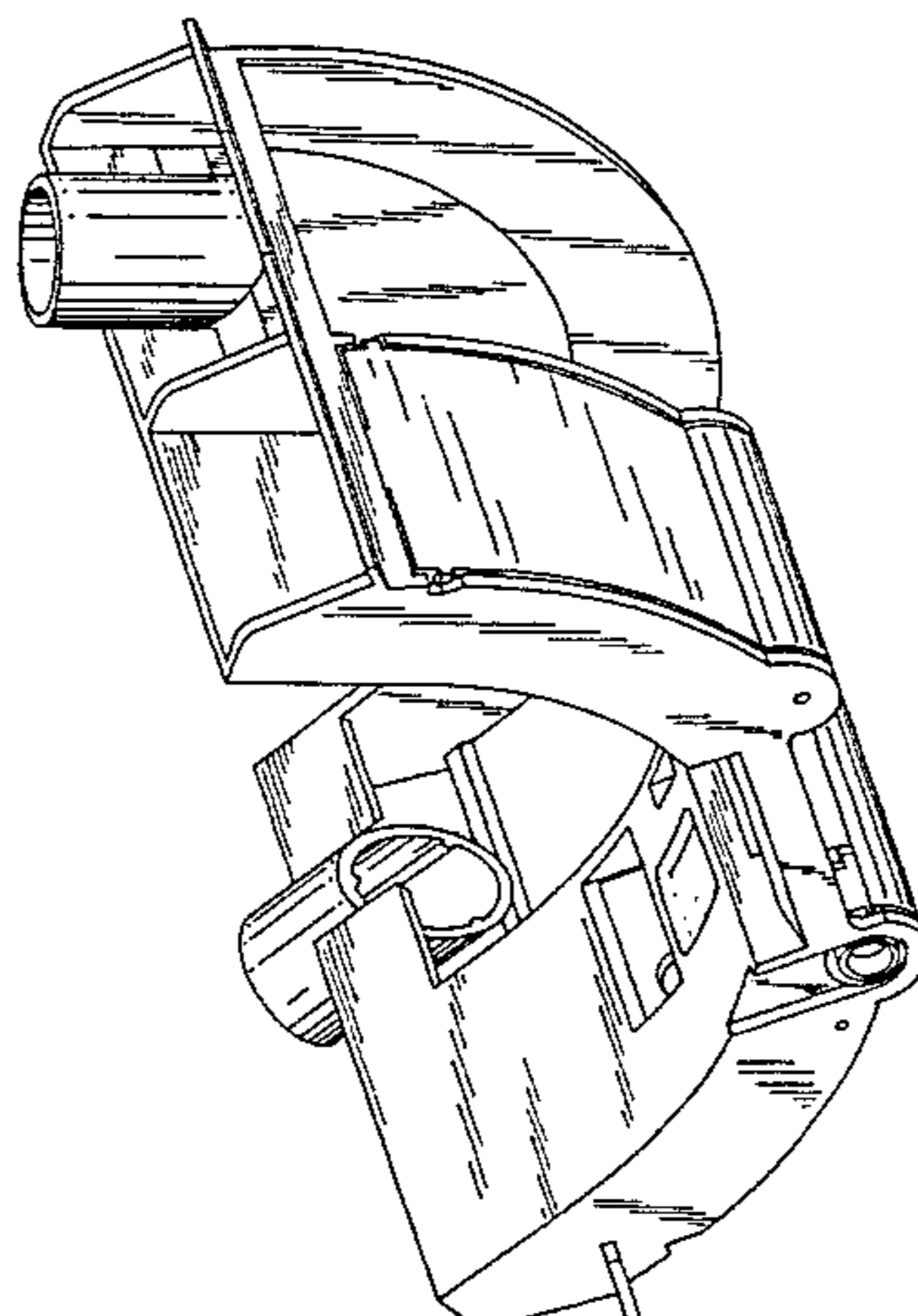
### [57] CLAIM

The ornamental design of a cassette for arthroscopic irrigation system tubing set, as shown and described.

### DESCRIPTION

FIG. 1 is a perspective view of a cassette for arthroscopic irrigation system tubing set showing our new design;  
 FIG. 2 is a top plan view thereof;  
 FIG. 3 is a front elevational view thereof;  
 FIG. 4 is a right side view thereof;  
 FIG. 5 is a left side view thereof;  
 FIG. 6 is a rear elevational view thereof; and,  
 FIG. 7 is a bottom plan view thereof.

1 Claim, 3 Drawing Sheets



U.S. PATENT DOCUMENTS			
4,798,580	1/1989	DeMeo et al. ....	604/30
4,813,855	3/1989	Leveen et al. ....	417/477
4,820,265	4/1989	DeSatnick et al. ....	604/30
4,902,277	2/1990	Mathies et al. ....	604/67
5,000,733	3/1991	Mathies et al. ....	604/67
5,044,902	9/1991	Malbec .....	417/477
5,064,412	11/1991	Henke et al. ....	128/DIG. 13
5,125,891	6/1992	Hossain et al. ....	604/34
5,195,960	3/1993	Hossain et al. ....	604/34
5,267,956	12/1993	Beuchat .....	604/30
5,364,342	11/1994	Beuchat et al. ....	128/DIG. 12
5,399,160	3/1995	Dunberger et al. ....	604/31
5,403,277	4/1995	Dodge et al. ....	604/30
5,464,391	11/1995	De Vale .....	128/DIG. 13 X

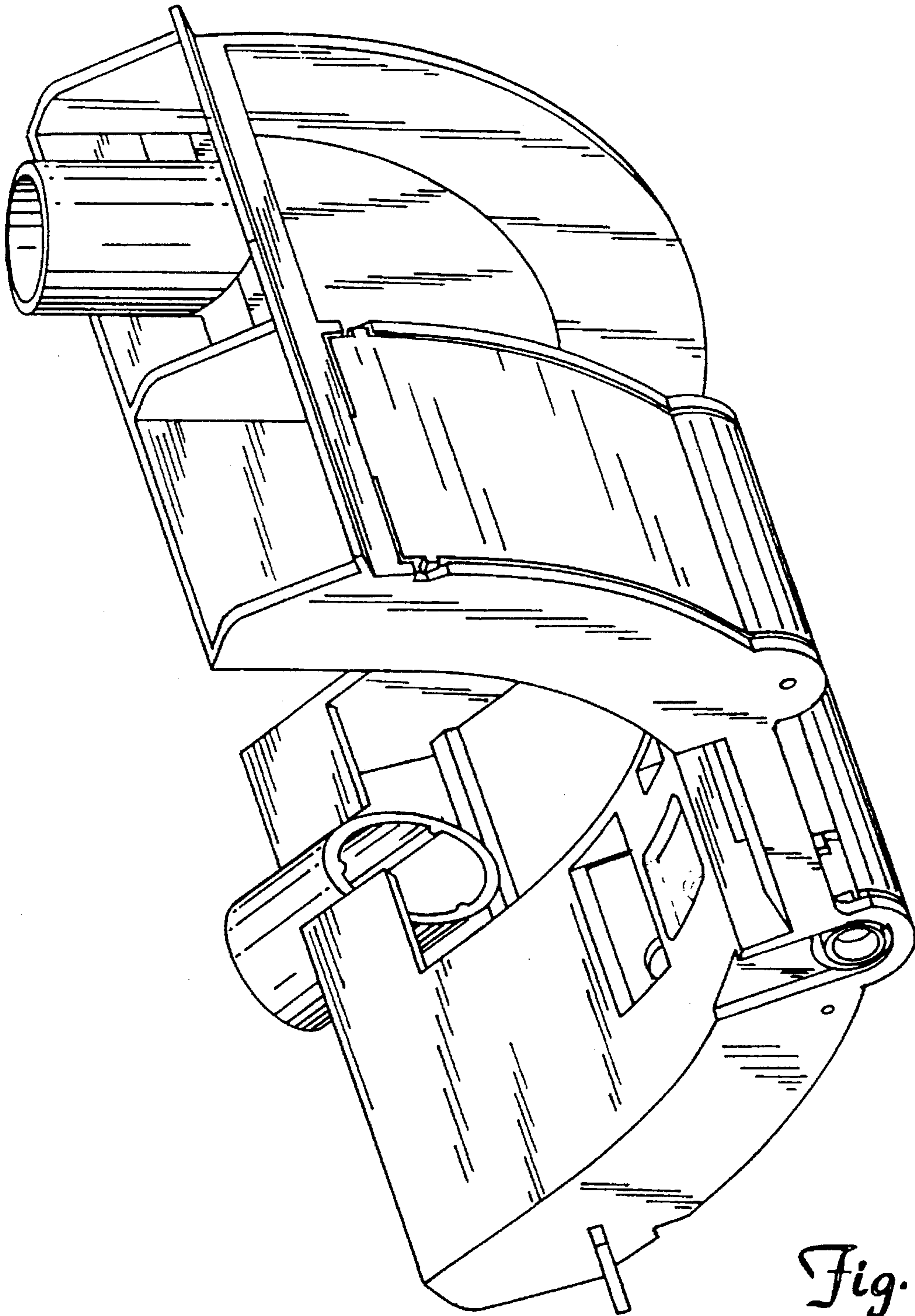
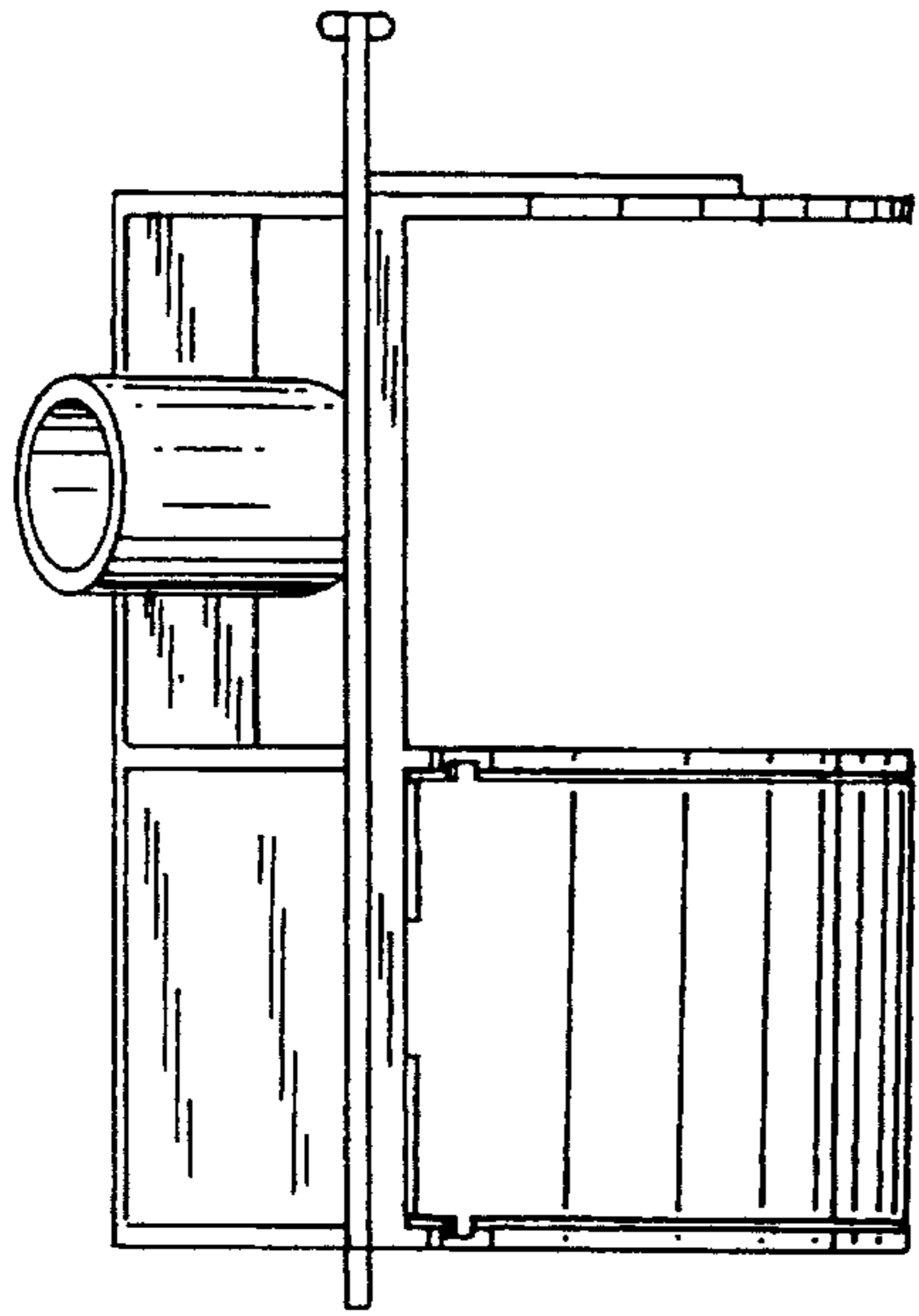
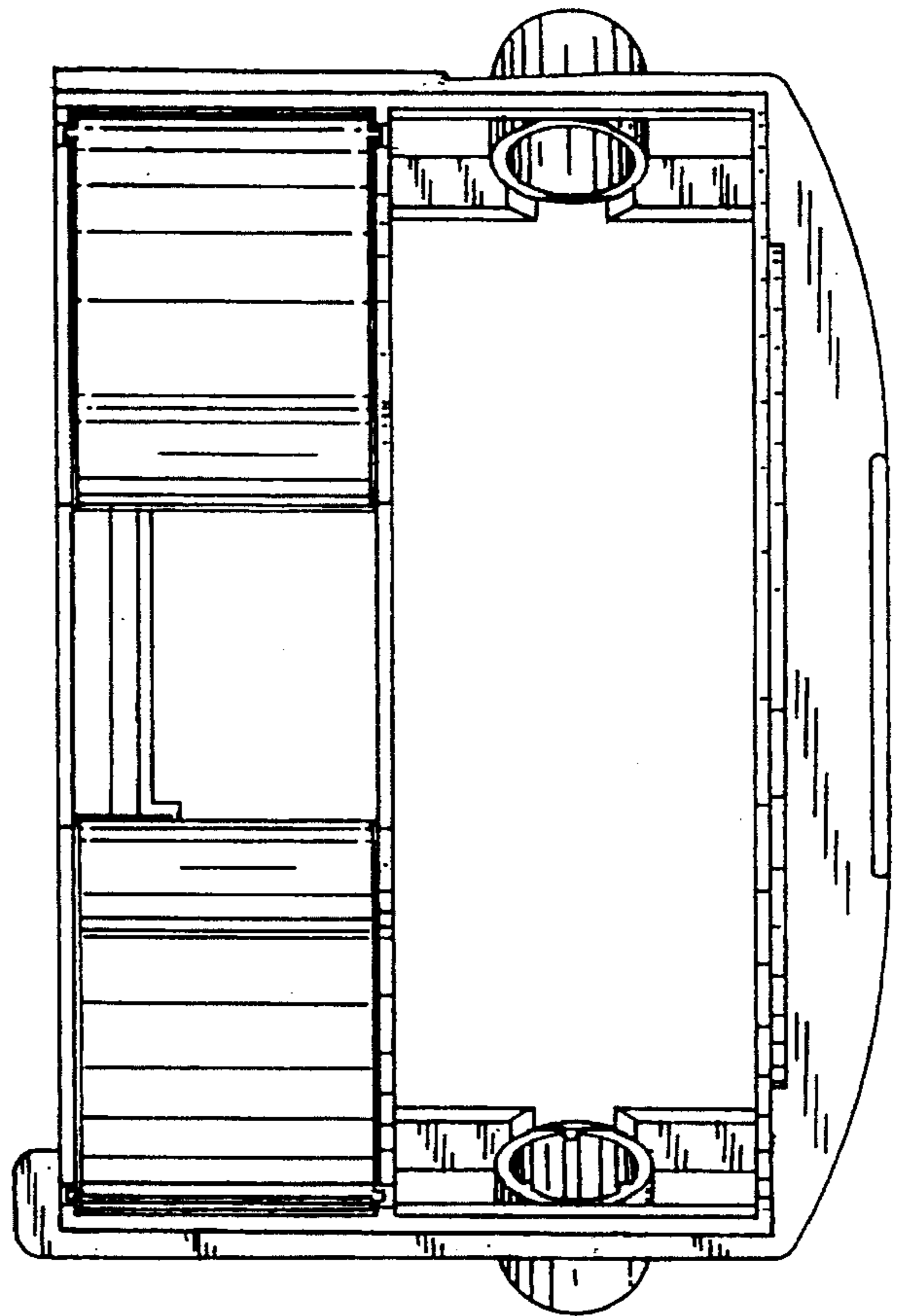


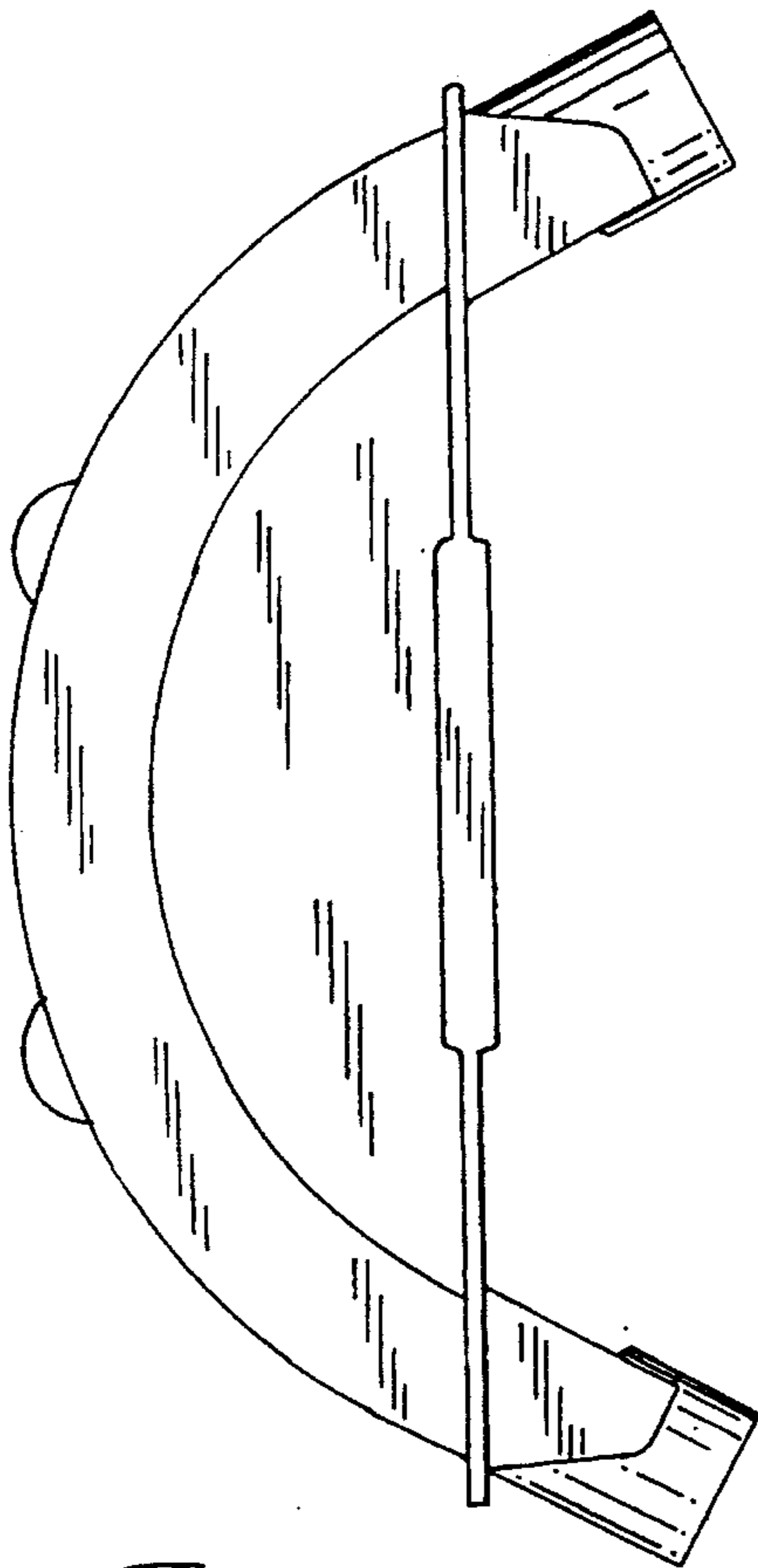
Fig. 1



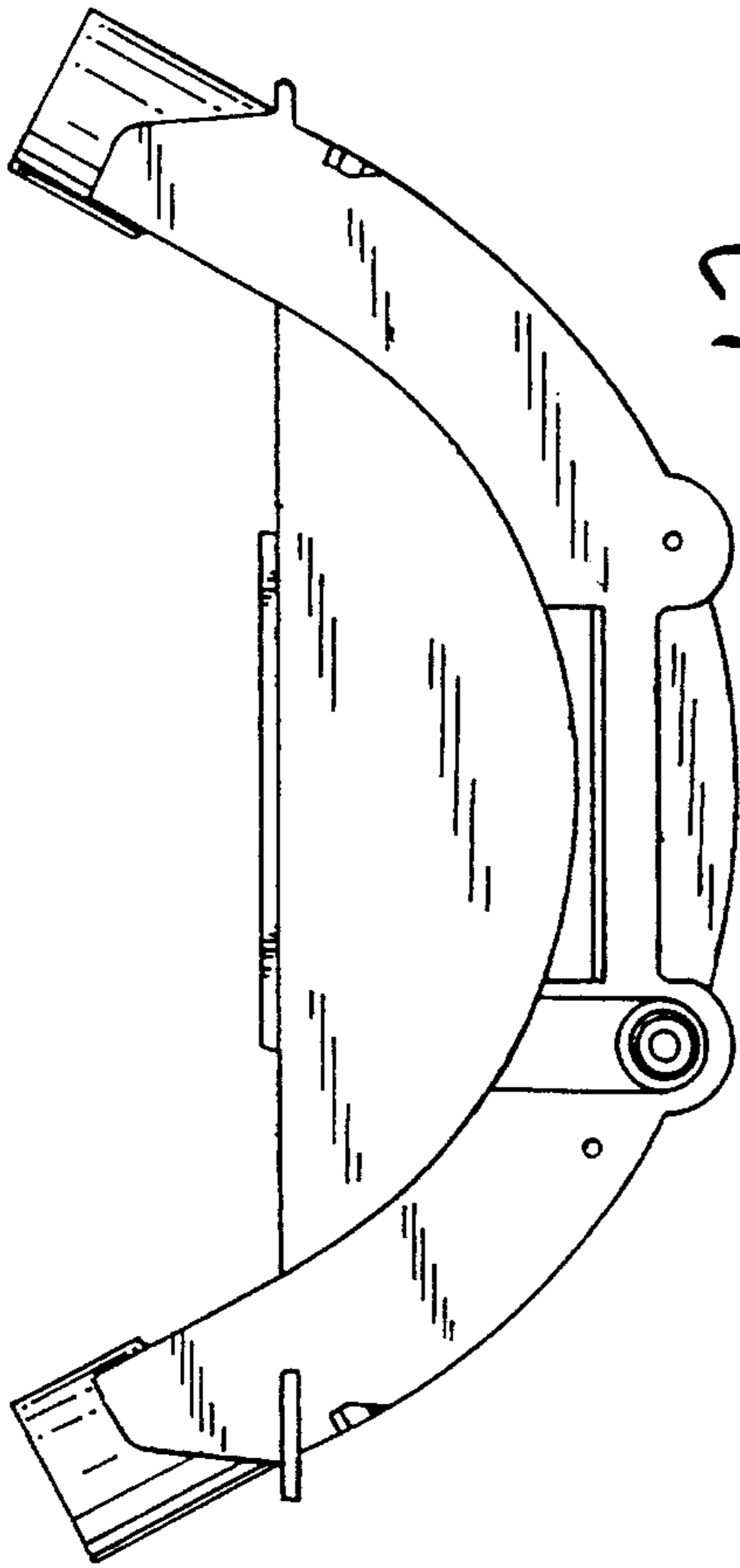
*Fig. 2*



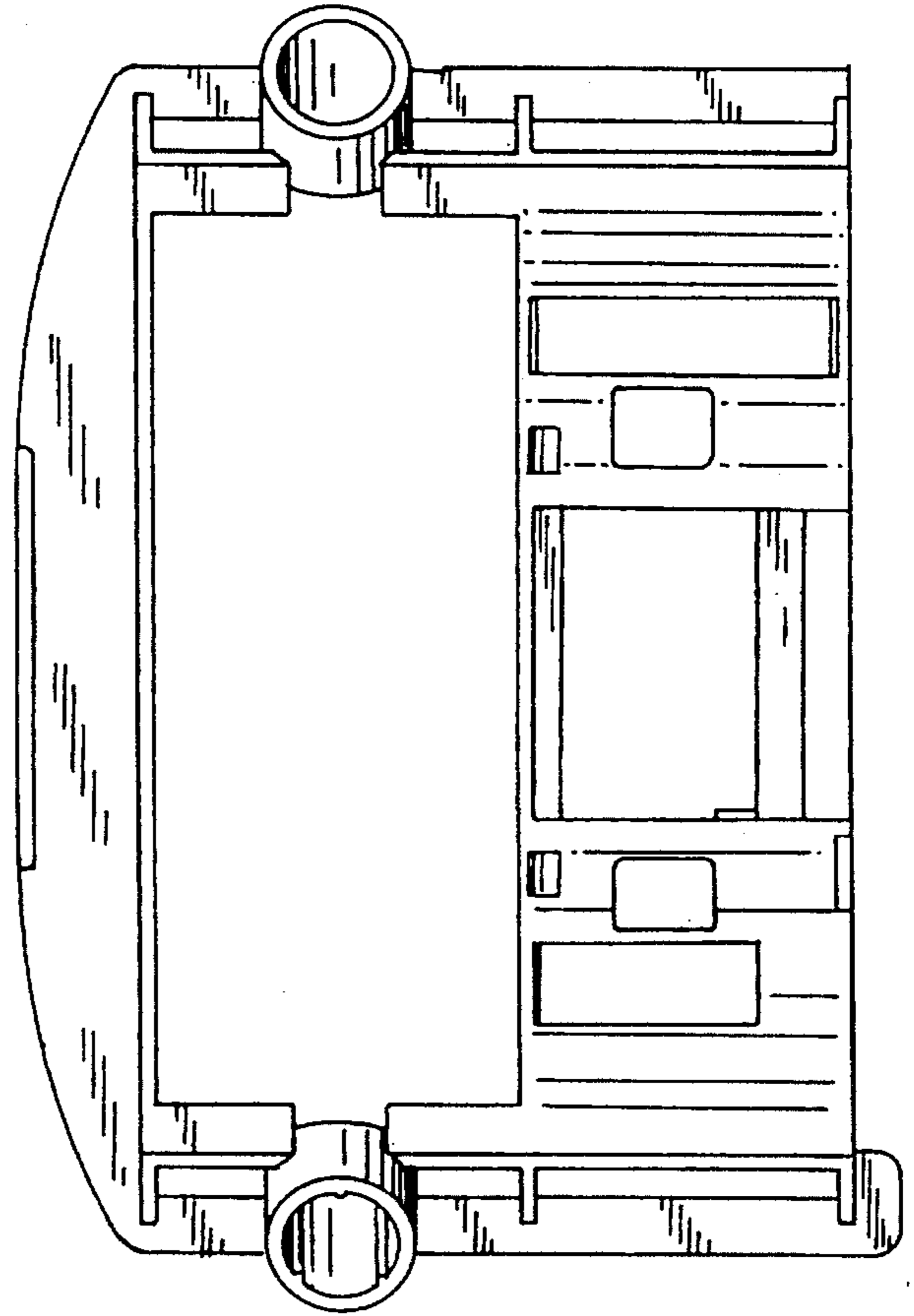
*Fig. 3*



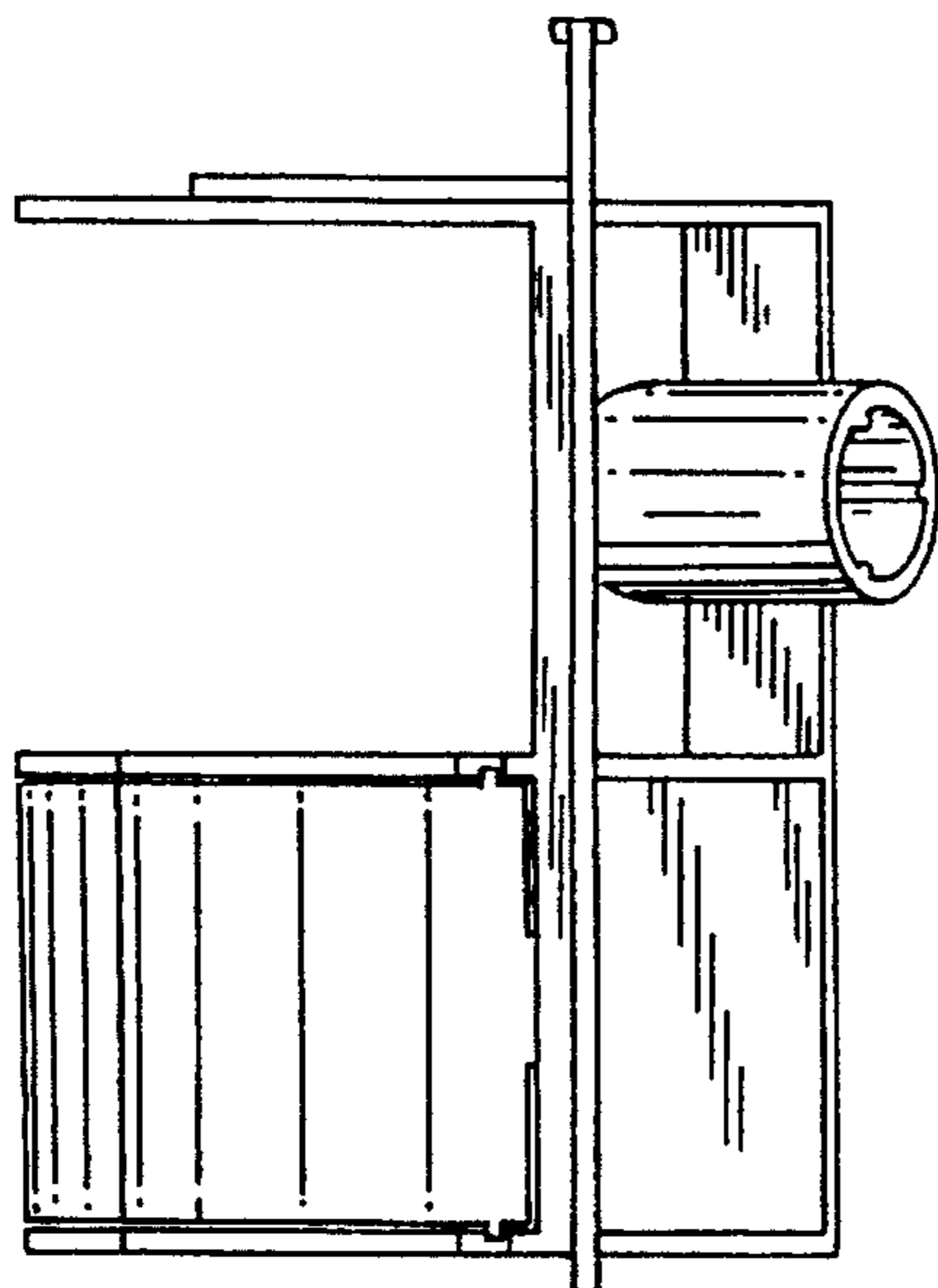
*Fig. 4*



*Fig. 5*



*Fig. 6*



*Fig. 7*