



US00D374716S

# United States Patent [19]

Anderson et al.

[11] Patent Number: **Des. 374,716**

[45] Date of Patent: **\*\*Oct. 15, 1996**

[54] **BURNER PILOT ASSEMBLY**

[75] Inventors: **Gary L. Anderson**, Rogers, Ark.;  
**Steven S. Boyd**, Noel; **Robert W. Hopper**, Goodman, both of Mo.

[73] Assignee: **Sibley Industries, Inc.**, Anderson, Mo.

[\*\*] Term: **14 Years**

[21] Appl. No.: **39,003**

[22] Filed: **May 18, 1995**

[52] U.S. Cl. .... **D23/415**

[58] Field of Search ..... D23/415, 417;  
D8/349, 354, 373; 126/39 E; 431/254, 264,  
258; 248/300, 200, 200.1, 201, 202.1, 205.1,  
441.1, 213.1, 213.2

### [56] References Cited

#### U.S. PATENT DOCUMENTS

D. 230,827	3/1974	Brown	.....	D8/354
D. 234,446	3/1975	Severinghaus	.....	D8/354
D. 258,476	3/1981	Gilboy	.....	D8/354 X
D. 332,670	1/1993	McFarland	.....	D8/380 X
D. 344,886	3/1994	Sachs	.....	D8/373
D. 349,041	7/1994	Wical	.....	D8/373
3,938,946	2/1976	Phlaum	.....	431/264
4,177,034	12/1979	Jones	.....	431/264

4,278,225	7/1981	Phelps	.....	248/311
4,298,336	11/1981	Riehl	.....	431/264
4,919,084	4/1990	Maurice	.....	119/32
5,039,300	8/1991	Riehl	.....	431/264 X

*Primary Examiner*—Susan J. Lucas

*Assistant Examiner*—Cynthia E. Ramirez

*Attorney, Agent, or Firm*—Robert R. Keegan; Head, Johnson & Kachigian

### [57] CLAIM

The design for a burner pilot assembly, as shown and described.

### DESCRIPTION

FIG. 1 is a perspective view of a burner pilot assembly showing our new design;

FIG. 2 is a left side elevational view thereof, including environment in phantom lines, the right side being a mirror image thereof;

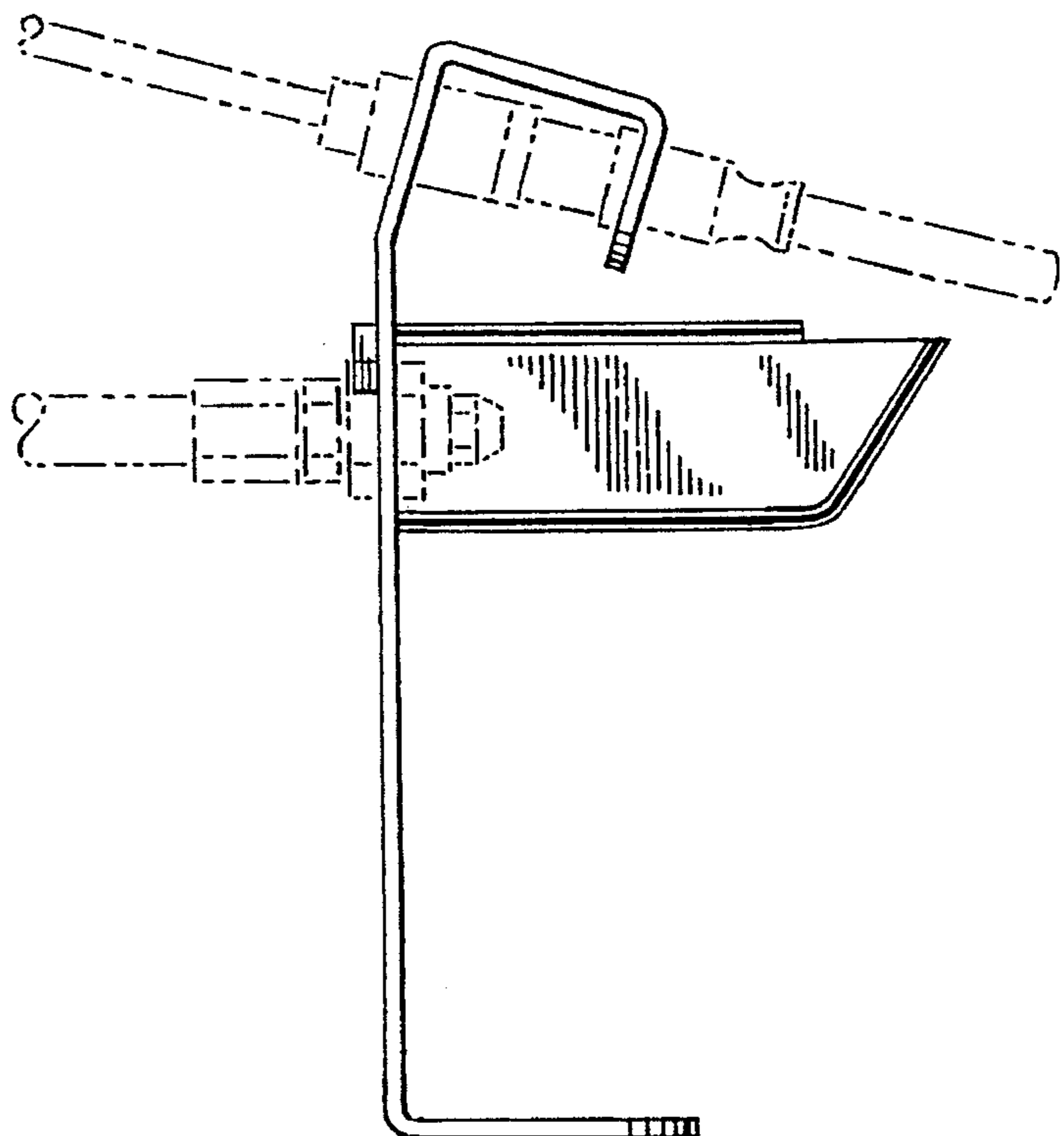
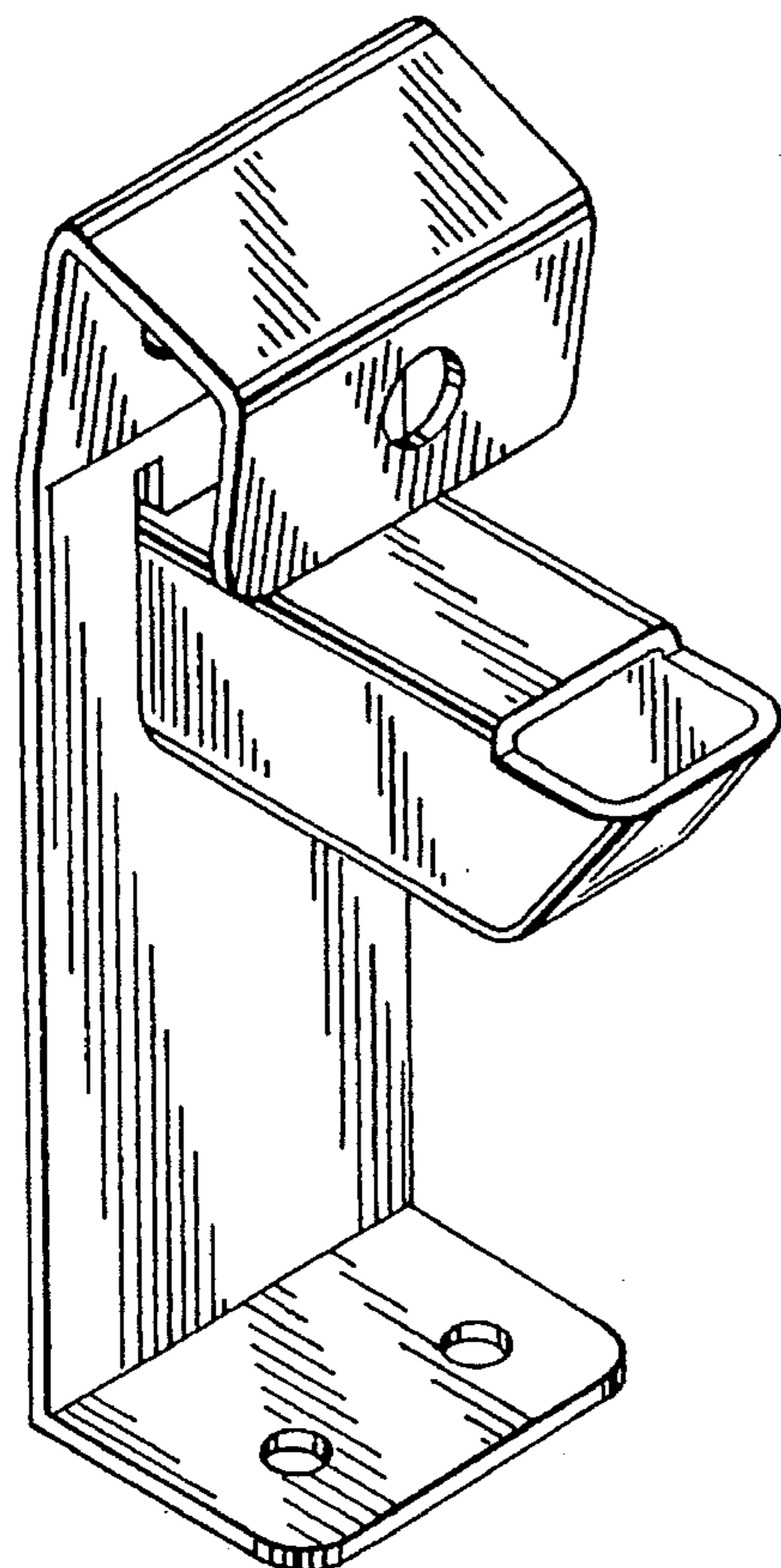
FIG. 3 is a front elevational view thereof;

FIG. 4 is a rear elevational view thereof; and,

FIG. 5 is a bottom plan view thereof partially broken away to show obscured detail.

The broken line showing of the electrode and the flame sensing bulb in FIG. 1 is for illustrative purposes only and forms no part of the claimed design.

**1 Claim, 1 Drawing Sheet**



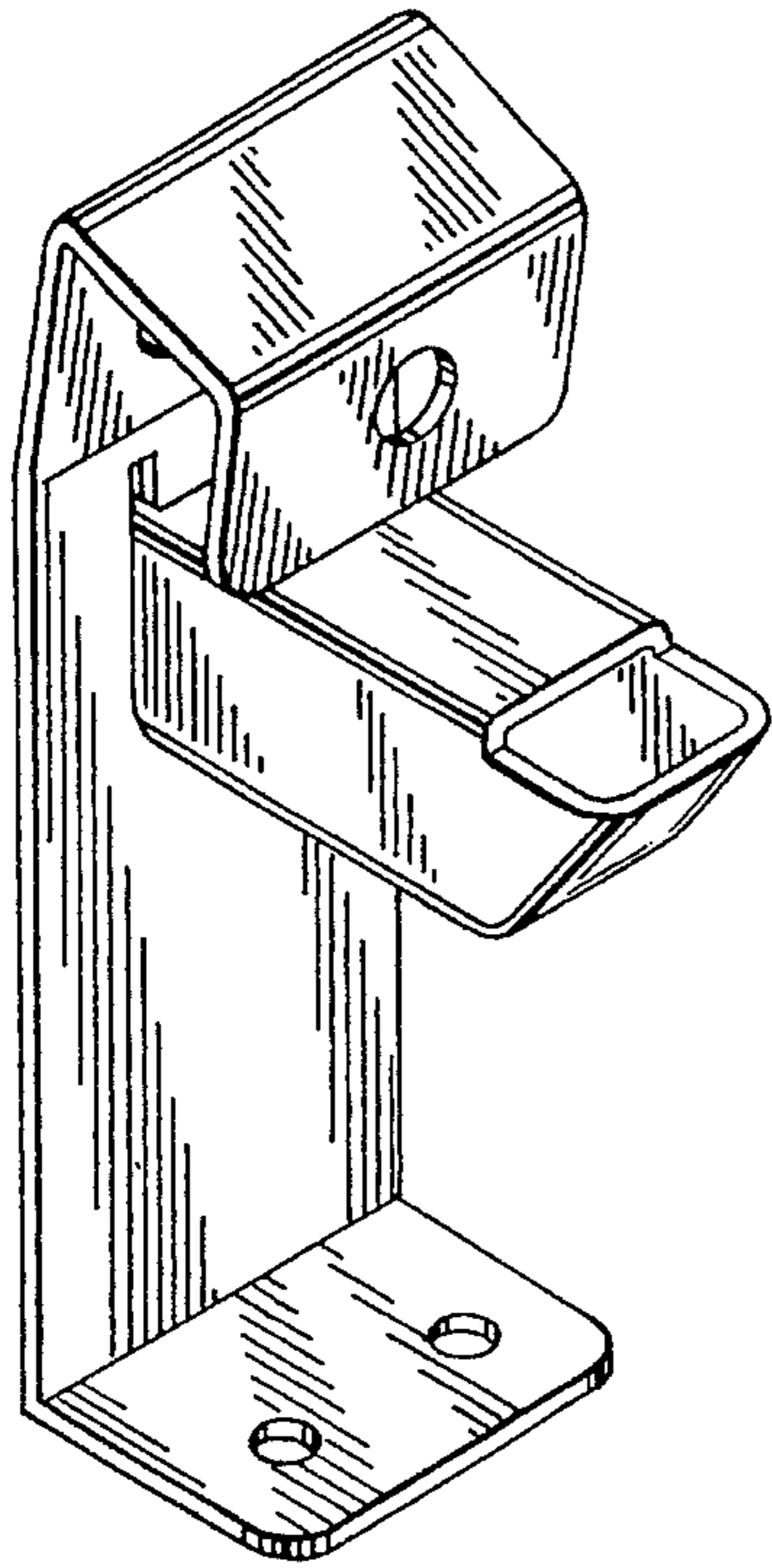


FIG. 1

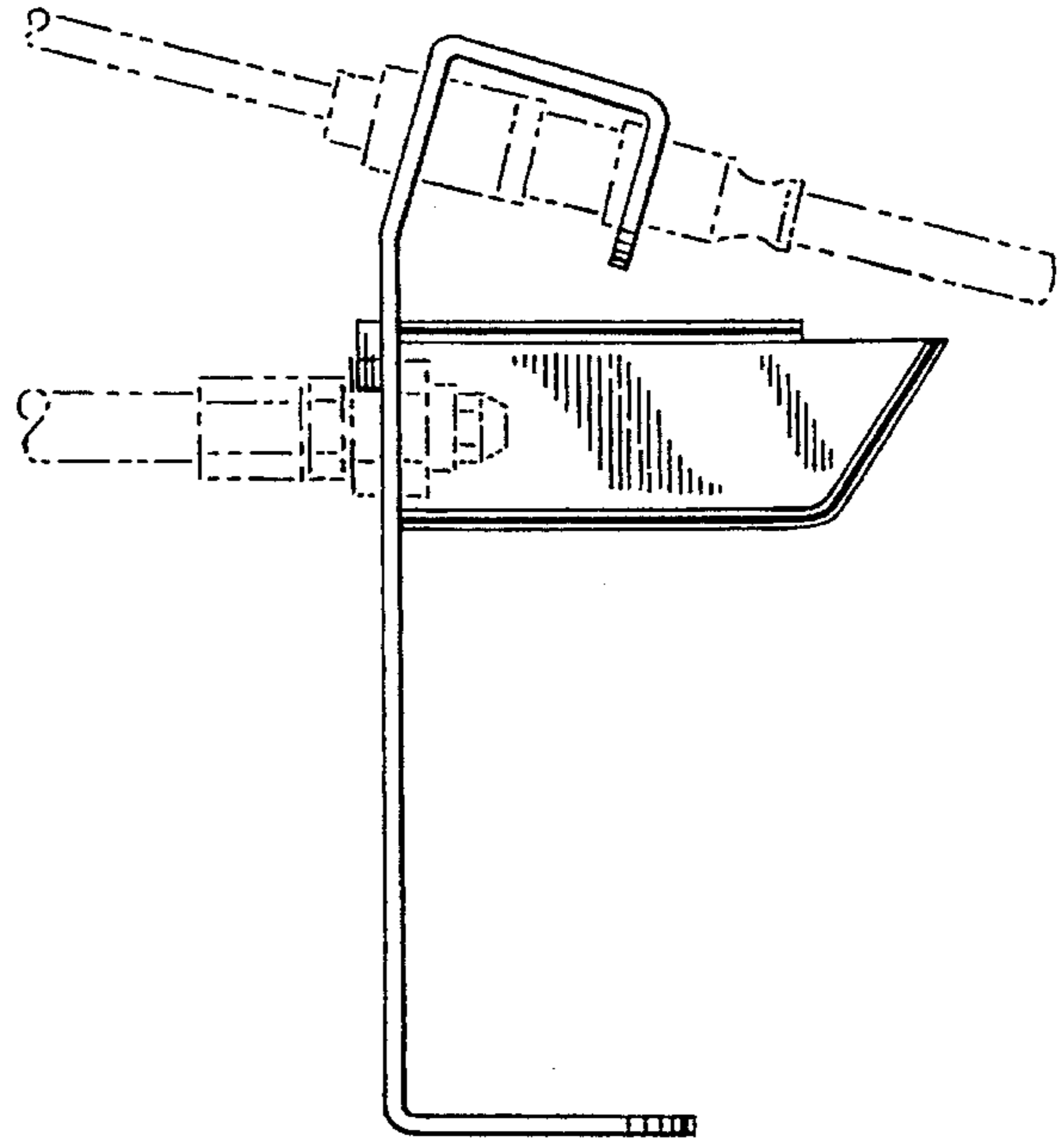


FIG. 2

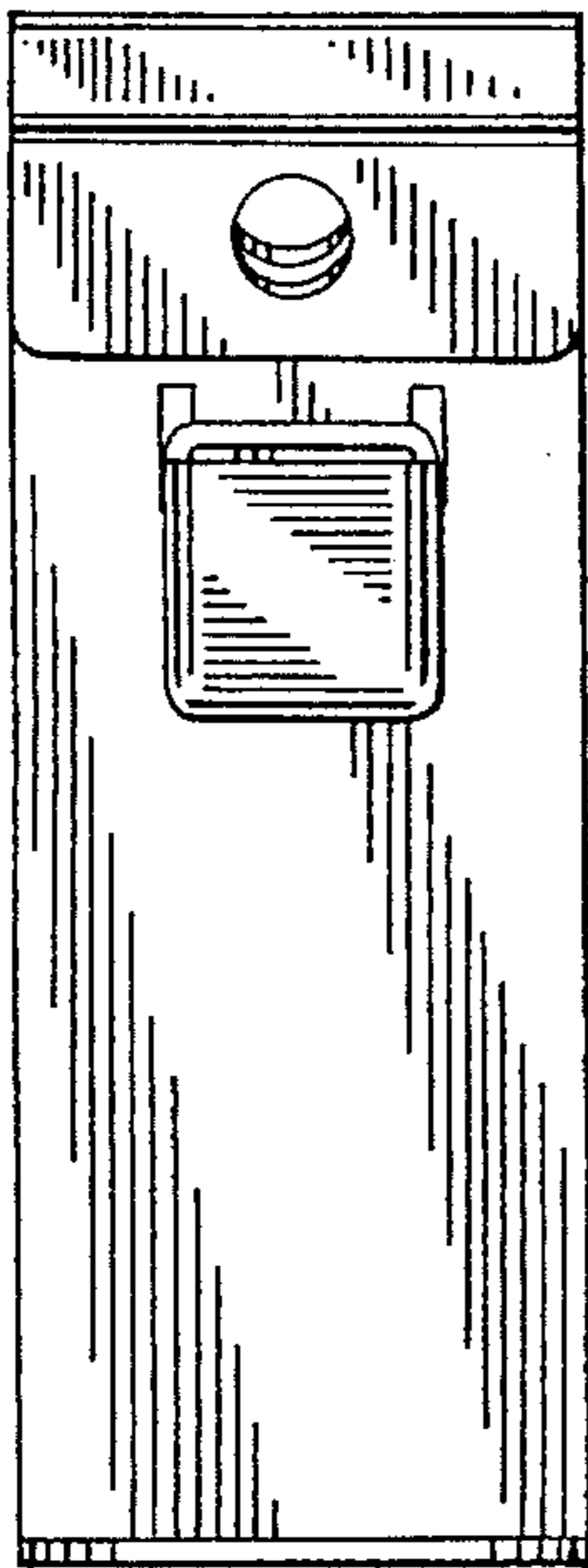


FIG. 3

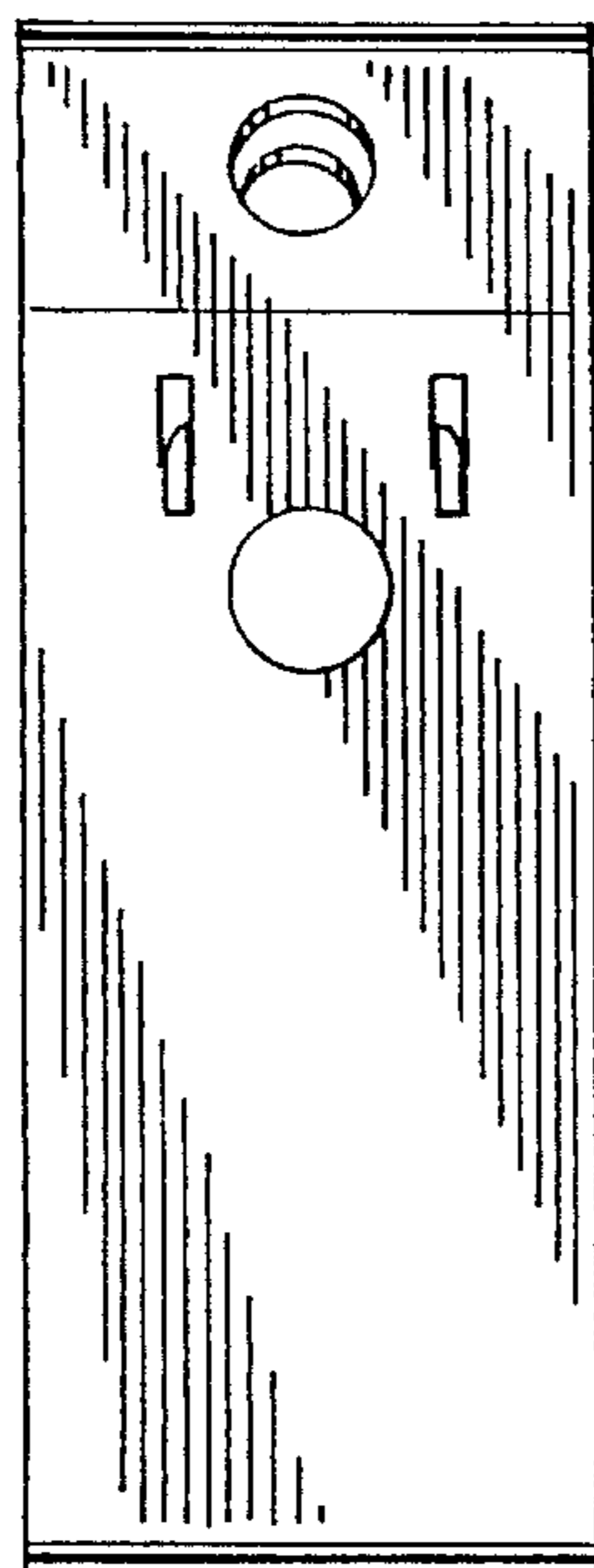


FIG. 4

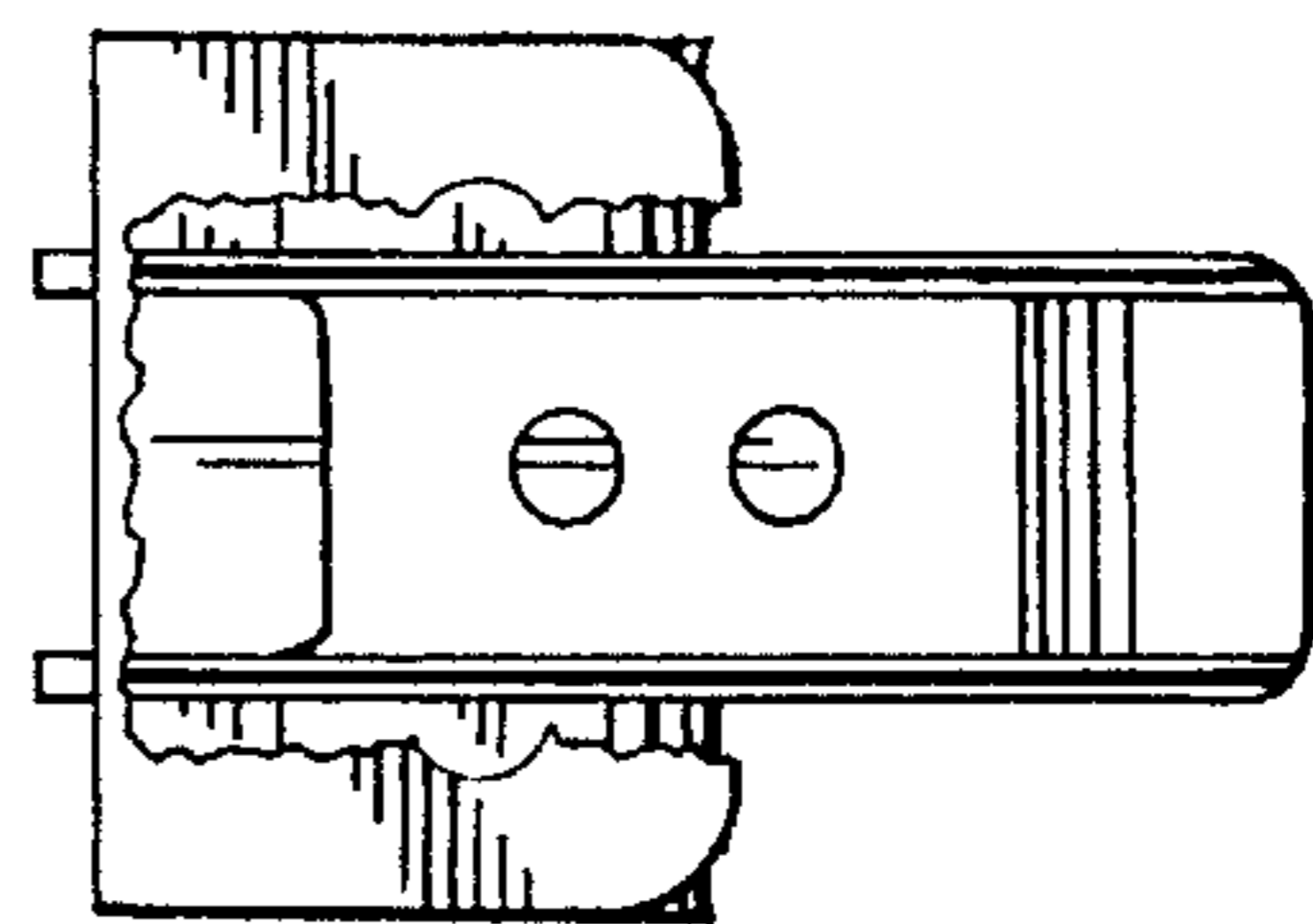


FIG. 5