



US00D374714S

United States Patent [19]

Vullion

[11] Patent Number: **Des. 374,714**

[45] Date of Patent: ****Oct. 15, 1996**

[54] CONTAINER FOR ODORANT TO BE FIXED IN A CAR

[75] Inventor: **Philippe Vullion**, Biot, France

[73] Assignee: **Philippe Vullion, S.A.**, France

[**] Term: **14 Years**

[21] Appl. No.: **42,341**

[22] Filed: **Aug. 8, 1995**

[30] Foreign Application Priority Data

Feb. 10, 1995 [FR] France 321

[52] U.S. Cl. **D23/367**; D23/366; 261/DIG. 65

[58] Field of Search D23/366-369; D9/527, 528; D11/81, 157; D12/147, 209; 454/157, 156; 239/34, 57, 58, 59, 60, 211; 261/DIG. 65; 422/124, 7

[56] References Cited

U.S. PATENT DOCUMENTS

D. 358,638 5/1995 Vullion D23/366

4,609,106 9/1986 Gentili D9/528

OTHER PUBLICATIONS

J.C. Whitney Cat. ©1981, p. 31, Gas can, top left side of page.

Primary Examiner—Lisa P. Lichtenstein
Attorney, Agent, or Firm—Ostrolenk, Faber, Gerb & Soffen, LLP

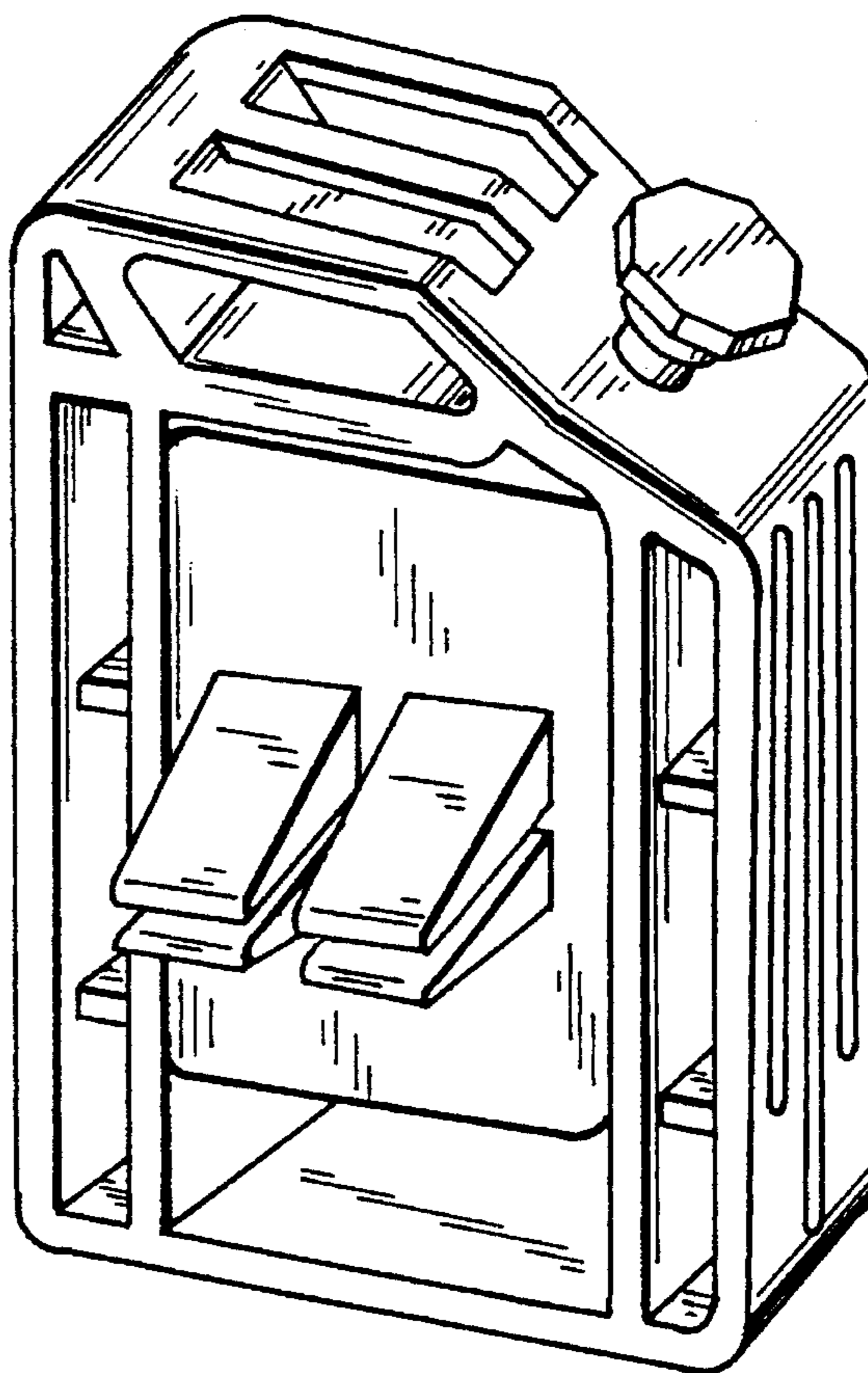
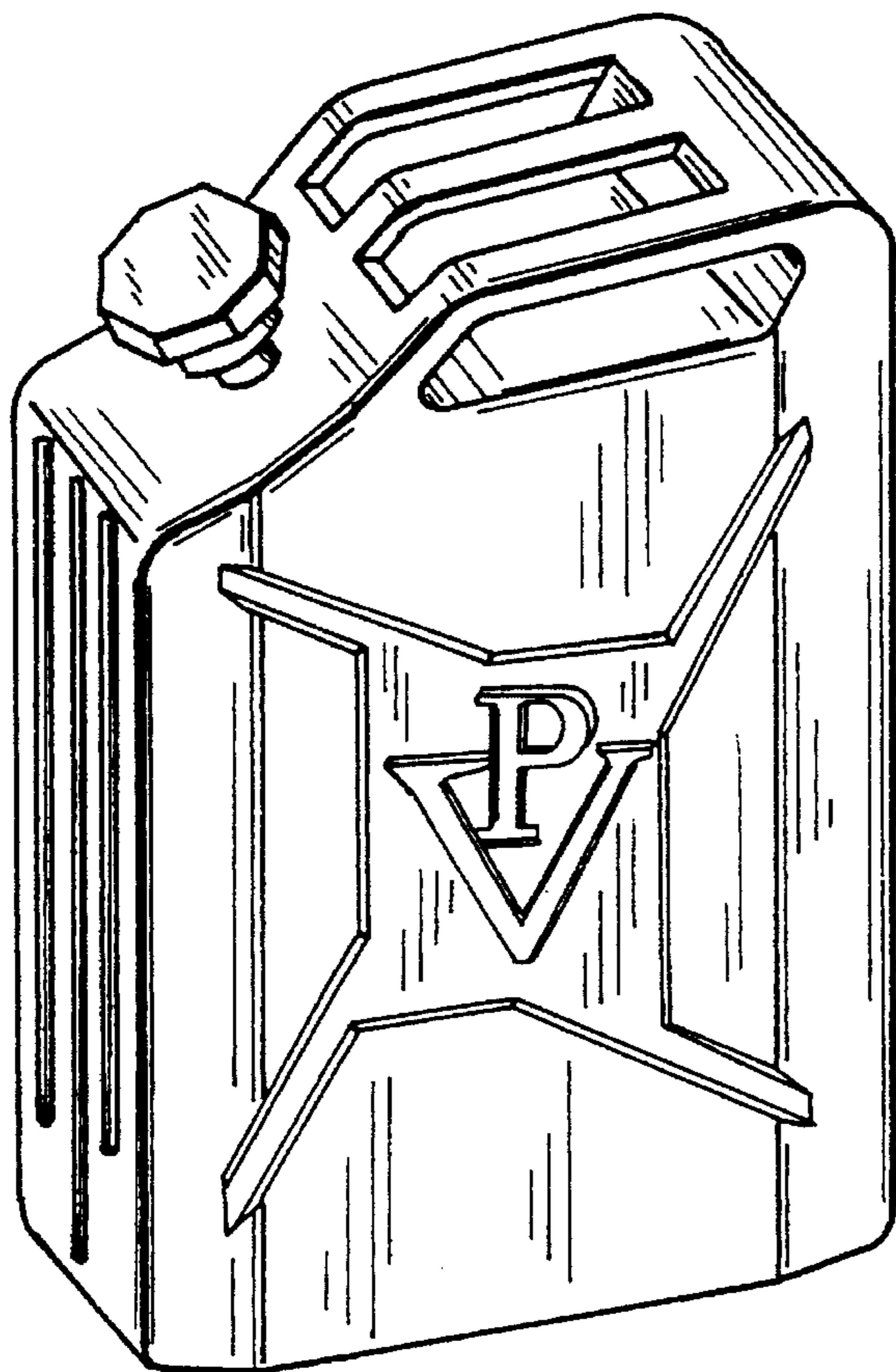
[57] CLAIM

The ornamental design for a container for odorant to be fixed in a car, as shown.

DESCRIPTION

FIG. 1. is a front perspective view of a container for odorant to be fixed in a car showing my new design;
FIG. 2. is a back perspective view thereof;
FIG. 3. is a left side end view thereof;
FIG. 4. is a right side end view thereof;
FIG. 5. is a top view thereof; and,
FIG. 6. is a bottom view thereof.

1 Claim, 2 Drawing Sheets



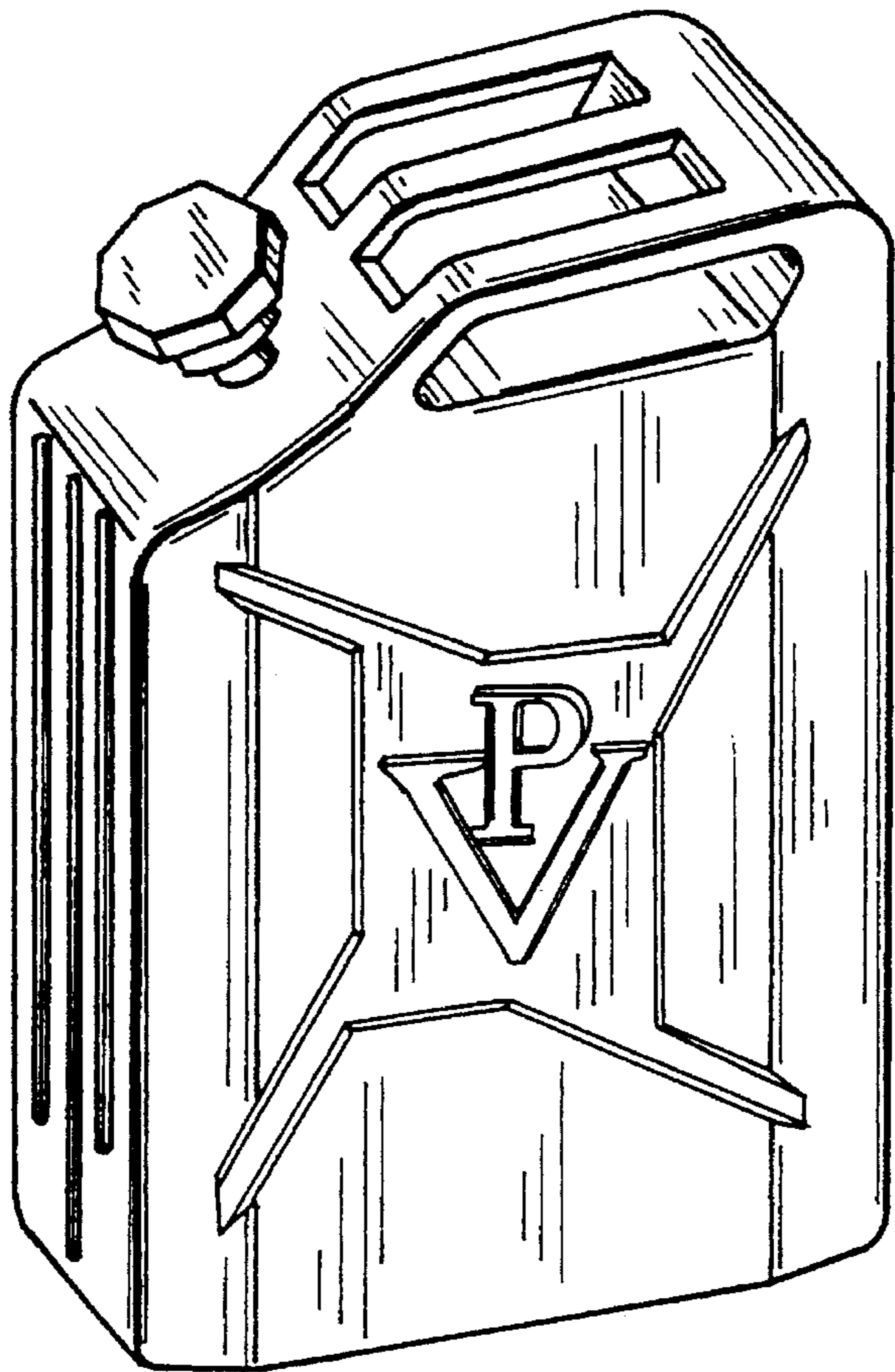


FIG. 1

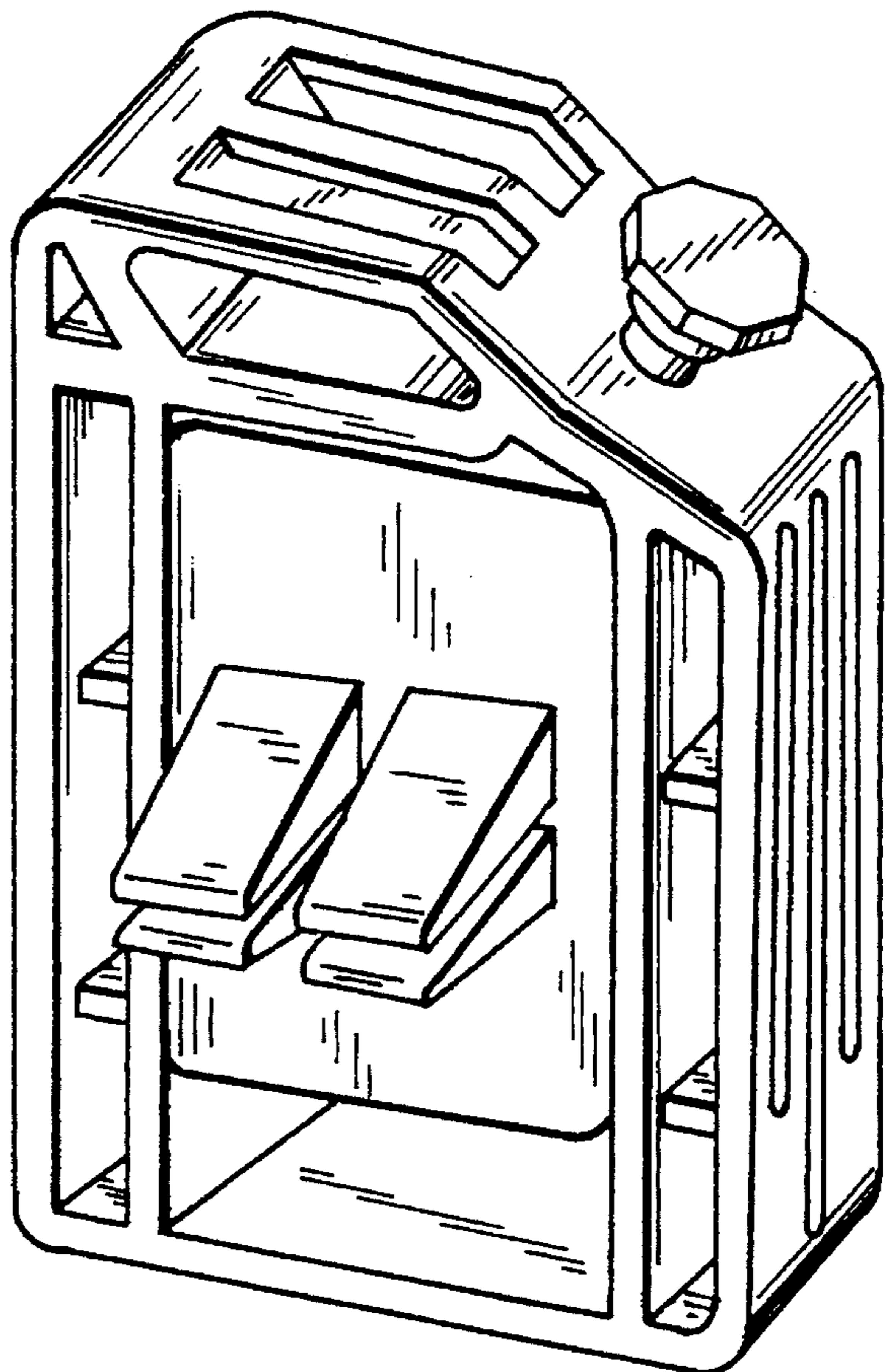


FIG. 2

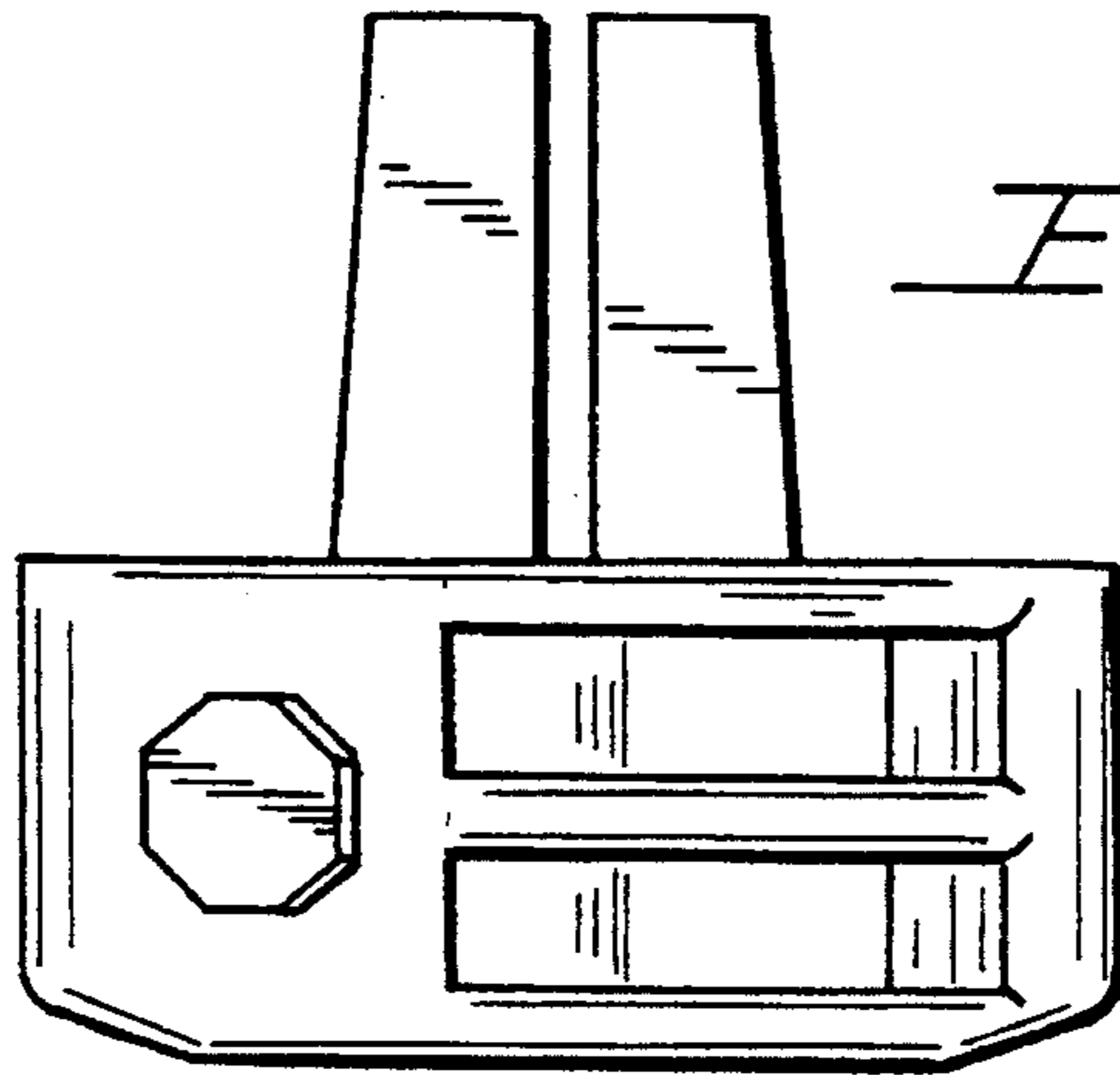


FIG. 5

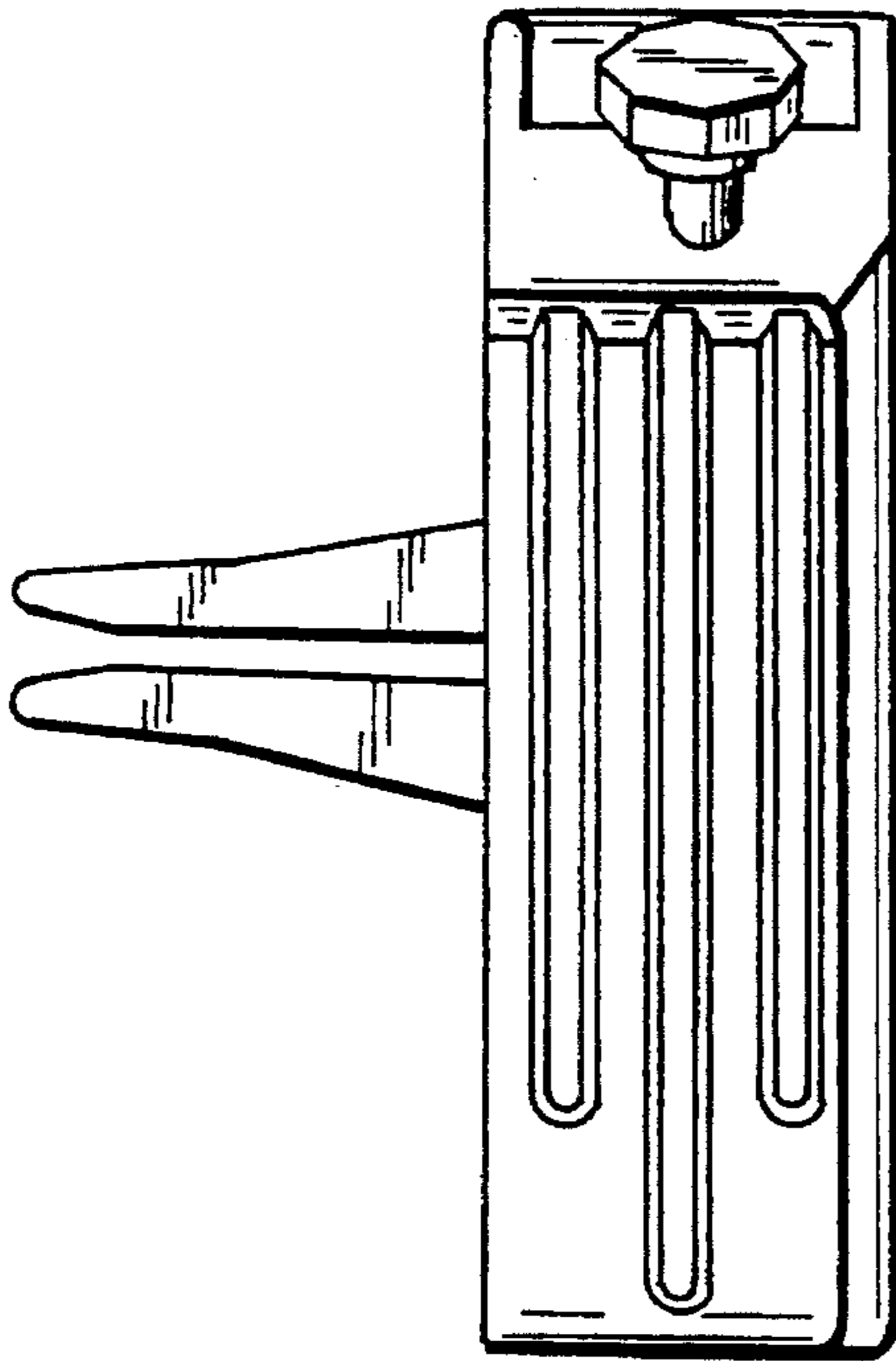


FIG. 3

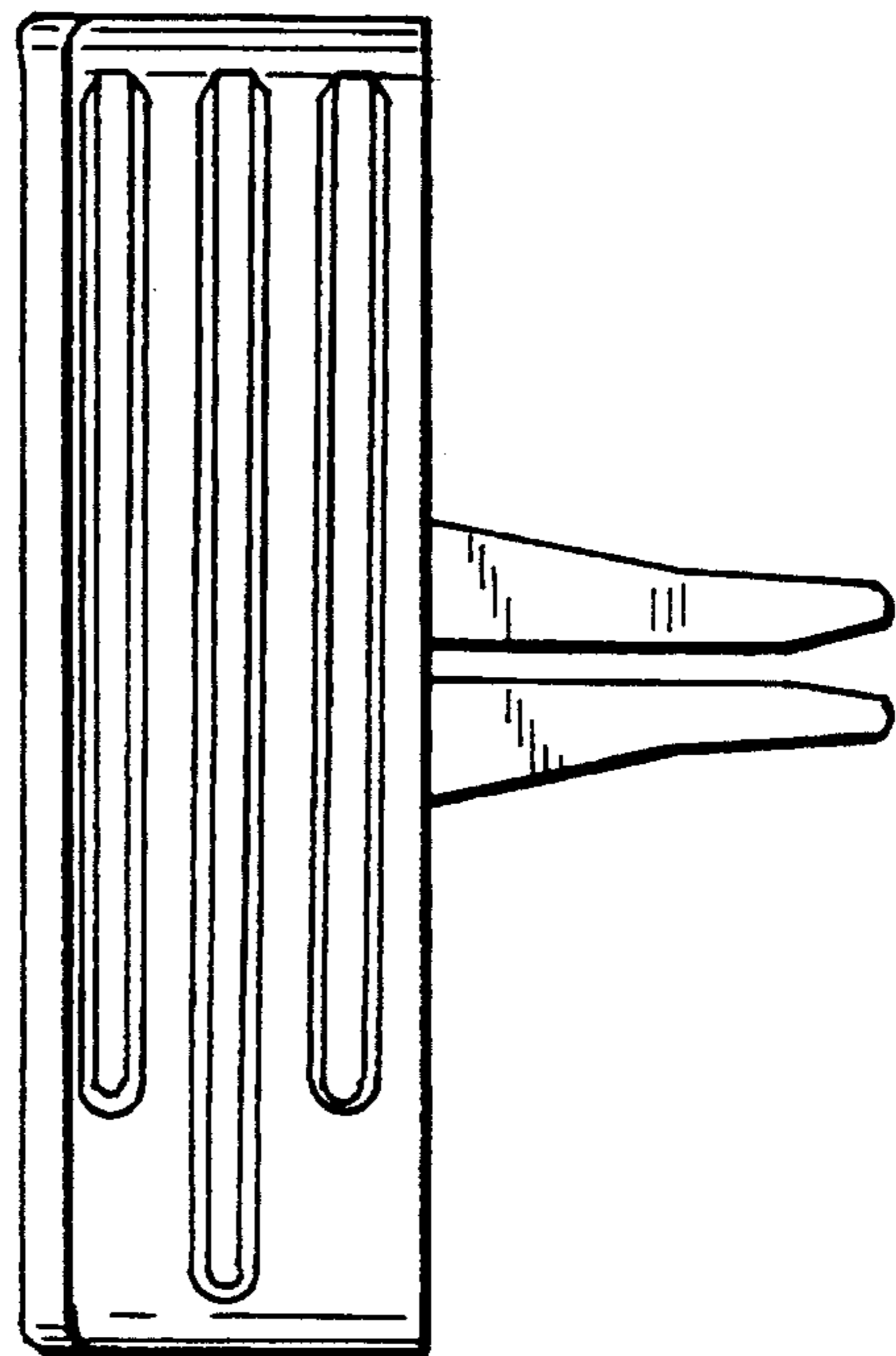


FIG. 4

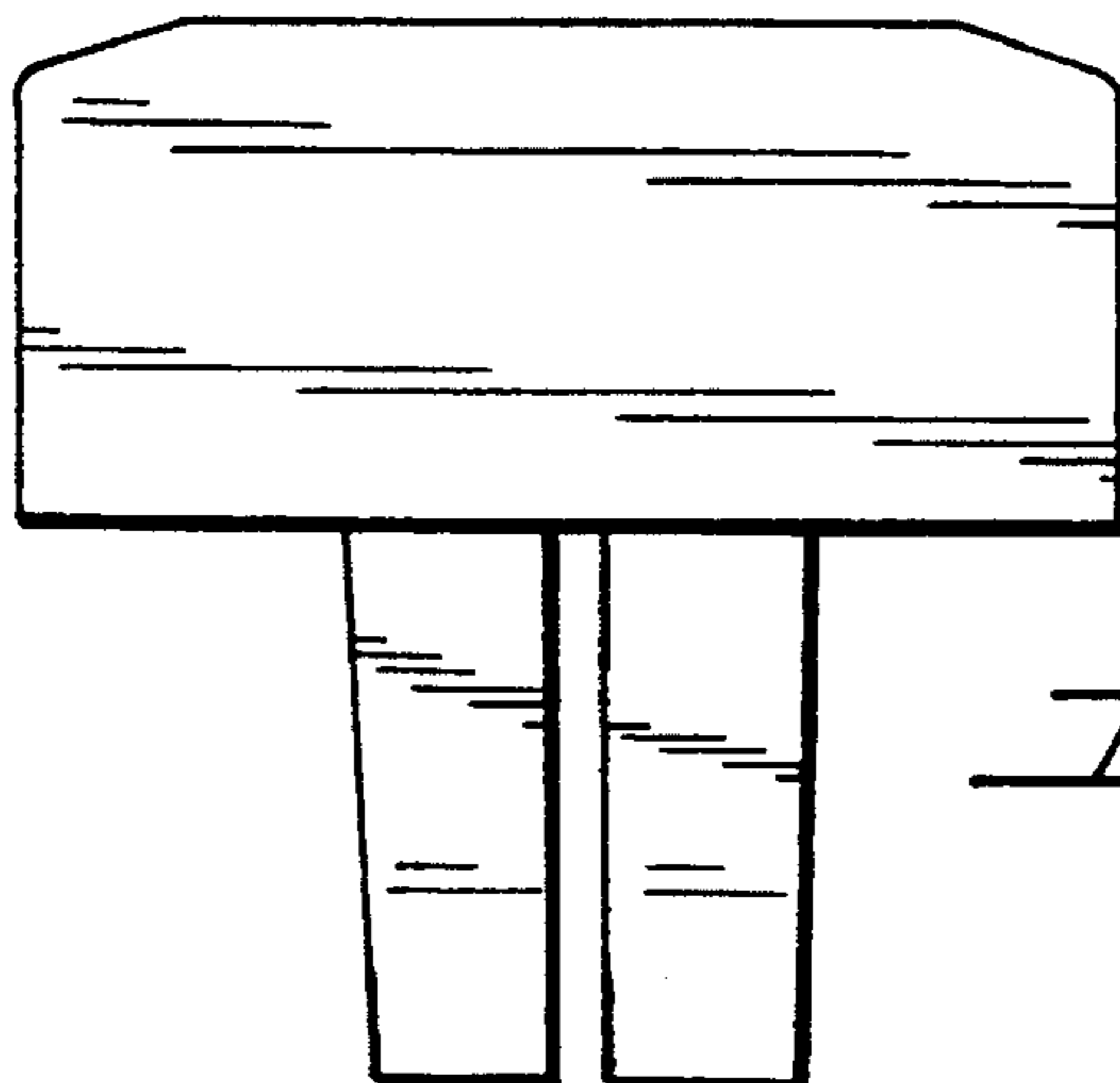


FIG. 6