



US00D374712S

United States Patent [19]

Jané et al.

[11] Patent Number: **Des. 374,712**

[45] Date of Patent: ****Oct. 15, 1996**

[54] **PORTABLE ELECTRIC HEATER**

[75] Inventors: **Rodney B. Jané**, Westboro, Mass.;
Johnson Peng, Taipei, Taiwan; **Robert L. Marvin, Jr.**, Farmington, Conn.

[73] Assignee: **Duracraft Corporation**, Southborough, Mass.

[**] Term: **14 Years**

[21] Appl. No.: **43,159**

[22] Filed: **Aug. 28, 1995**

[52] U.S. Cl. **D23/336; D23/332; D23/337**

[58] Field of Search **D23/332, 335, D23/336, 337, 328; 392/365-369, 373, 374; D14/188, 194, 204, 210, 214**

[56] **References Cited**

U.S. PATENT DOCUMENTS

D. 343,231 1/1994 Lim D23/336

D. 346,017 4/1994 Lim D23/332
D. 365,389 12/1995 Williams D23/336

Primary Examiner—Lisa P. Lichtenstein
Attorney, Agent, or Firm—John E. Toupal; Harold G. Jarcho

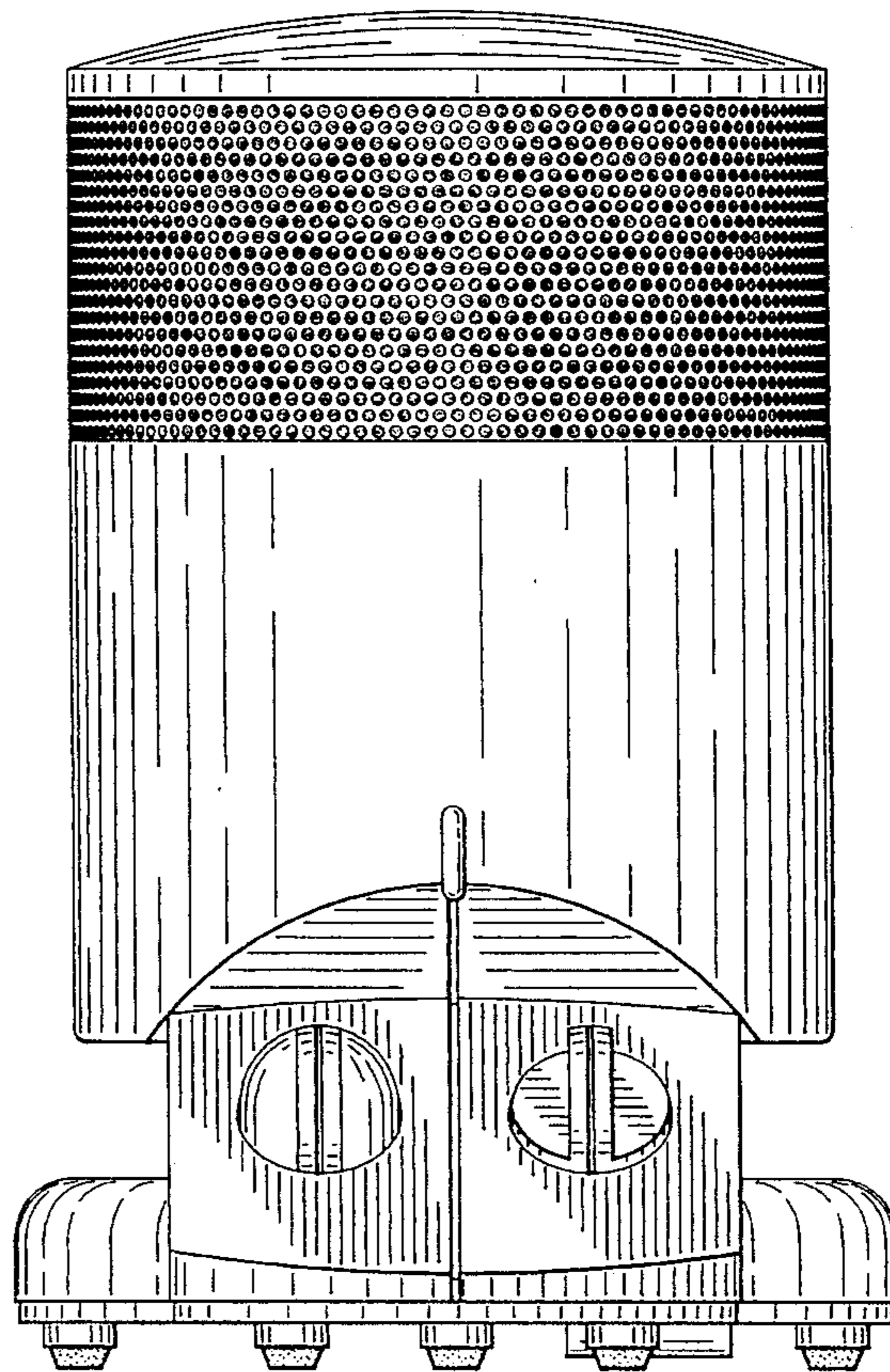
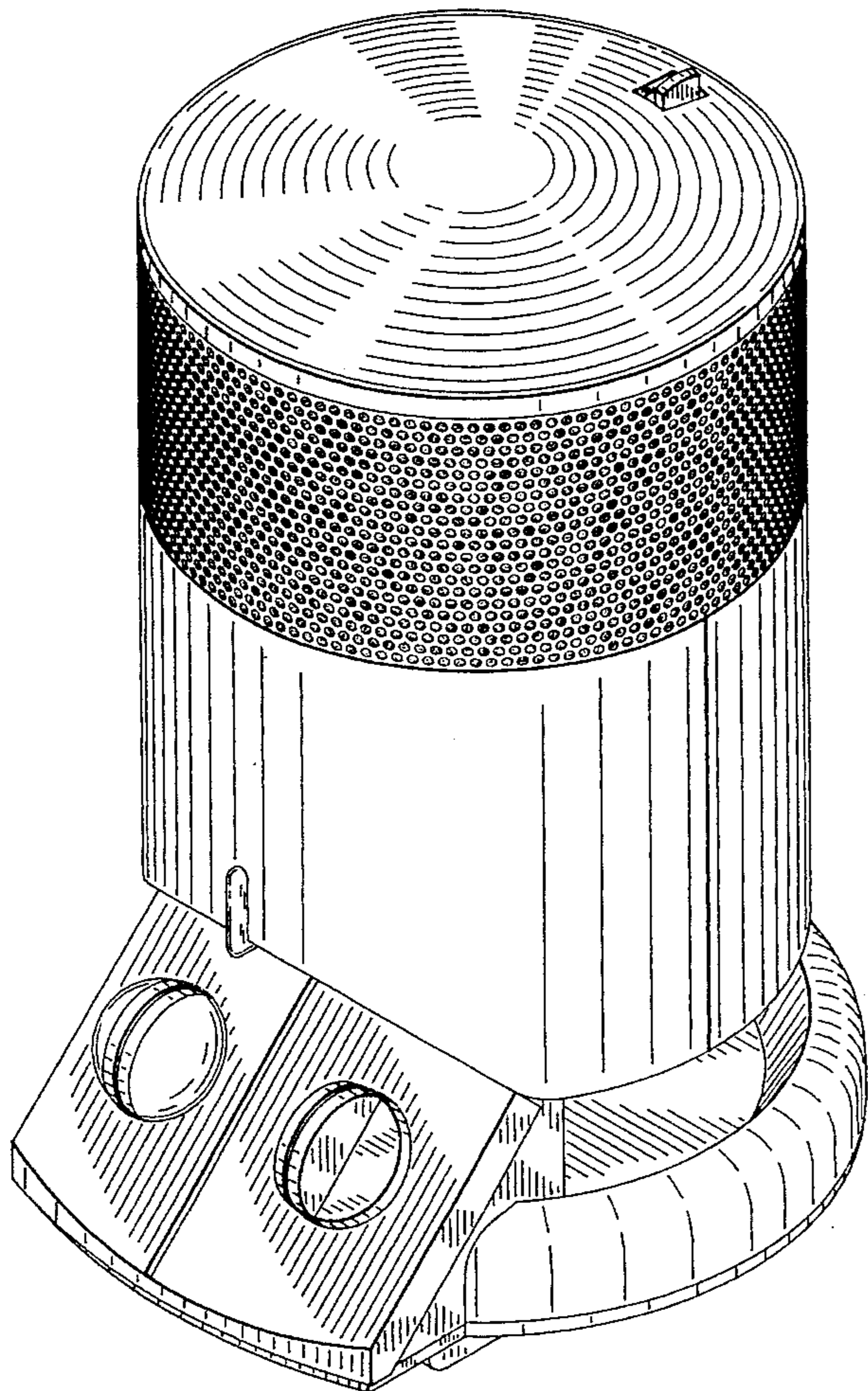
[57] **CLAIM**

The ornamental design for a portable electric heater, as shown.

DESCRIPTION

FIG. 1 is a front right perspective view of a portable electric heater;
FIG. 2 is a front elevational view thereof;
FIG. 3 is a rear elevational view thereof;
FIG. 4 is a right side elevational view thereof;
FIG. 5 is a left side elevational view thereof;
FIG. 6 is a top plan view thereof; and,
FIG. 7 is a bottom plan view thereof.

1 Claim, 6 Drawing Sheets



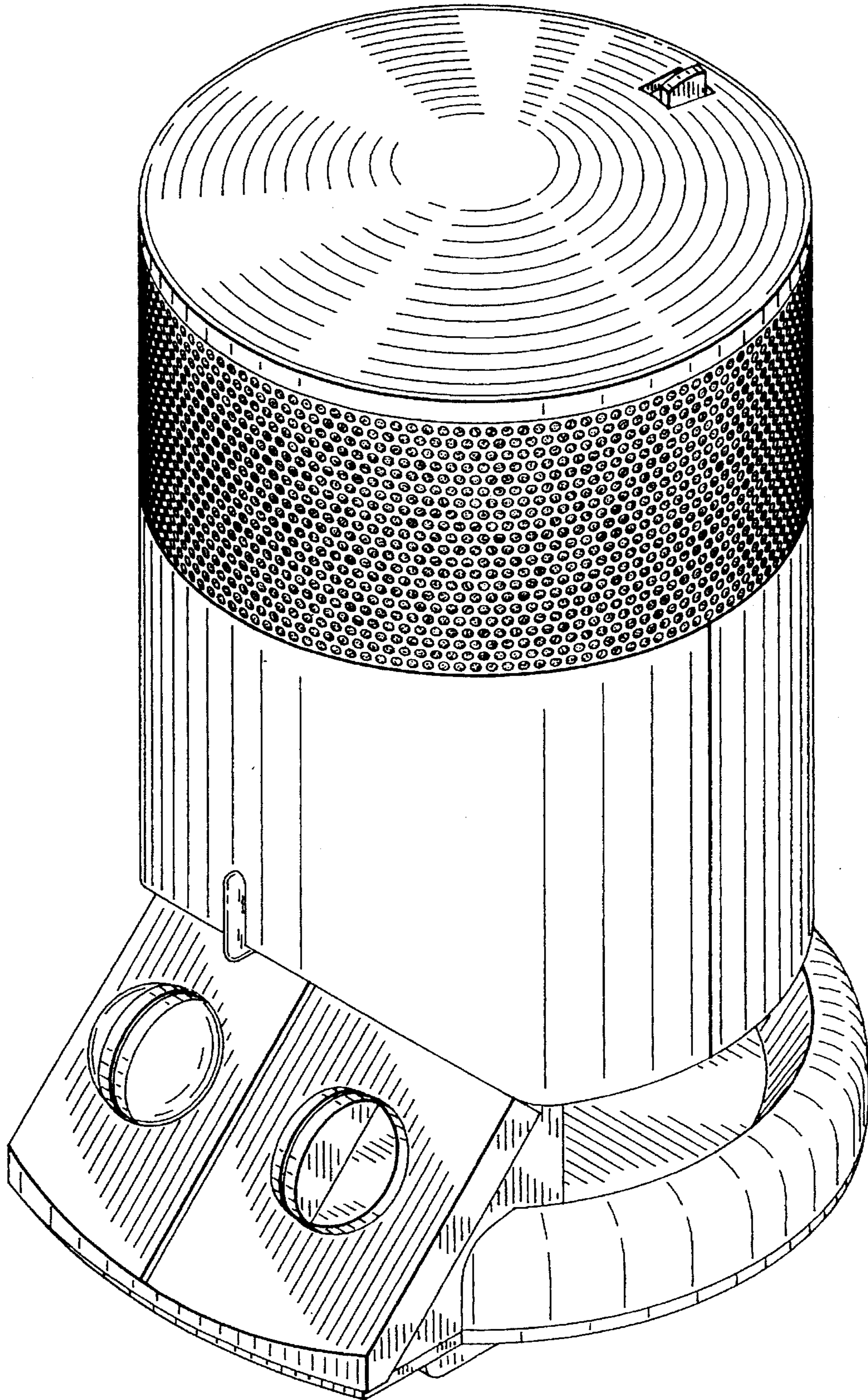


FIG. 1

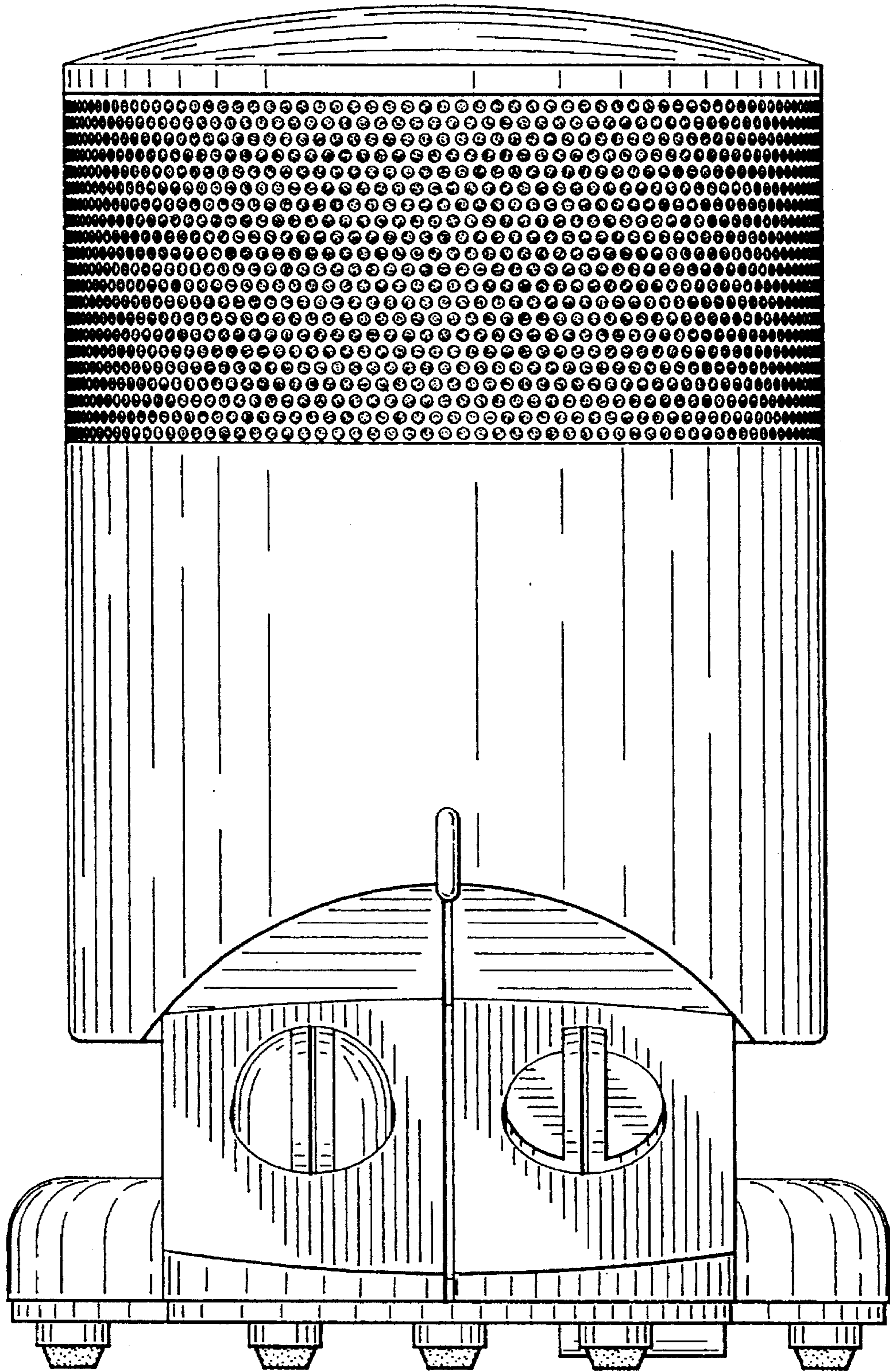


FIG. 2

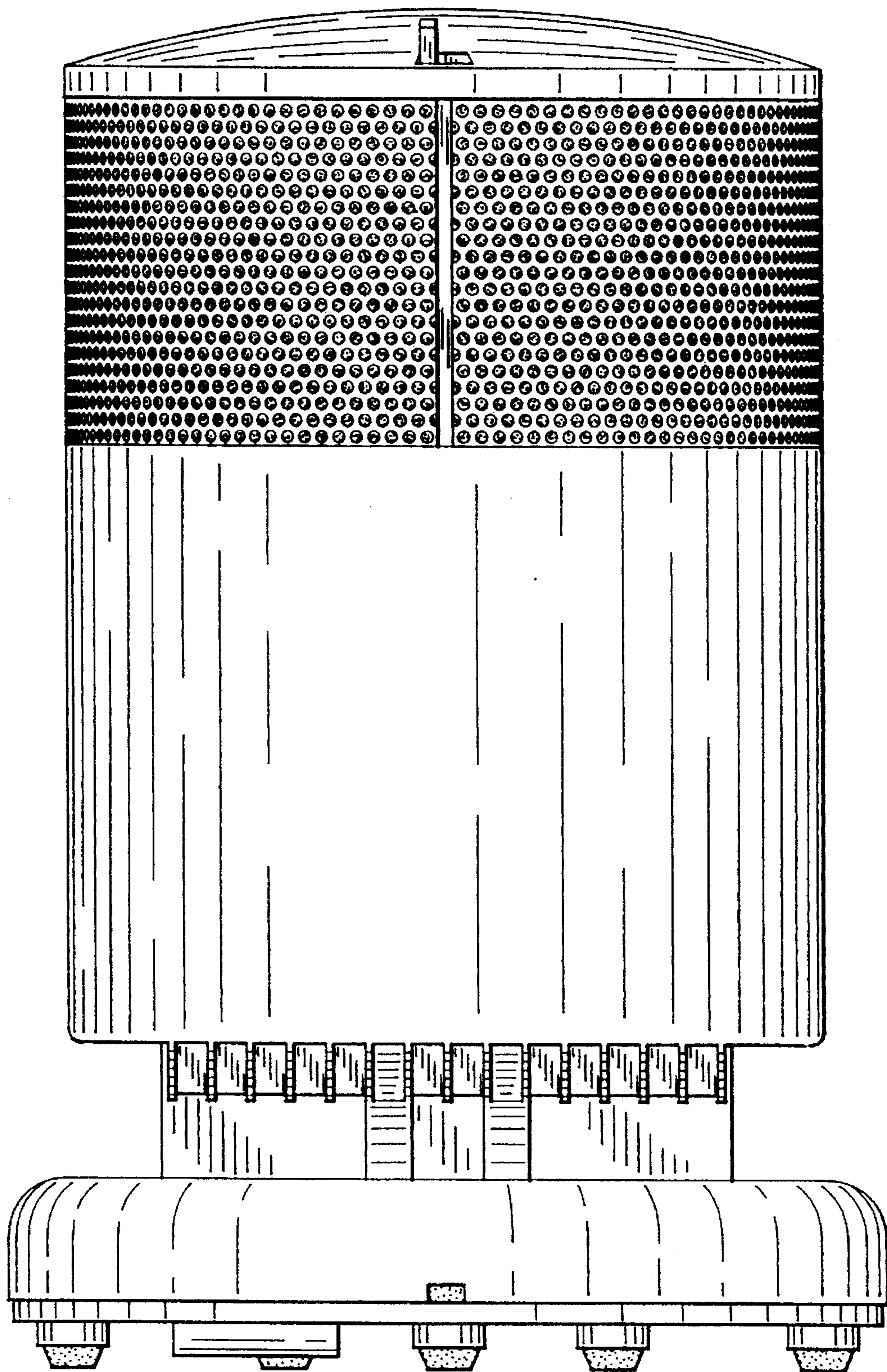


FIG. 3

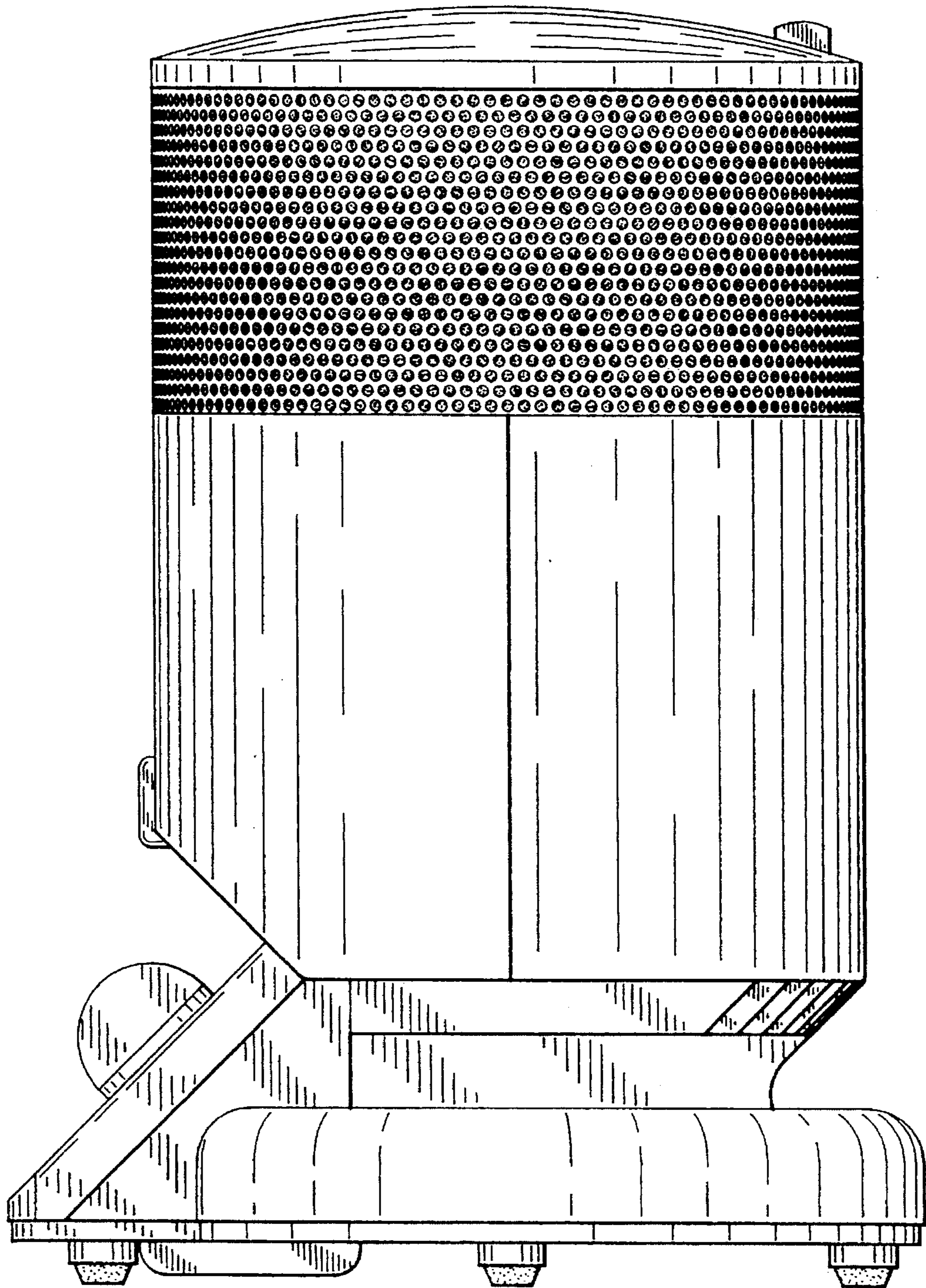


FIG. 4

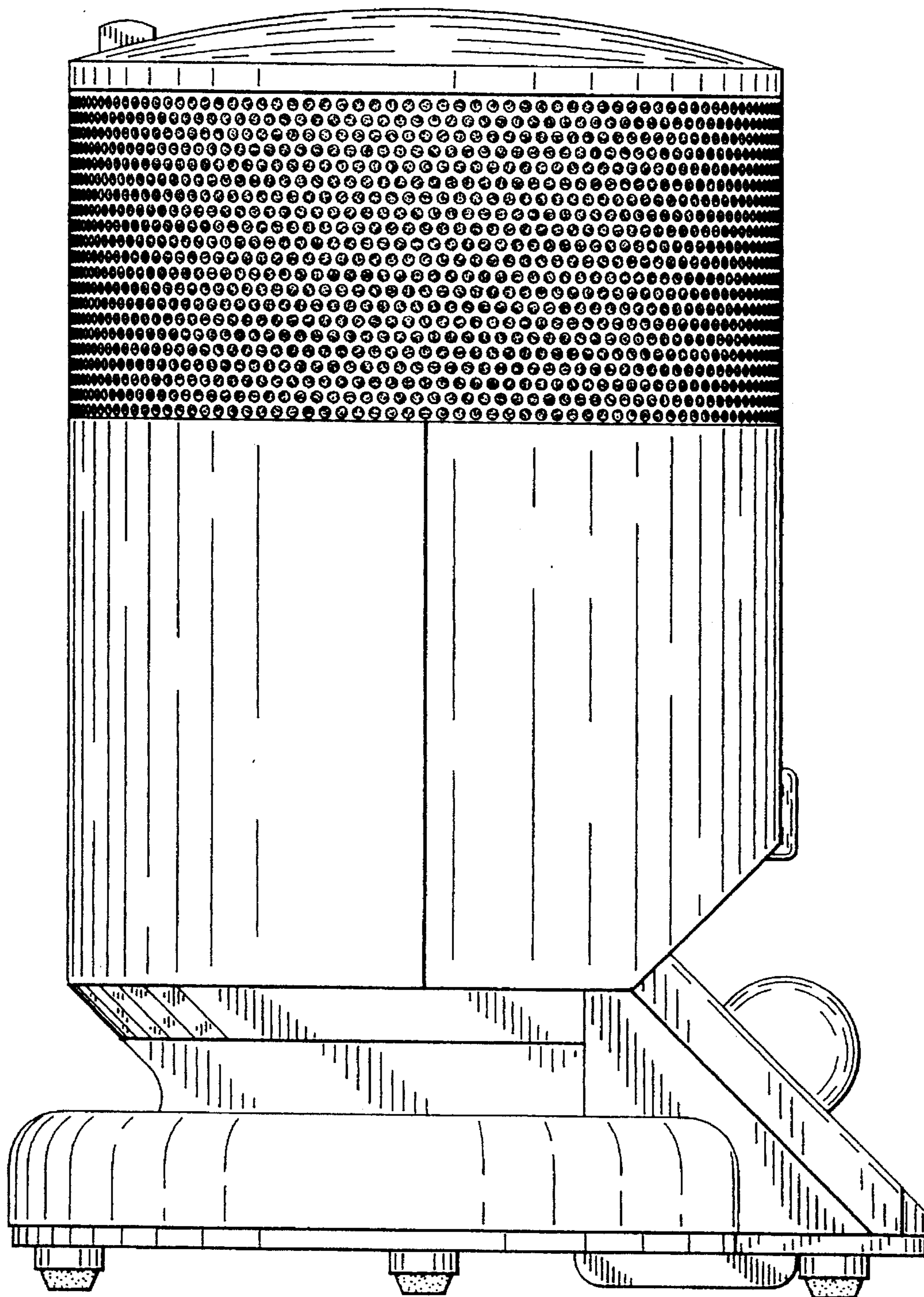


FIG. 5

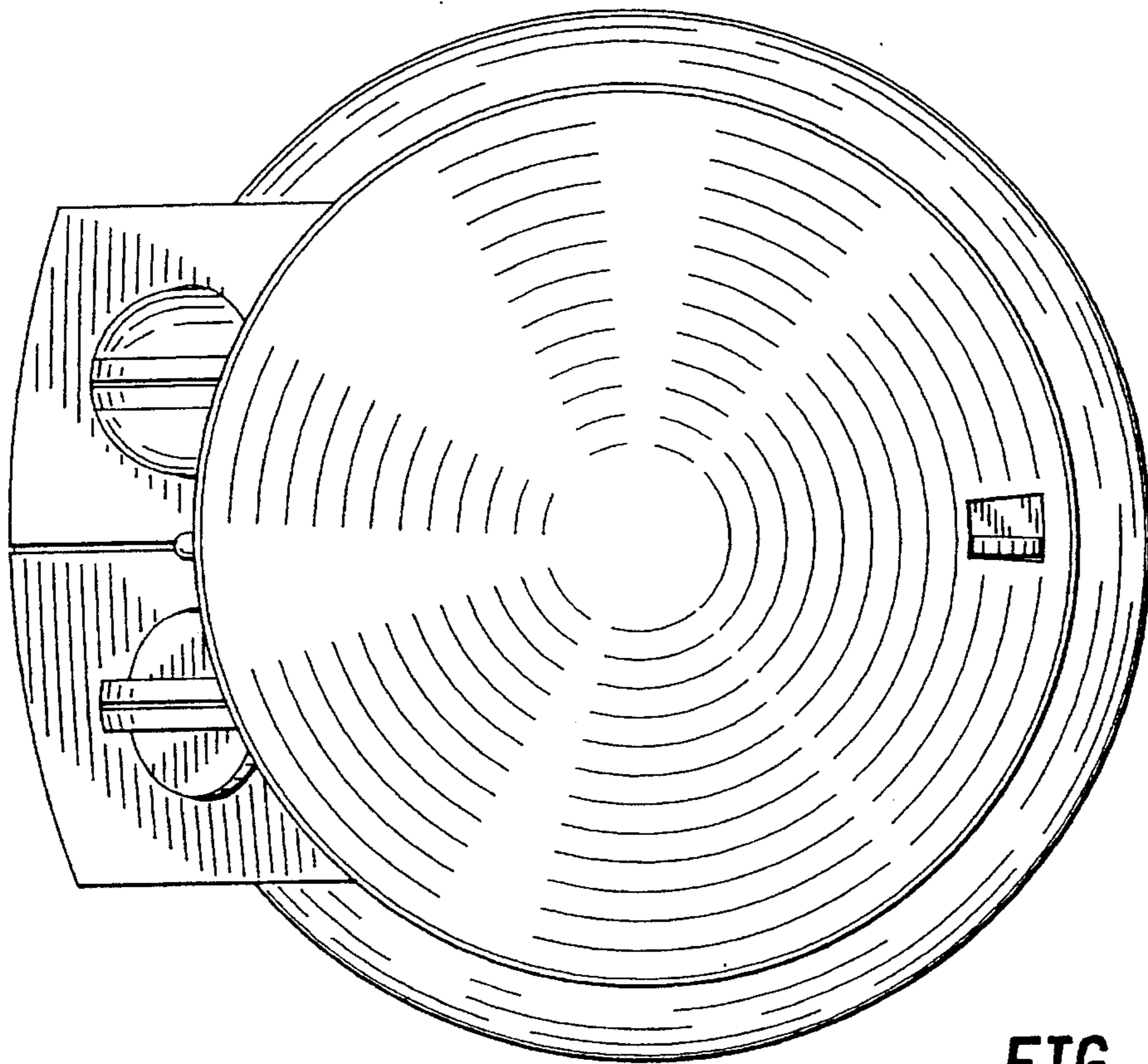


FIG. 6

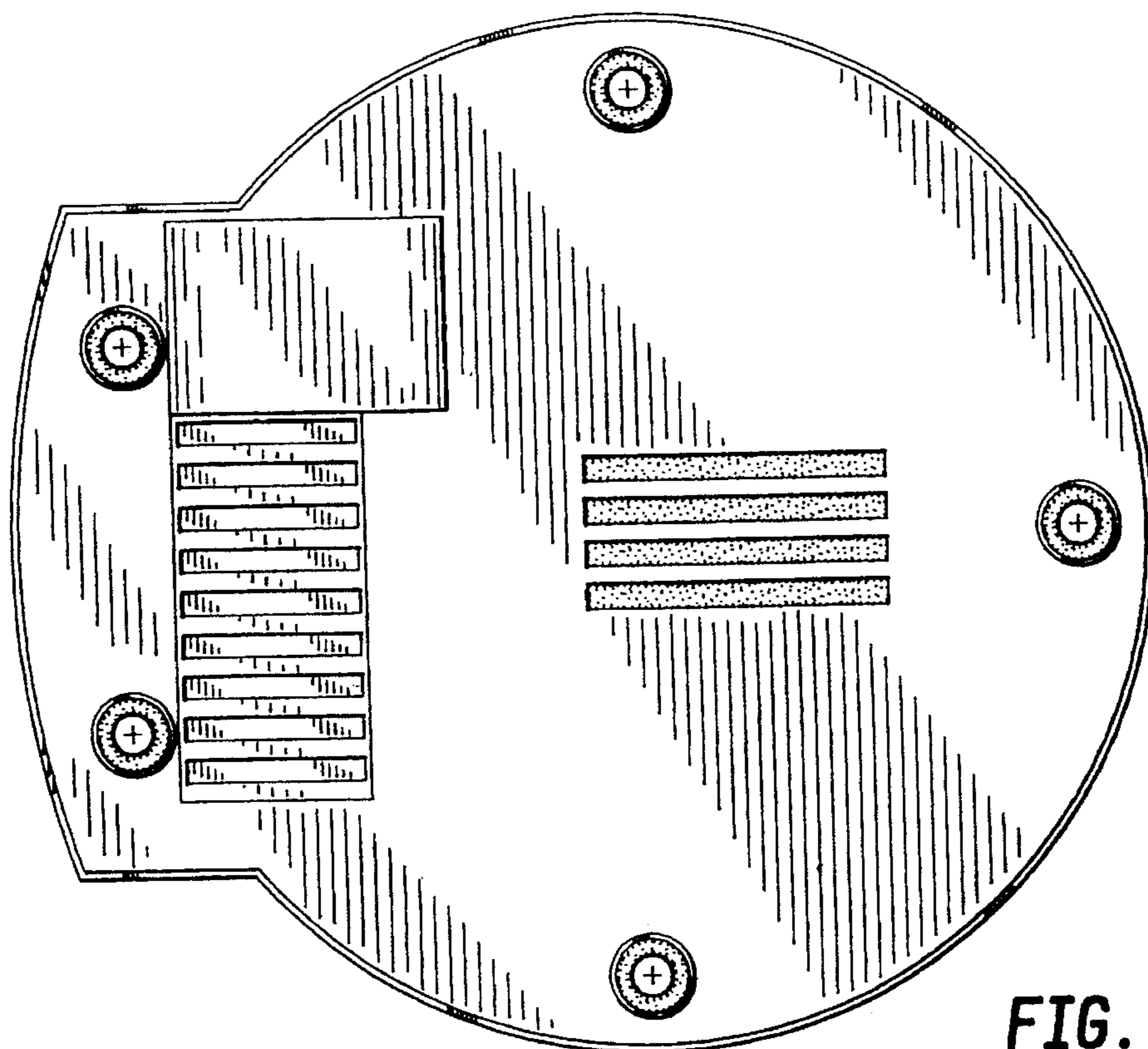


FIG. 7