



US00D374711S

# United States Patent [19] Regas

[11] Patent Number: **Des. 374,711**  
[45] Date of Patent: **\*\*Oct. 15, 1996**

[54] **TOILET SEAT LIFTER**

[75] Inventor: **Randall W. Regas**, Sugar Land, Tex.

[73] Assignee: **JKJ Incorporated**, Stafford, Tex.

[\*\*] Term: **14 Years**

[21] Appl. No.: **31,061**

[22] Filed: **Nov. 16, 1994**

[52] U.S. Cl. .... **D23/309**

[58] Field of Search ..... D23/309; 4/234,  
4/237, 236, 238, 240, 241, 246.1, 661

[56] **References Cited**

**U.S. PATENT DOCUMENTS**

D. 296,658	7/1988	Mead et al. ....	4/246.1 X
D. 309,091	7/1990	Shepard .....	D8/305
1,127,919	2/1915	Pfau .	
1,999,555	4/1935	Adams .....	4/251
2,236,576	4/1941	Loebner .....	4/251
2,758,315	8/1956	Hylton .....	4/251
3,191,193	6/1965	Bogenberger .....	4/251
3,717,884	2/1973	Mantooth .....	4/237
3,783,455	1/1974	Vanderbrook .....	4/237
3,935,601	2/1976	Hermann .....	4/251
4,051,560	10/1977	Audet .....	4/237 X
4,129,907	12/1978	Vaughan et al. ....	4/251

4,920,586	5/1990	Giallourakis .....	4/251
4,951,324	8/1990	Lirette .....	4/251
5,220,693	6/1993	Paglia .....	4/246.1 X

*Primary Examiner*—Louis S. Zarfes  
*Assistant Examiner*—Eric Watterson  
*Attorney, Agent, or Firm*—Pravel, Hewitt, Kimball & Krieger

[57] **CLAIM**

The ornamental design for a toilet seat lifter, as shown.

**DESCRIPTION**

FIG. 1 is a top view of the present invention with a toilet seat shown in phantom view;  
FIG. 2 is an enlarged section view of the present invention taken along lines 2—2 of FIG. 1 with the toilet seat shown in phantom view;  
FIG. 3 is a top view of the present invention;  
FIG. 4 is a rear view of the present invention;  
FIG. 5 is a side view of the present invention. The opposite side of the present invention is a mirror image of FIG. 5;  
FIG. 6 is a front view of the present invention; and,  
FIG. 7 is a bottom view of the present invention.  
The broken line showing is for illustrative purposes only and forms no part of the claimed design.

**1 Claim, 1 Drawing Sheet**

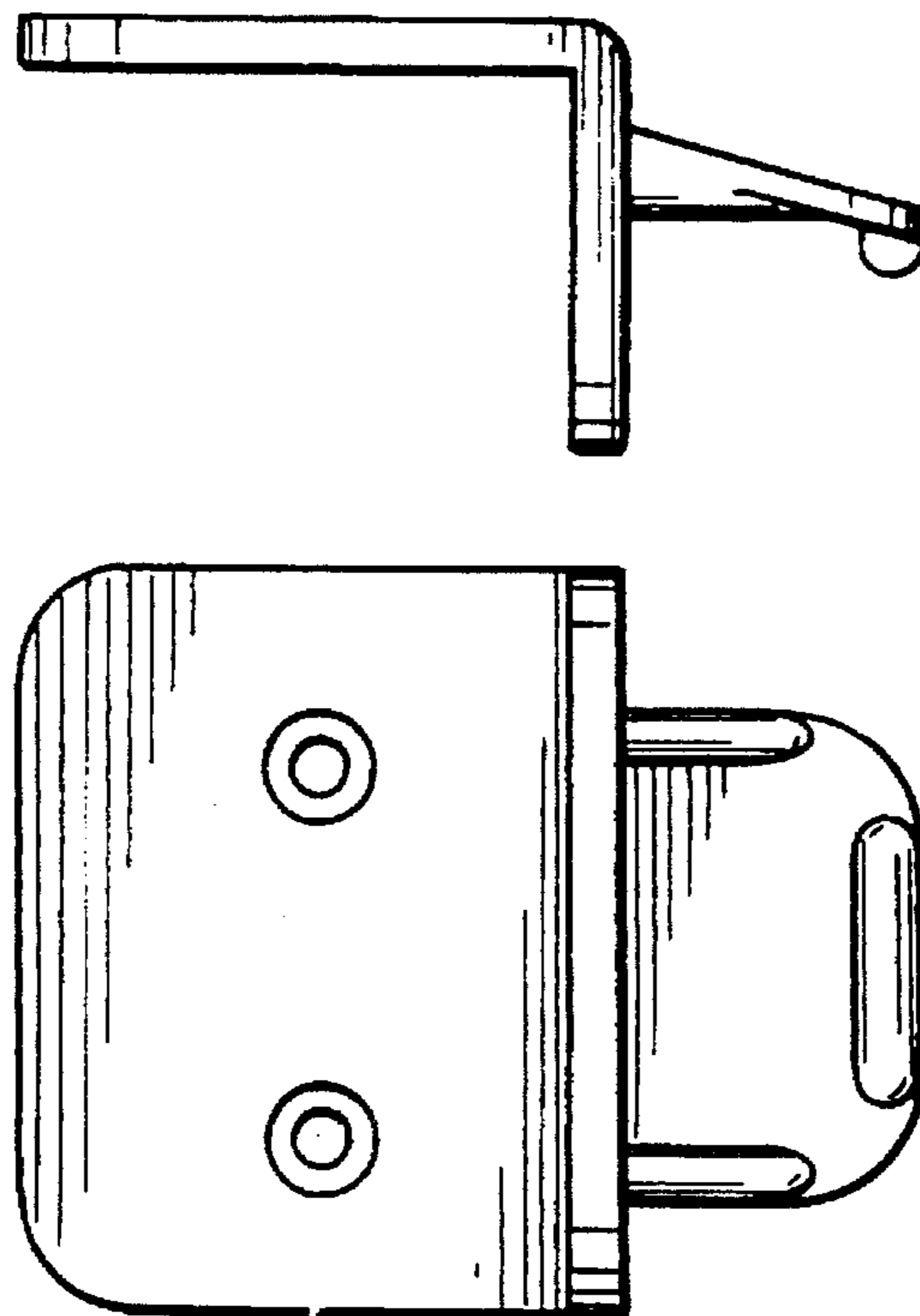


FIG. 1

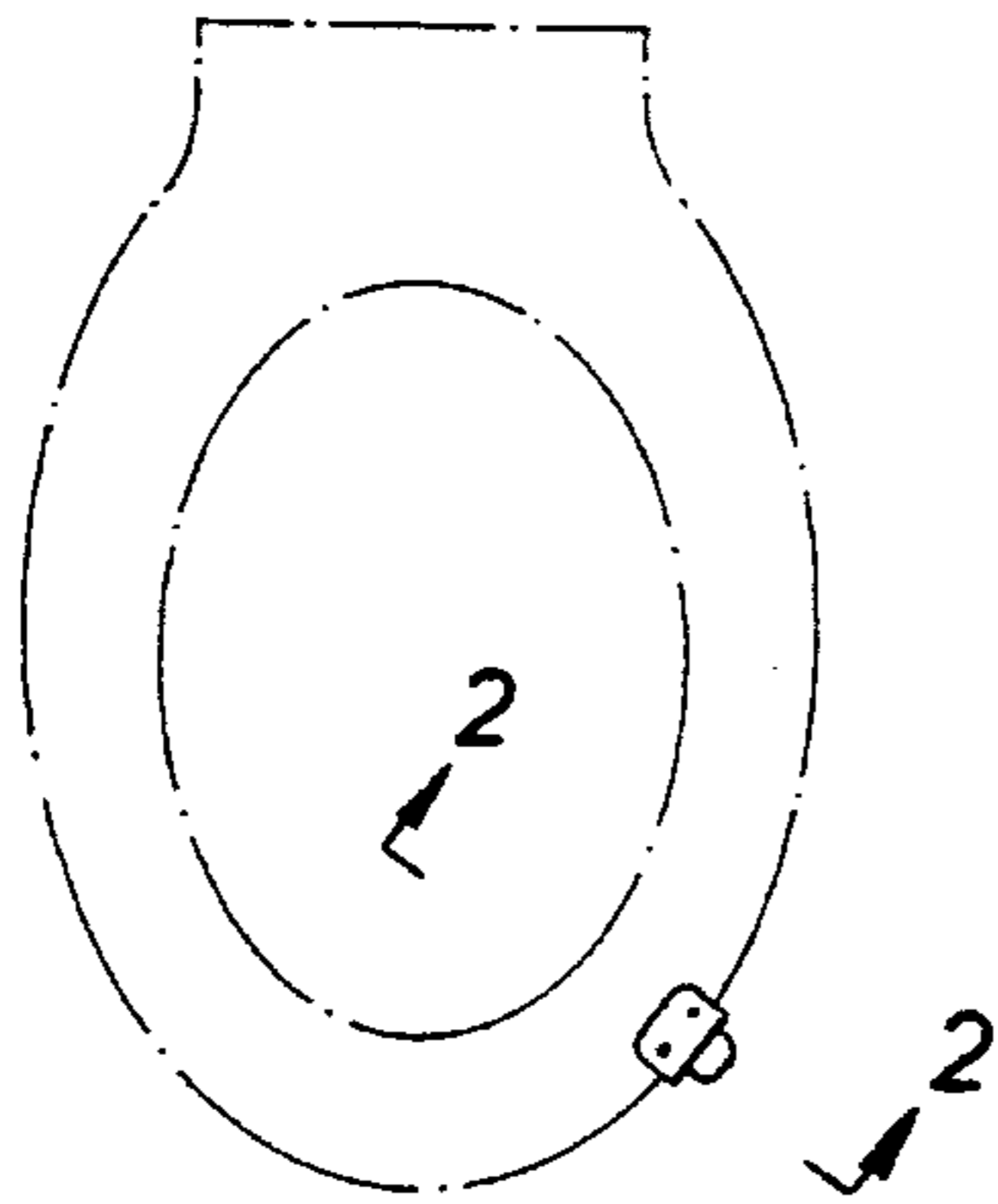


FIG. 2

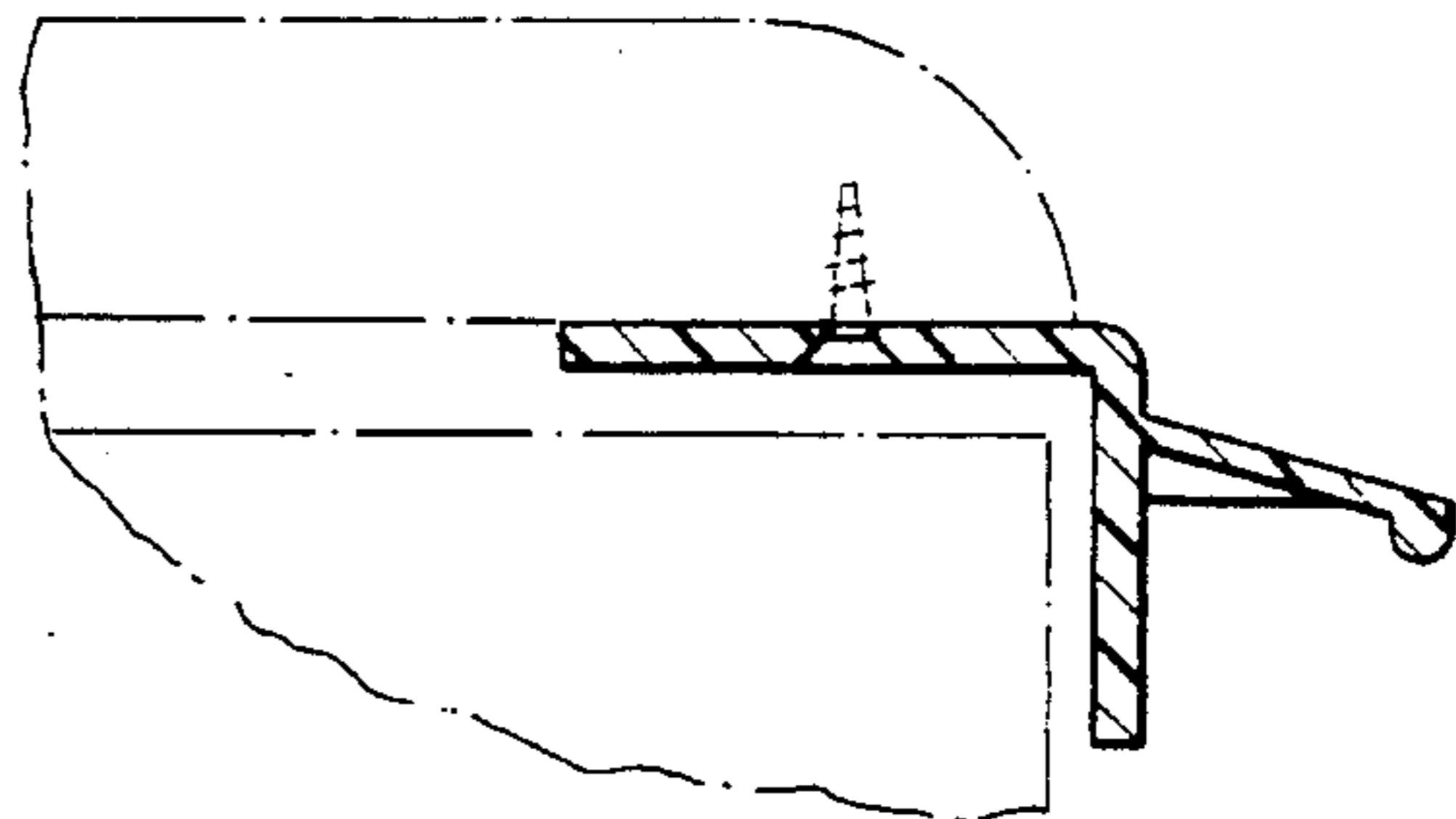


FIG. 3

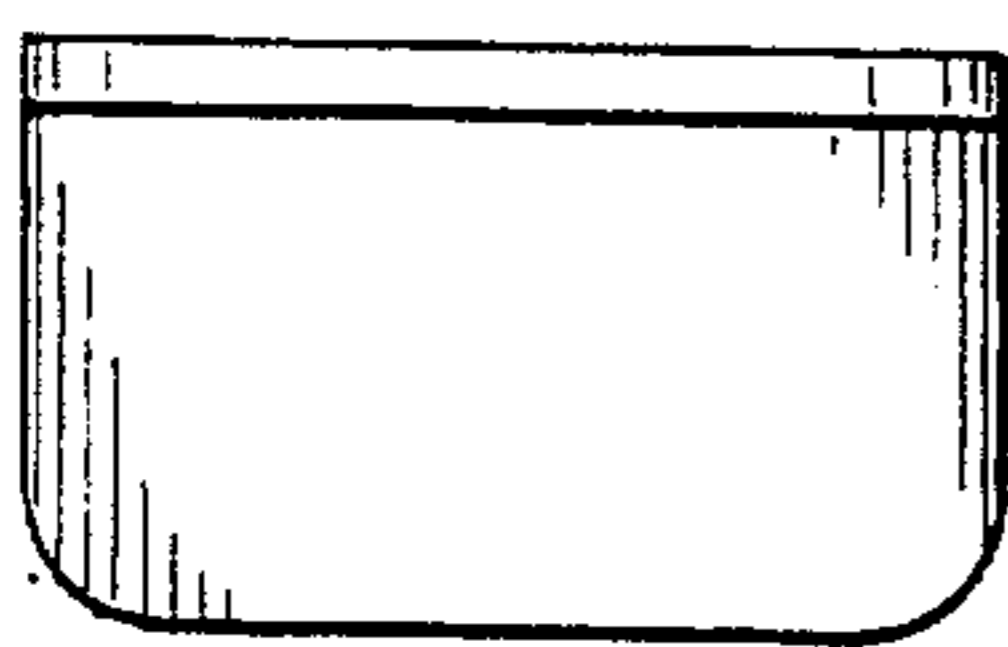
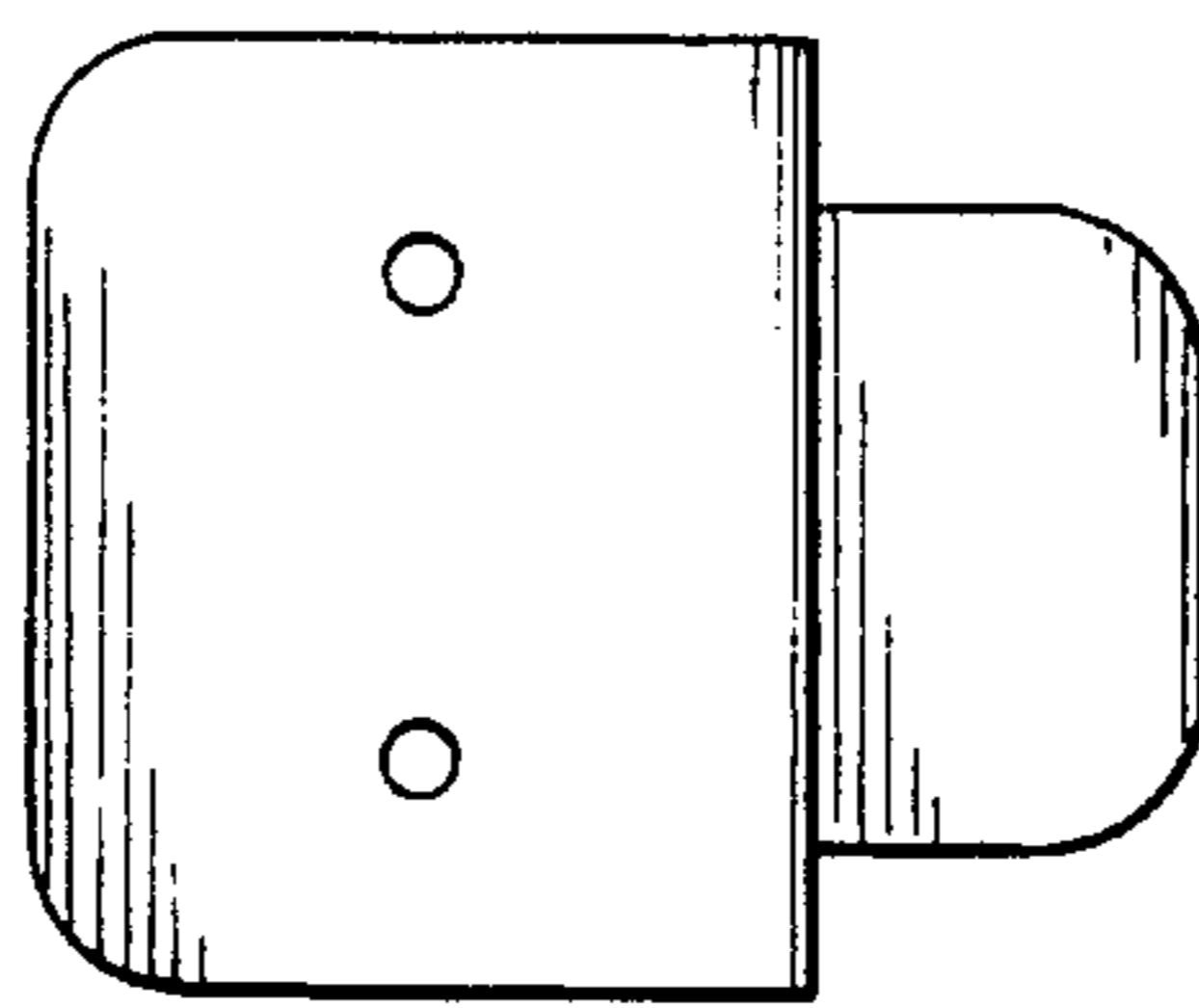


FIG. 4

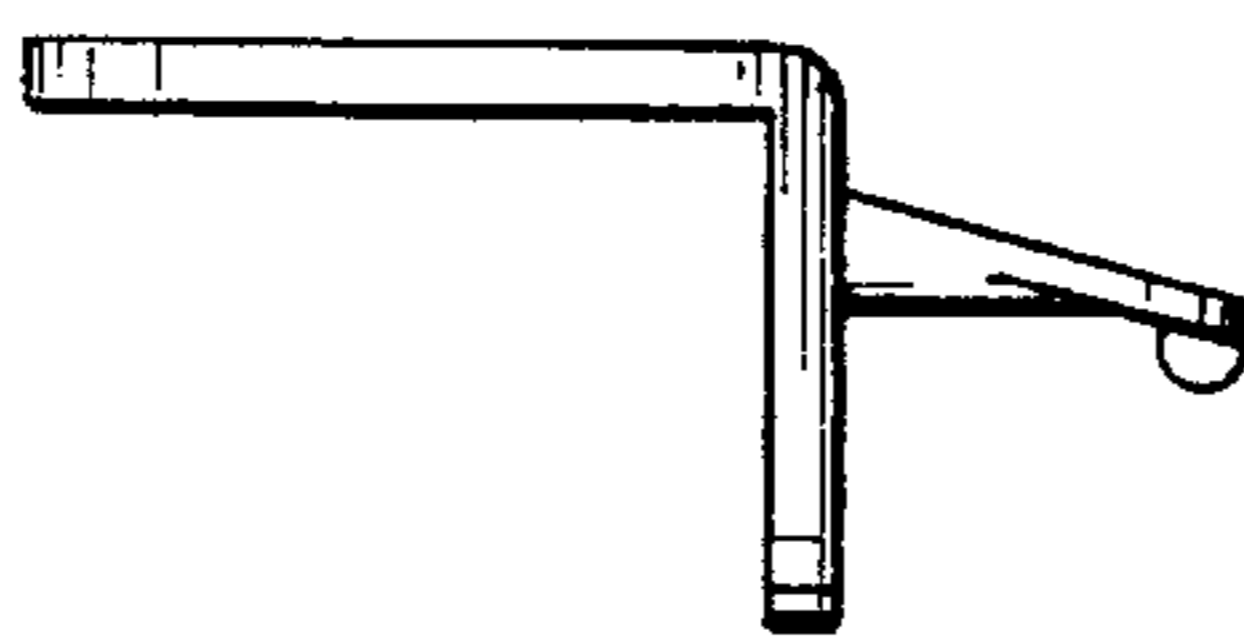


FIG. 5

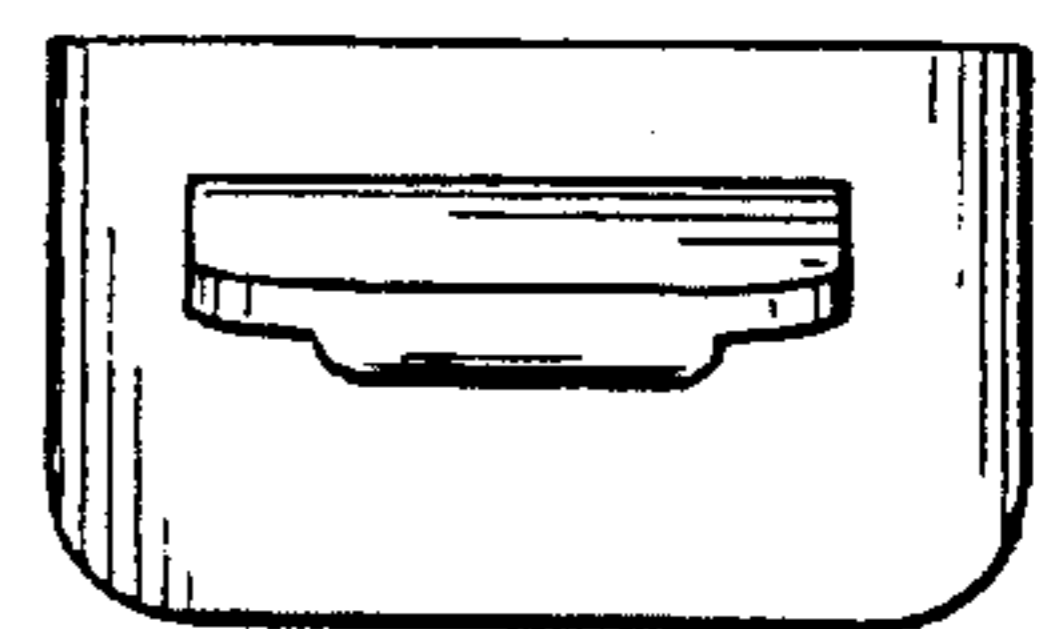


FIG. 6

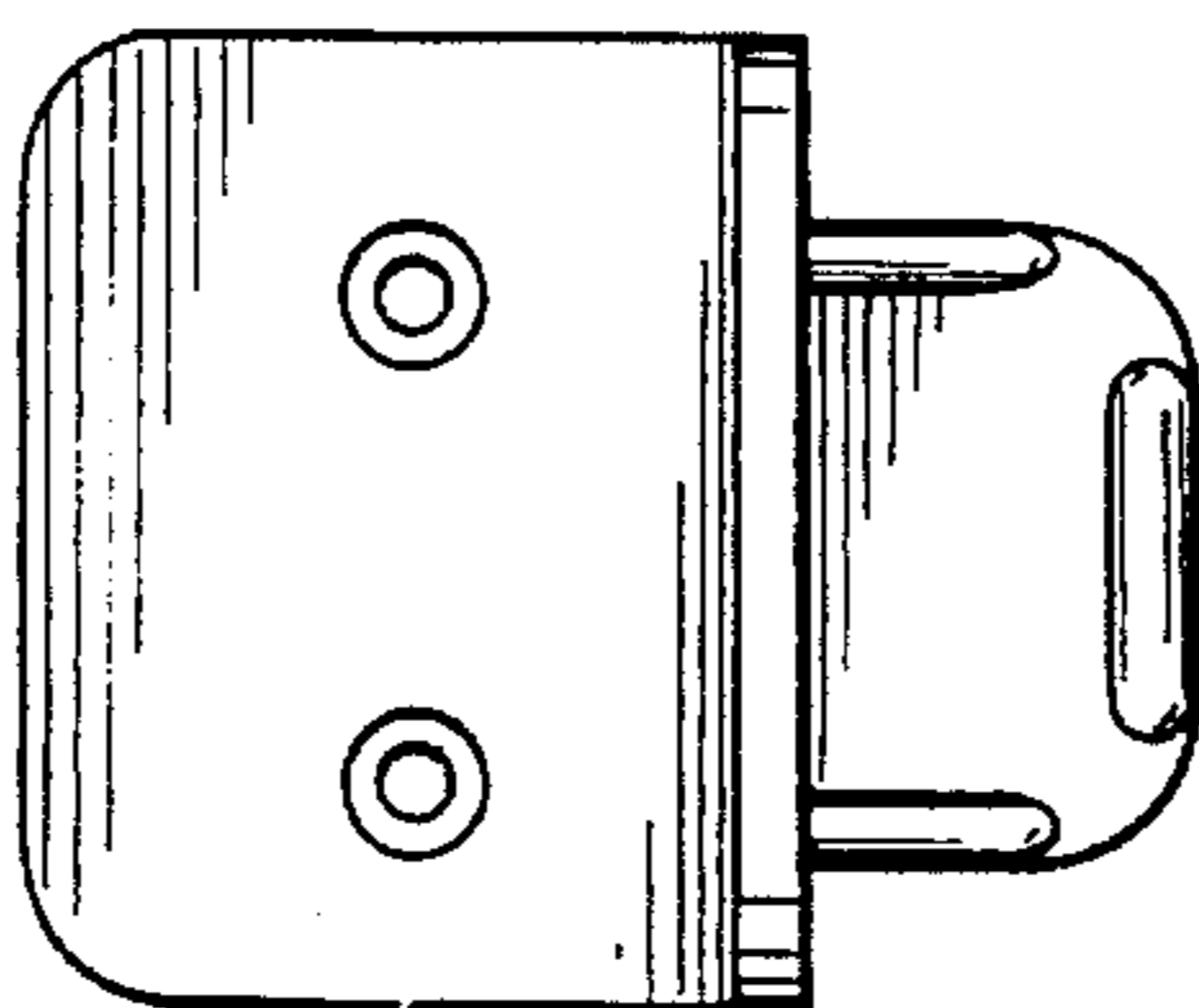


FIG. 7