



US00D374709S

United States Patent [19]

Doughty et al.

[11] Patent Number: **Des. 374,709**

[45] Date of Patent: ****Oct. 15, 1996**

[54] FAUCET BASE

D. 279,923 7/1985 Dremann D23/255
D. 288,837 3/1987 Yost .

[75] Inventors: **Frederic C. Doughty**, S. Pasadena;
Darren M. Mark, Castaic, both of
Calif.

Primary Examiner—Stella Reid
Assistant Examiner—Eric Watterson
Attorney, Agent, or Firm—J. Bruce Hoofnagle

[73] Assignee: **Emhart Inc.**, Newark, Del.

[57] **CLAIM**

[**] Term: **14 Years**

The ornamental design for a faucet base, as shown and described.

[21] Appl. No.: **44,303**

[22] Filed: **Sep. 22, 1995**

[52] U.S. Cl. **D23/249**; D23/241

[58] Field of Search D23/238–243,
D23/250–257; 4/675–678; 137/801

DESCRIPTION

FIG. 1 is a top perspective view of a faucet showing my new design;

FIG. 2 is a front elevational view thereof;

FIG. 3 is a rear elevational view thereof;

FIG. 4 is a left side elevational view, the right side being a mirror image thereof;

FIG. 5 is a top plan view thereof;

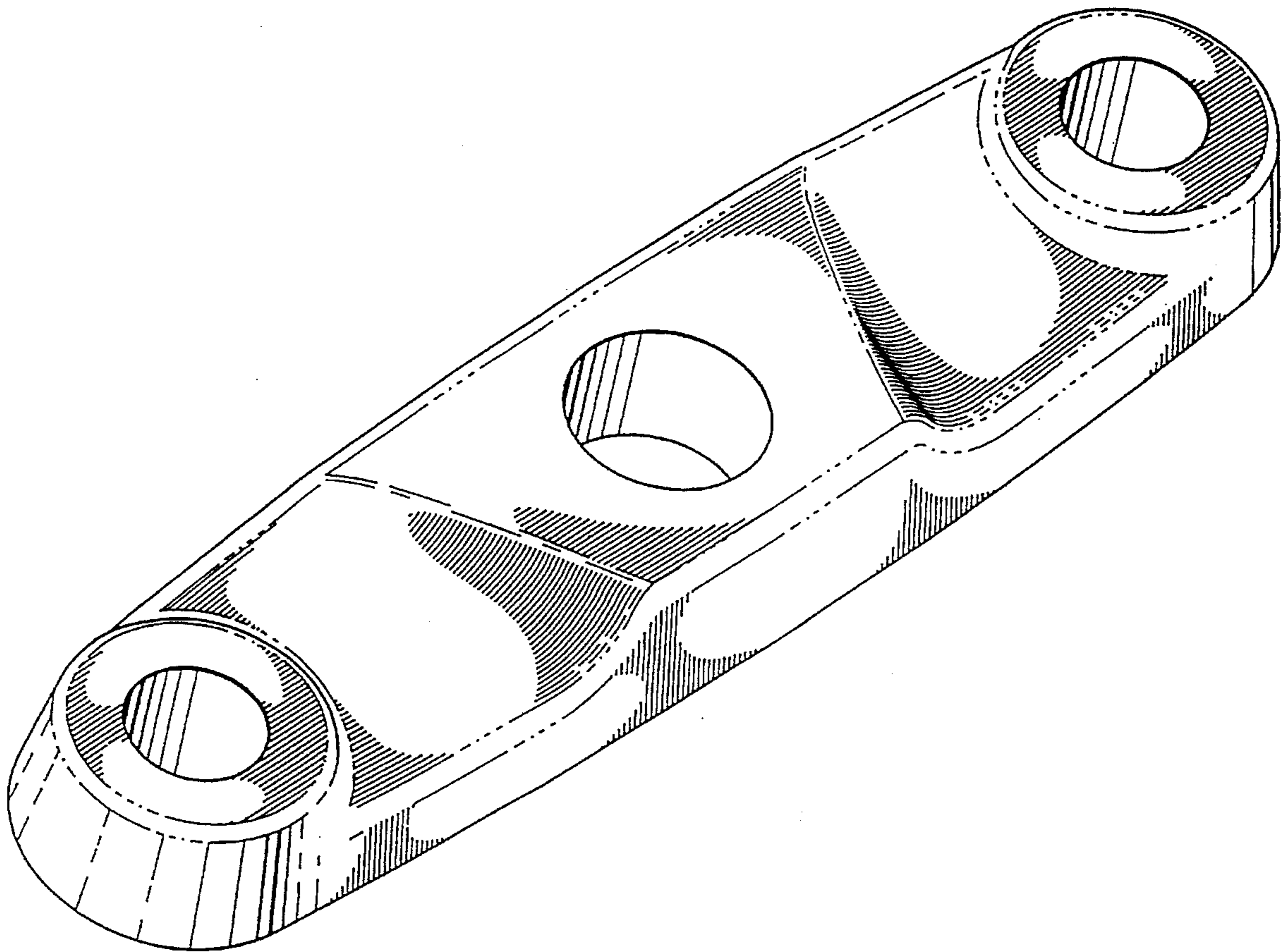
FIG. 6 is a bottom plan view thereof.

[56] References Cited

U.S. PATENT DOCUMENTS

D. 144,249 3/1946 Hinderer D23/243
D. 193,924 10/1962 Horty D23/241
D. 197,455 2/1964 Mackay .
D. 258,519 3/1981 Thevenot D23/243

1 Claim, 3 Drawing Sheets



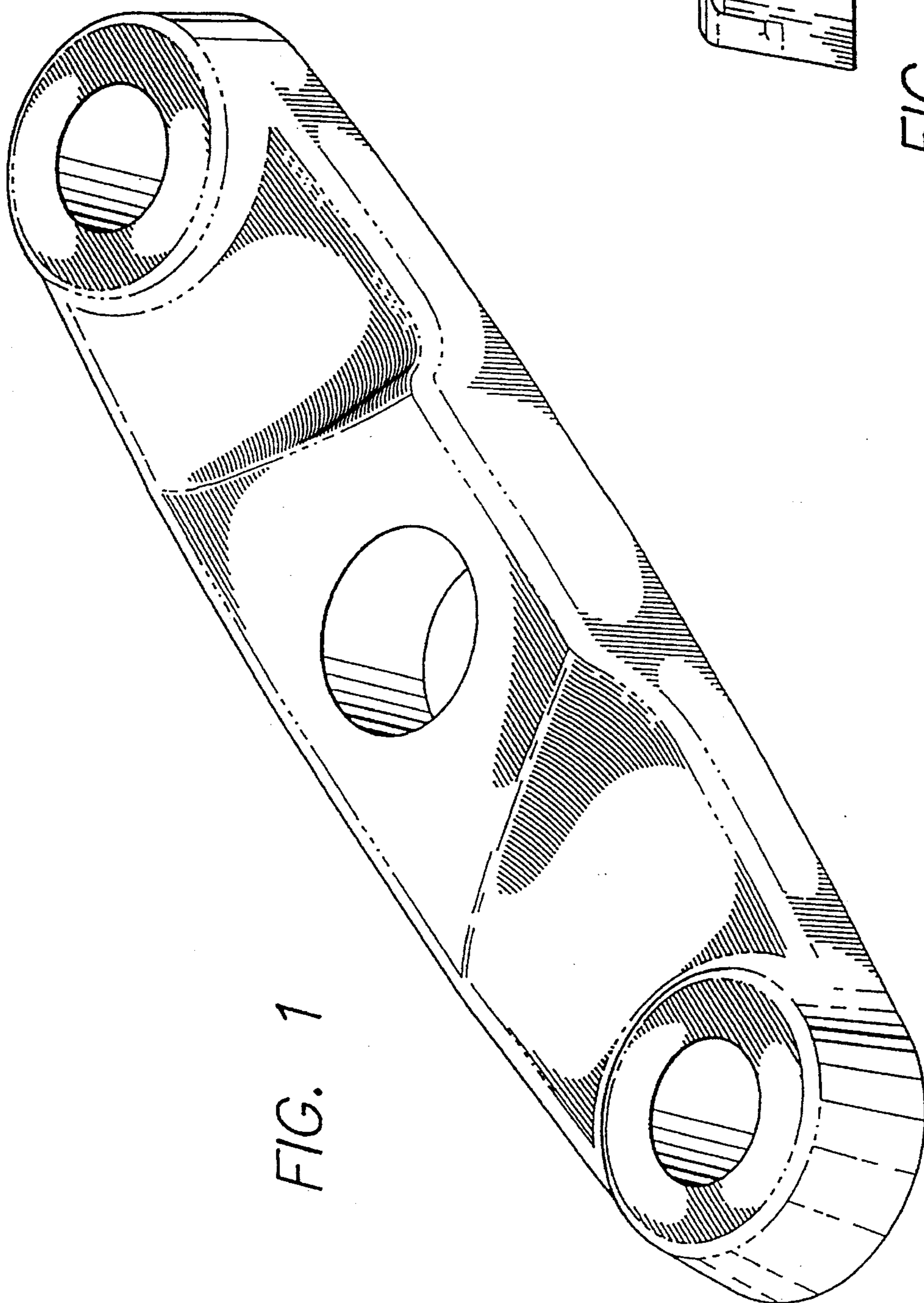


FIG. 1

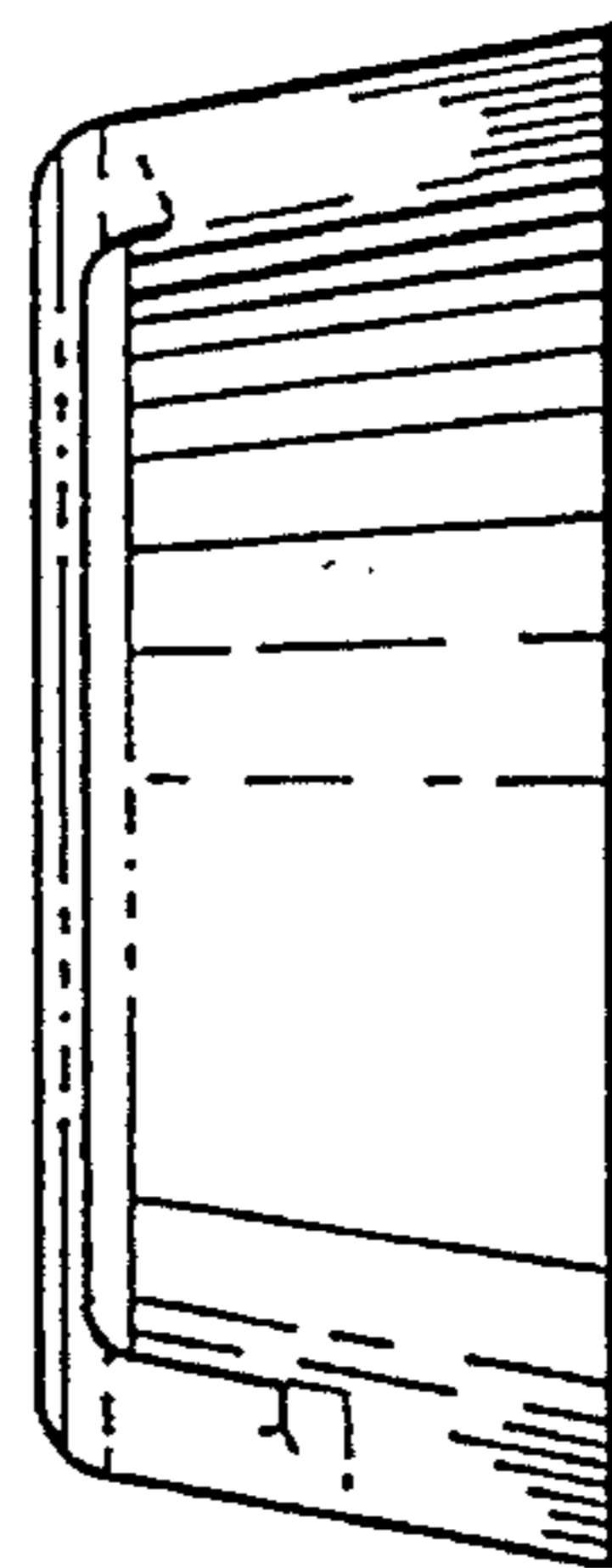


FIG. 4

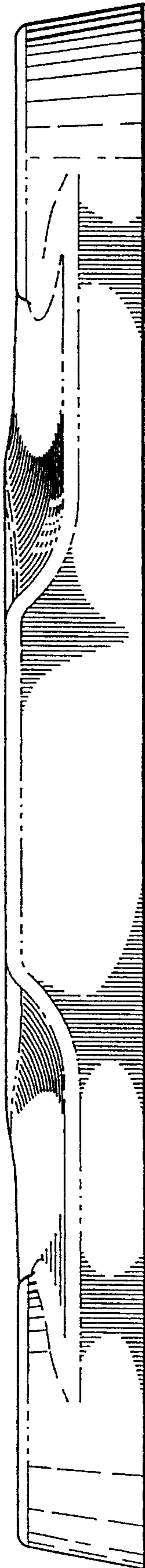


FIG. 2

FIG. 3



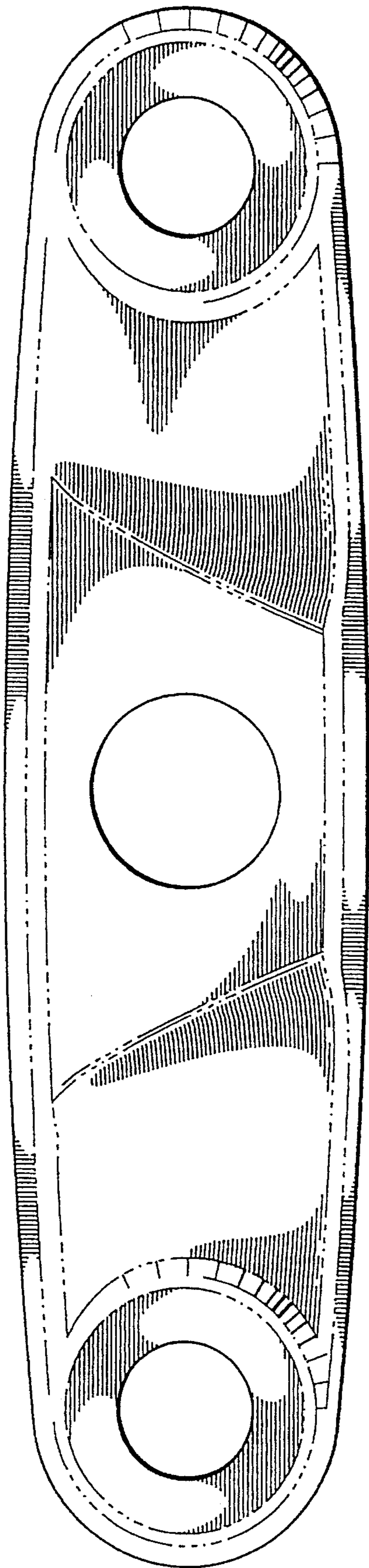


FIG. 5

FIG. 6

