



US00D374708S

United States Patent [19]
Doughty et al.

[11] **Patent Number: Des. 374,708**
[45] **Date of Patent: **Oct. 15, 1996**

[54] **FAUCET**
[75] **Inventors: Frederic C. Doughty, S. Pasadena; Darren M. Mark, Castaic, both of Calif.**
[73] **Assignee: Emhart Inc., Newark, Del.**
[**] **Term: 14 Years**
[21] **Appl. No.: 44,395**
[22] **Filed: Sep. 22, 1995**
[52] **U.S. Cl. D23/243**
[58] **Field of Search D23/238-243, D23/250-257; 4/675-678; 137/801**

D. 229,923 1/1974 Dremann et al. D23/255
D. 253,799 1/1980 Saporito et al. .
D. 258,519 3/1981 Thevenot D23/243
D. 260,677 9/1981 Thevenot .
D. 292,731 11/1987 Gomez .
D. 296,461 6/1988 Yost .
D. 359,342 6/1995 Doughty .

Primary Examiner—Stella Reid
Assistant Examiner—Eric Watterson
Attorney, Agent, or Firm—J. Bruce Hoofnagle

[57] **CLAIM**

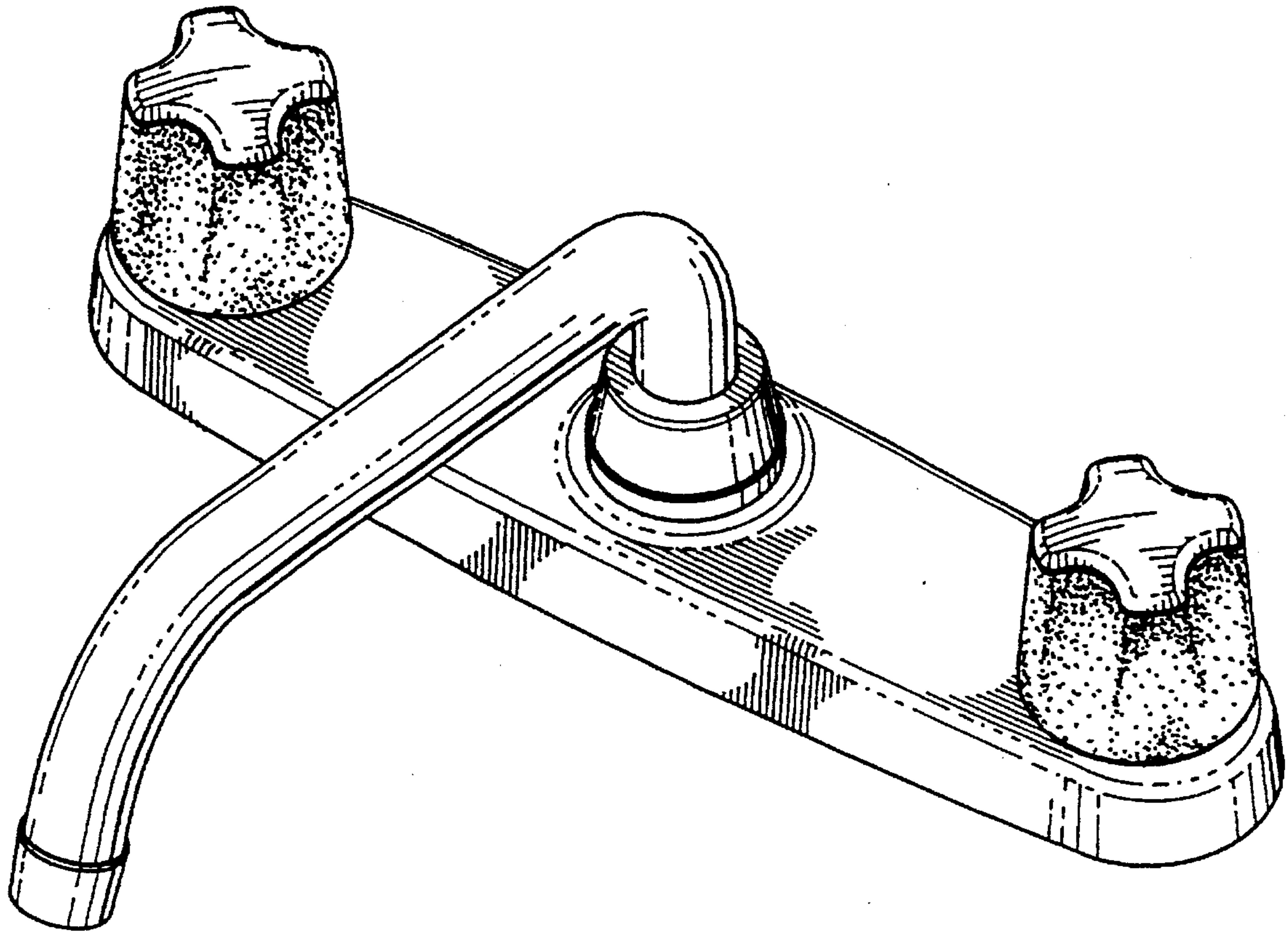
The ornamental design for a faucet, as shown and described.

DESCRIPTION

FIG. 1 is a top perspective view of a faucet showing my new design;
FIG. 2 is a front elevational view thereof;
FIG. 3 is a rear elevational view thereof;
FIG. 4 is a left side elevational view, the right side being a mirror image thereof;
FIG. 5 is a top plan view thereof; and,
FIG. 6 is a bottom plan view thereof.

1 Claim, 3 Drawing Sheets

[56] **References Cited**
U.S. PATENT DOCUMENTS
D. 87,328 7/1932 Brotz .
D. 144,249 3/1946 Hinderer D23/243
D. 176,447 12/1955 Cohen .
D. 182,867 5/1958 Young .
D. 193,924 10/1962 Horty D23/241
D. 207,044 2/1967 Hurwitz .



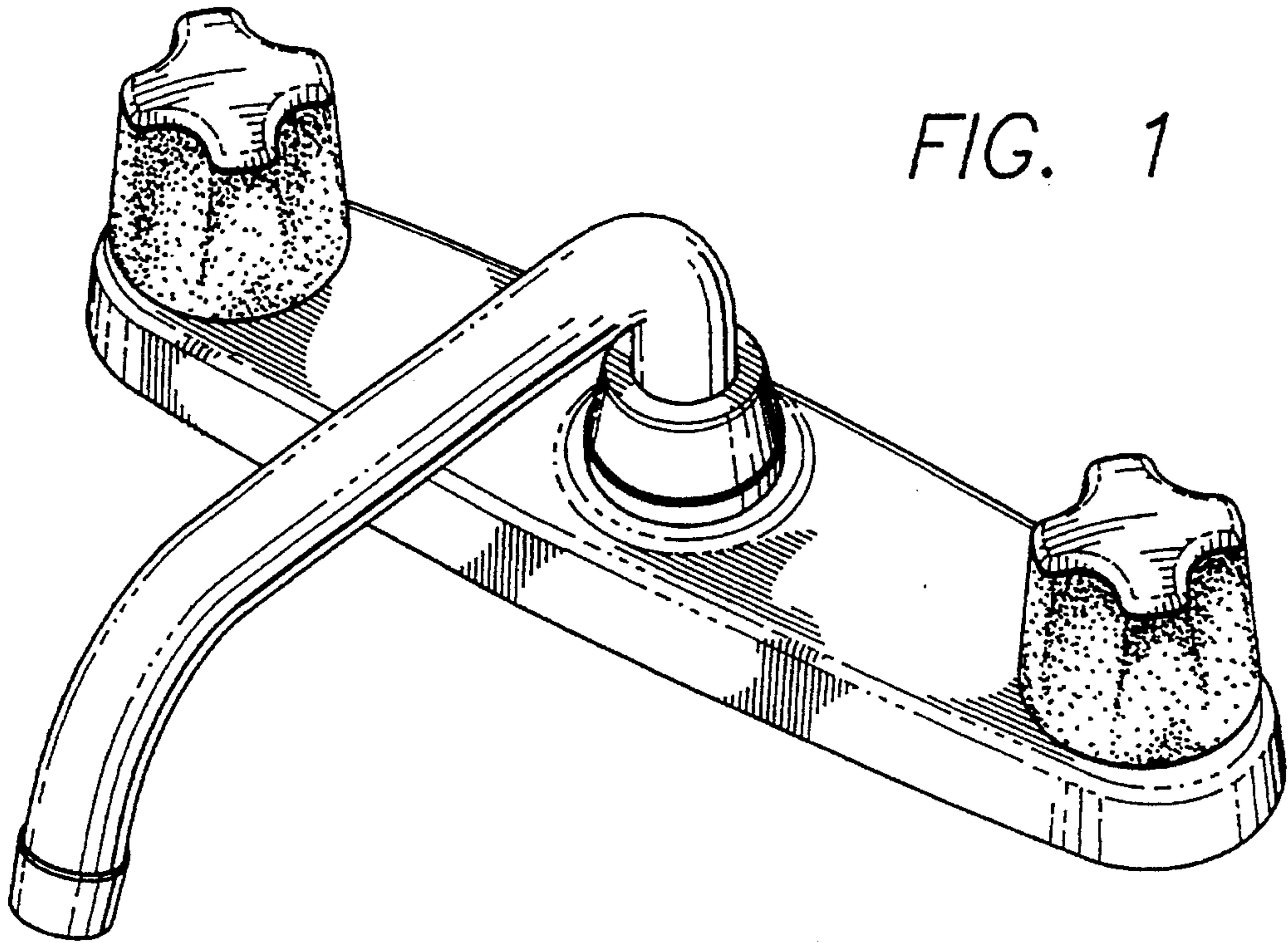


FIG. 1

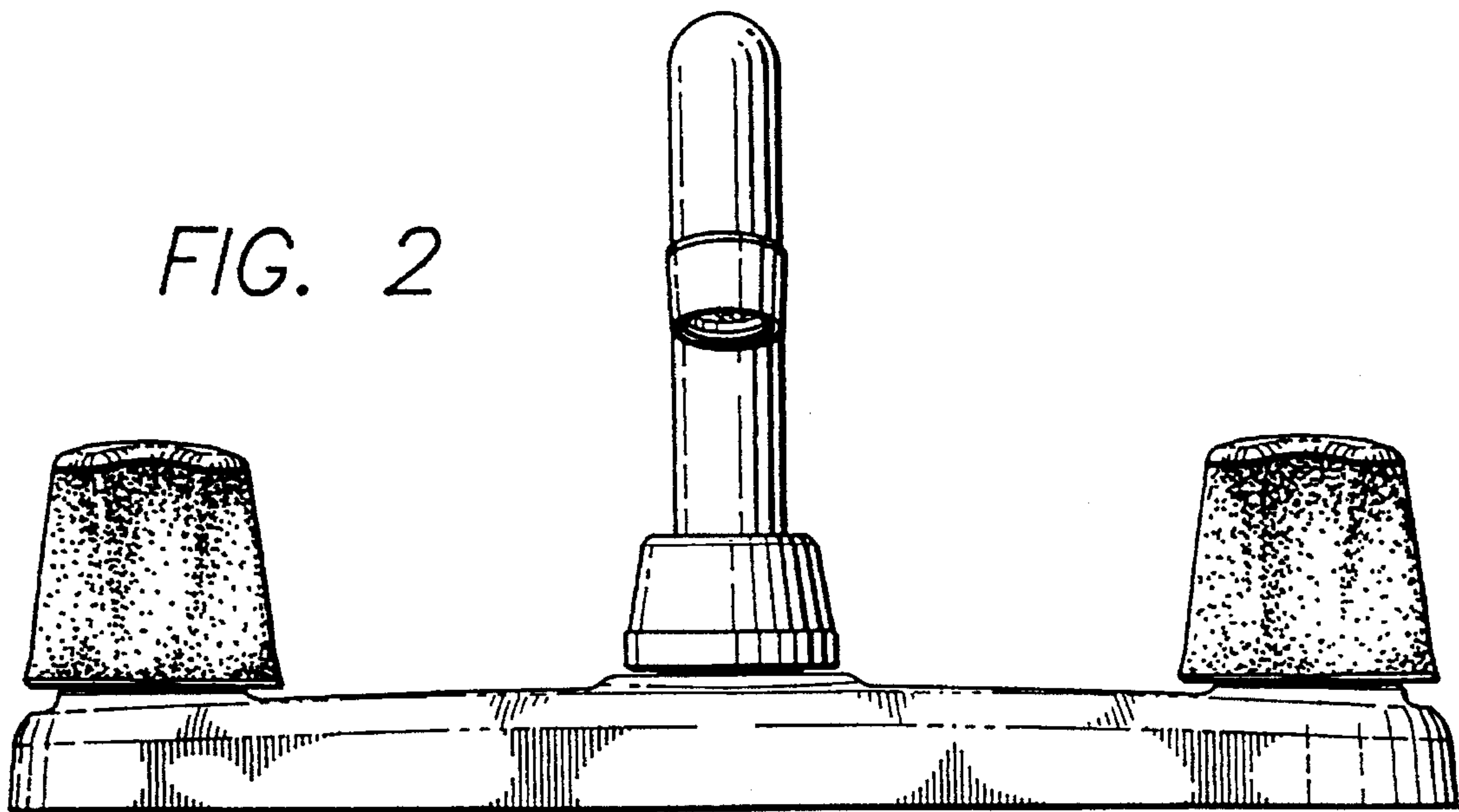


FIG. 2

FIG. 3

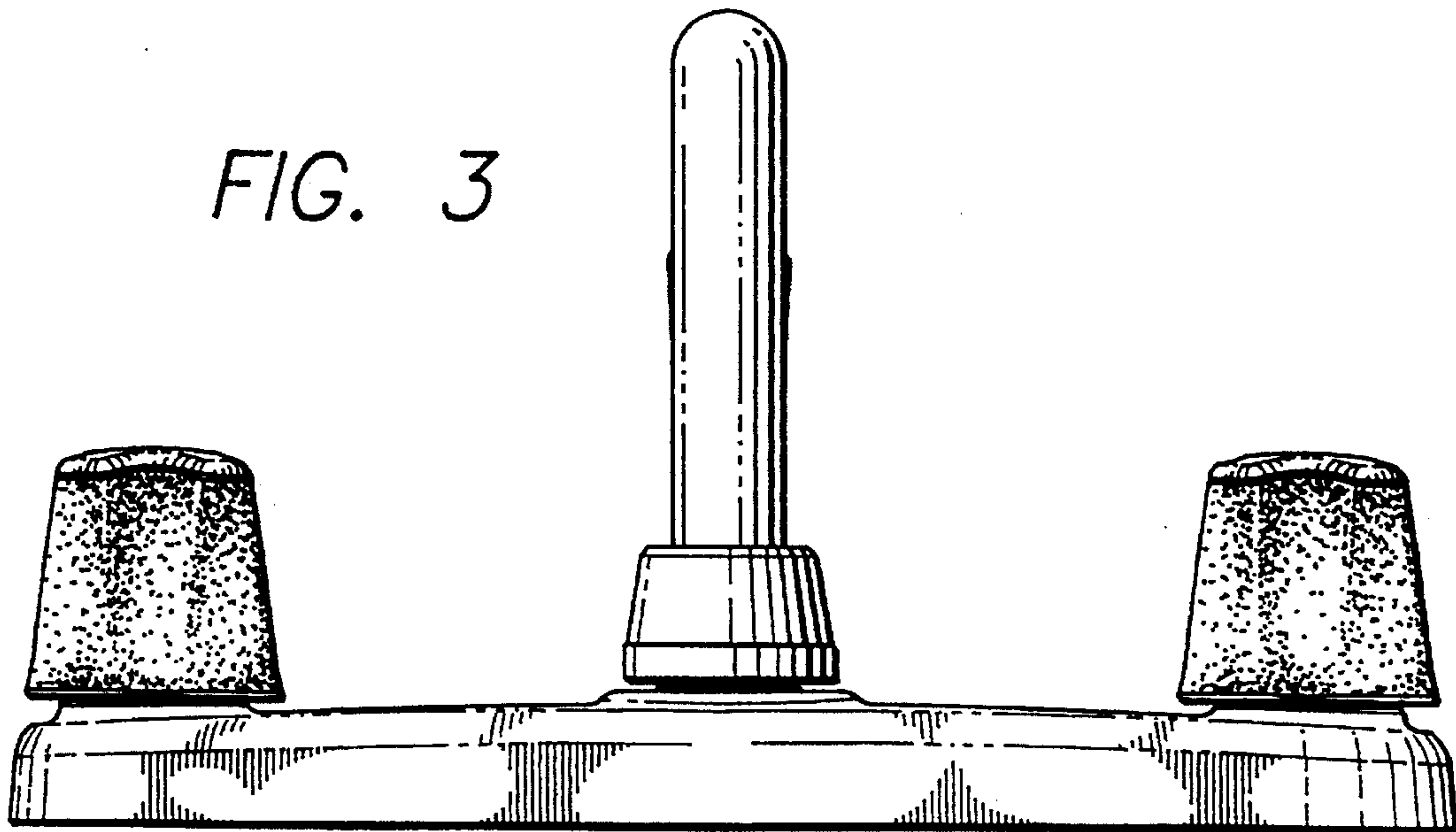
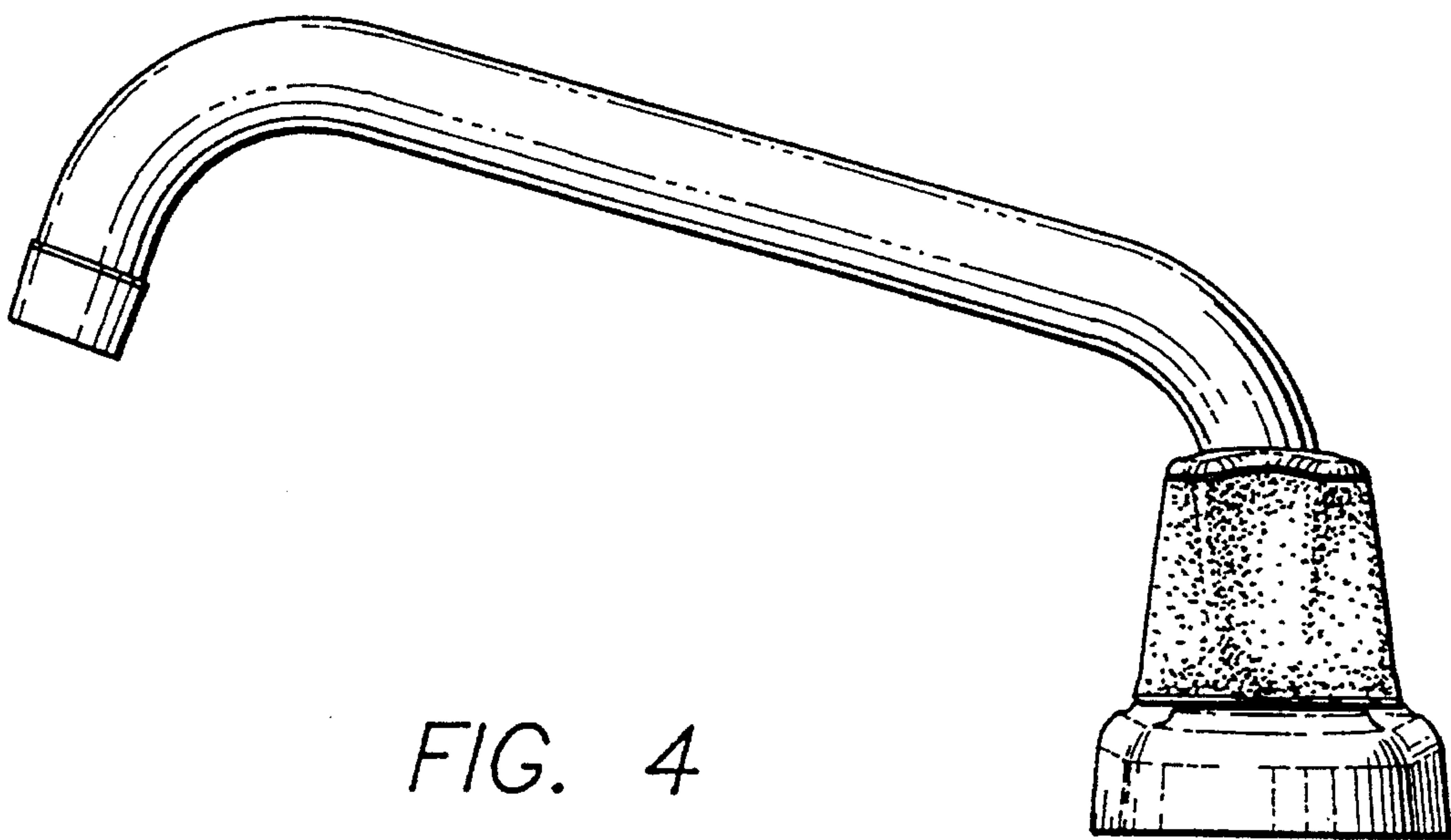


FIG. 4



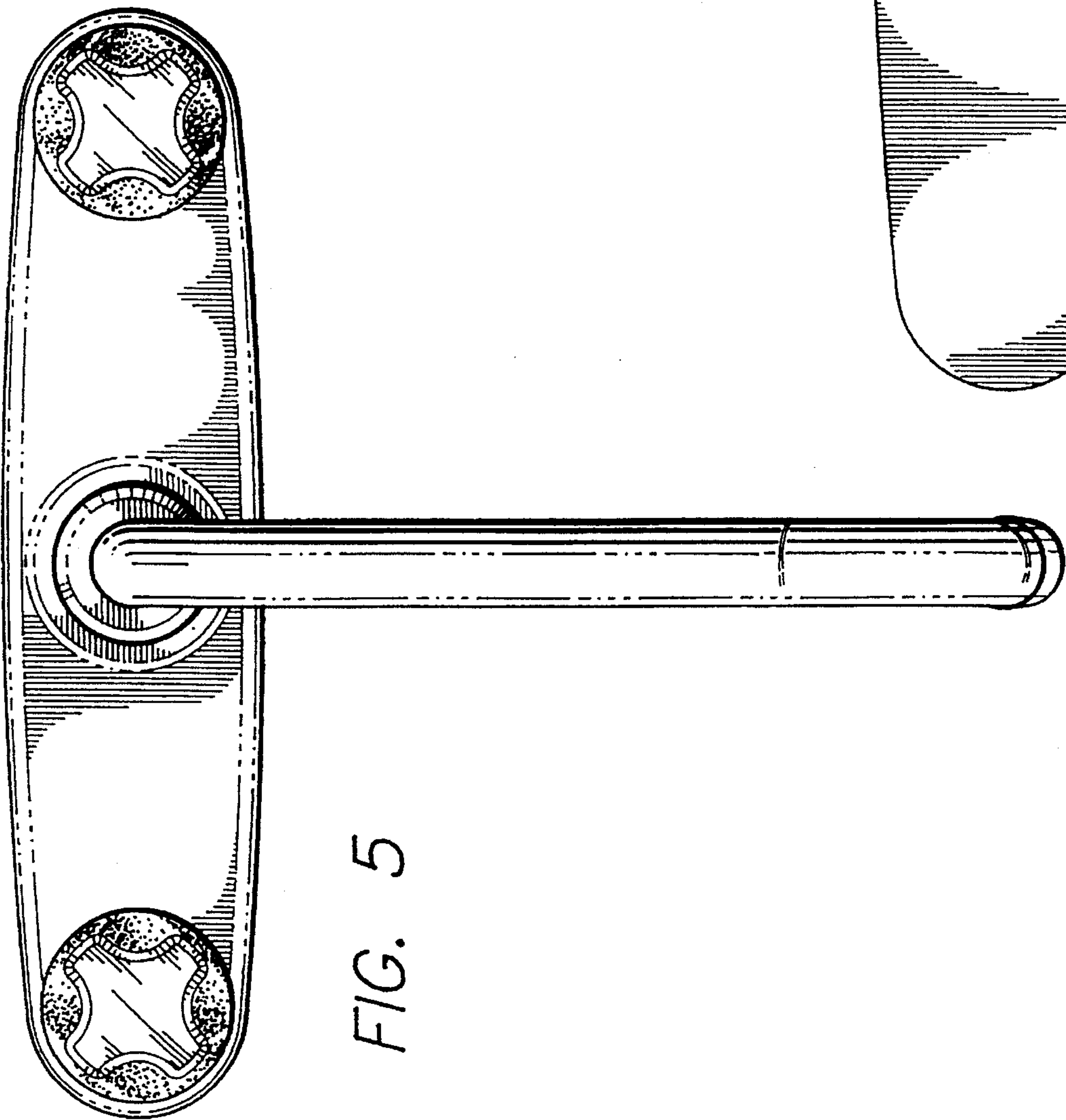


FIG. 5

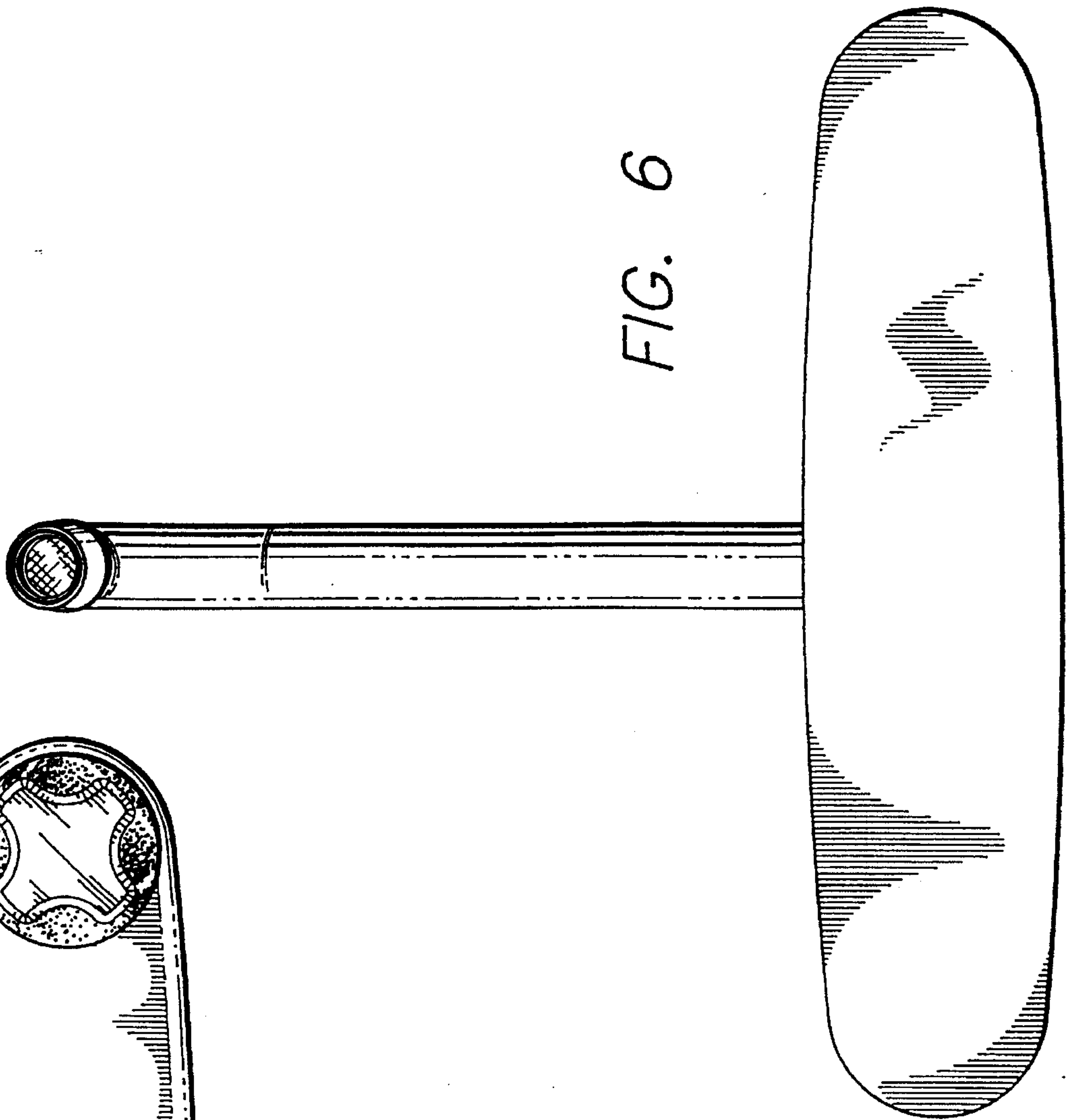


FIG. 6