



US00D374705S

United States Patent [19]

Kaneko et al.

[11] Patent Number: **Des. 374,705**

[45] Date of Patent: ***** Oct. 15, 1996**

[54] **LINE ROLLER FOR A SPINNING FISHING REEL**

[75] Inventors: **Kyoichi Kaneko; Eiji Shinohara**, both of Higashikurume, Japan

[73] Assignee: **Daiwa Seiko, Inc.**, Higashikurume, Japan

[*] Notice: The portion of the term of this patent subsequent to May 7, 2010, has been disclaimed.

[**] Term: **14 Years**

[21] Appl. No.: **29,014**

[22] Filed: **Sep. 27, 1994**

[30] **Foreign Application Priority Data**

Jul. 29, 1994 [JP] Japan 6-22995
Jul. 29, 1994 [JP] Japan 6-22997

[52] U.S. Cl. **D22/141**

[58] Field of Search D22/137, 141, D22/138; 242/230-233, 615.2, 157 R

[56] **References Cited**

U.S. PATENT DOCUMENTS

4,562,976	1/1986	Ban	242/231
4,884,761	12/1989	Kuntze	242/230
4,884,762	12/1989	Tunoda	D22/141 X
4,898,339	2/1990	Takeuchi	242/231
4,969,613	11/1990	Kaneko	242/231
5,149,006	9/1992	Hitomi	242/231
5,261,627	11/1993	Shinohara	242/231

FOREIGN PATENT DOCUMENTS

479103 2/1978 Japan .
693545 8/1986 Japan .

OTHER PUBLICATIONS

Catalog—"Super Metal Age"—issued Mar. 1, 1989 by Daiwa Seiko, Inc. Super BB Line Roller.

Primary Examiner—Doris V. Coles
Attorney, Agent, or Firm—Cushman Darby & Cushman, L.L.P.

[57] **CLAIM**

The ornamental design for a line roller for a spinning fishing reel, as shown and described.

DESCRIPTION

FIG. 1 is a front and right side perspective view of a line roller for a spinning reel, showing our new design; FIG. 2 is a front elevational view, the rear being a mirror image thereof; FIG. 3 is a left side elevational view thereof; FIG. 4 is a right side elevational view thereof; FIG. 5 is a cross sectional view taken along line 5—5 of FIG. 2; FIG. 6 is a front and right side perspective view of a second embodiment; FIG. 7 is a front elevational view, the rear being a mirror image thereof; FIG. 8 is a left side elevational view thereof; FIG. 9 is a right side elevational view thereof; and, FIG. 10 is a cross sectional view at No. 10 of FIG. 7.

1 Claim, 2 Drawing Sheets

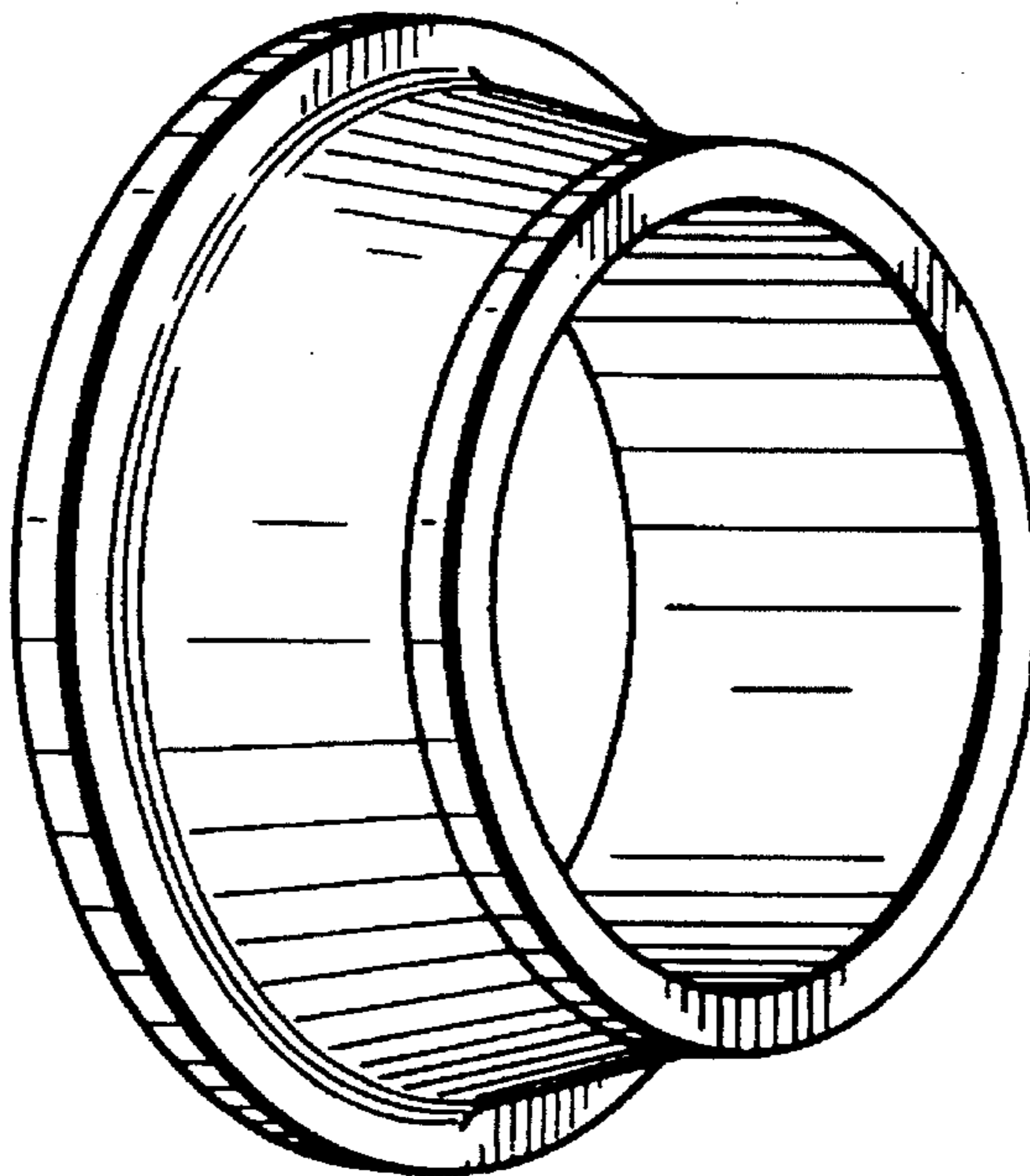


FIG. 1

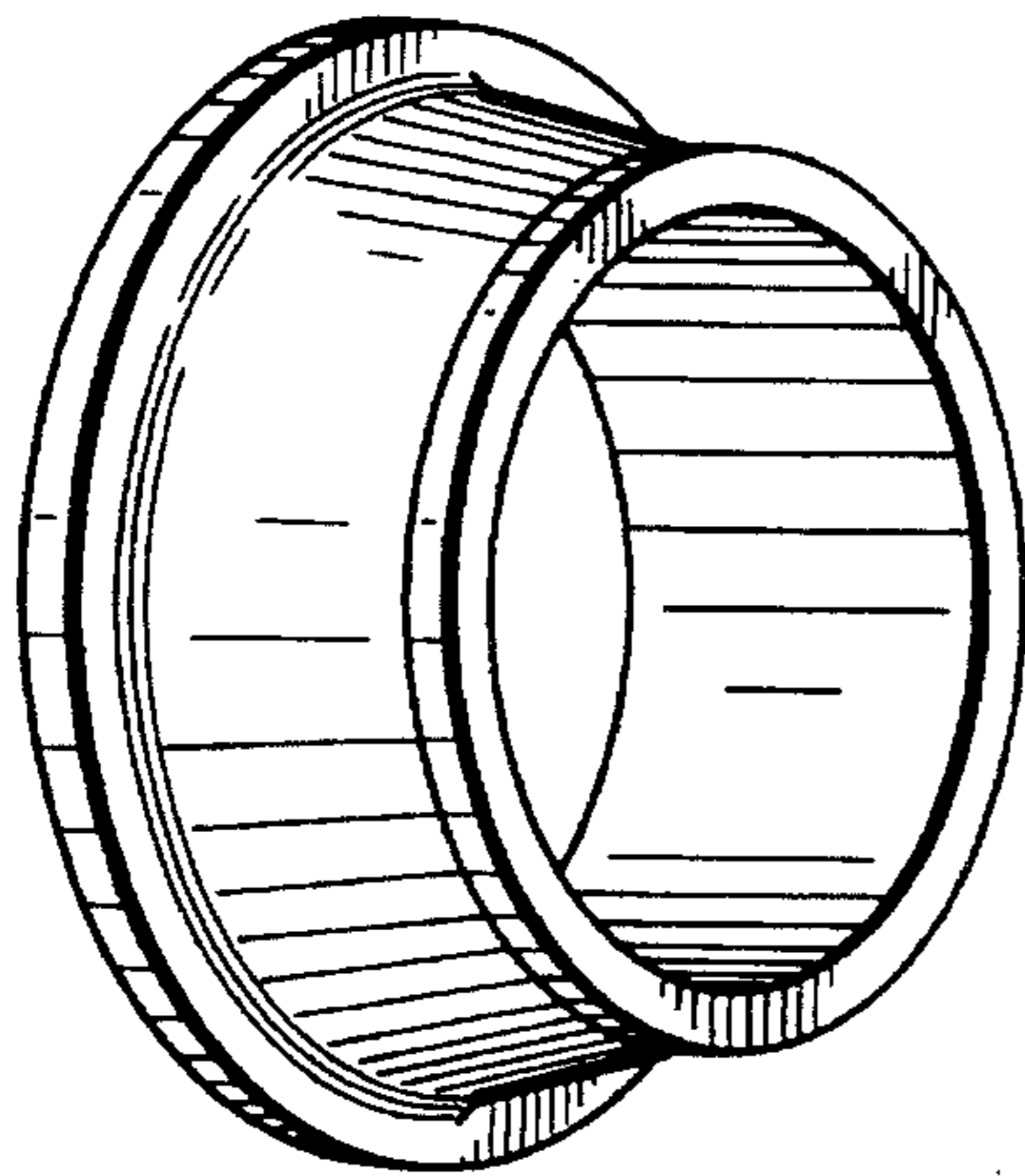


FIG. 2

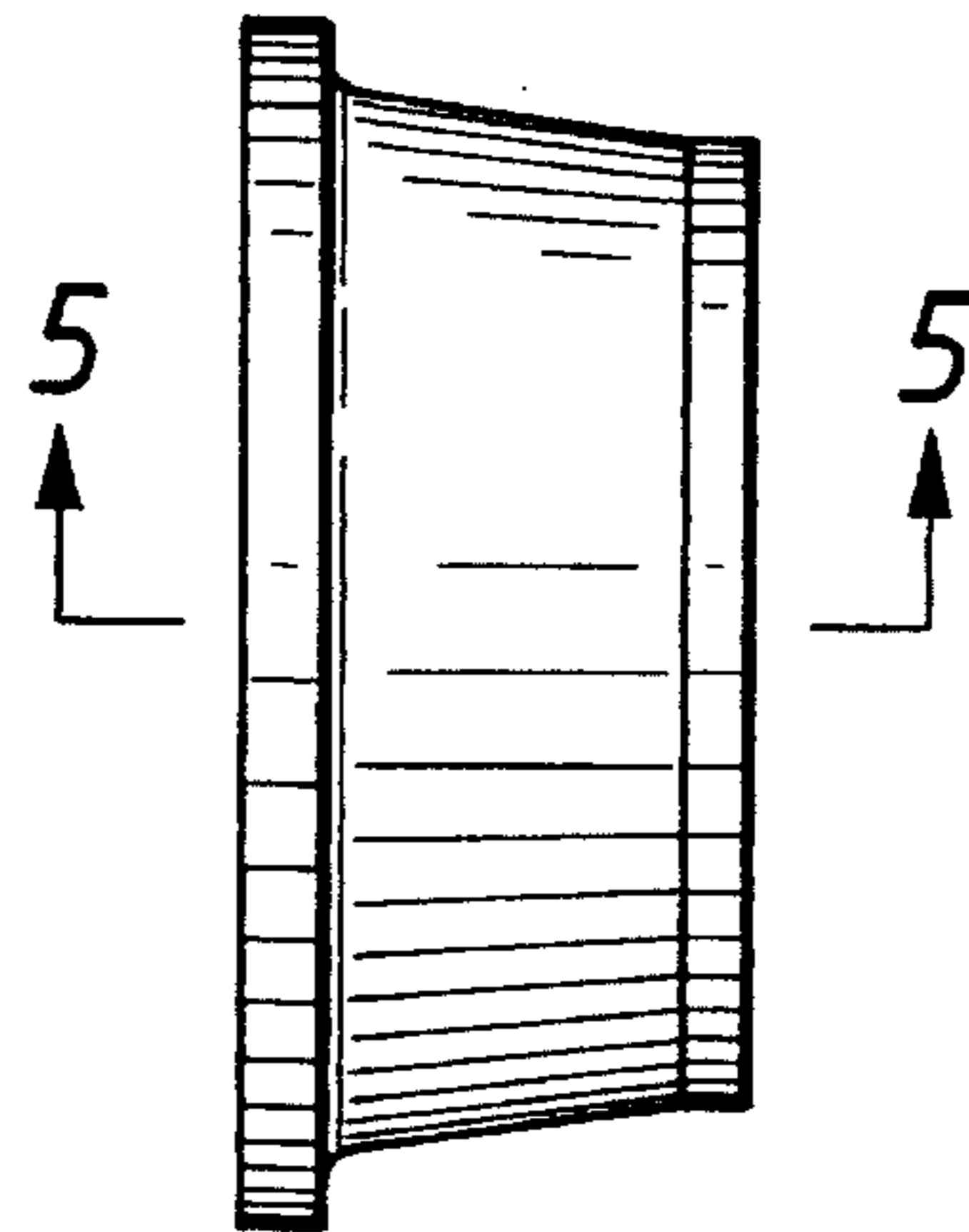


FIG. 3

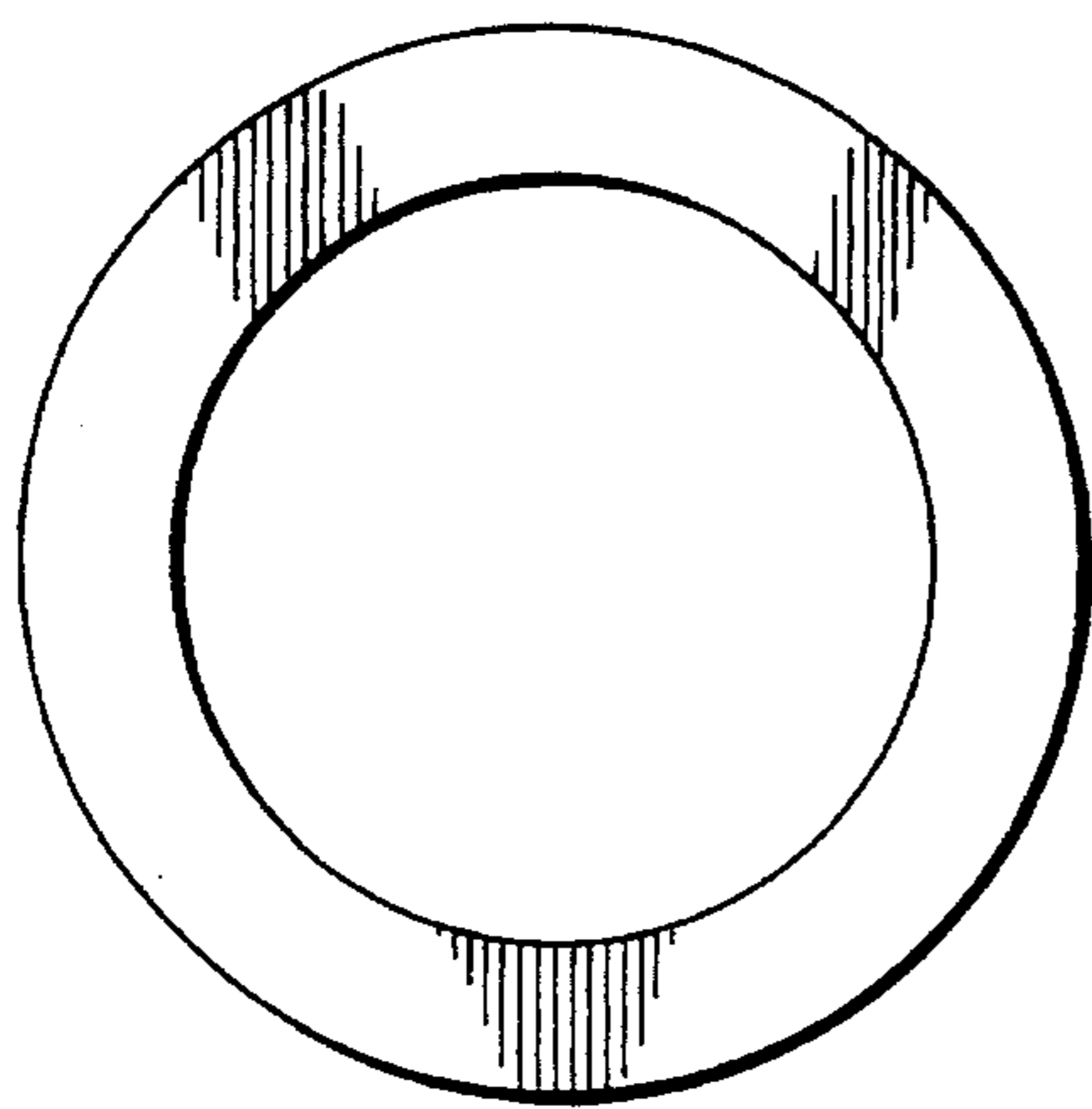


FIG. 4

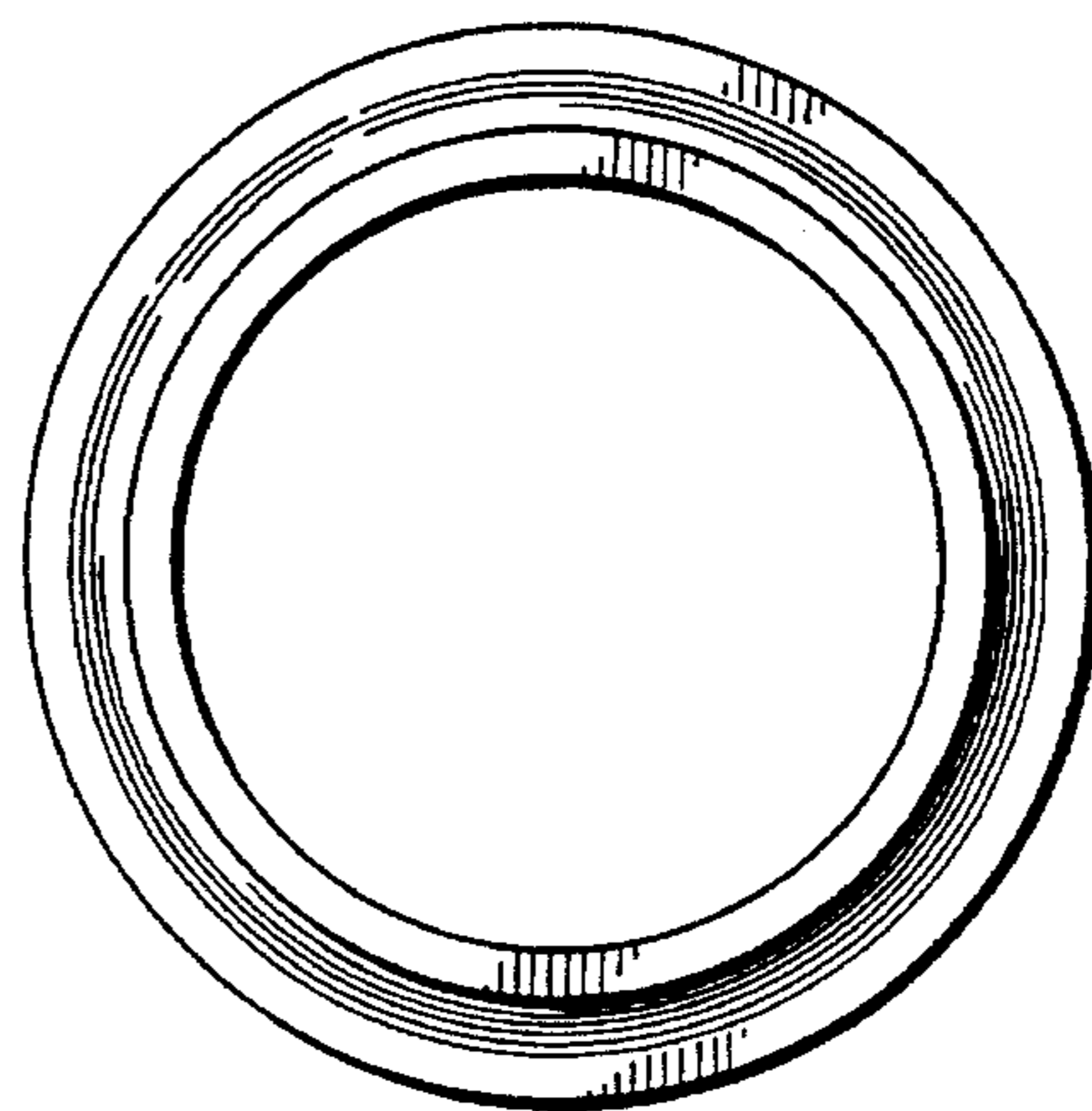


FIG. 5

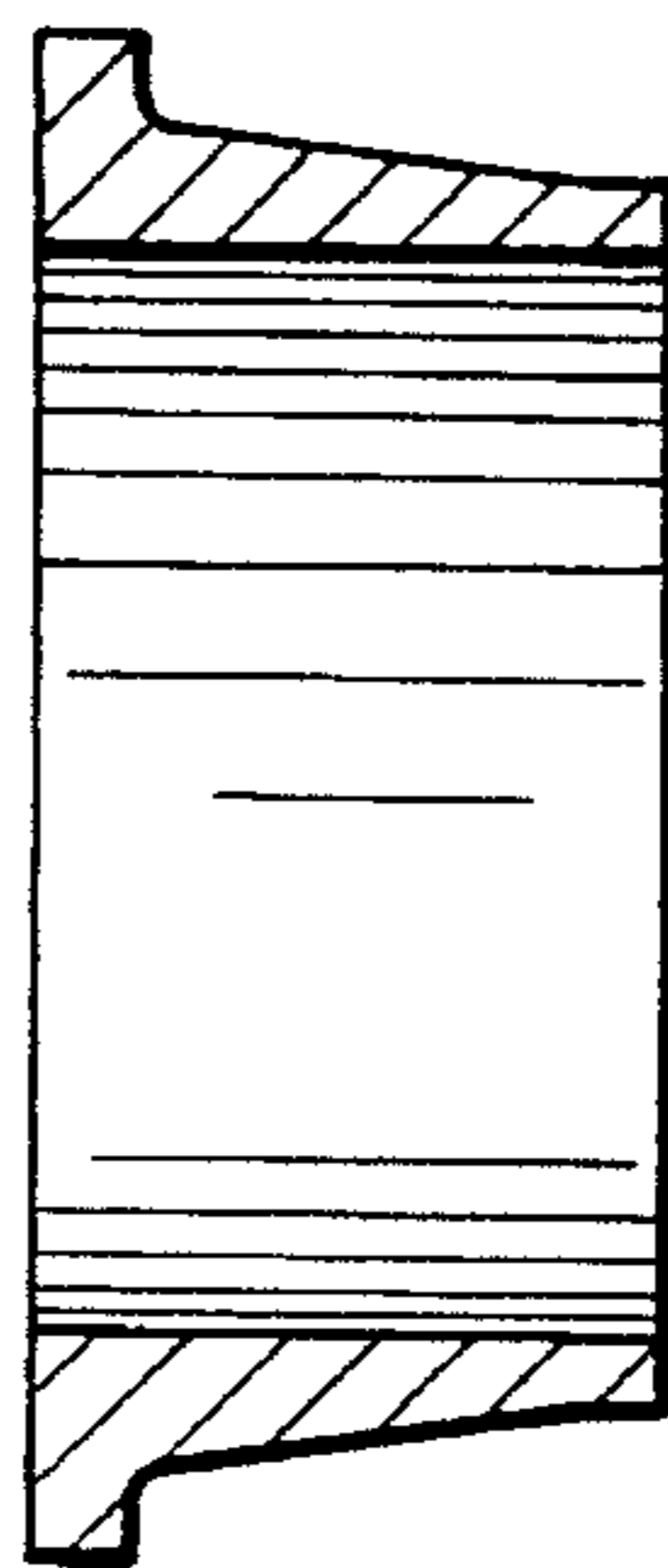


FIG. 6

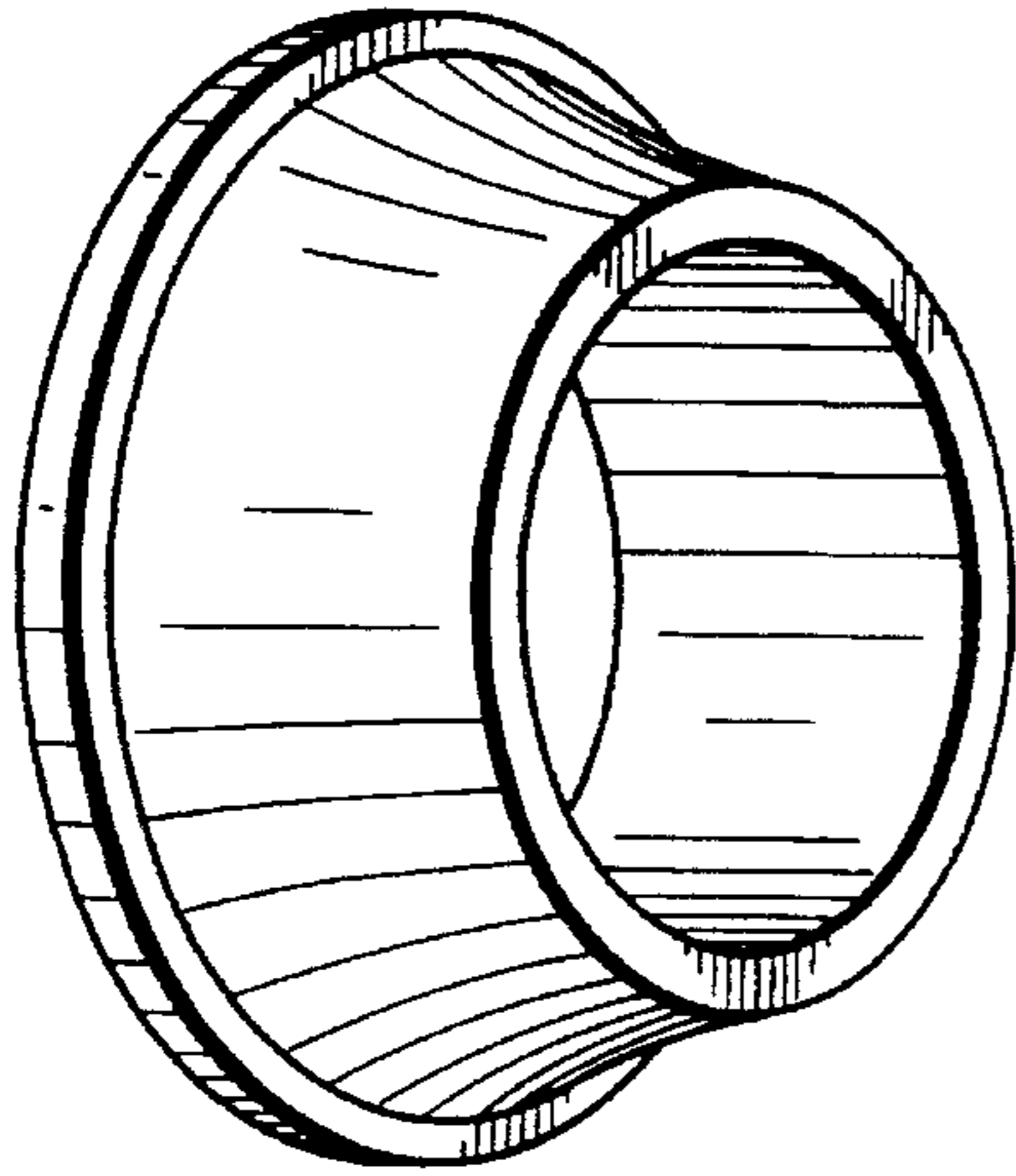


FIG. 7

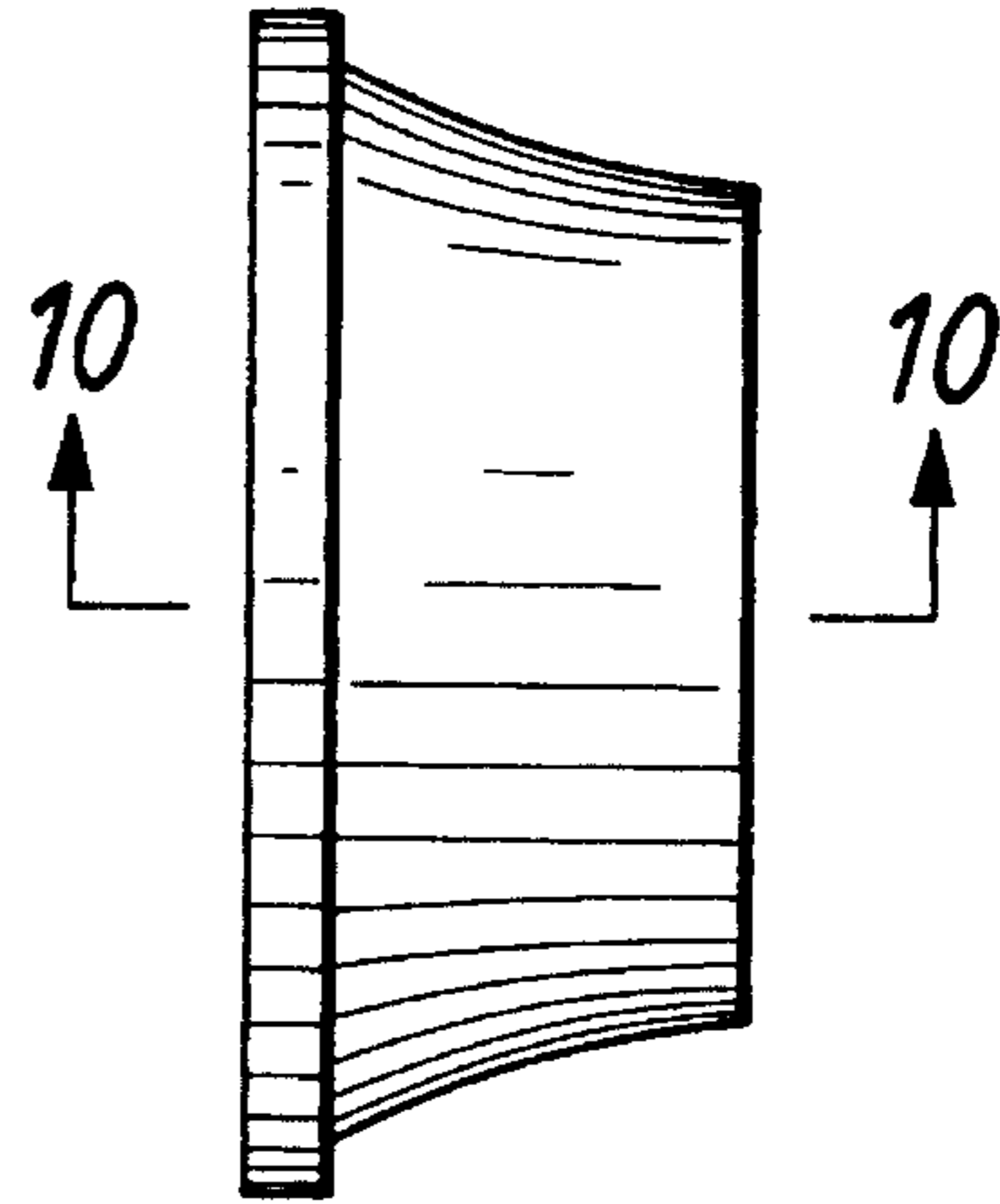


FIG. 8

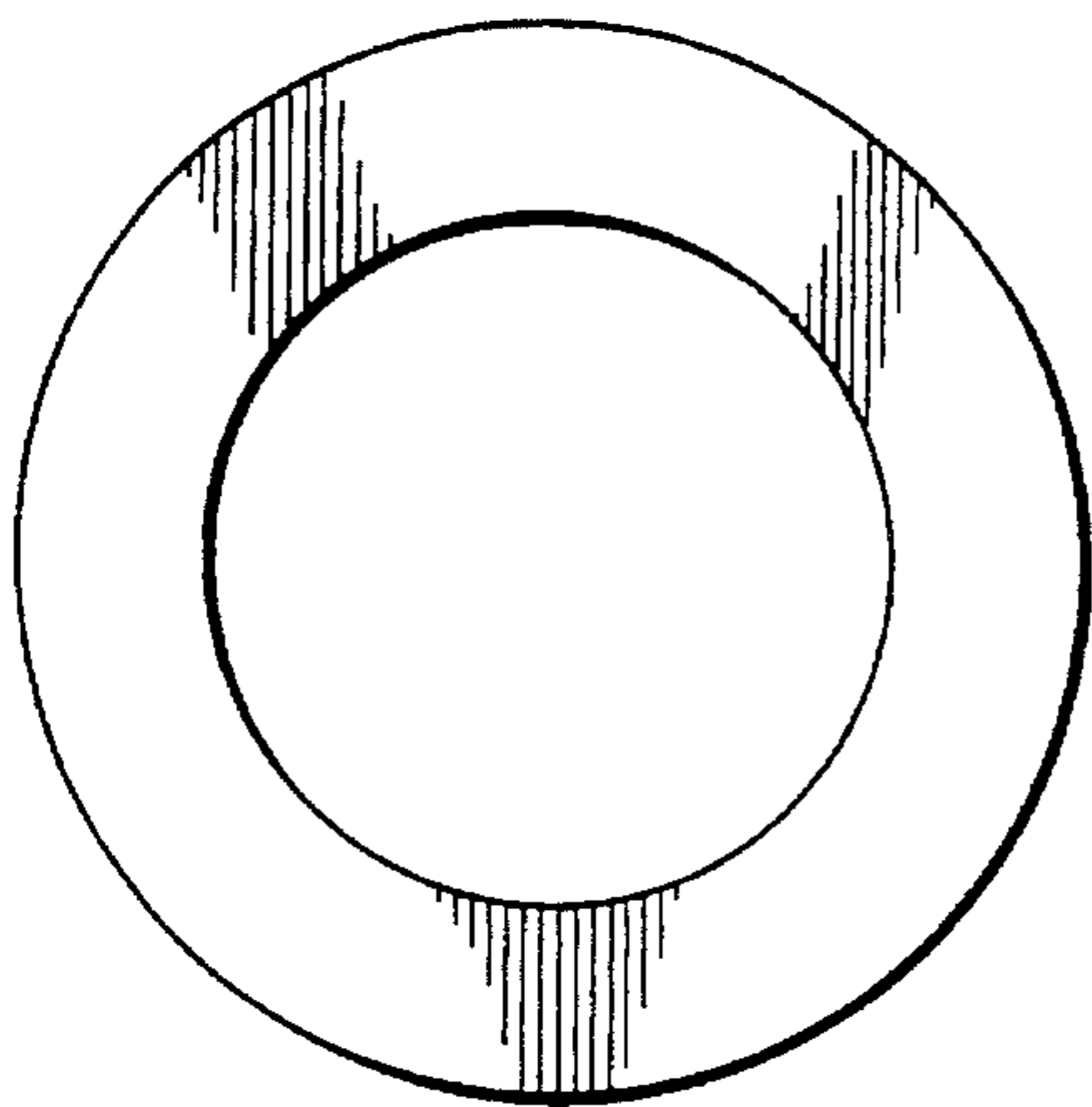


FIG. 9

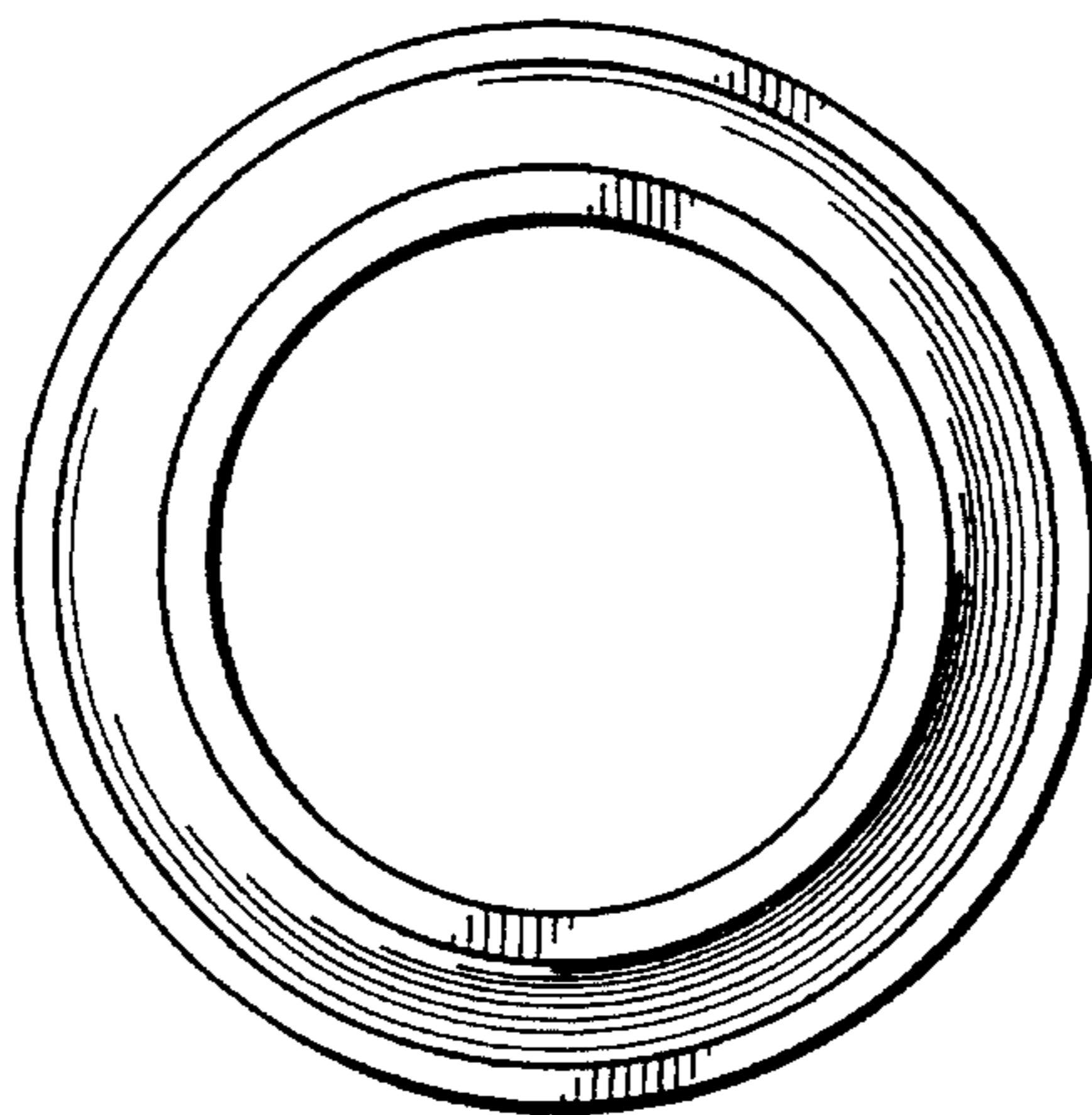


FIG. 10

