



US00D374704S

# United States Patent [19] Rimback

[11] Patent Number: **Des. 374,704**  
[45] Date of Patent: **\*\*Oct. 15, 1996**

[54] **TRAP FOR FLYING INSECTS**  
[75] Inventor: **Peter Rimback**, Oakwood, Ohio  
[73] Assignee: **Hanover Catalog Holdings, Inc.**,  
Weehawken, N.J.  
[\*\*] Term: **14 Years**  
[21] Appl. No.: **40,845**  
[22] Filed: **Jun. 28, 1995**  
[52] U.S. Cl. .... **D22/122**  
[58] Field of Search ..... **D22/119, 122;**  
**43/107, 120, 110, 121, 122, 131, 132.1**

5,175,958 1/1993 Wedemeyer ..... 43/121  
5,398,642 3/1995 Harwich ..... 43/121 X

### OTHER PUBLICATIONS

G. O. Poinar Jr., et al. "Do Some Yellow Jacket Traps Preform Better Than Others?", *Pest Management*, Jul. 1993, p. 21.

*Primary Examiner*—Doris V. Coles  
*Attorney, Agent, or Firm*—Thompson Hine & Flory P.L.L.

### [57] CLAIM

The ornamental design for a trap for flying insects, as shown and described.

### DESCRIPTION

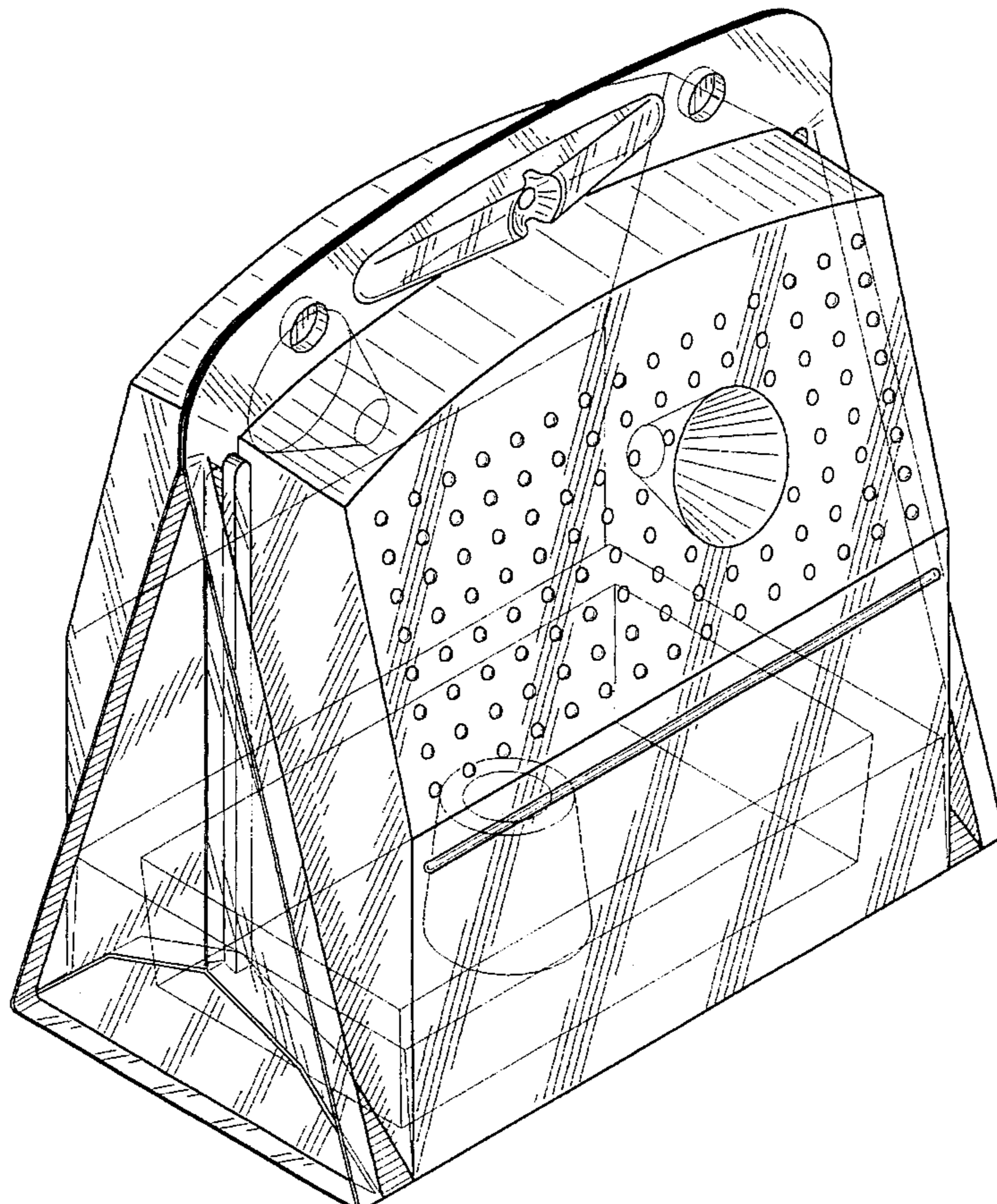
FIG. 1 is a top perspective view of a trap for flying insects, showing my new design;  
FIG. 2 is a front elevational view thereof;  
FIG. 3 is a rear elevational view thereof;  
FIG. 4 is a top plan view thereof;  
FIG. 5 is a bottom plan view thereof;  
FIG. 6 is a left side elevational view, the right side being a mirror image thereof;  
FIG. 7 is a cross-section thereof taken along line 7—7 of FIG. 4; and,  
FIG. 8 is a cross-section thereof taken at line 8—8 of FIG. 2.

### [56] References Cited

#### U.S. PATENT DOCUMENTS

171,673	1/1876	Littlefield	43/122
D. 306,061	2/1990	Cutter	D22/122
D. 308,564	6/1990	Wefler	D22/122
420,490	2/1890	Barnard	43/122
818,836	4/1906	Rouilliard	43/122
970,944	9/1910	Odatey	43/122
1,364,949	1/1921	Niewinski	43/122
2,046,430	7/1936	Rutherford	43/107
2,478,104	8/1949	Johnson	43/122
3,997,999	12/1976	Evans	43/107
4,360,987	11/1982	Lowder	43/122
4,541,198	9/1985	Sherman	43/131
4,794,724	1/1989	Peters	43/122
4,858,374	8/1989	Clemons	43/122

1 Claim, 6 Drawing Sheets



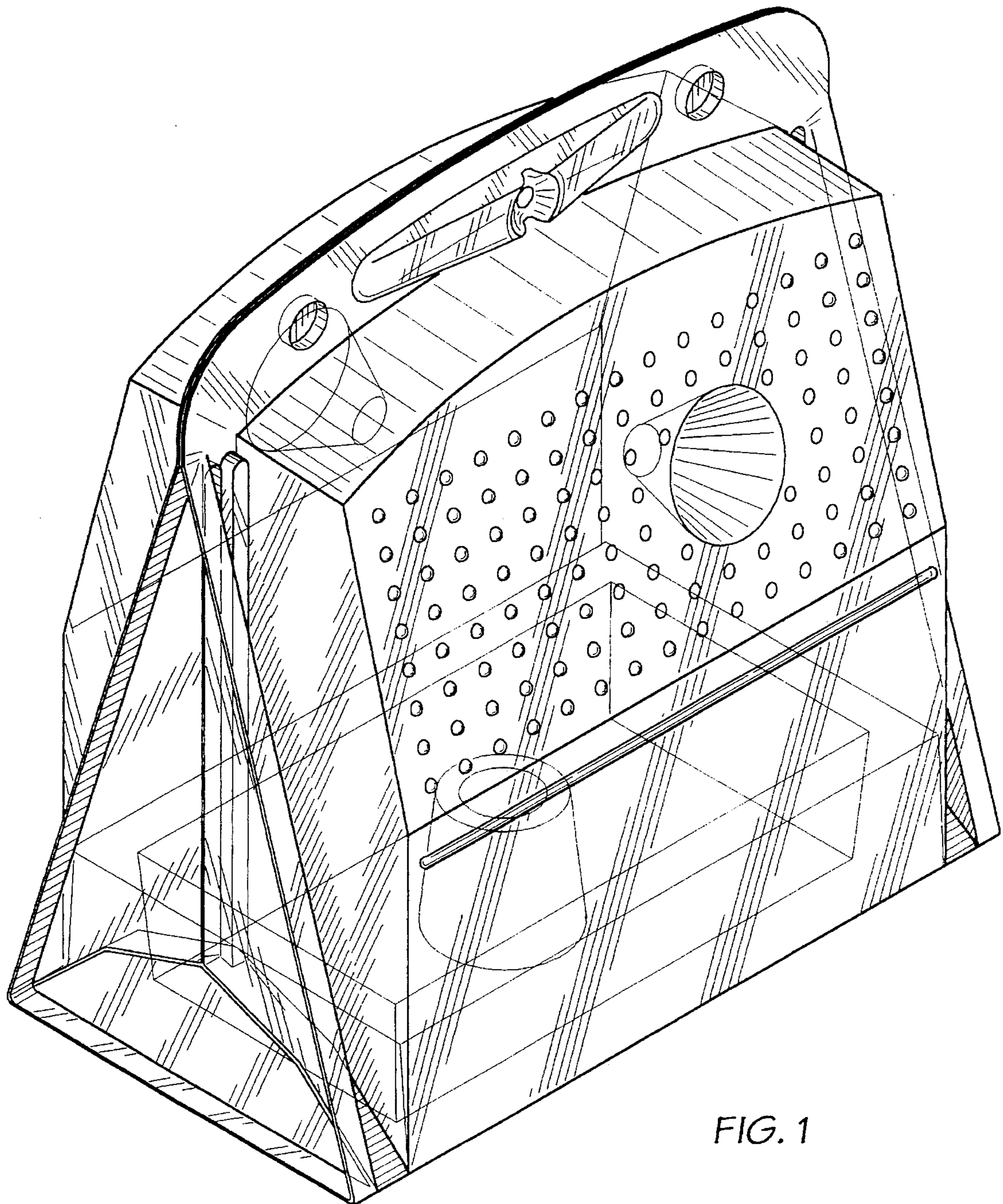


FIG. 1

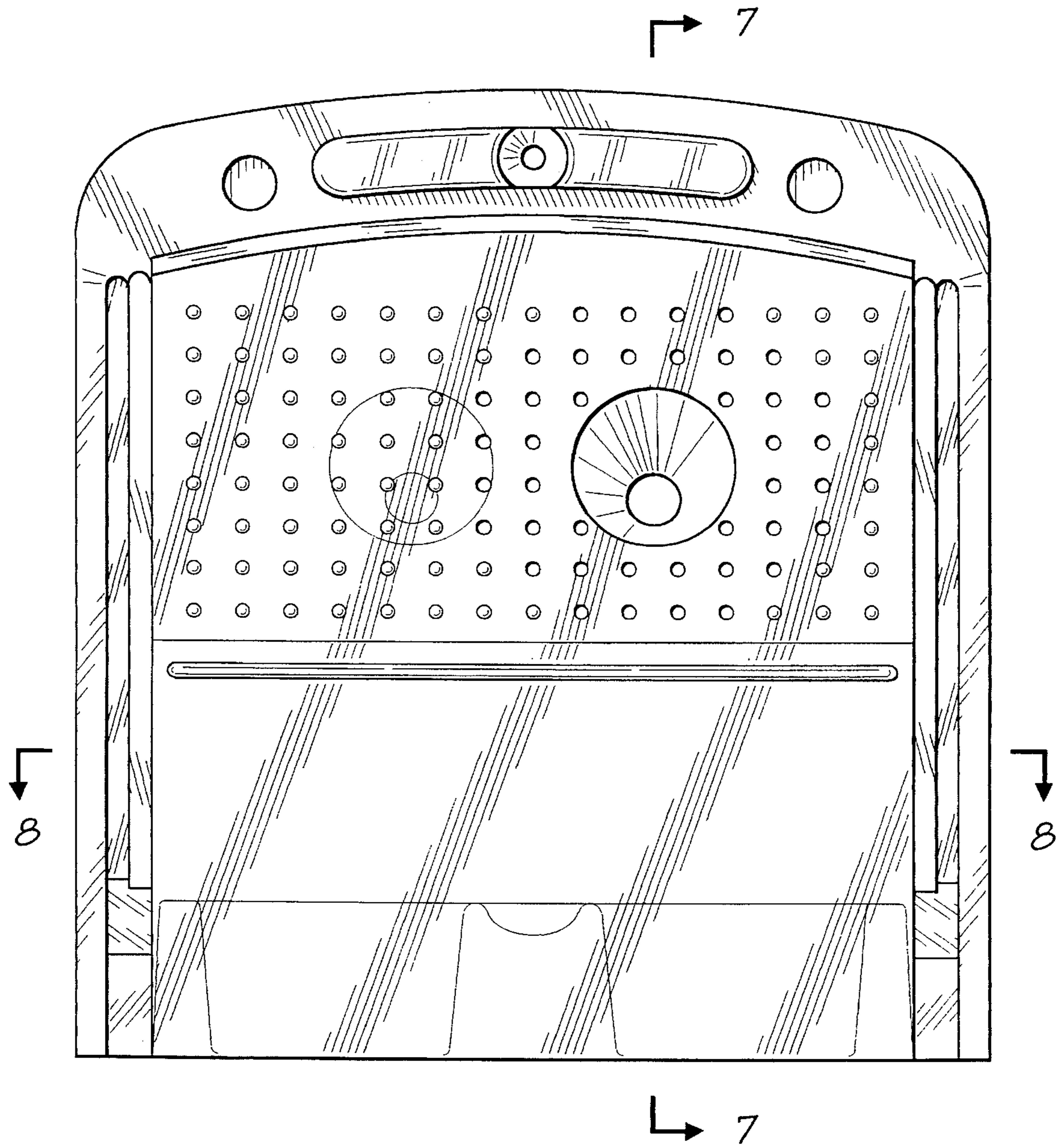


FIG. 2

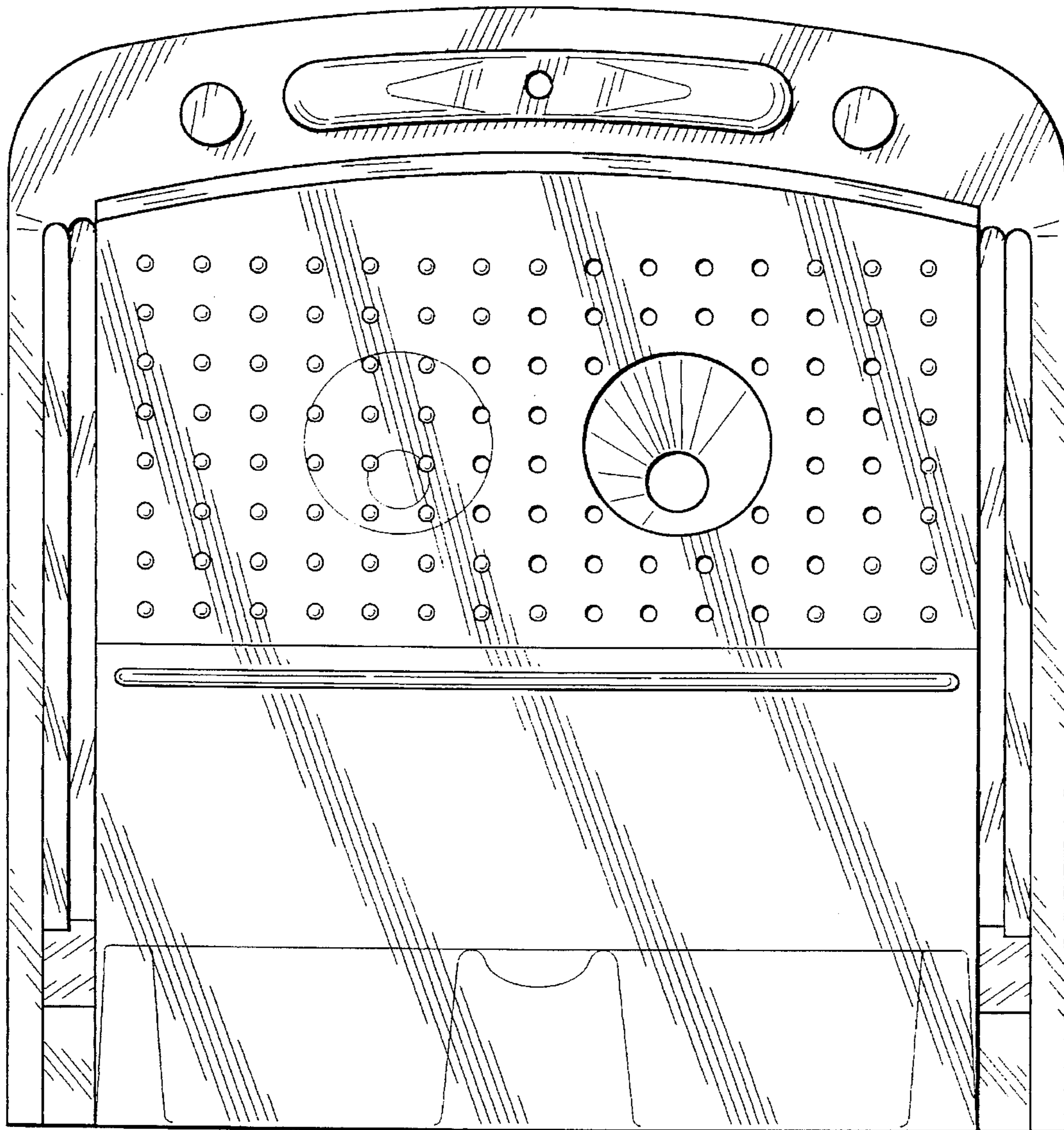


FIG. 3

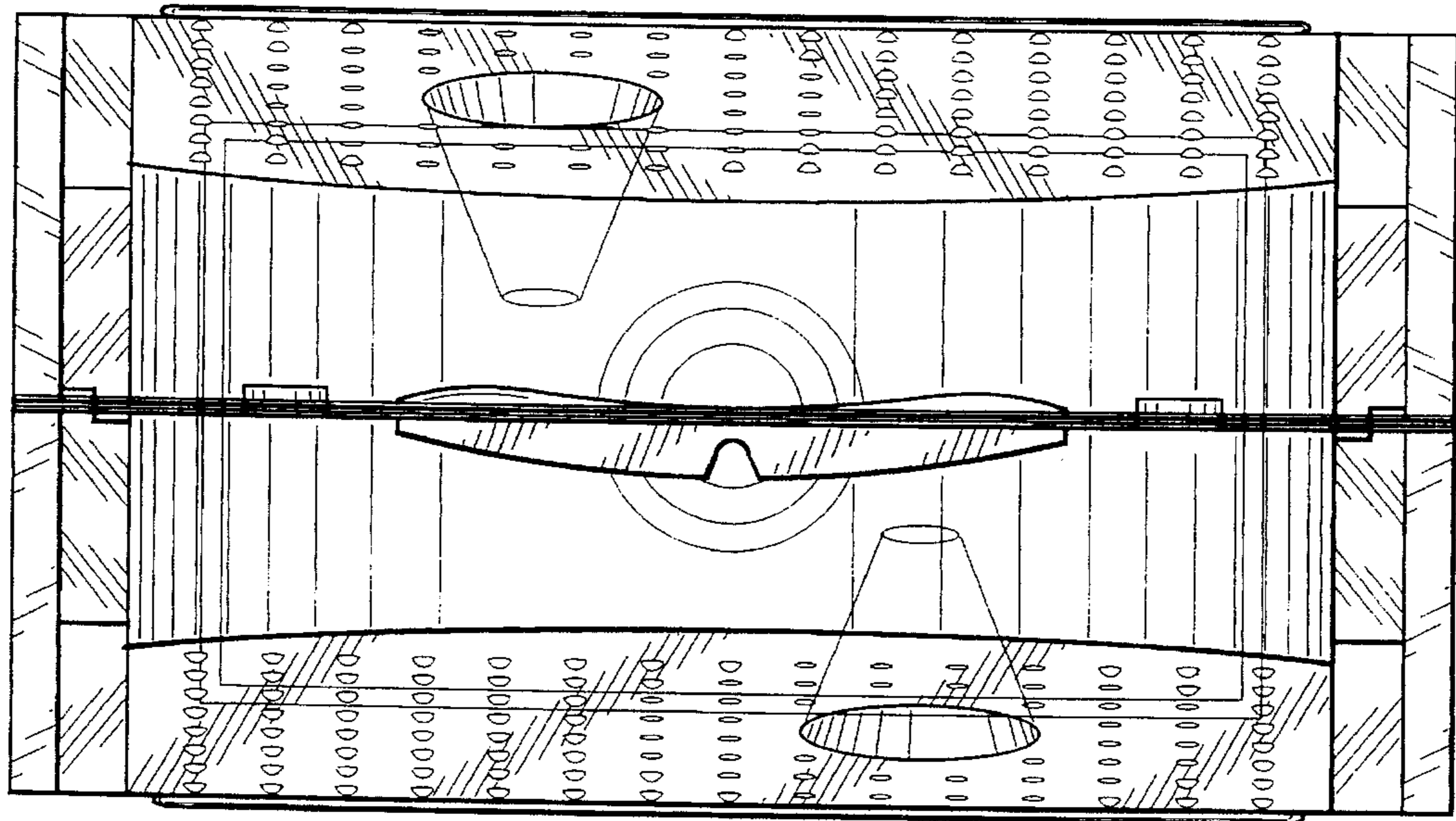


FIG. 4

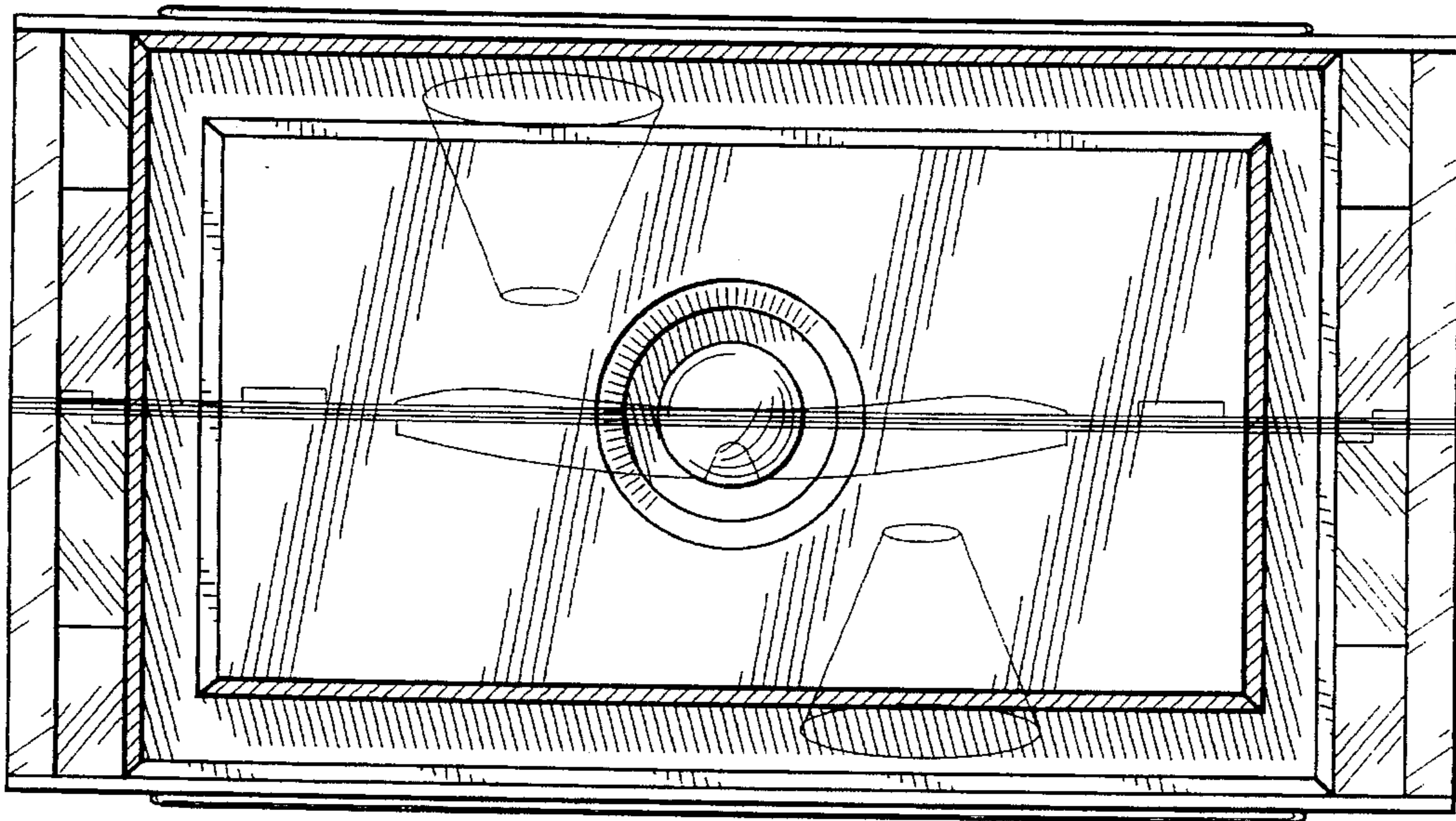


FIG. 5

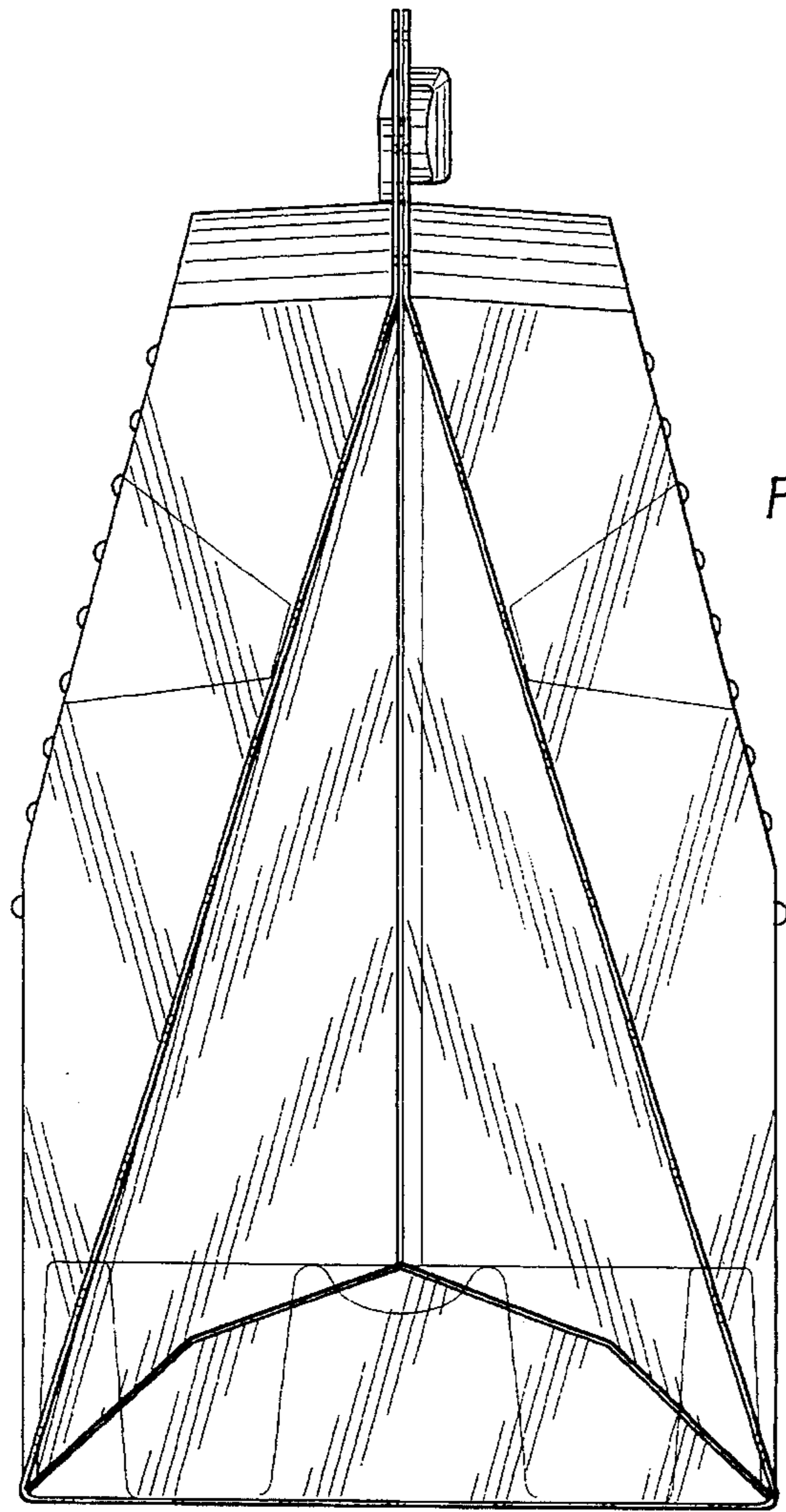


FIG. 6

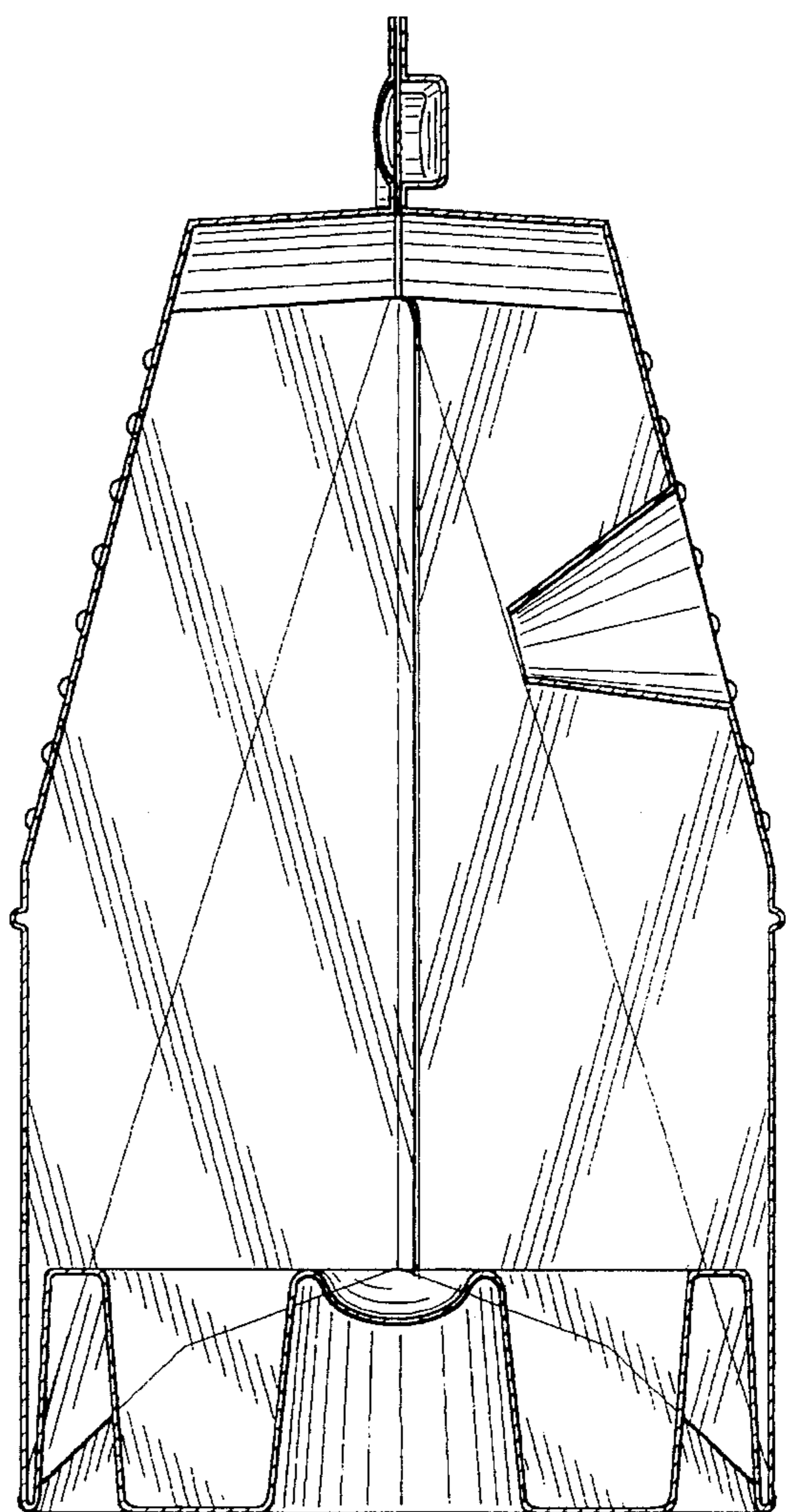


FIG. 7

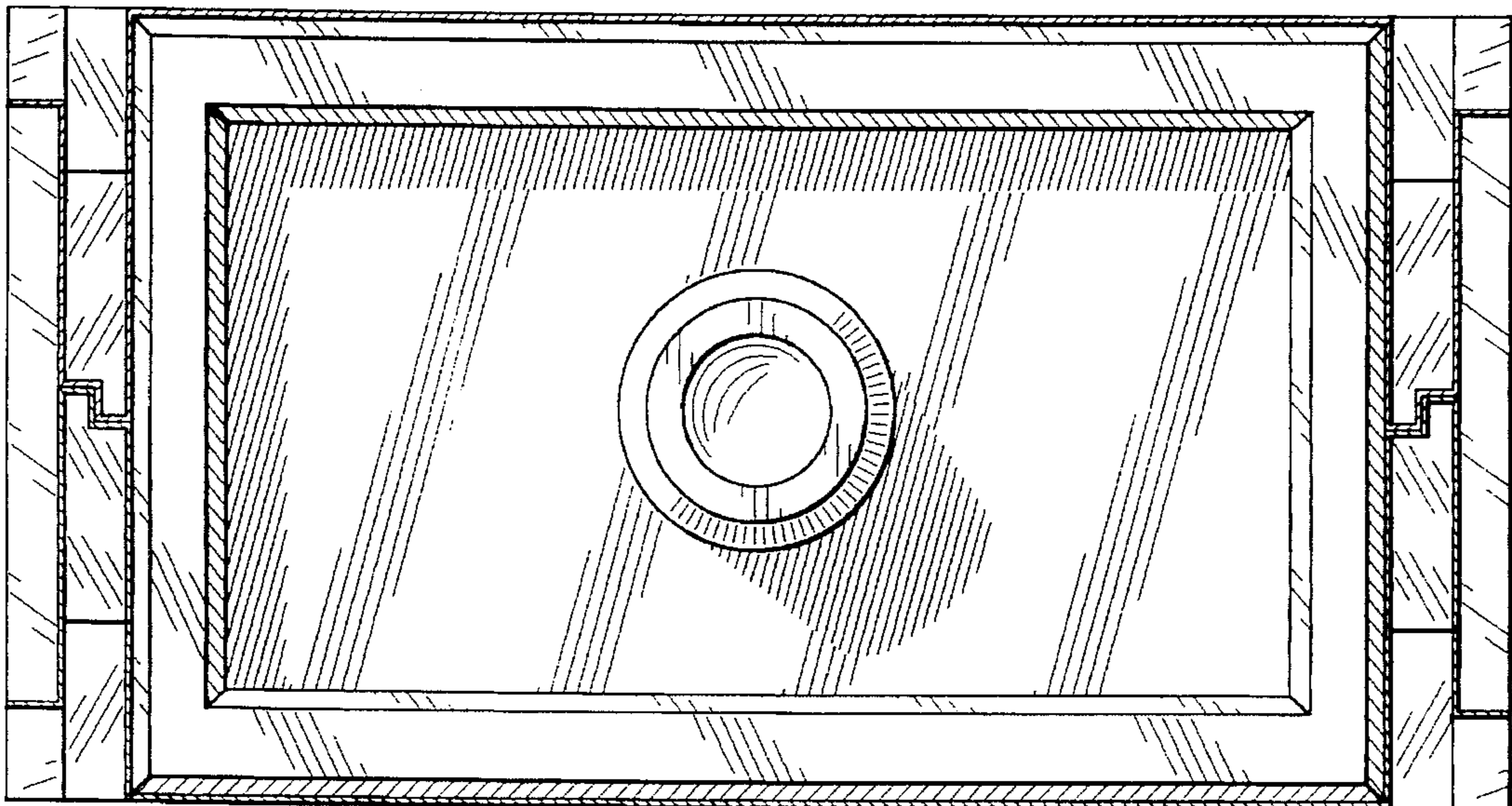


FIG. 8