



US00D374703S

# United States Patent [19]

[11] Patent Number: **Des. 374,703**

Dickson et al.

[45] Date of Patent: **\*\*Oct. 15, 1996**

[54] **INSECT BAIT STATION**

[75] Inventors: **Dane Dickson**, Pleasanton; **Frank Knafelc**, Lafayette; **Ronald E. Heiskell**, Trac; **Ezra A. Theys**, San Mateo; **David E. Kolarich**, Walnut Creek, all of Calif.

[73] Assignee: **The Clorox Company**, Del.

[\*\*] Term: **14 Years**

[21] Appl. No.: **38,345**

[22] Filed: **May 4, 1995**

[52] U.S. Cl. .... **D22/122**

[58] Field of Search ..... D22/119, 122, D22/123; 43/107, 111, 114, 115, 116, 121, 122, 131, 132.1

4,698,934	10/1987	Gonzales et al. ....	43/121
4,761,912	8/1988	Dyer et al. ....	43/121
4,793,093	12/1988	Gentile ....	43/131
4,823,506	4/1989	Demarest ....	43/131
4,837,969	6/1989	Demarest ....	43/131
4,894,947	1/1990	Brandlli ....	43/131
5,033,229	7/1991	Demarest et al. ....	43/131
5,040,327	8/1991	Stack et al. ....	43/131
5,048,225	9/1991	Brandlli ....	43/131
5,090,153	2/1992	Mullen et al. ....	43/114
5,357,709	10/1994	Lin ....	43/131

Primary Examiner—Doris V. Coles

Attorney, Agent, or Firm—Harry A. Pacini; Stephen M. Westbrook

## [57] CLAIM

The ornamental design for an insect bait station, as described and shown.

## DESCRIPTION

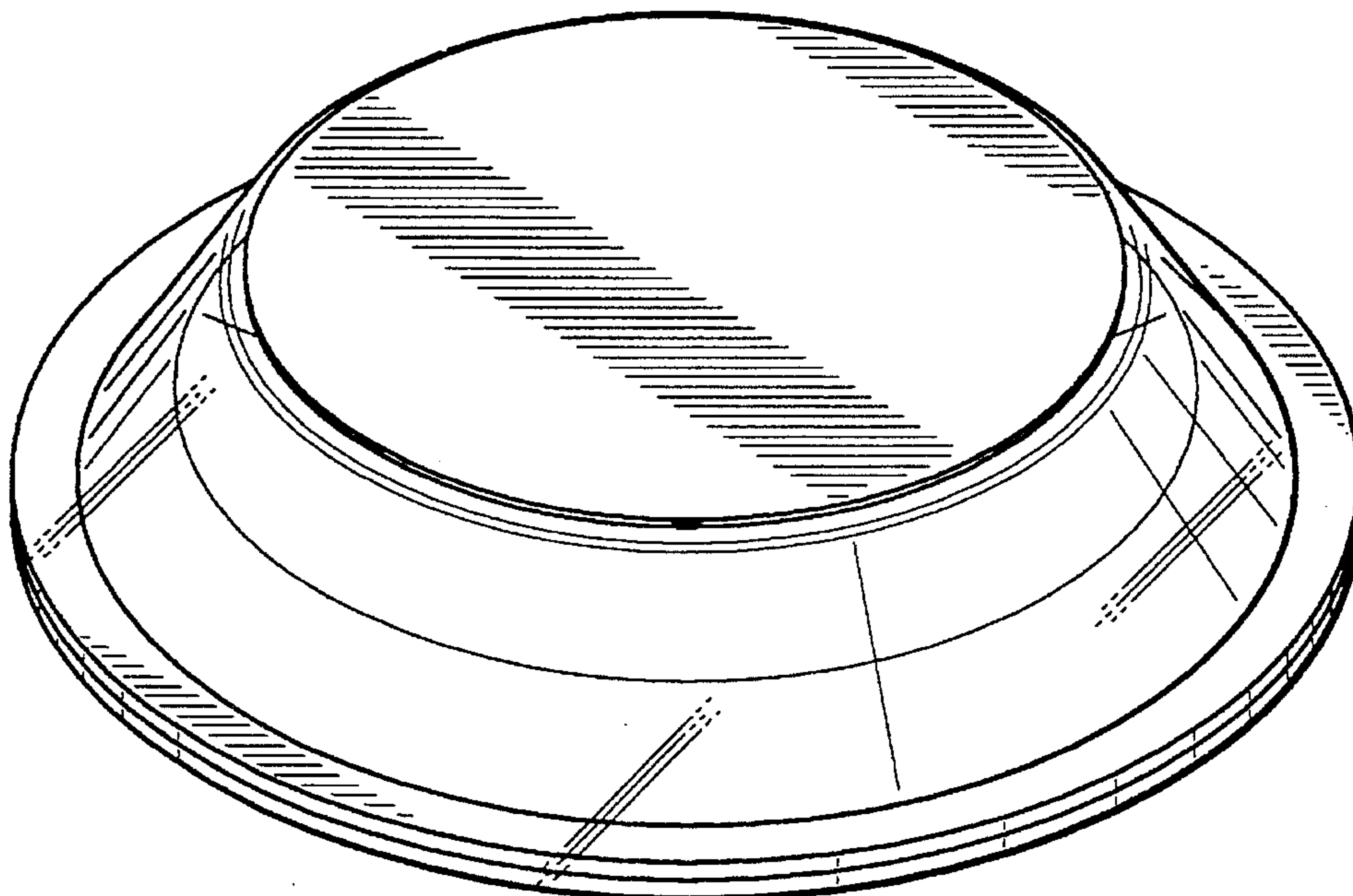
FIG. 1 is a perspective view of an insect bait station showing our new design with a cover in place;  
 FIG. 2 is a perspective view of an insect bait station of FIG. 1 showing our new design with the cover removed;  
 FIG. 3 is a front elevational view, the sides and the back side being mirror images thereof;  
 FIG. 4 is a top plan view of the bait station of FIG. 2;  
 FIG. 5 is a bottom plan view of the bait station of FIG. 2;  
 FIG. 6 is a perspective view of an alternative embodiment of our new design with a cover in place;  
 FIG. 7 is a perspective view of an alternative embodiment of our new design of FIG. 6 with the cover removed;  
 FIG. 8 is a side elevational view of an alternative embodiment thereof;  
 FIG. 9 is a top plan view of an alternative embodiment of the bait station of FIG. 7; and,  
 FIG. 10 is a bottom plan view of an alternative embodiment of the bait station of FIG. 7.

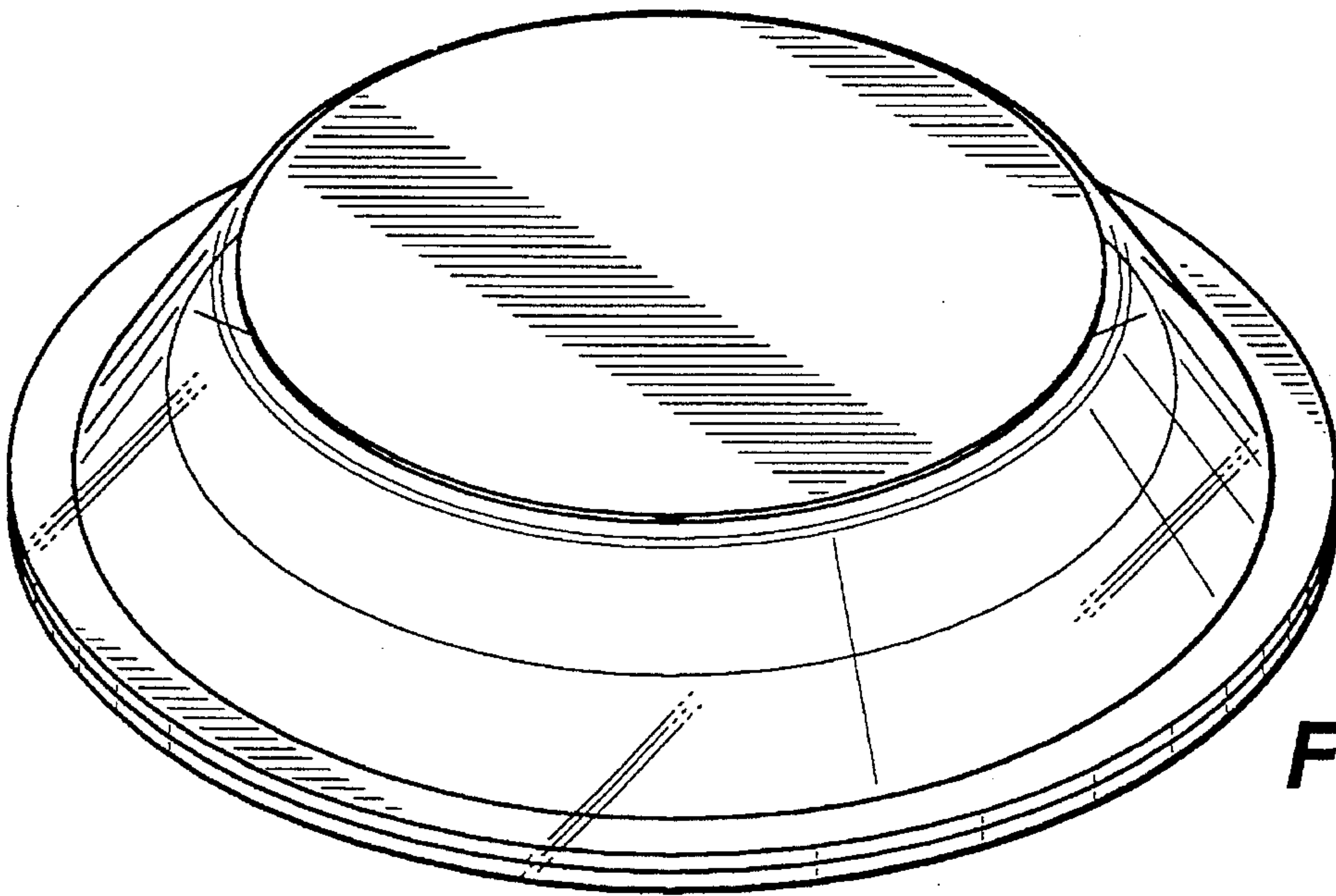
1 Claim, 4 Drawing Sheets

## [56] References Cited

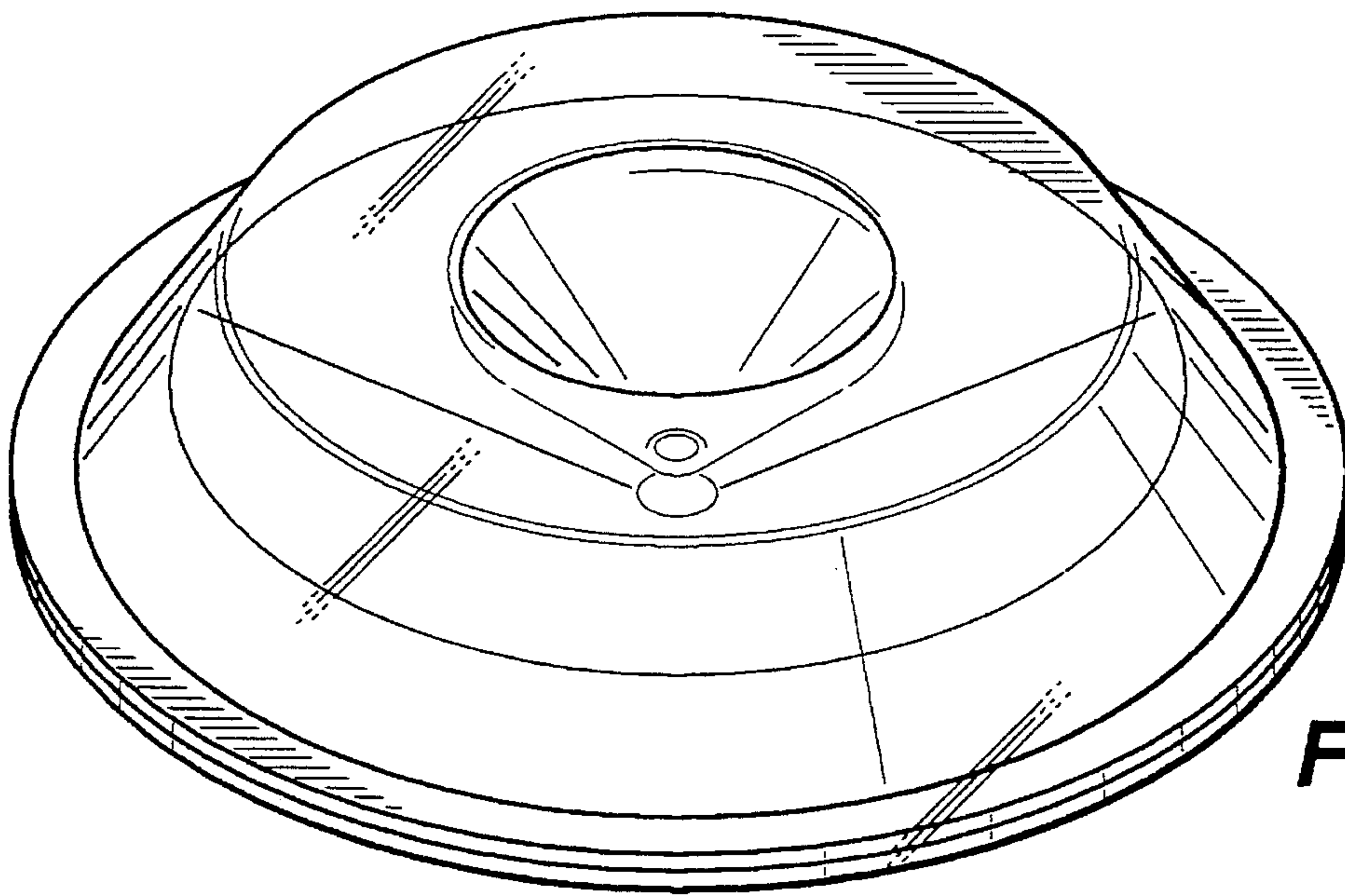
### U.S. PATENT DOCUMENTS

D. 273,032	3/1994	Woodruff .	
D. 275,875	10/1984	Woodruff .	
D. 278,842	5/1985	Woodruff .	
D. 298,160	10/1988	Gatarz .....	D22/122
D. 306,197	2/1990	Demarest et al. ....	D22/122
D. 323,871	2/1992	Nitta .	
D. 326,702	6/1992	Demarest .....	D22/119
D. 326,890	6/1992	Mares .....	D22/119
D. 329,681	9/1992	Demarest et al. ....	D22/122
D. 342,352	12/1993	Embrey .....	D22/122 X
1,540,621	6/1925	Hanson et al. ....	D22/122 X
1,797,743	3/1931	Wesson .	
1,856,200	5/1932	Tippey .....	43/131
1,887,771	11/1932	Marsh .....	43/131
2,710,485	6/1955	Starr .....	43/131
4,173,093	11/1979	Nakai .....	43/121
4,263,740	4/1981	Hemstarth .....	43/114
4,423,564	1/1984	Davies et al. ....	43/121
4,563,836	1/1986	Woodruff et al. ....	43/131

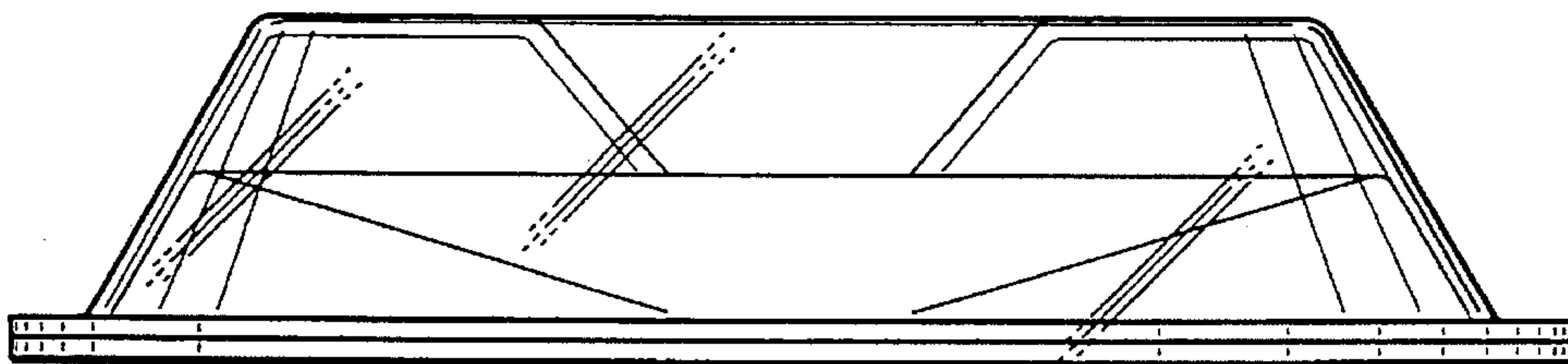




**FIG.\_1**

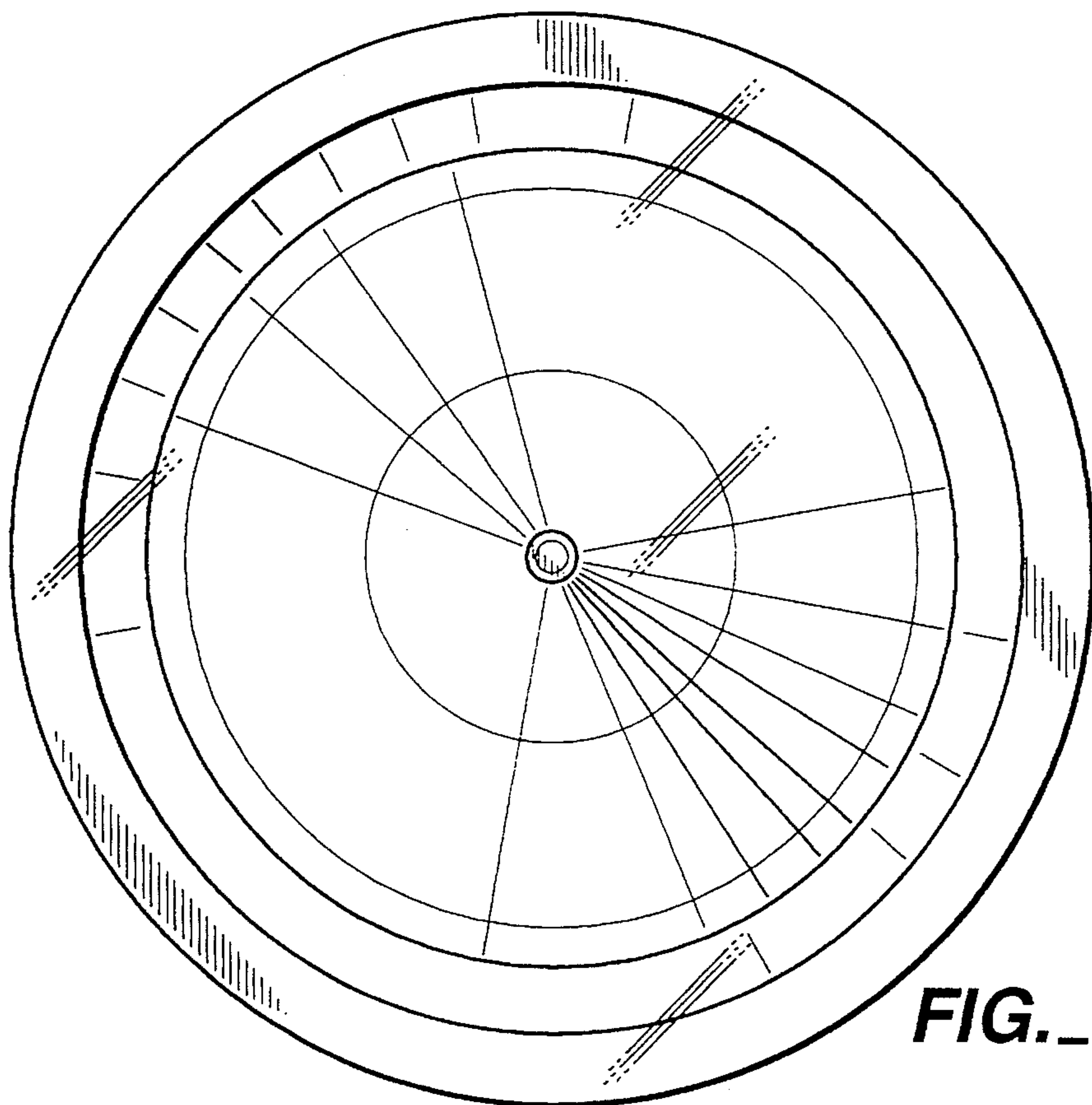
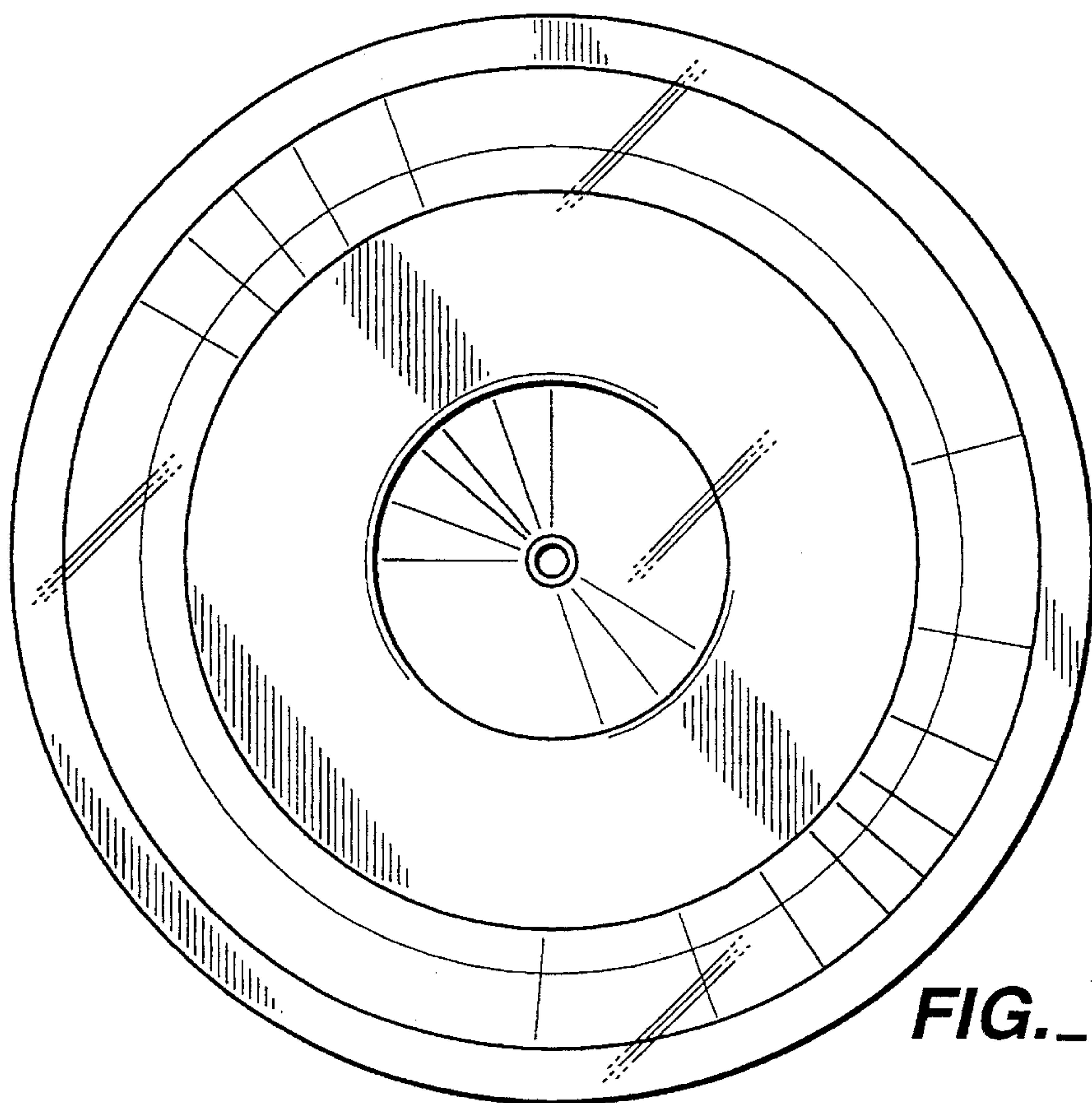


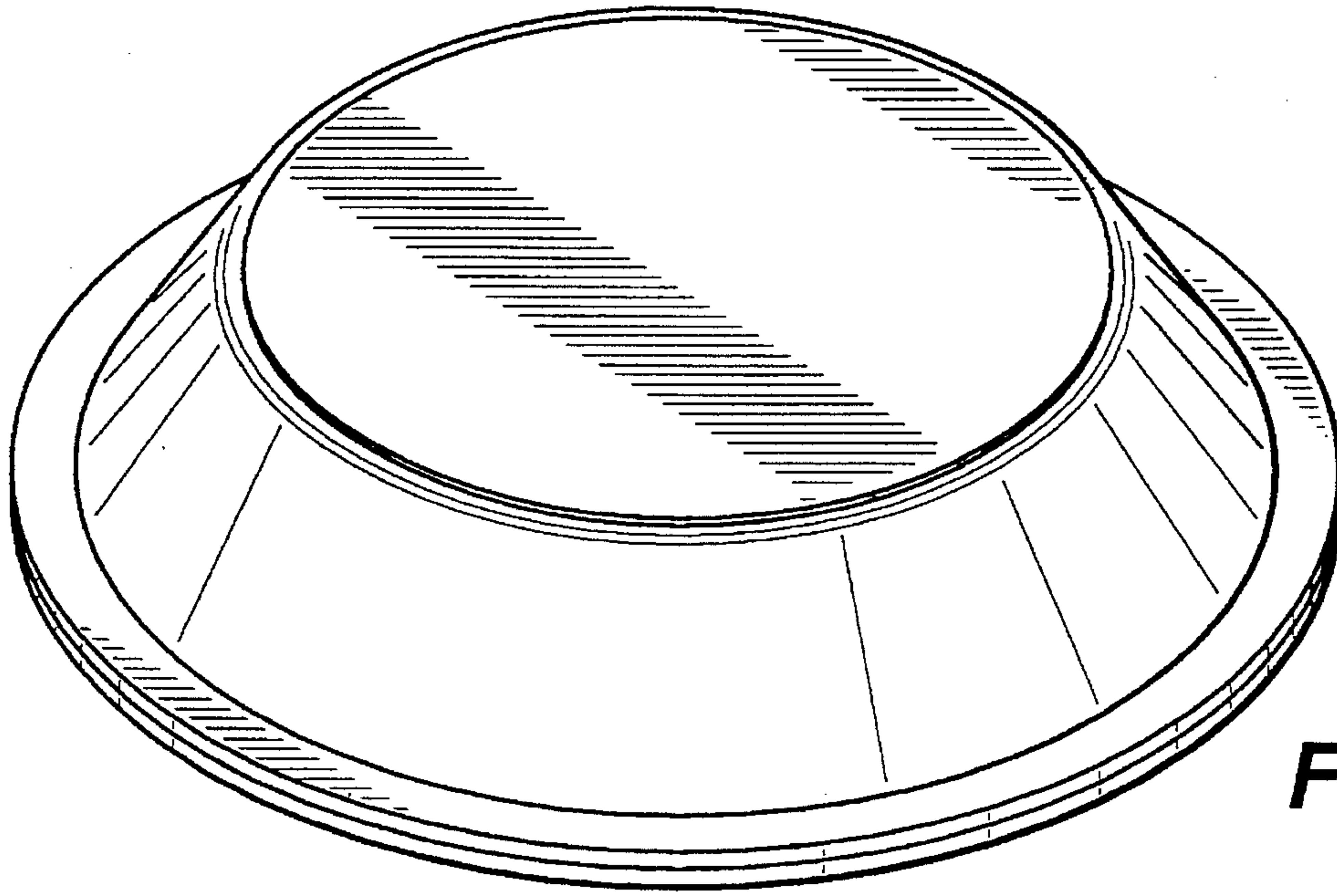
**FIG.\_2**



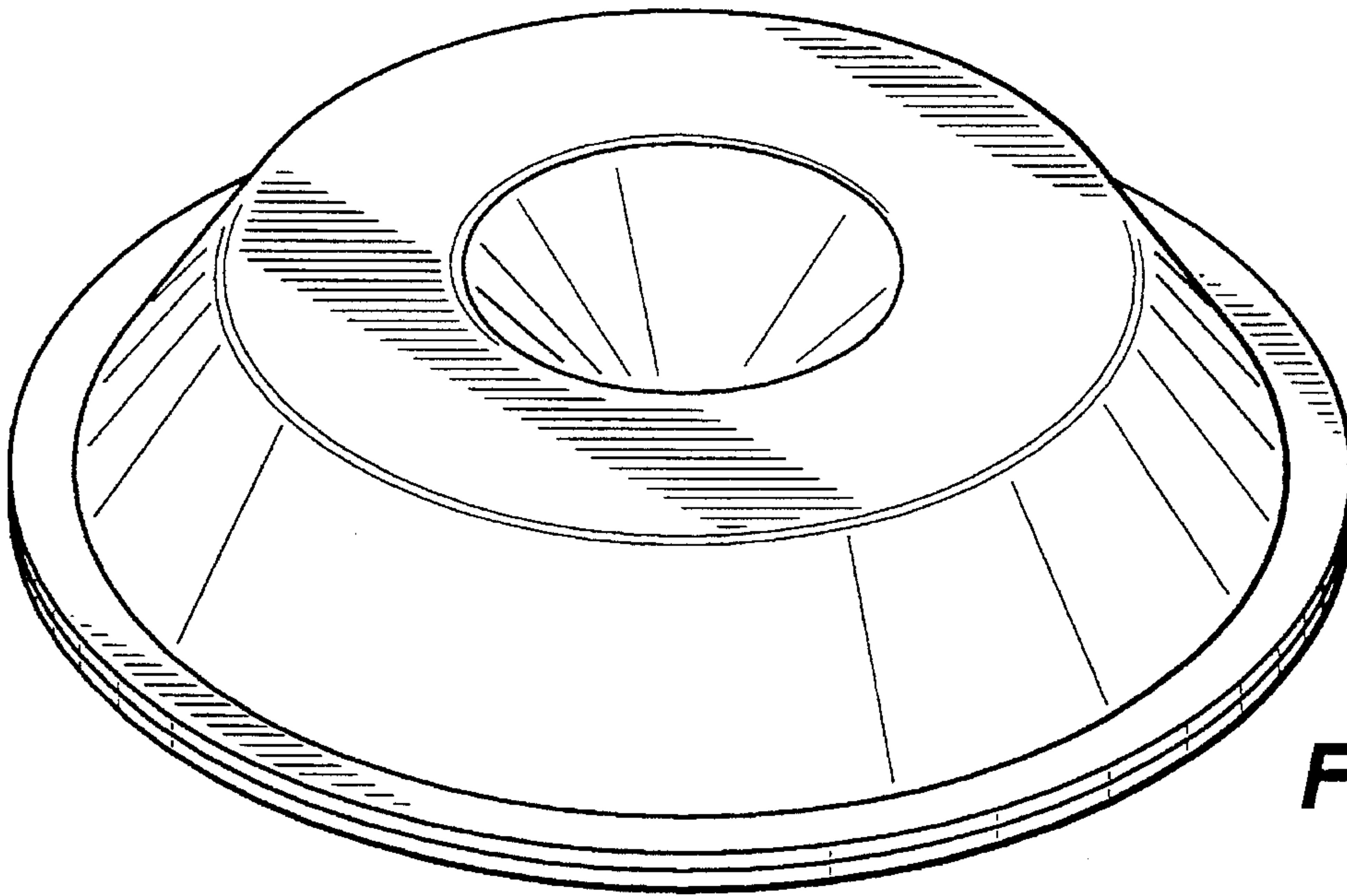
**FIG.\_3**



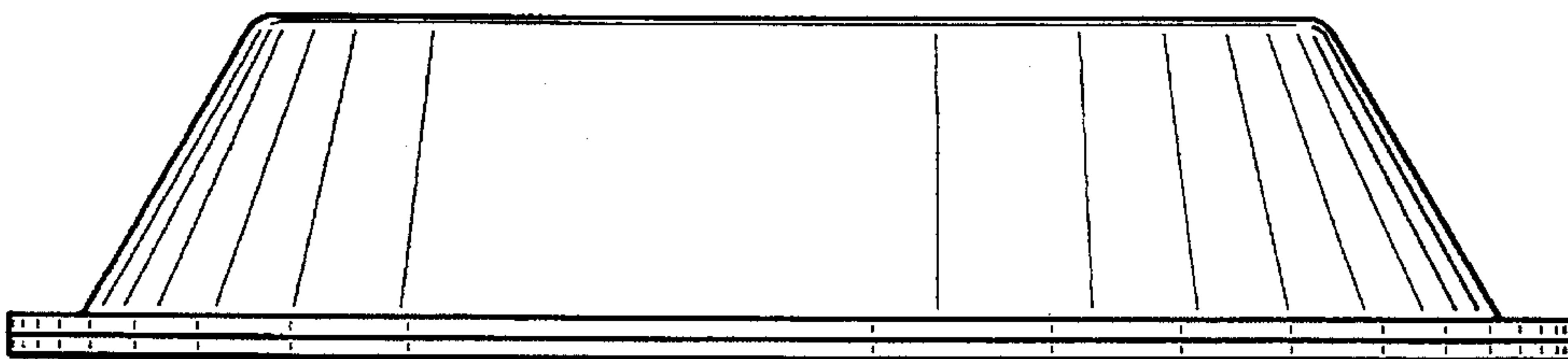




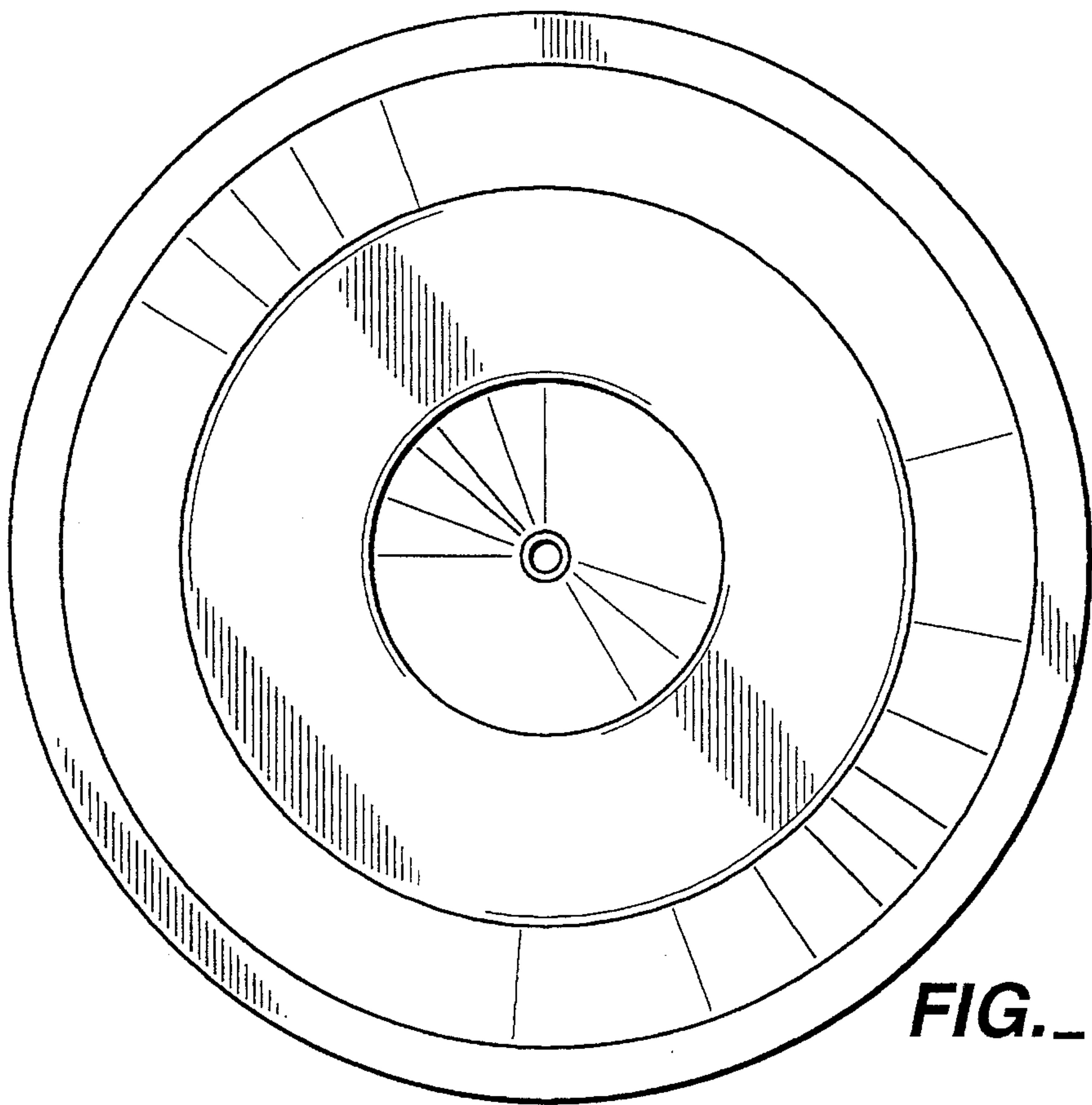
**FIG.\_6**



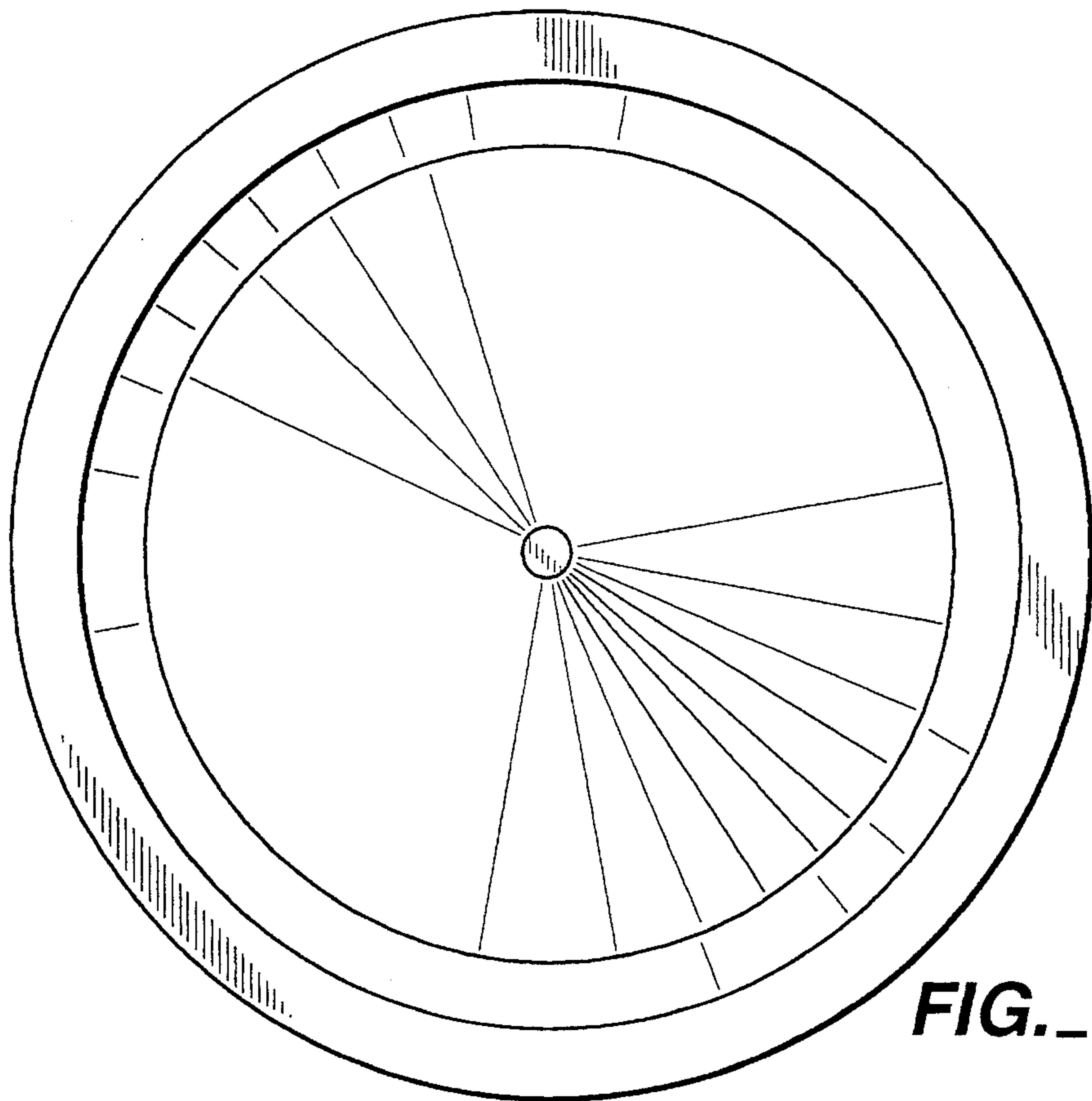
**FIG.\_7**



**FIG.\_8**



**FIG. 9**



**FIG. 10**