



US00D374701S

# United States Patent [19]

Lau

[11] Patent Number: **Des. 374,701**

[45] Date of Patent: **\*\*Oct. 15, 1996**

[54] **TORQUE-FREE SIGHT ACCESSORY**

5,467,531 11/1995 David ..... 33/284

[76] Inventor: **Rocky D. Lau**, P.O. Box 491, Satanta, Kans. 67870

*Primary Examiner*—Louis S. Zarfaz  
*Assistant Examiner*—Monica A. Hannon

[\*\*] Term: **14 Years**

[57] **CLAIM**

[21] Appl. No.: **38,743**

The ornamental design for a torque-free sight accessory, as shown and described.

[22] Filed: **May 12, 1995**

[52] U.S. Cl. .... **D22/107**; D22/100; D22/199

[58] Field of Search ..... D22/100, 107, D22/115, 199; 33/233, 241, 245, 252, 257, 265, 284; 42/90, 100; 124/23.1, 25.6, 86, 87

### DESCRIPTION

FIG. 1 is a front elevational view of the torque-free sight accessory showing my new design; FIG. 2 is a rear elevational view thereof; FIG. 3 is a left side elevational view thereof; FIG. 4 is a right side elevational view thereof; FIG. 5 is a top plan view thereof; FIG. 6 is a bottom plan view thereof; and, FIG. 7 is an isometric view thereof.

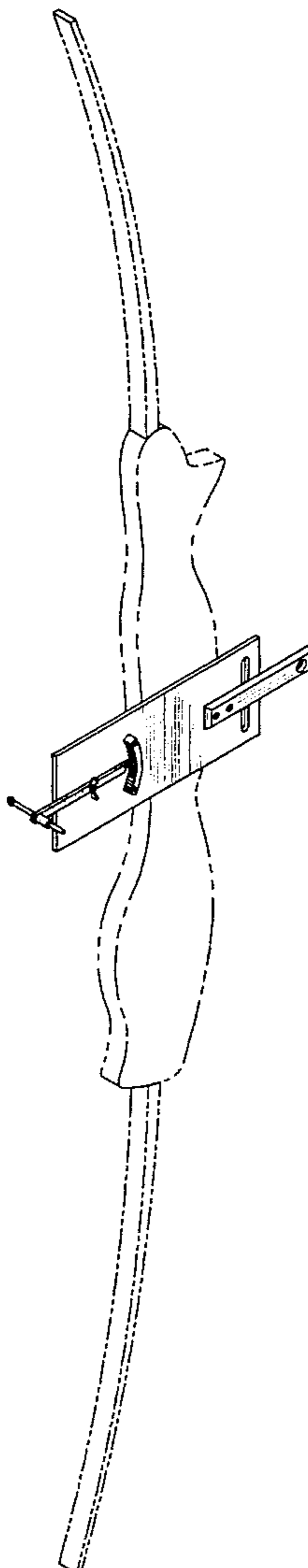
The broken line showing of a bow and quiver in FIG. 7 is for illustrative purposes only and forms no part of the claimed design.

### [56] References Cited

#### U.S. PATENT DOCUMENTS

1,203,097	10/1916	Burket .....	33/284
2,606,367	8/1952	Baumer .....	33/265
2,925,656	2/1960	Genovese .....	33/265
4,580,349	4/1986	Webb et al. ....	33/265
4,974,328	12/1990	Lowry .....	33/265

**1 Claim, 4 Drawing Sheets**



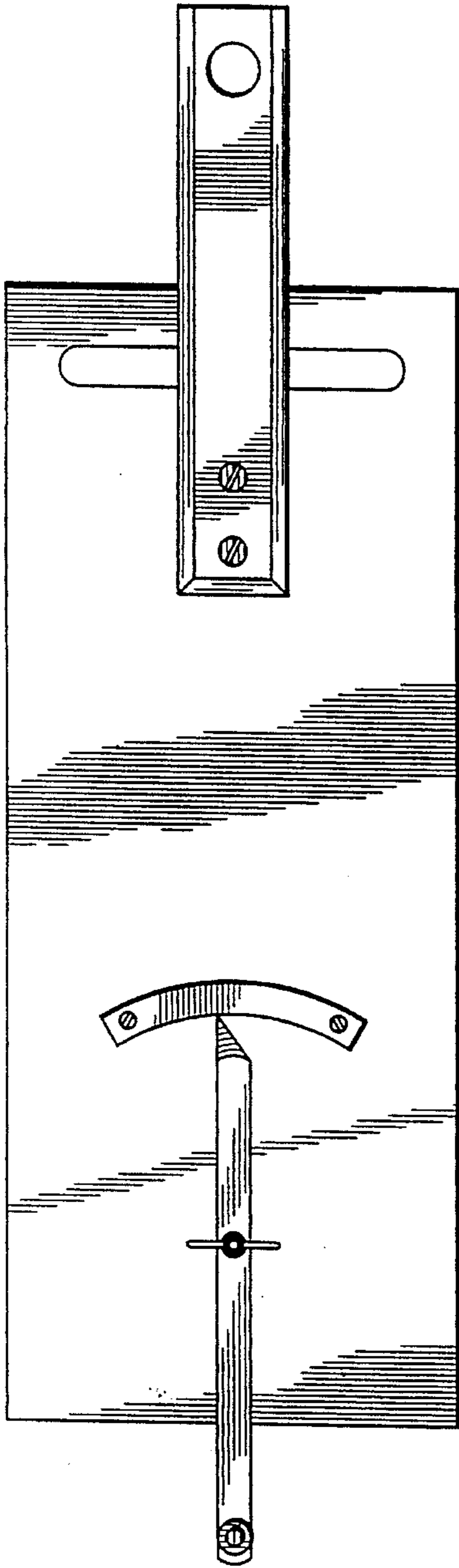


FIG. 1

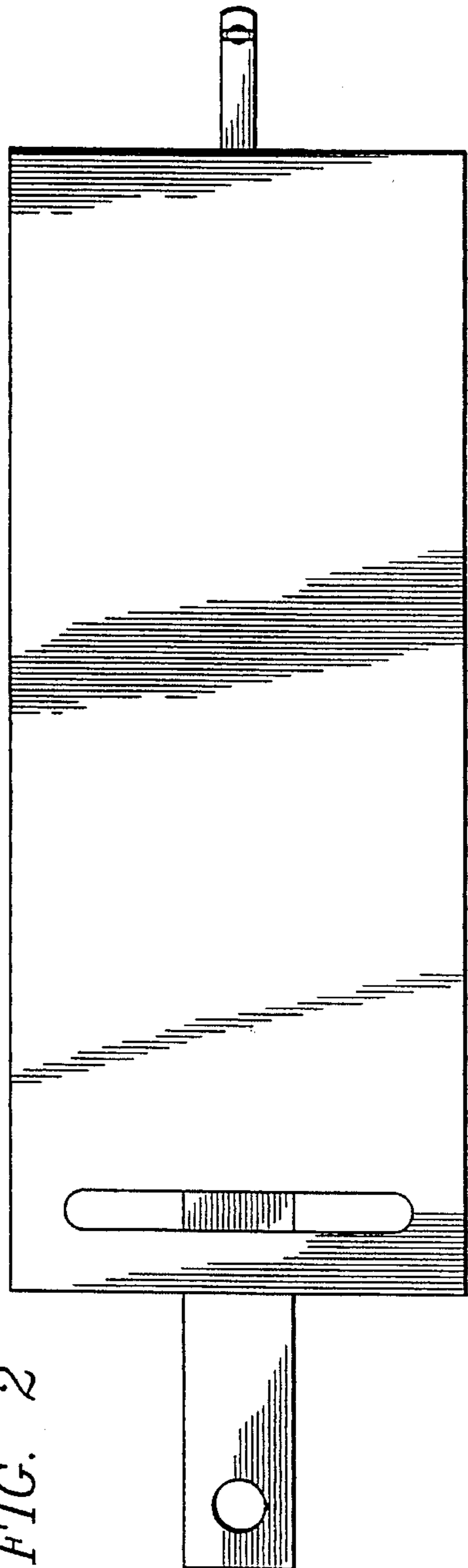


FIG. 2

FIG. 3

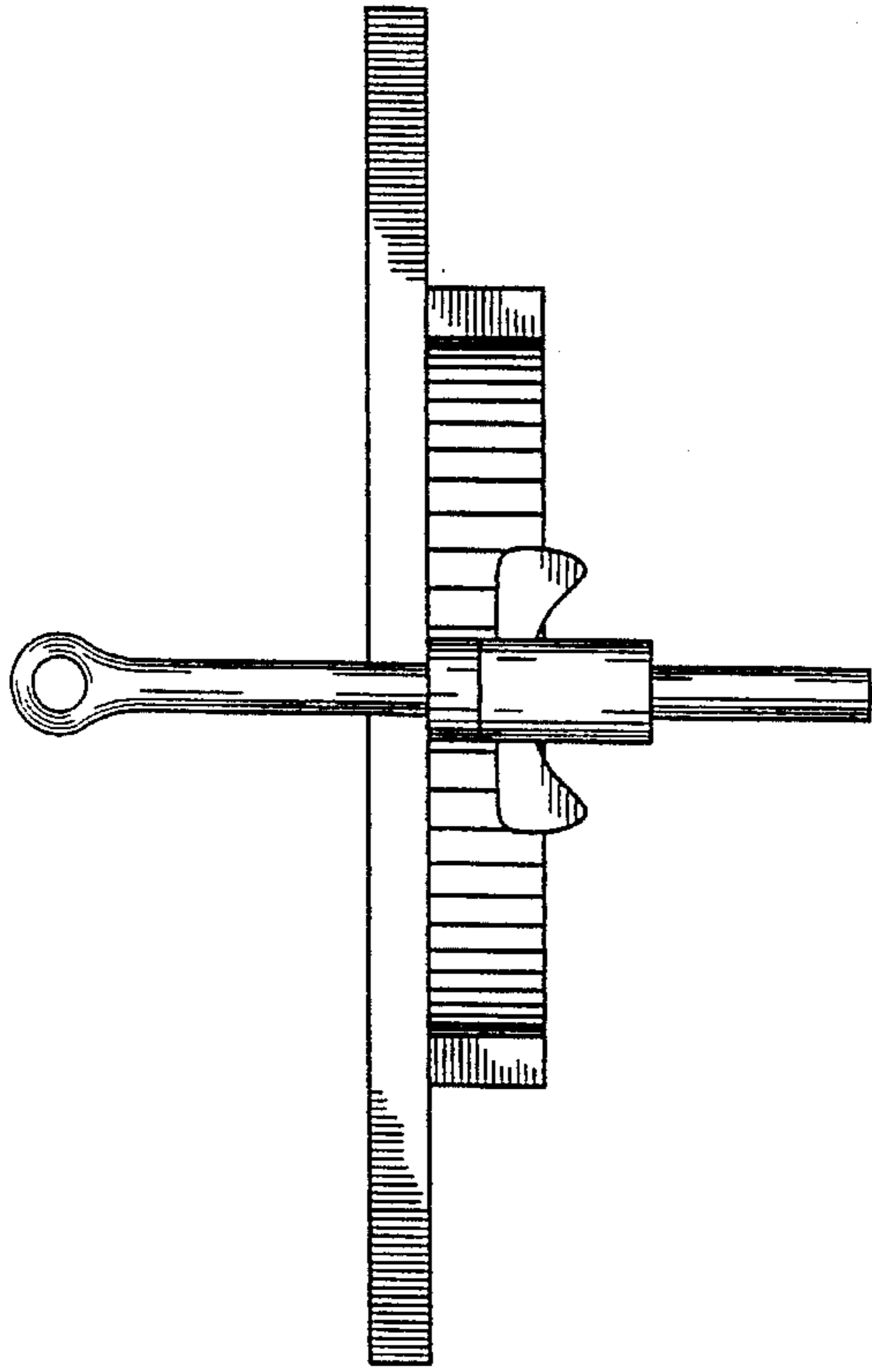


FIG. 4

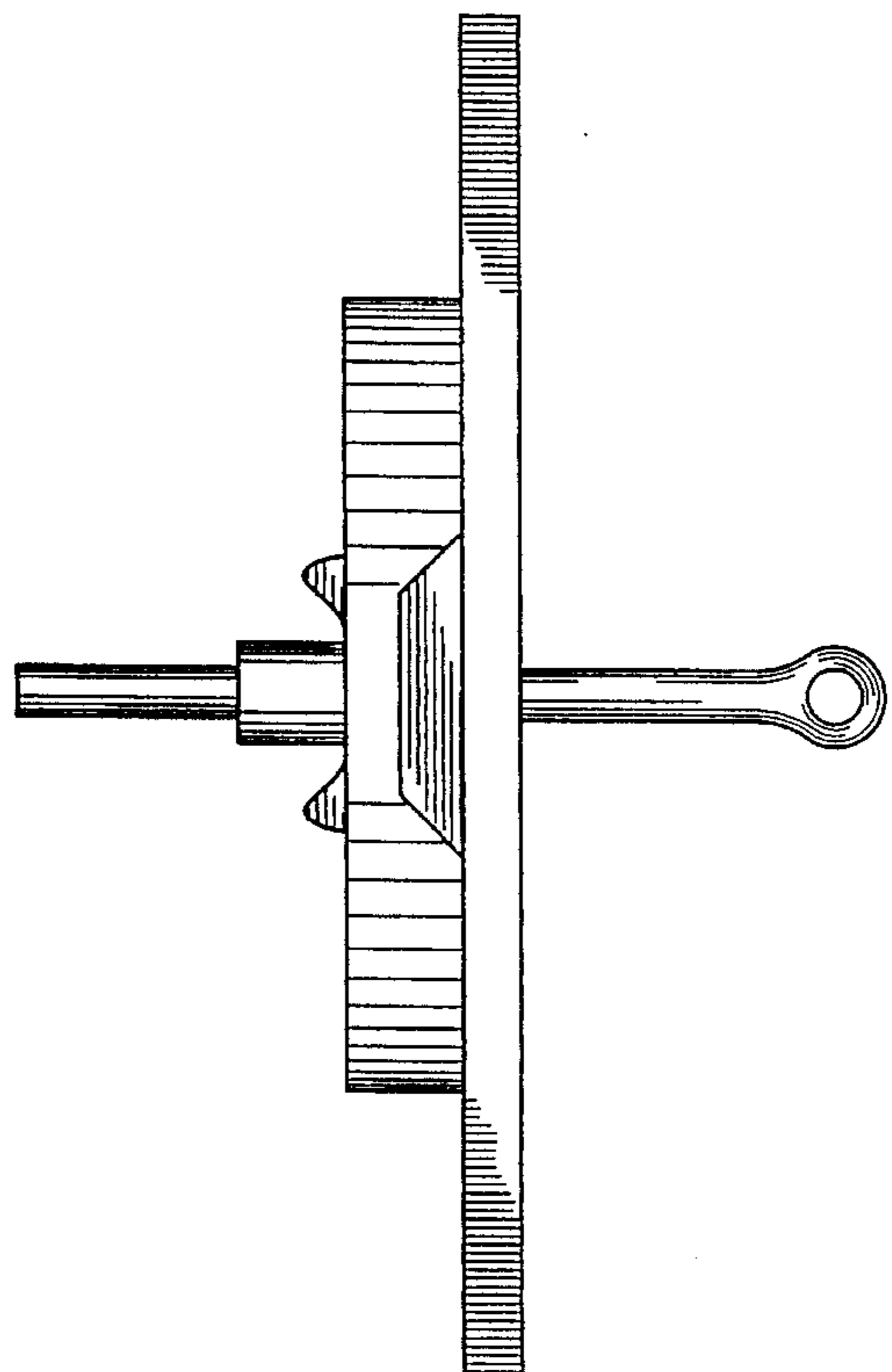


FIG. 5

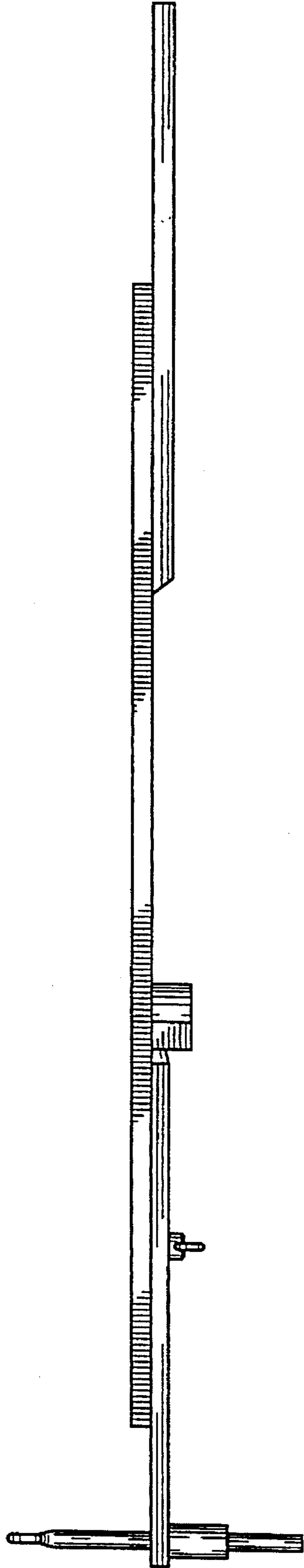


FIG. 6

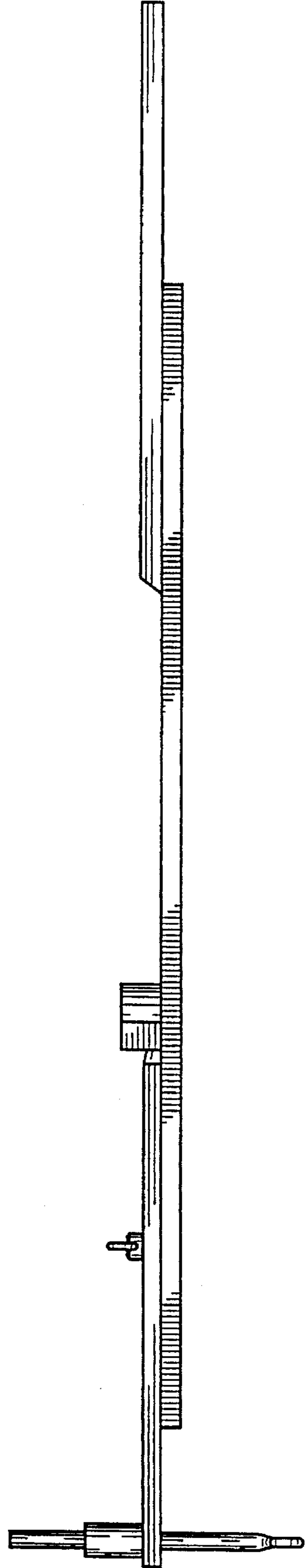


FIG. 7

