



US00D374700S

# United States Patent [19] van Huystee

[11] Patent Number: Des. 374,700

[45] Date of Patent: \*\*Oct. 15, 1996

[54] **PLAY STRUCTURE**

4,378,216 3/1983 Phillips ..... D21/244 X

[75] Inventor: **Maarten van Huystee**, East Aurora, N.Y.

[73] Assignee: **Fisher-Price, Inc.**, East Aurora, N.Y.

[\*\*] Term: **14 Years**

[21] Appl. No.: **42,824**

[22] Filed: **Aug. 18, 1995**

[52] U.S. Cl. .... **D21/244; D21/250**

[58] Field of Search ..... **D21/108, 109, D21/240-245, 250; 472/116, 117; 482/35, 36**

[56] **References Cited**

### U.S. PATENT DOCUMENTS

D. 257,875	1/1981	Rudy	.....	D21/245
D. 281,893	12/1985	Adleman	.....	D21/245
D. 281,985	12/1985	Spirk, Jr. et al.	.....	D21/109
D. 334,040	3/1993	Chou et al.	.....	D21/244
D. 334,045	3/1993	Chou et al.	.....	D21/244
D. 340,098	10/1993	Petersheim	.....	D21/242
D. 343,438	1/1994	Fish, Jr.	.....	D21/244
D. 344,773	3/1994	Aker et al.	.....	D21/244
D. 355,693	2/1995	Aker et al.	.....	D21/244

### OTHER PUBLICATIONS

Little Tikes: Toys That Last, 1994, "Tike Treehouse", p. 58.  
Little Tikes: Toys That Last, 1994, "Wave Climber", p. 59.  
Flexible Flyer: "Playtime Choo-Choo", p. 3.  
Stop Two: A Step Beyond, 1994, "First Climber", p. 4.

*Primary Examiner*—Ted Shooman

*Assistant Examiner*—Mitchell I. Siegel

*Attorney, Agent, or Firm*—Howrey & Simon; C. Scott Talbot; Jennifer M. Hall

### [57] CLAIM

The ornamental design for a play structure, as shown and described.

### DESCRIPTION

FIG. 1 is a right perspective view of a play structure showing my new design;

FIG. 2 is a left side elevation view thereof;

FIG. 3 is a right side elevation view thereof;

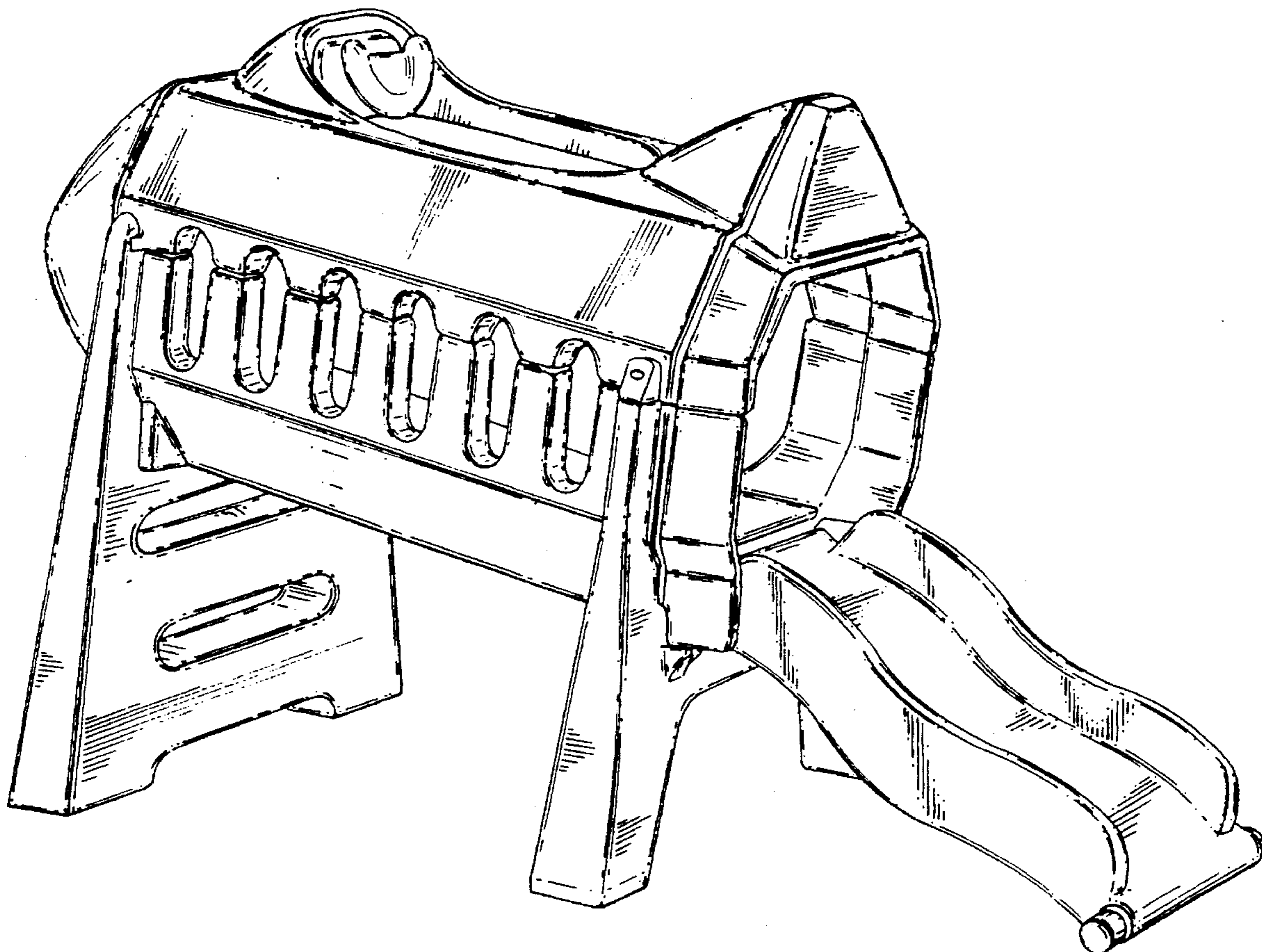
FIG. 4 is a top plan view thereof;

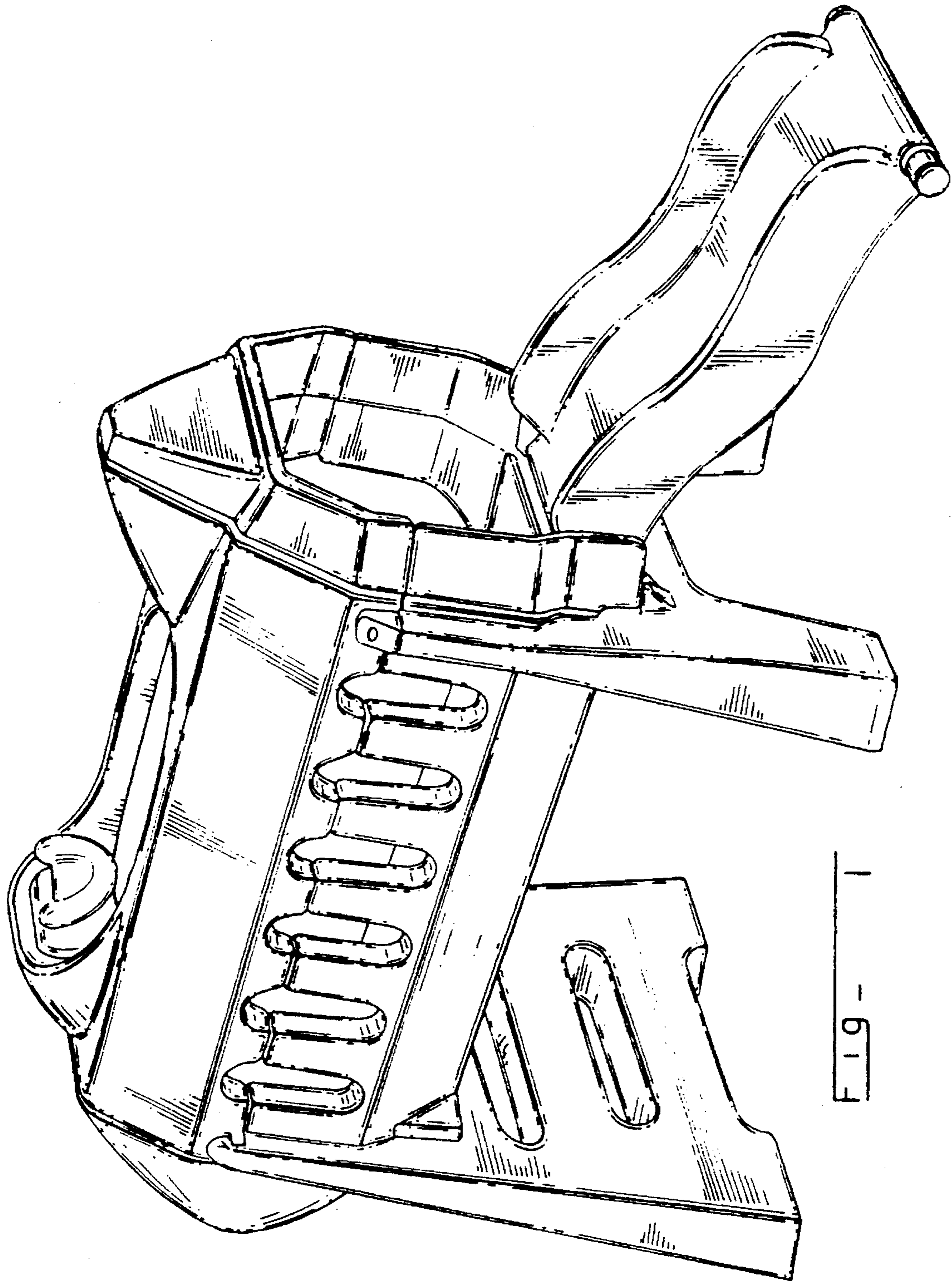
FIG. 5 is a bottom plan view thereof;

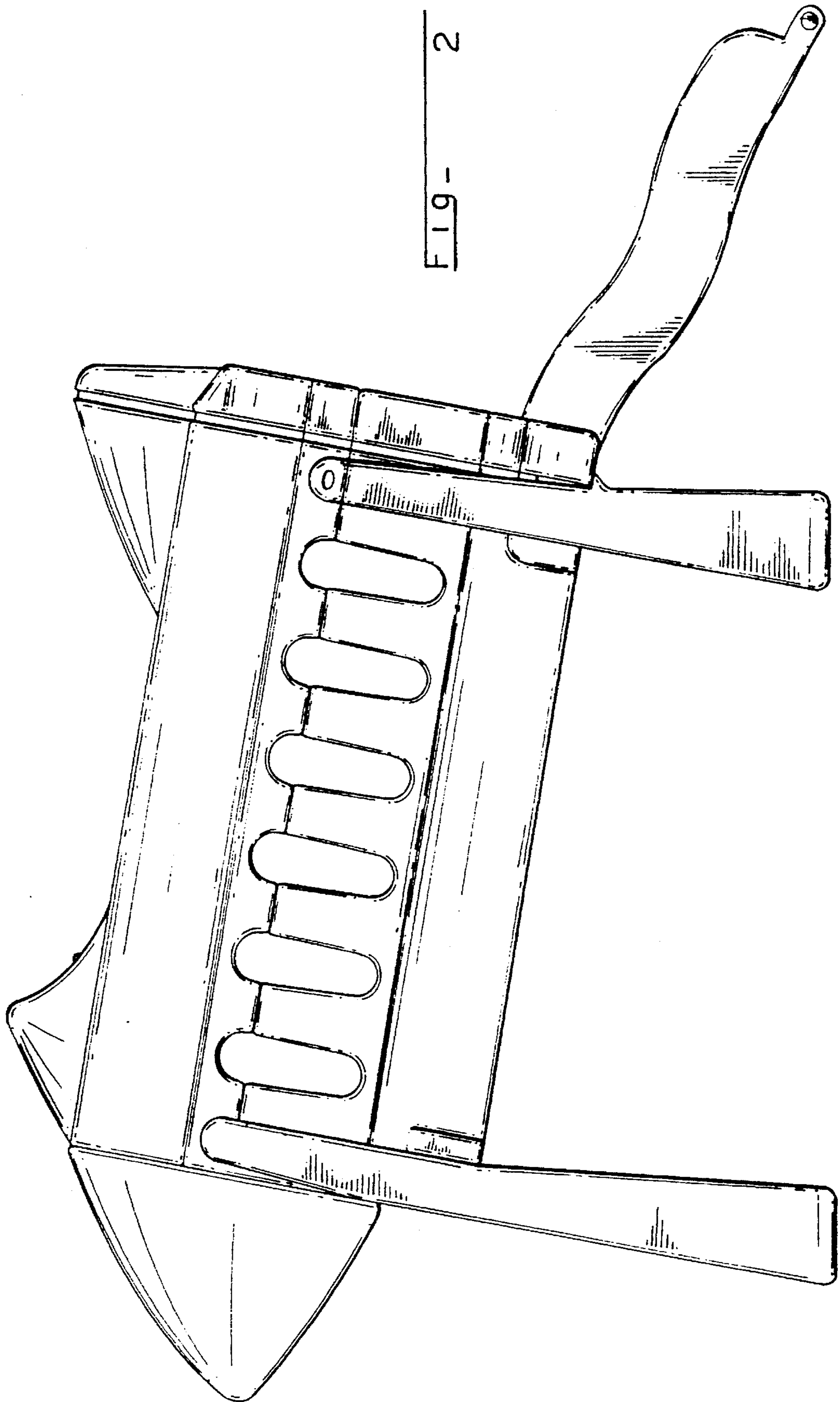
FIG. 6 is a front elevation view thereof; and,

FIG. 7 is a rear elevation view.

**1 Claim, 6 Drawing Sheets**







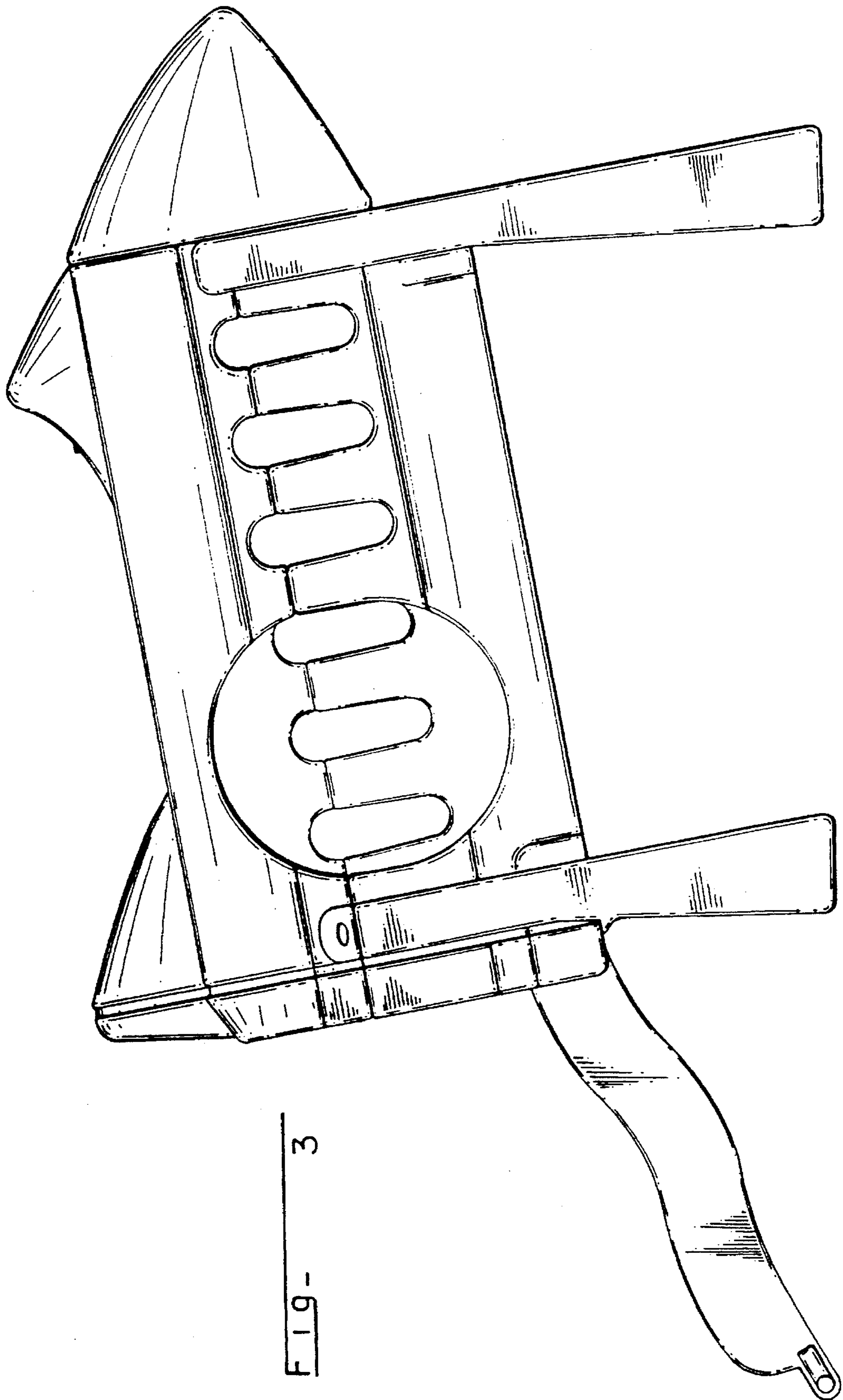
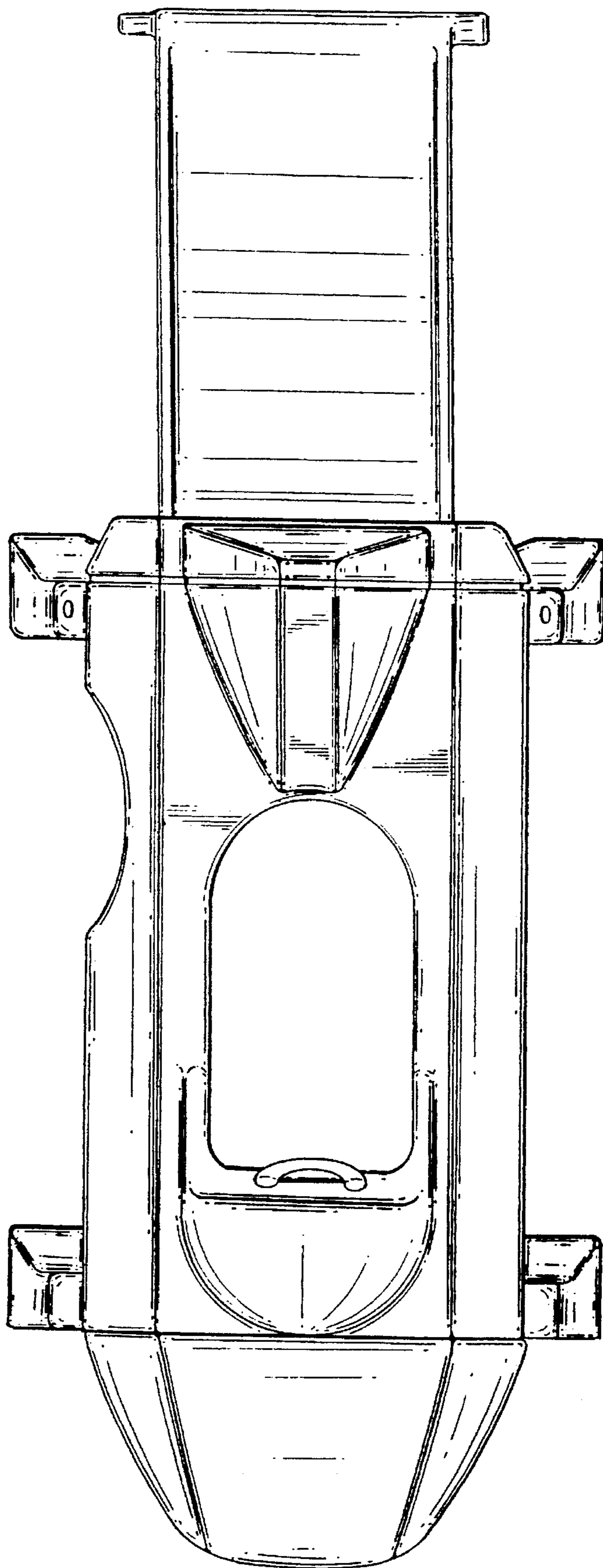


FIG. 3

FIG- 4



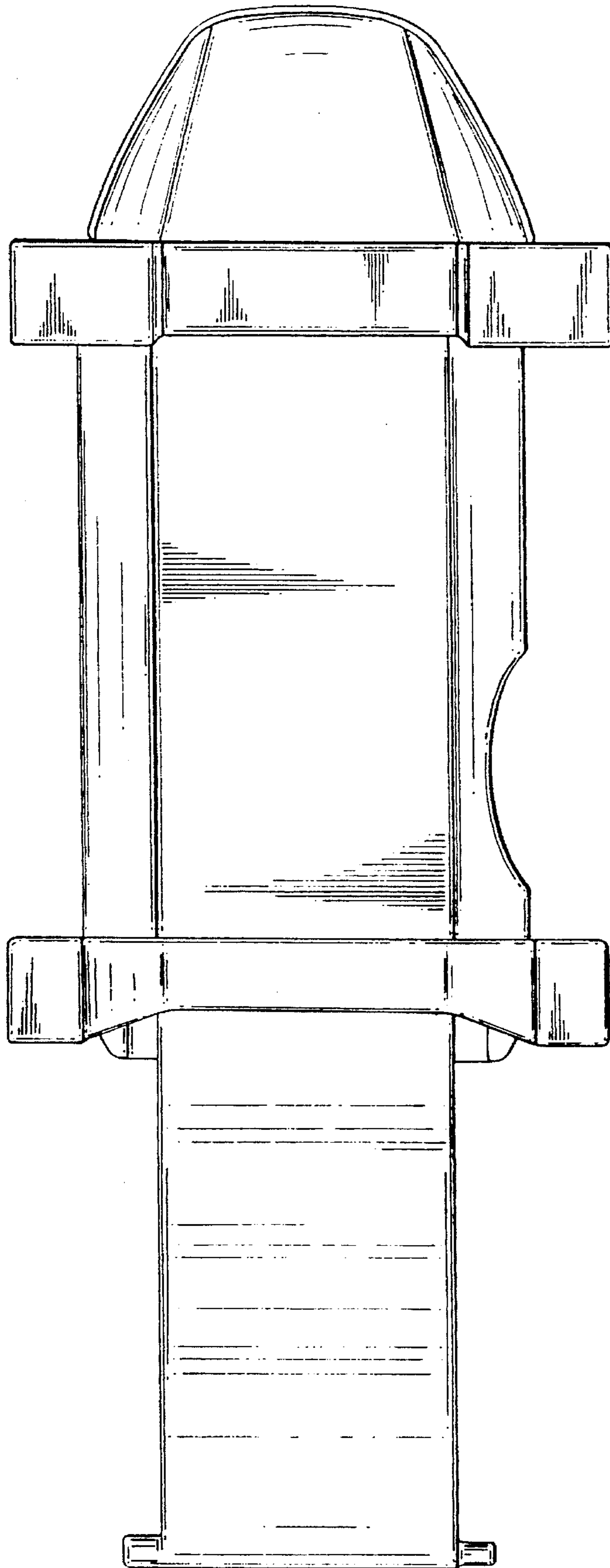


Fig - 5

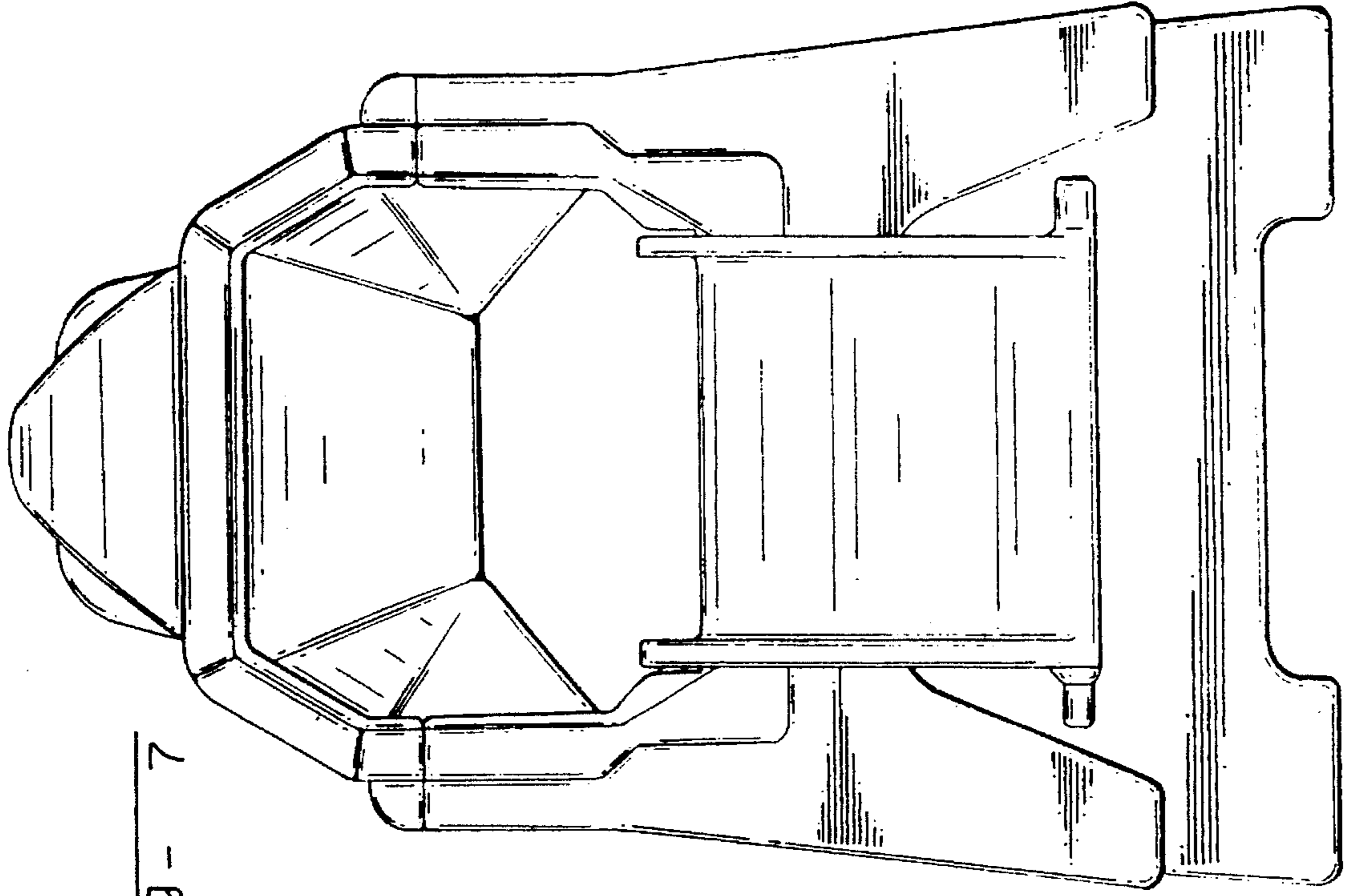


FIG- 7

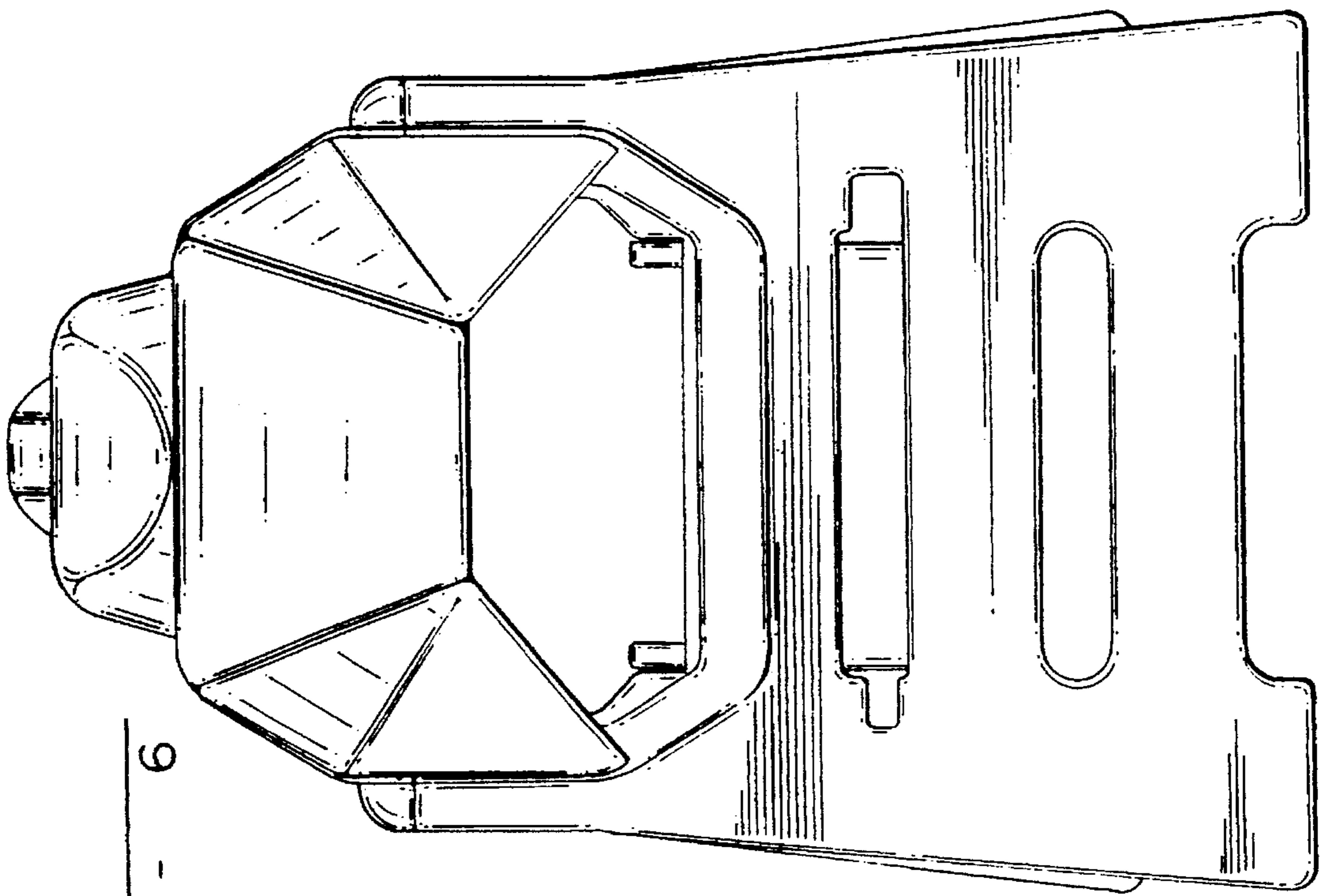


FIG- 6