



US00D374698S

United States Patent [19]

[11] Patent Number: **Des. 374,698**

Paciorek

[45] Date of Patent: ****Oct. 15, 1996**

[54] **BILLIARD BALL RACK**

Attorney, Agent, or Firm—Weintraub DuRoss & Brady

[76] Inventor: **Gerald L. Paciorek**, 1875 Michigan #C9, Marysville, Mich. 48060

[57] **CLAIM**

[**] Term: **14 Years**

The ornamental design for a billiard ball rack, as shown and described.

[21] Appl. No.: **45,663**

DESCRIPTION

[22] Filed: **Oct. 26, 1995**

FIG. 1 is a perspective view of a billiard ball rack showing my new design;

[52] U.S. Cl. **D21/232**

FIG. 2 is a front elevational view thereof;

[58] Field of Search D21/232; 473/21-26, 473/40, 41

FIG. 3 is a top plan view thereof;

FIG. 4 is a left side elevational view thereof;

FIG. 5 is a bottom plan view thereof;

FIG. 6 is a right side elevational view thereof;

FIG. 7 is a rear elevational view thereof;

FIG. 8 is a perspective view of a second embodiment of FIG. 1;

FIG. 9 is a front elevational view thereof;

FIG. 10 is a top plan view thereof;

FIG. 11 is a left side elevational view thereof;

FIG. 12 is a bottom plan view thereof;

FIG. 13 is a right side elevational view thereof; and,

FIG. 14 is a rear elevational view thereof.

The views in FIGS. 2-7 inclusive and FIGS. 9-14 inclusive are shown in small scale.

[56] References Cited

U.S. PATENT DOCUMENTS

D. 159,558	8/1950	Sundell	473/40
D. 272,378	1/1984	Cayton	D21/232
D. 315,942	4/1991	Cahill	D21/232
854,799	5/1907	Callahan	473/40
4,307,881	12/1981	Jaworski	473/40
4,452,450	6/1984	Cayton	473/40
4,619,455	10/1986	Quaraishi	473/40 X
4,768,781	9/1988	McMillin	473/40 X

FOREIGN PATENT DOCUMENTS

2156690	10/1985	United Kingdom	1/1
---------	---------	----------------	-----

Primary Examiner—Prabhakar G. Deshmukh

1 Claim, 2 Drawing Sheets

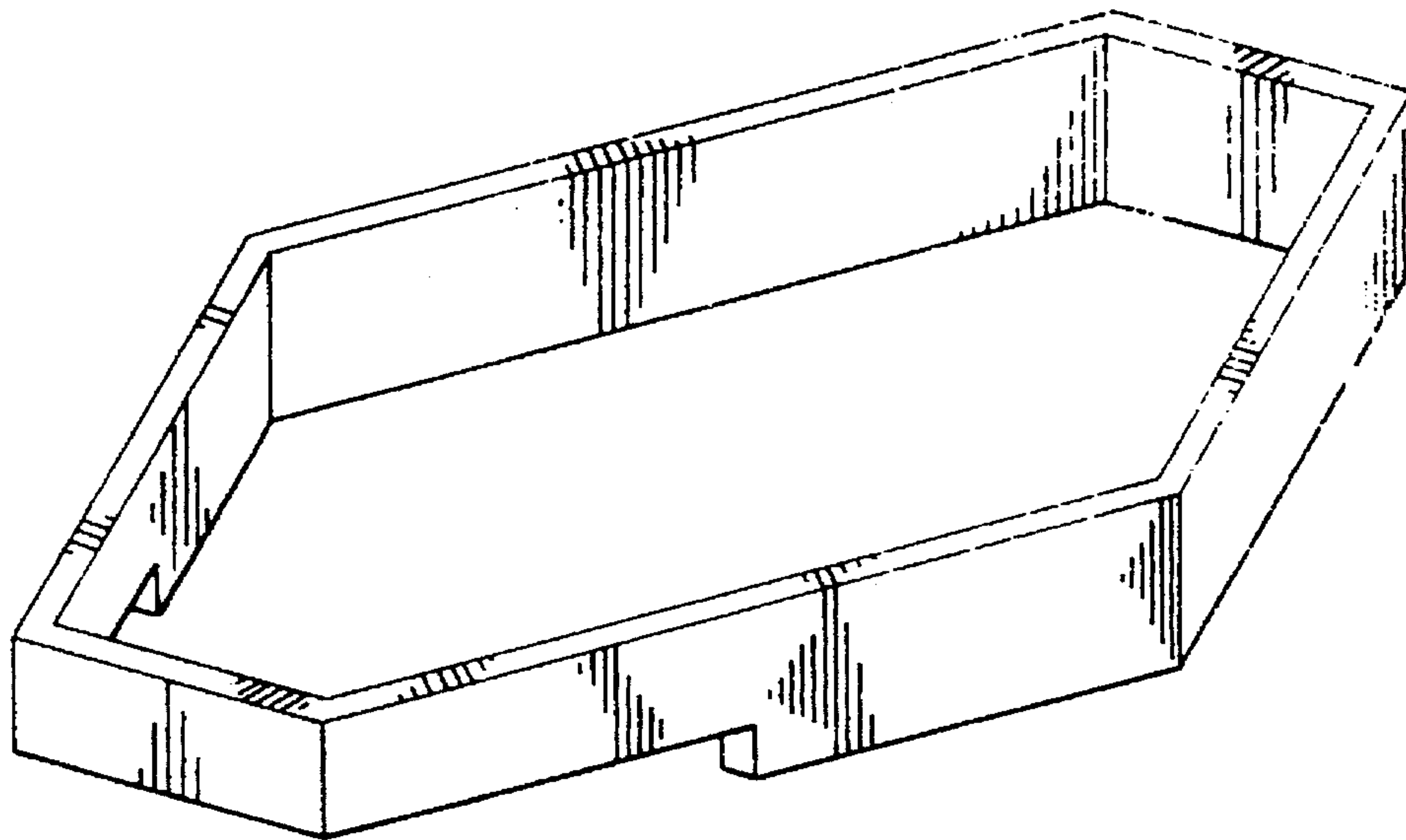


FIG 1

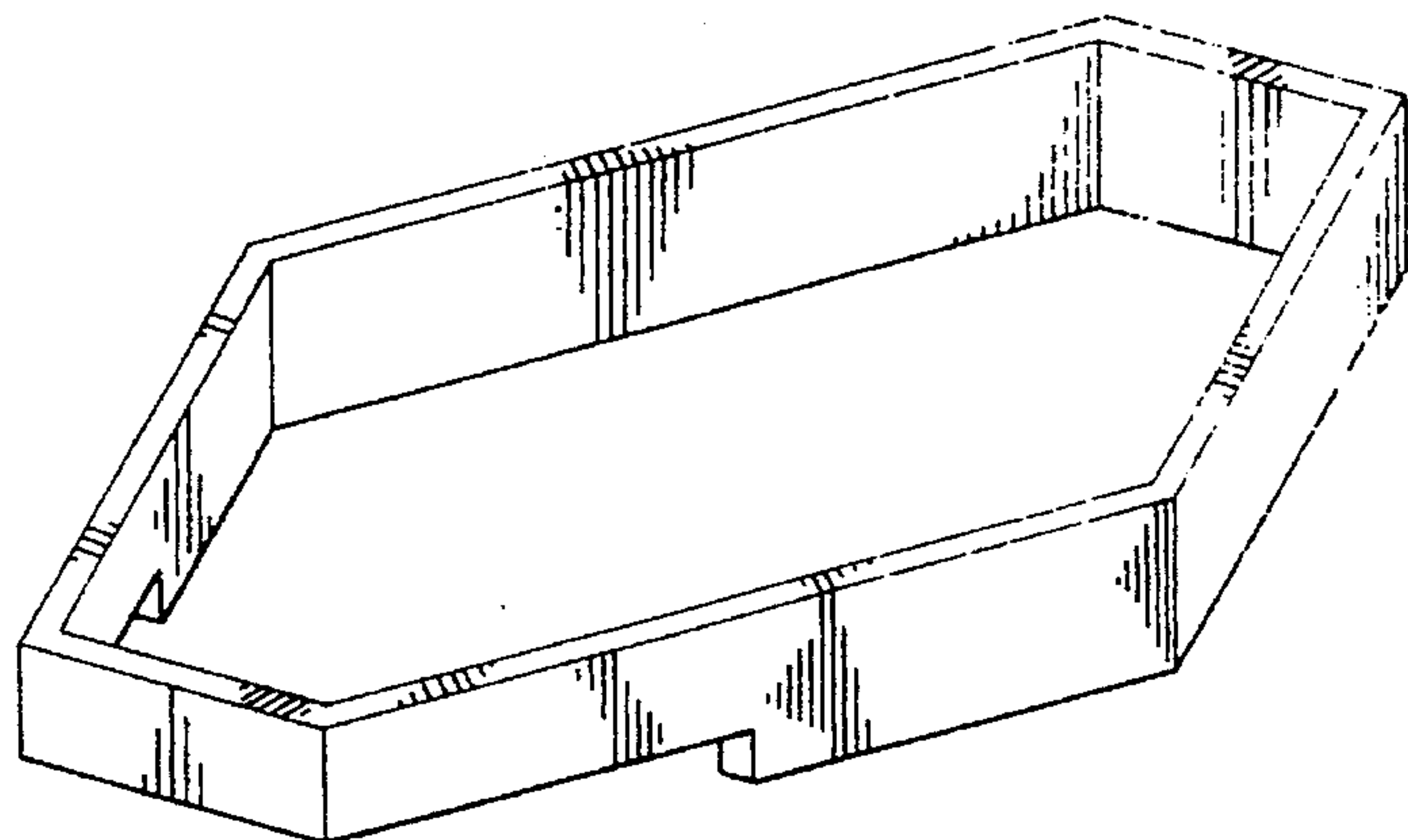


FIG 2

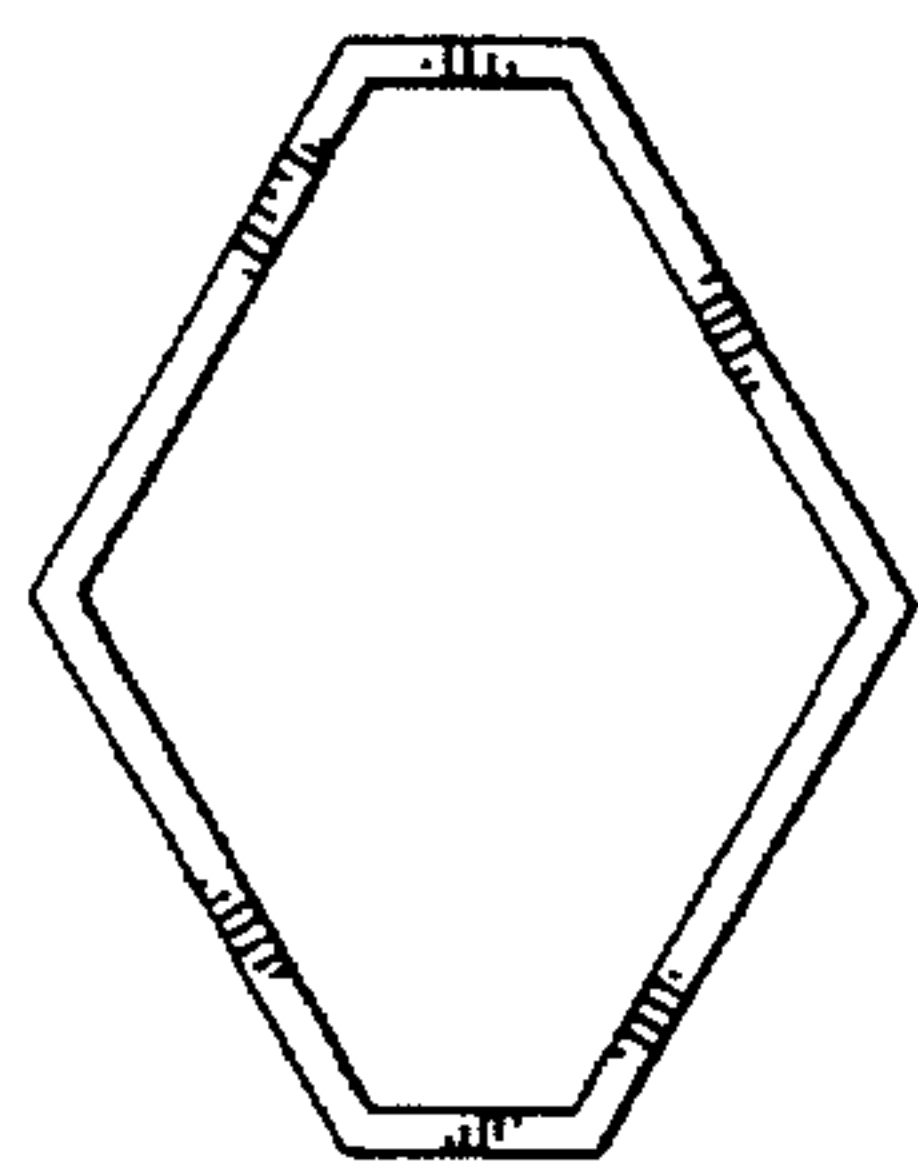
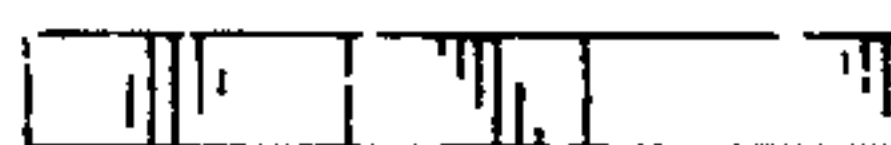


FIG 3



FIG 4

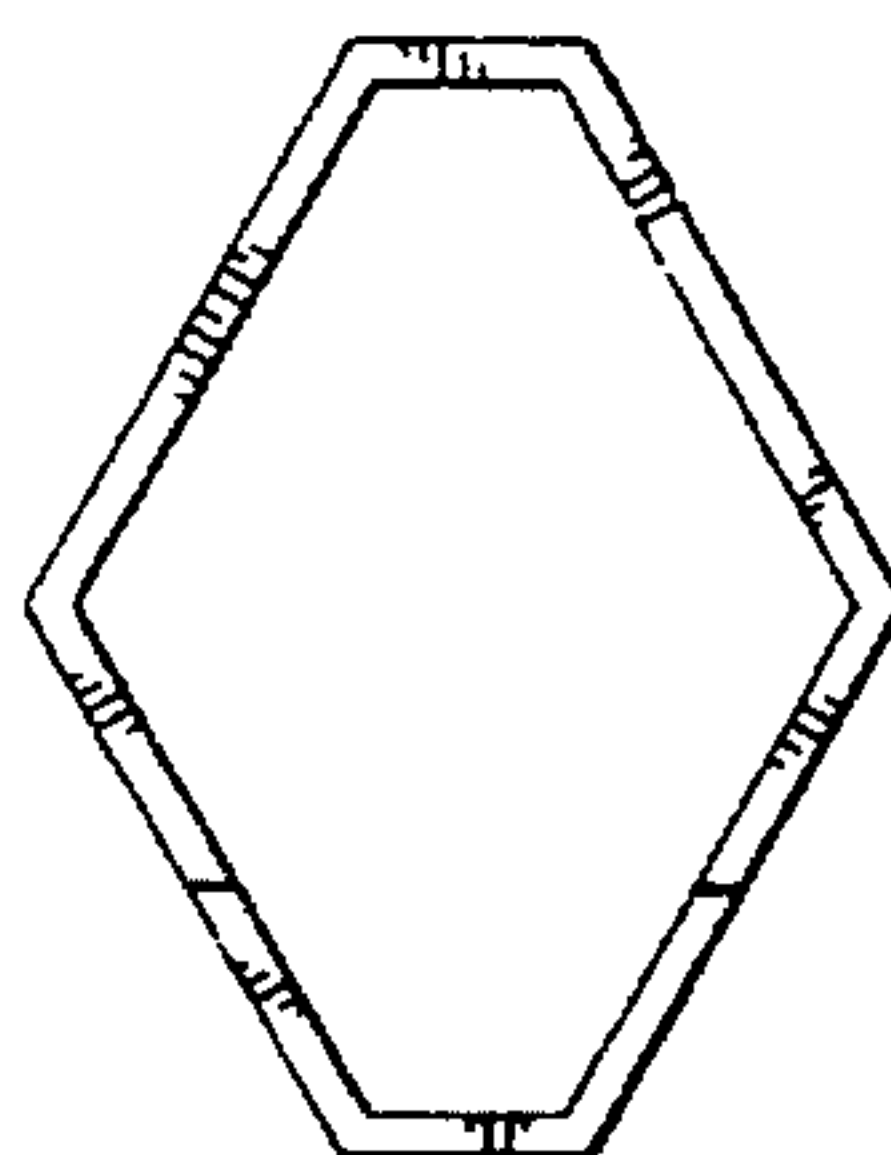


FIG 5



FIG 6

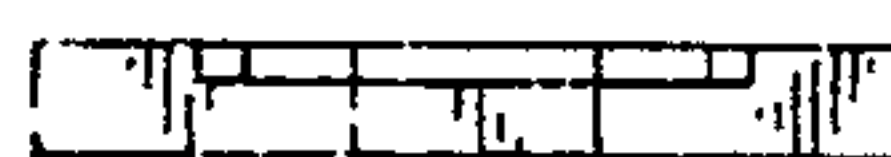


FIG 7

FIG 8

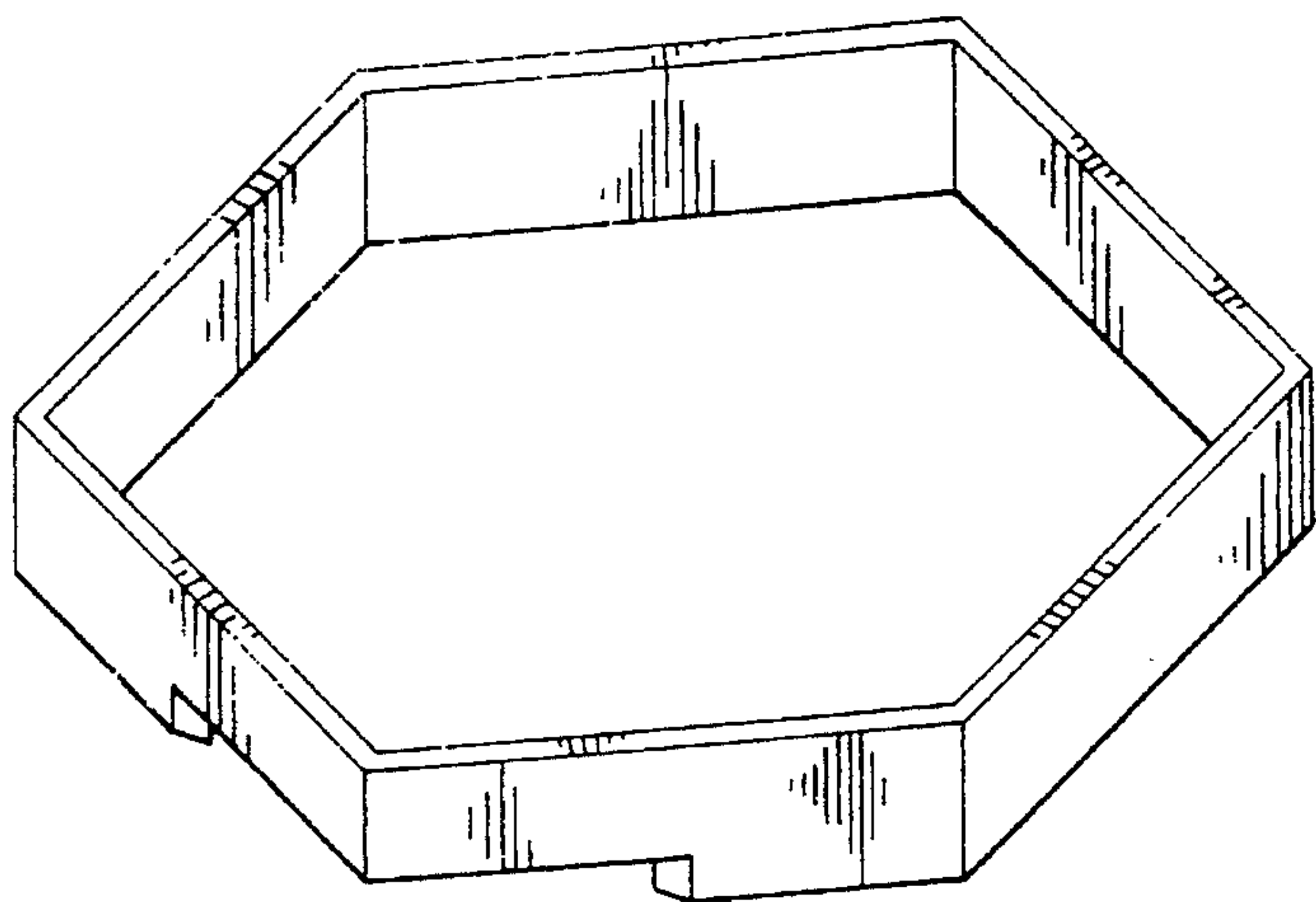


FIG 9

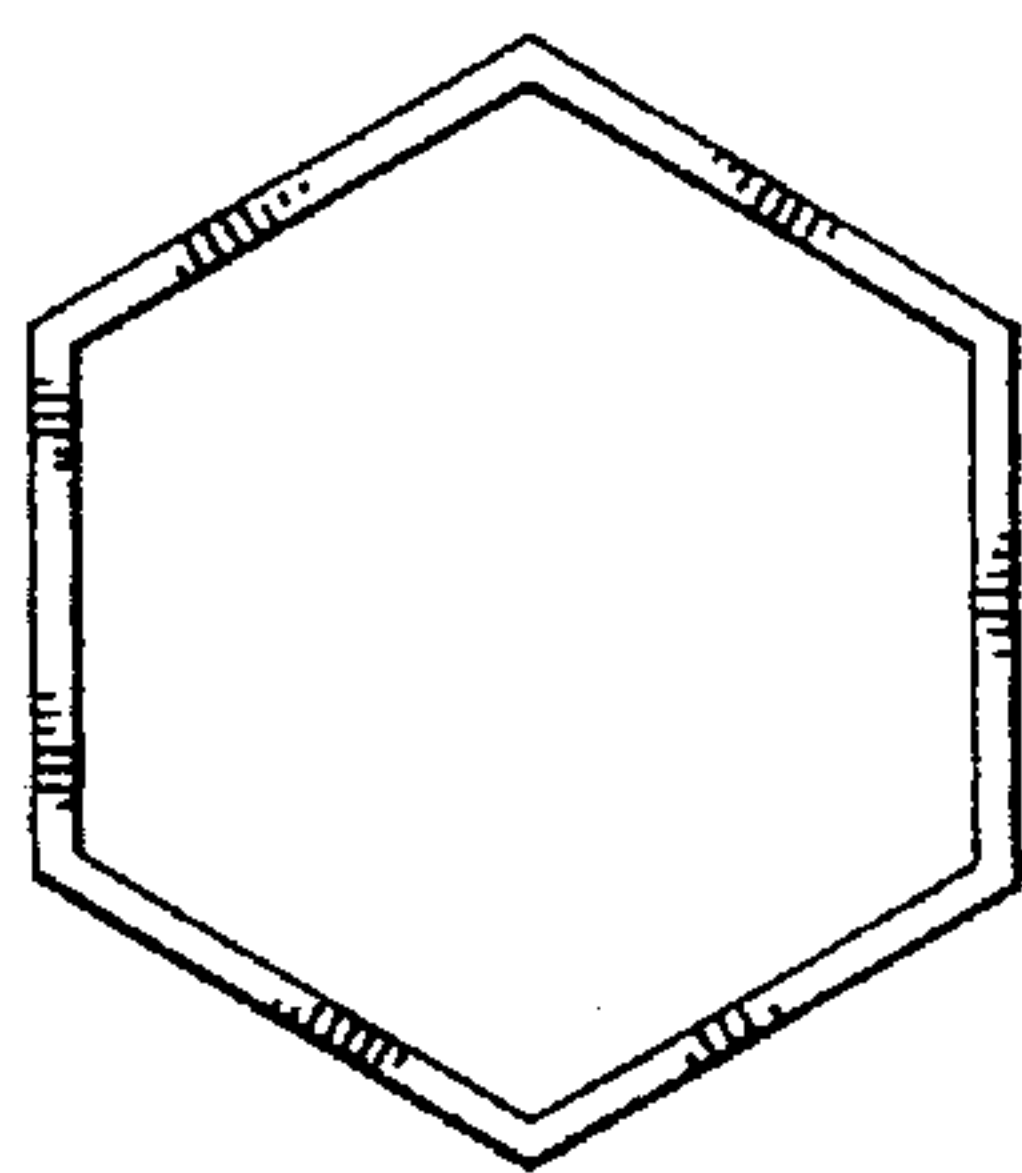


FIG 10



FIG 11

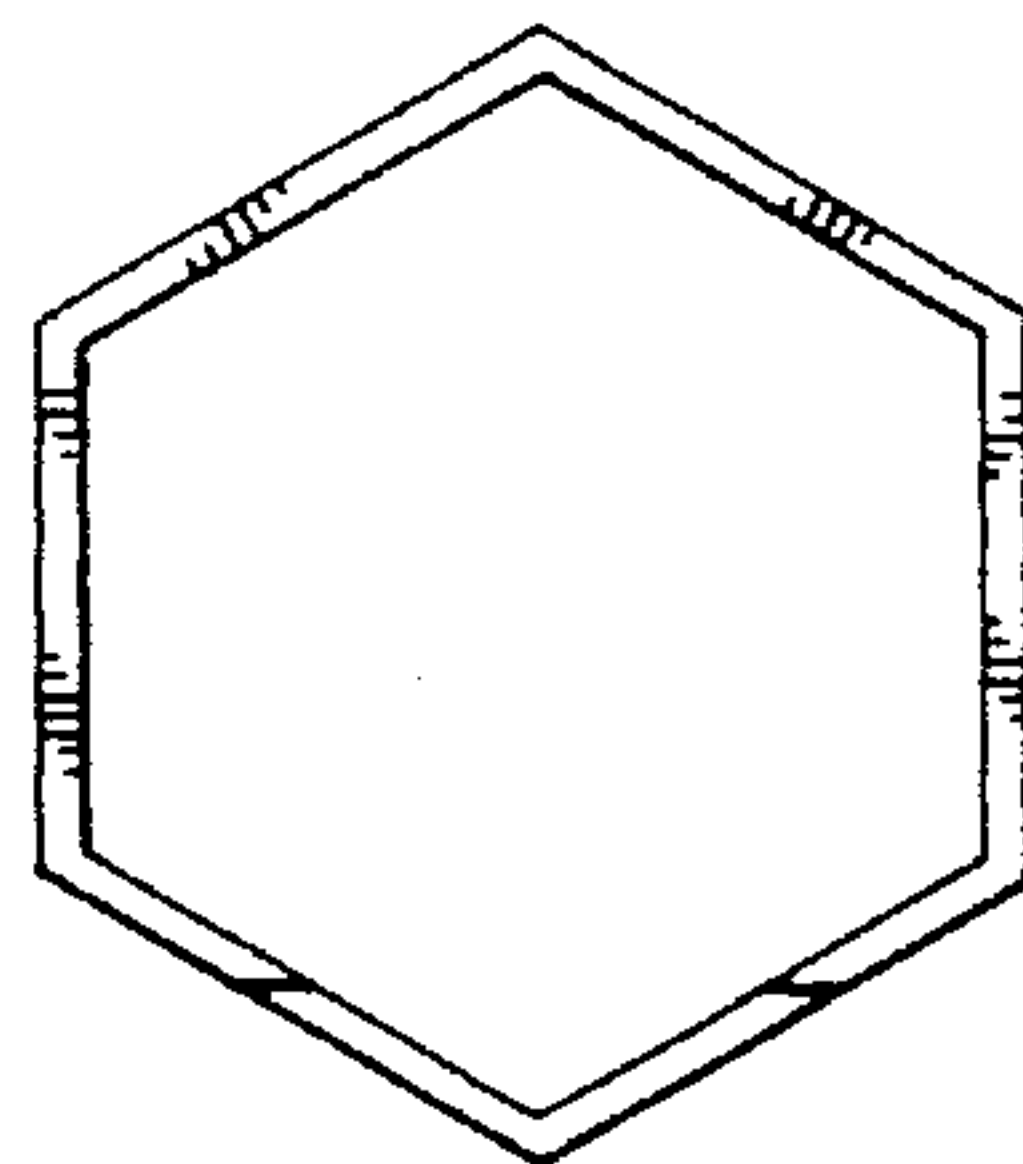


FIG 12

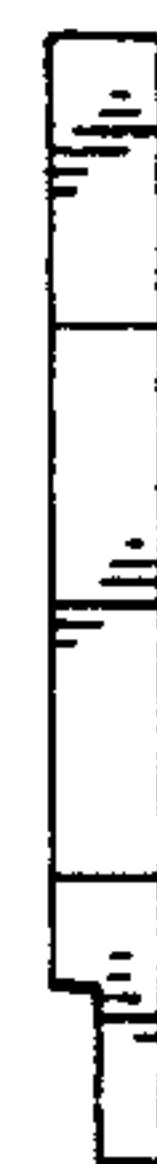


FIG 13

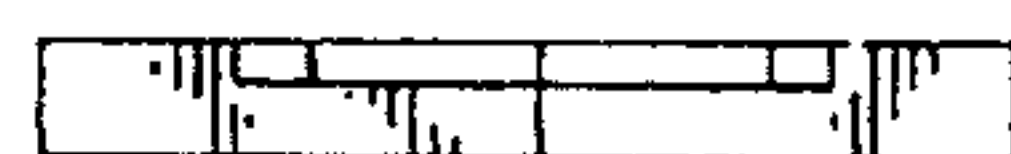


FIG 14