



US00D374697S

United States Patent [19]
McKnight

[11] **Patent Number: Des. 374,697**

[45] **Date of Patent: **Oct. 15, 1996**

[54] **GOLF BALL RETRIEVER**

5,395,146 3/1995 Liu et al. 294/19.2
5,476,297 12/1995 Lombard 294/19.2

[76] Inventor: **E. Covington McKnight**, 14493 Wicks Blvd., San Leandro, Calif. 94577

Primary Examiner—Prabhakar G. Deshmukh
Assistant Examiner—Cheri Cohen
Attorney, Agent, or Firm—Harris Zimmerman

[**] Term: **14 Years**

[21] Appl. No.: **35,123**

[57] **CLAIM**

[22] Filed: **Feb. 21, 1995**

The ornamental design for a golf ball retriever, as shown and described.

[52] U.S. Cl. **D21/206**

[58] Field of Search D21/206; 273/162 E,
273/162 D, 32 F; 294/19.2, 19.1, 24

DESCRIPTION

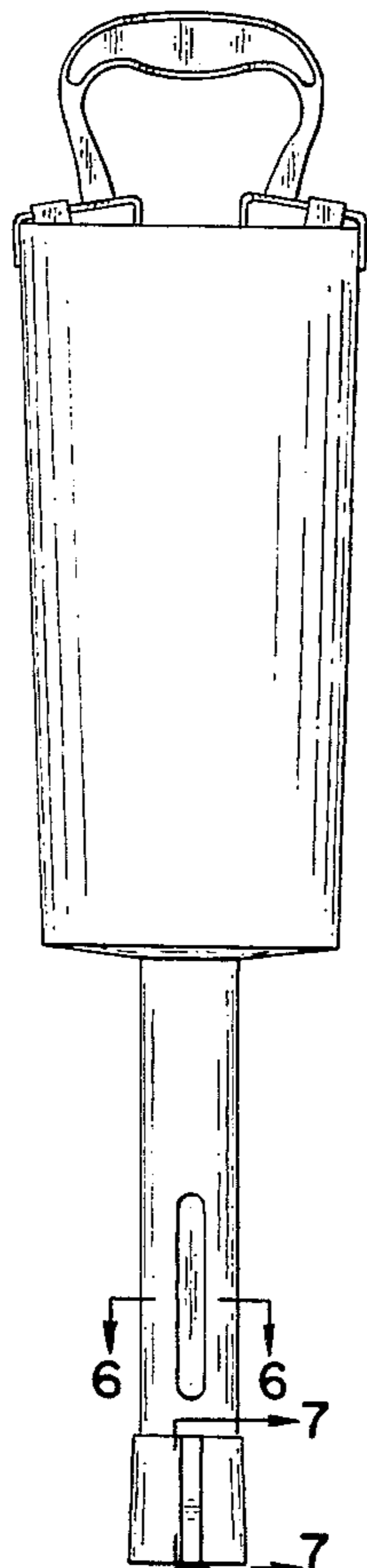
[56] **References Cited**

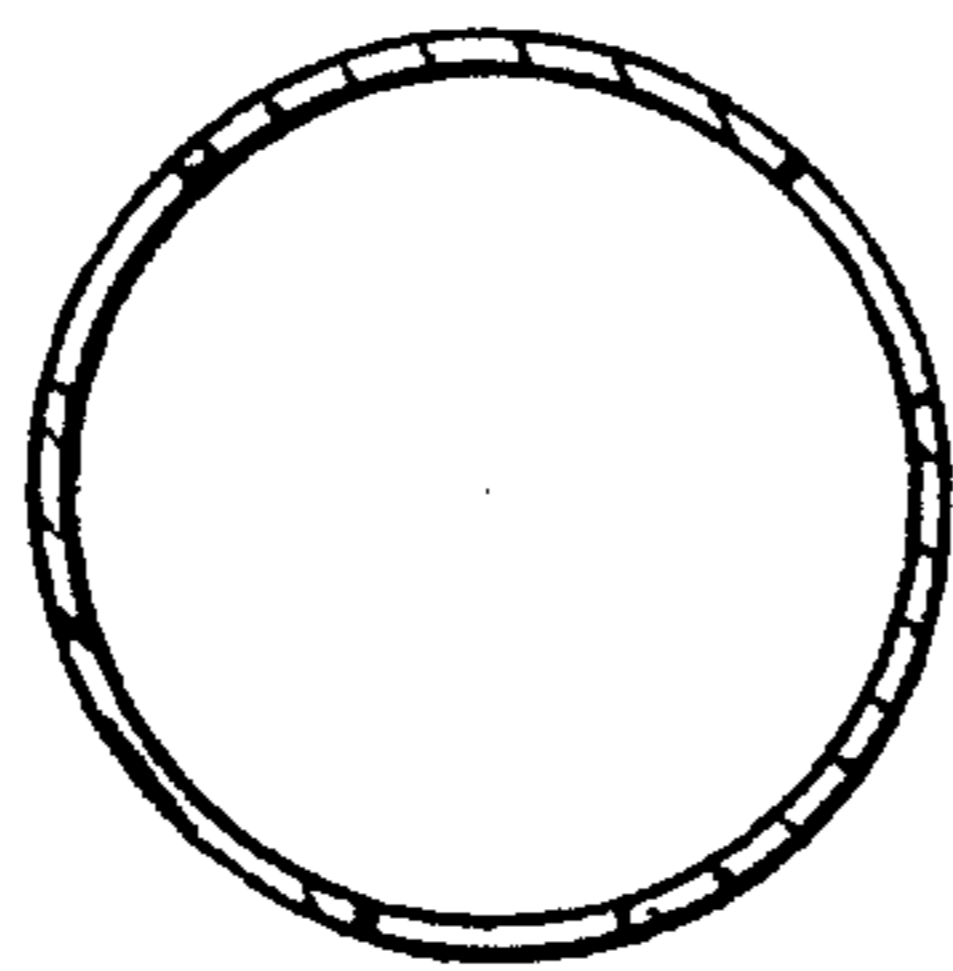
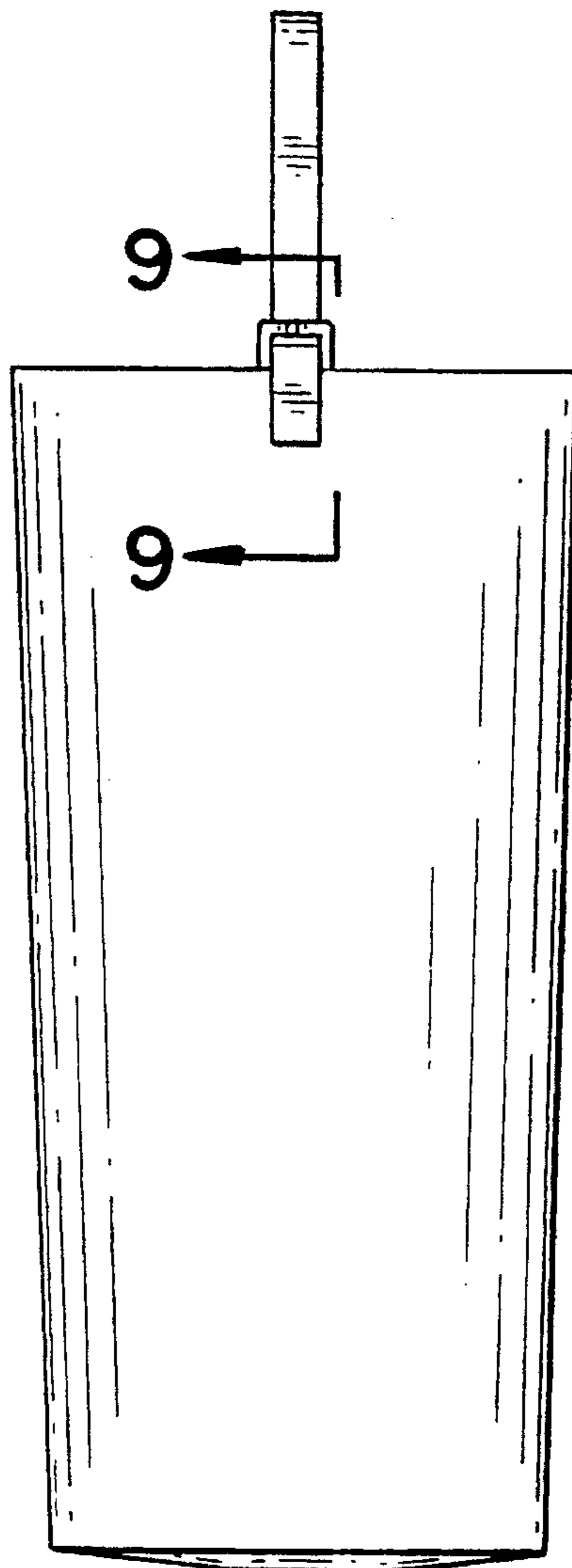
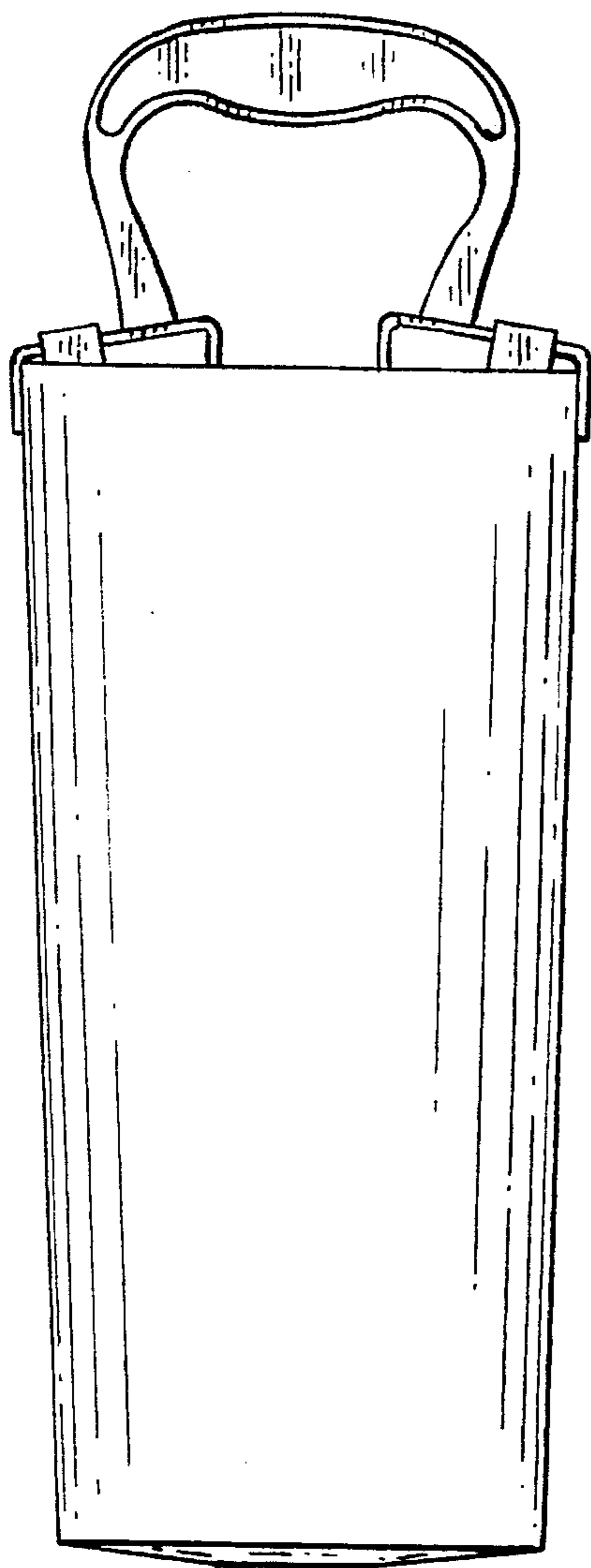
U.S. PATENT DOCUMENTS

D. 239,121	3/1976	Travaglio	D21/206
D. 317,673	6/1991	Movitz	D21/206 X
D. 350,579	9/1994	Lee	D21/206
D. 352,982	11/1994	Winchell	D21/206
1,937,828	12/1933	MacDonald	.	
2,027,546	1/1936	MacDonald	.	
2,203,170	6/1940	MacDonald	.	
2,516,622	7/1950	George	.	
2,736,157	2/1956	Weathersby	.	
3,117,814	1/1964	Webb	294/19.2
3,186,593	6/1965	Miotke	294/19.2 X
3,316,008	4/1967	Baugh, Jr.	.	
3,558,170	4/1968	Stanworth	.	
3,957,297	5/1976	Hanks	.	
4,063,769	12/1977	Zimmer	.	
5,340,179	8/1994	Rubin	294/19.2

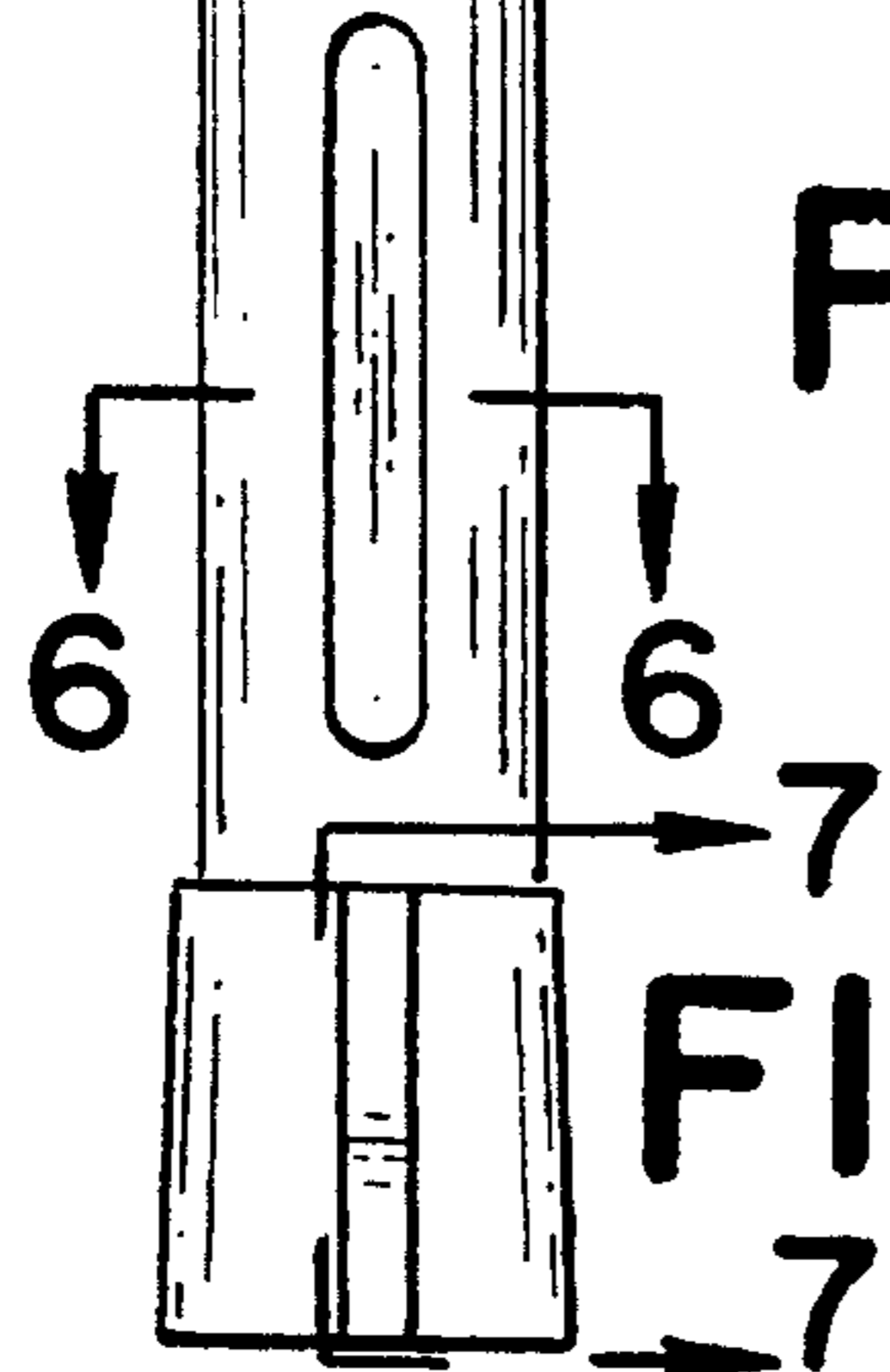
FIG. 1 is a front elevational view of a golf ball retriever showing my new design;
FIG. 2 is a side elevational view thereof;
FIG. 3 is a top plan view;
FIG. 4 is a bottom plan view;
FIG. 5 is a cross sectional view taken along line 5—5 of FIG. 3;
FIG. 6 is a cross sectional view taken along line 6—6 of FIG. 1;
FIG. 7 is a cross sectional view taken along line 7—7 of FIG. 1;
FIG. 8 is a cross sectional view taken along line 8—8 of FIG. 5;
FIG. 9 is a cross sectional view taken along line 9—9 of FIG. 2; and,
FIG. 10 is a cross sectional view taken along line 10—10 of FIG. 9.

1 Claim, 2 Drawing Sheets





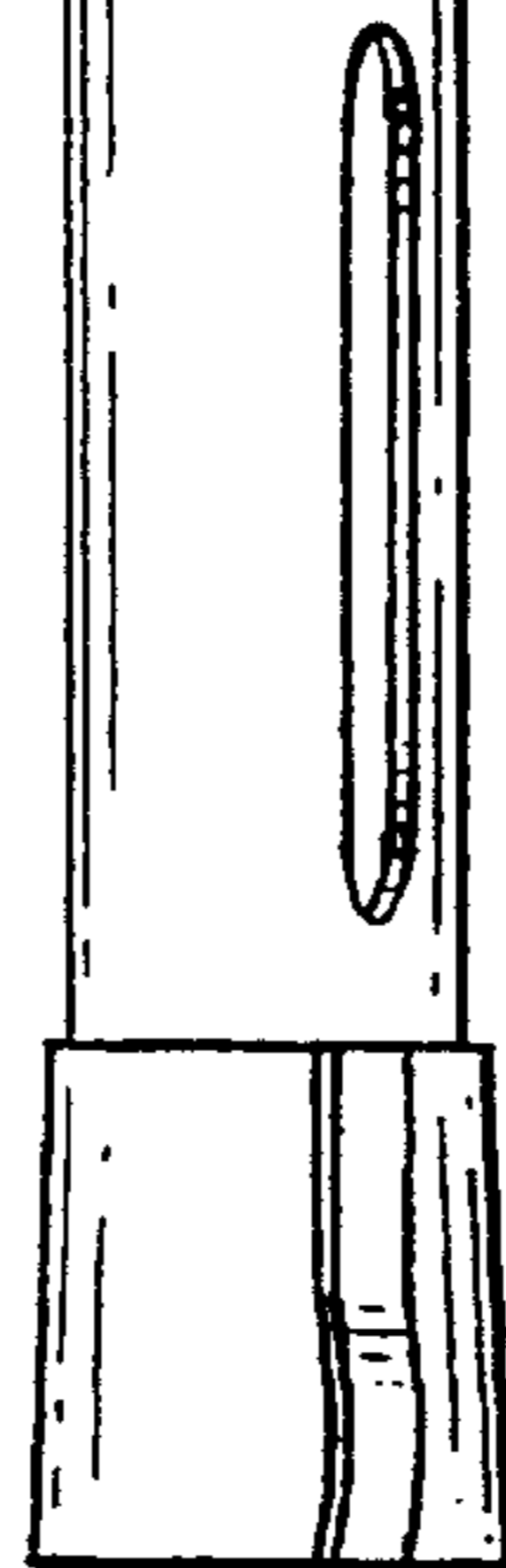
FIG_6



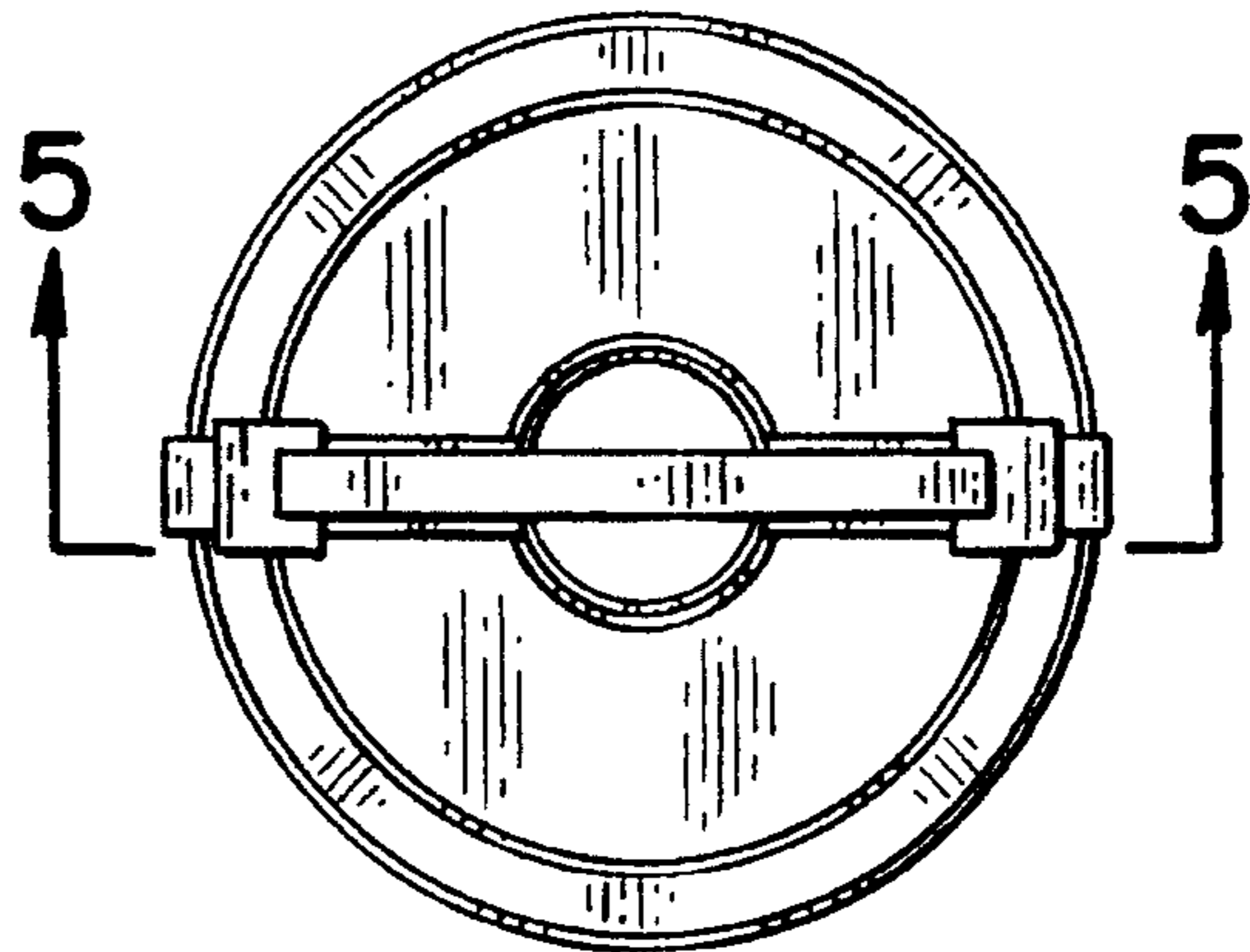
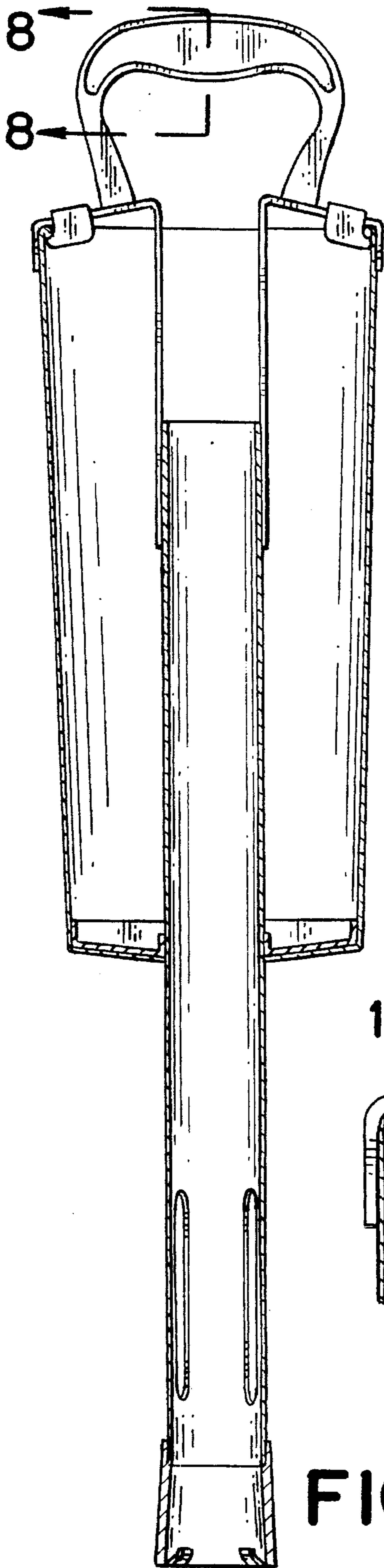
FIG_1



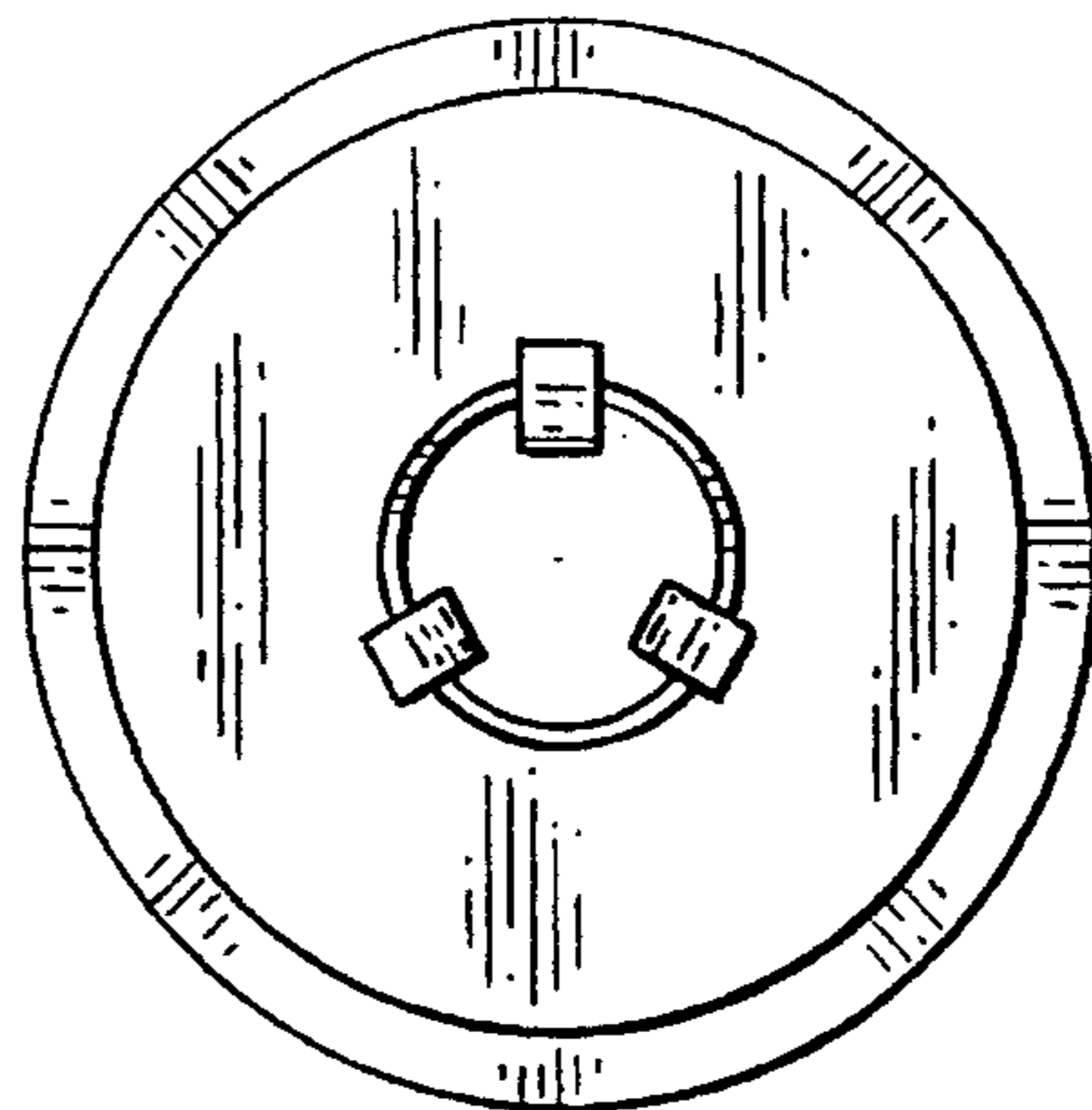
FIG_7



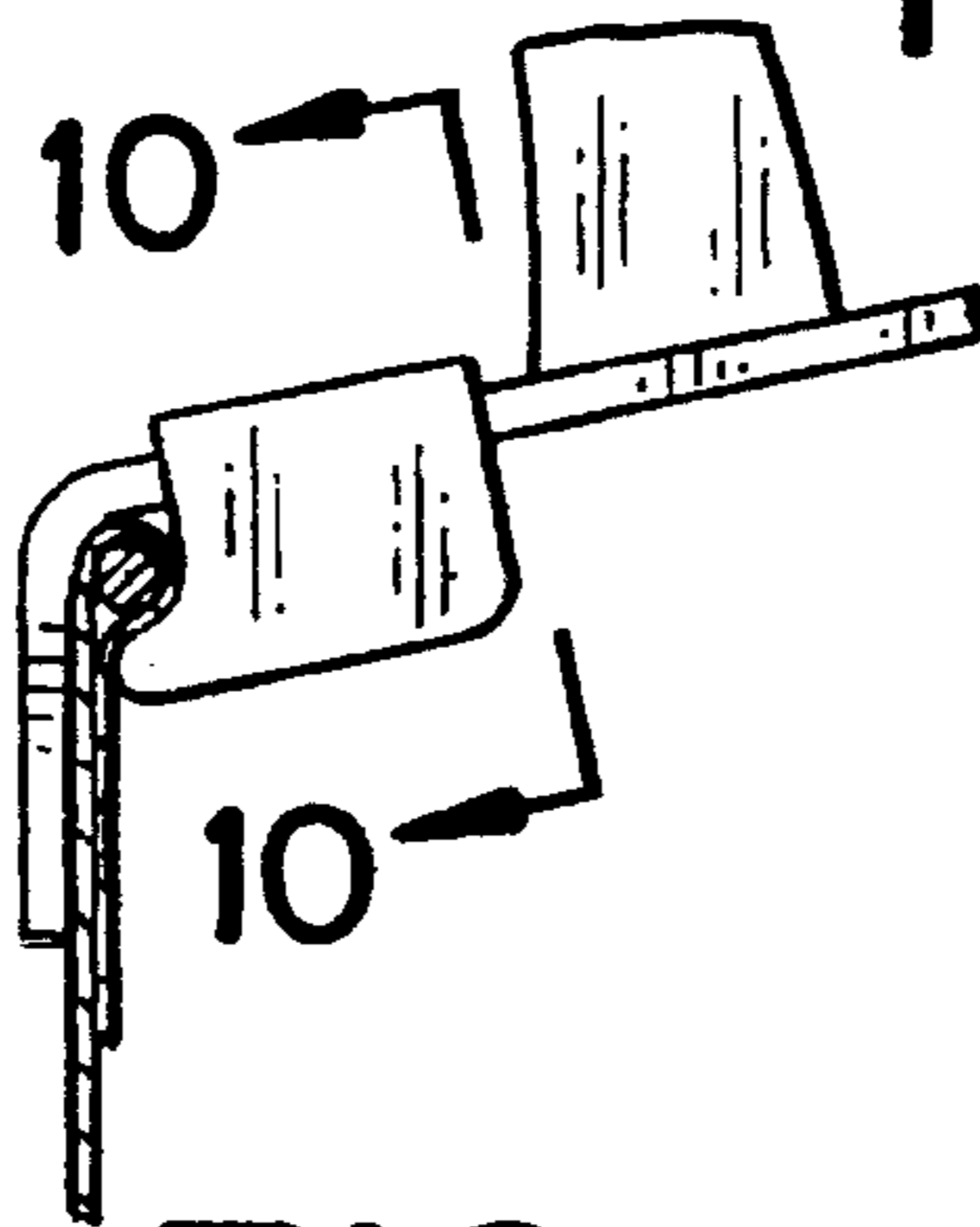
FIG_2



FIG_3



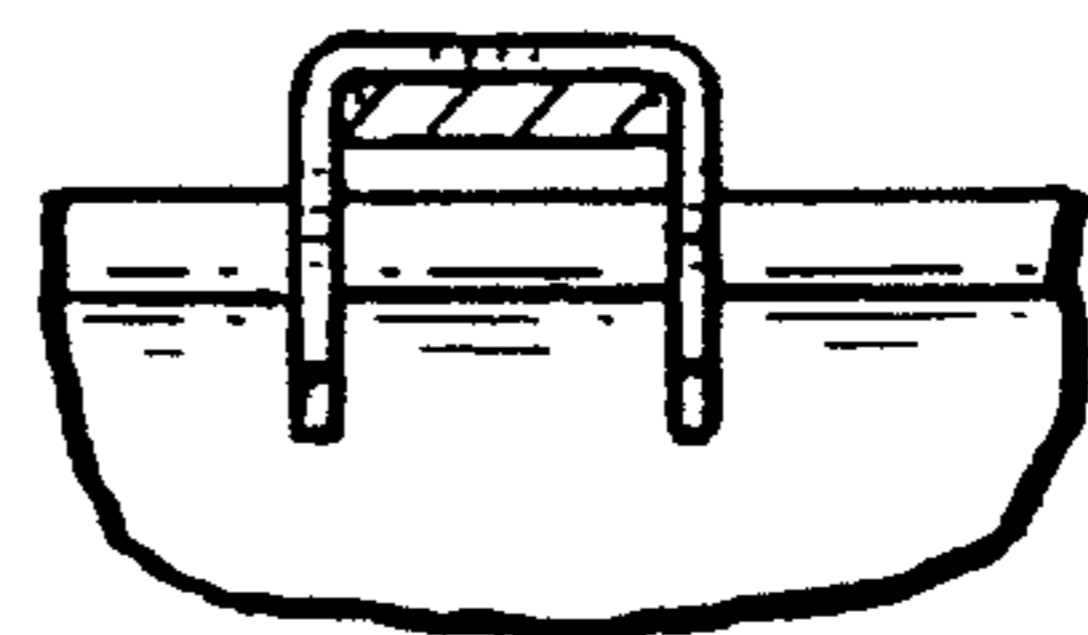
FIG_4



FIG_9



FIG_8



FIG_10

FIG_5