



US00D374696S

United States Patent [19]

Degelman

[11] **Patent Number: Des. 374,696**

[45] **Date of Patent: **Oct. 15, 1996**

[54] **EXERCISING APPARATUS**

[76] **Inventor: Robert S. Degelman, 272 Industrial Dr., Regina, Saskatchewan, Canada, S4P 3B1**

[**] **Term: 14 Years**

[21] **Appl. No.: 41,006**

[22] **Filed: Jun. 23, 1995**

[52] **U.S. Cl. D21/195**

[58] **Field of Search D21/191, 195; 482/133, 135, 137, 138, 119, 94, 100**

[56] **References Cited**

U.S. PATENT DOCUMENTS

D. 325,610	4/1992	Walker et al.	D21/195
D. 357,957	5/1995	Hung	D21/195
4,397,462	8/1983	Wilmarth	482/137
4,492,375	1/1985	Connelly	482/138

4,576,377	3/1986	Wolff	482/137
4,618,144	10/1986	Gibson	482/138
4,667,955	5/1987	Giesch	482/138
4,900,018	2/1990	Ish, III et al.	482/138
4,911,436	3/1990	Lighter	482/138
5,195,937	3/1993	Engel et al.	482/133
5,378,216	1/1995	Ish, III et al.	482/133

Primary Examiner—Philip S. Hyder

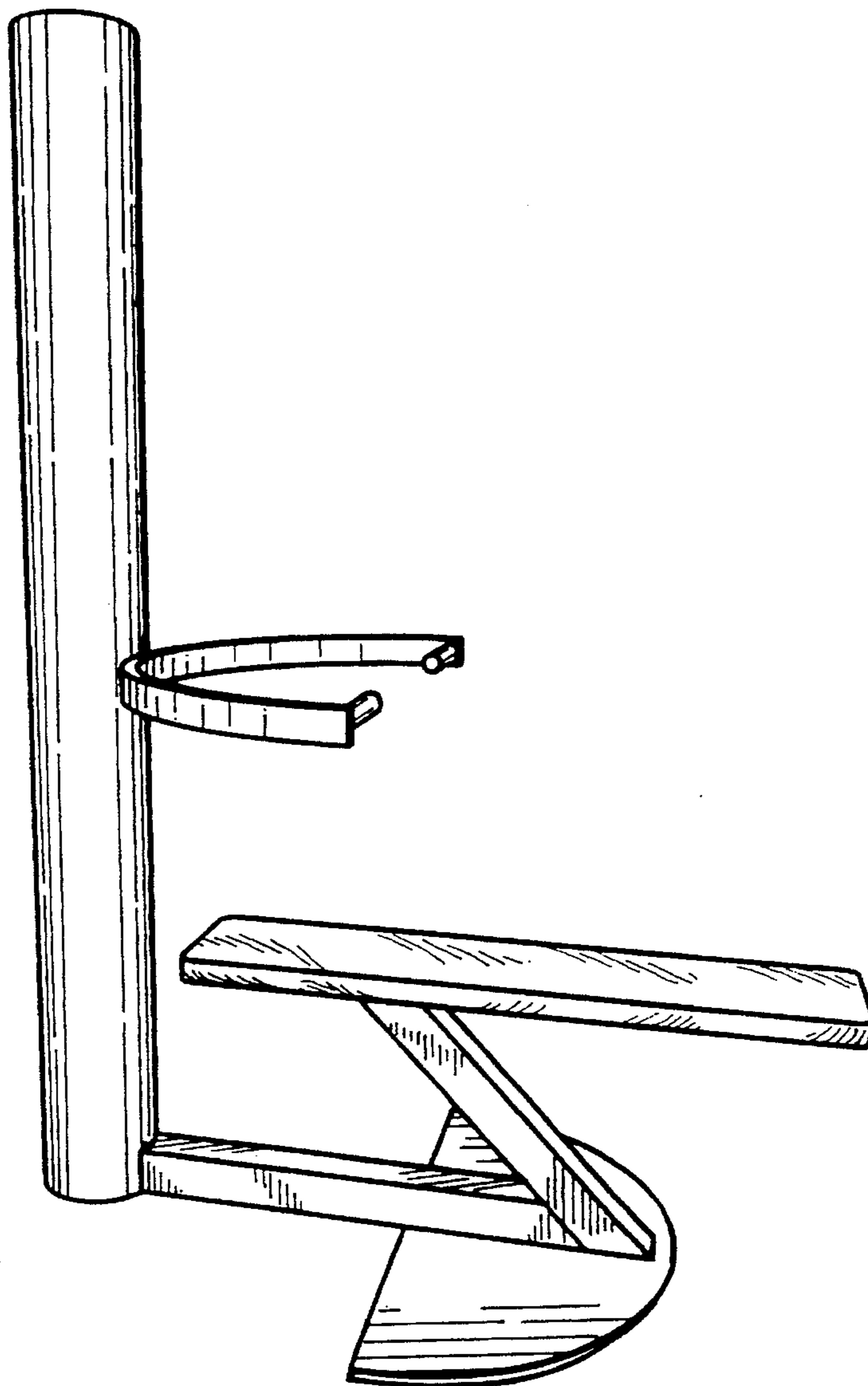
[57] **CLAIM**

The ornamental design for an exercising apparatus, as shown and described.

DESCRIPTION

FIG. 1 is a right side and front perspective view of my exercising apparatus;
FIG. 2 is a rear perspective view thereof;
FIG. 3 is a top perspective view thereof; and,
FIG. 4 is a left side elevation view thereof.

1 Claim, 2 Drawing Sheets



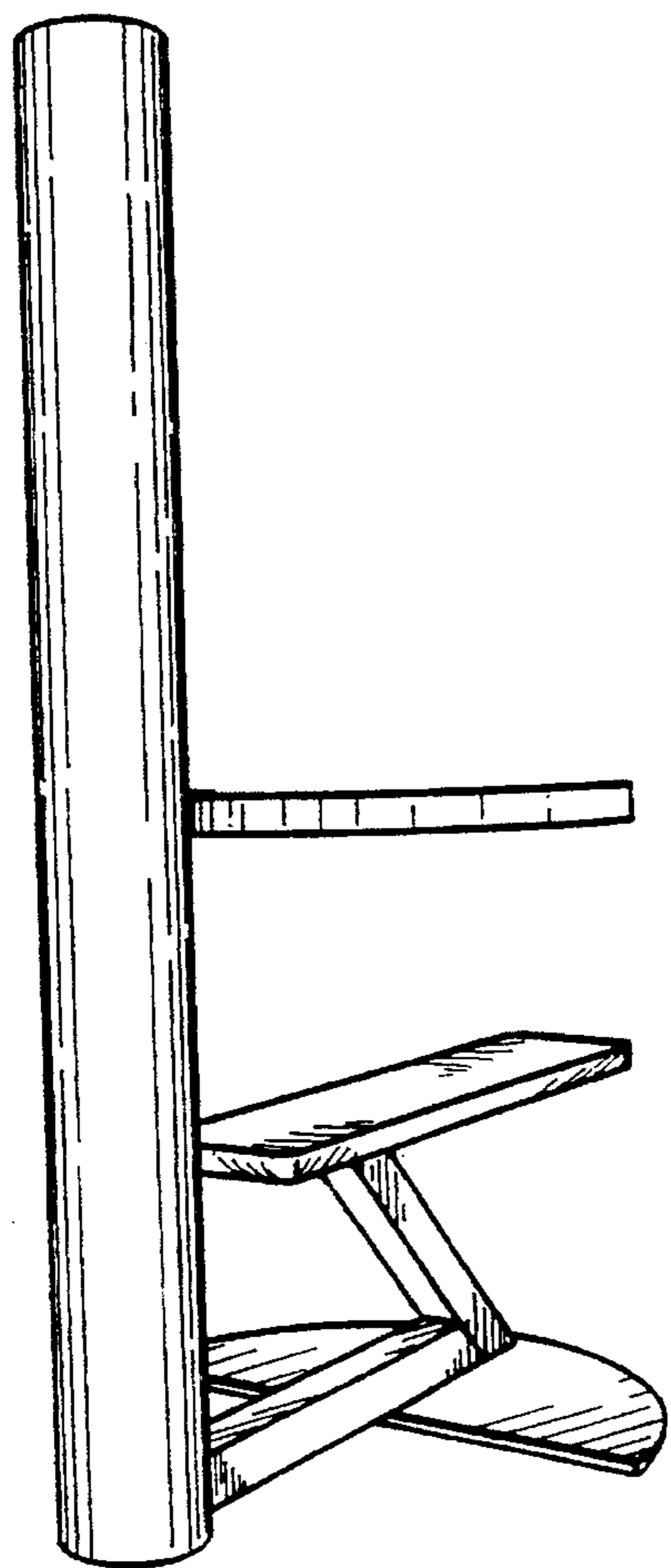


FIG. 2

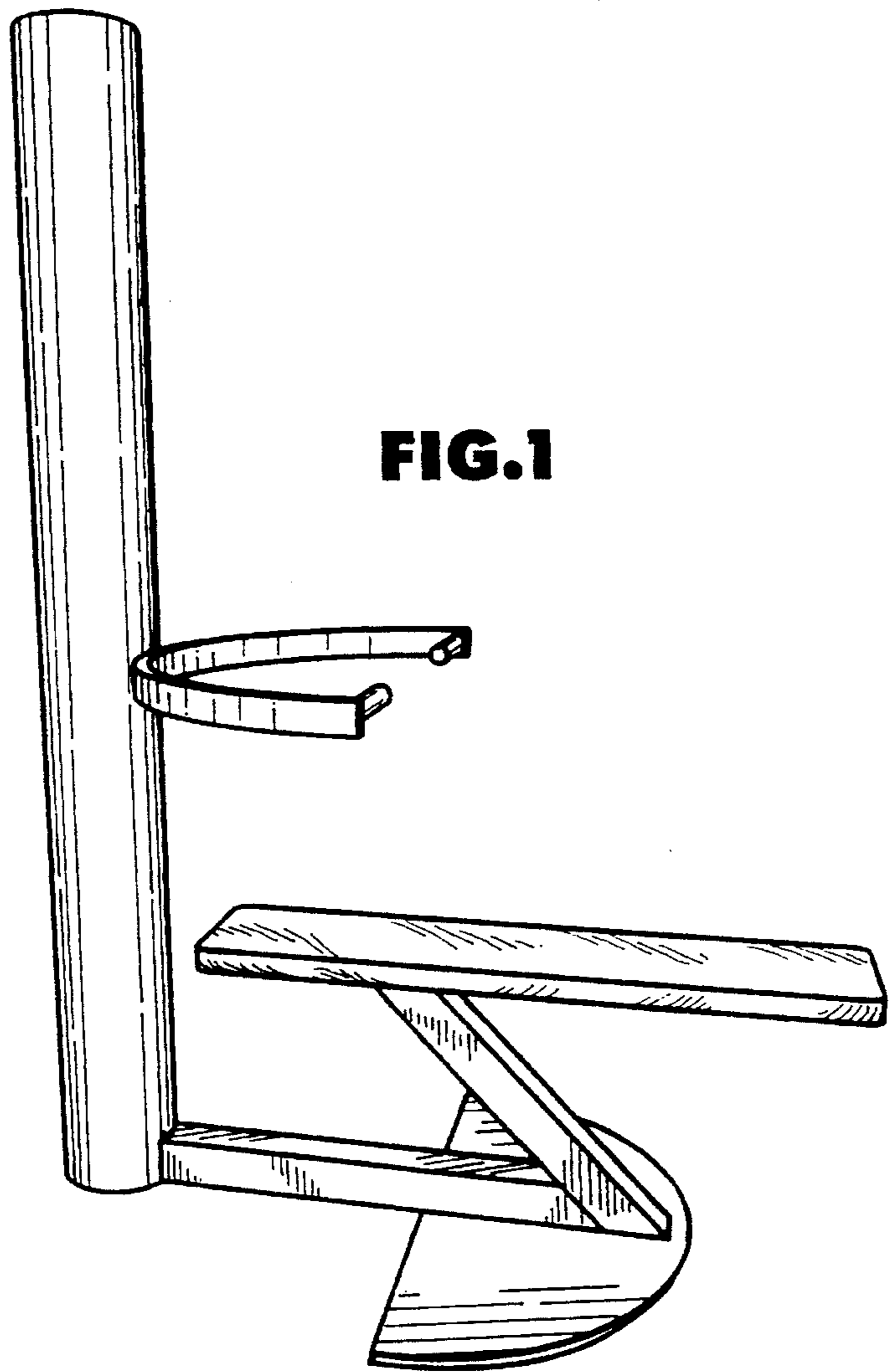


FIG. 1

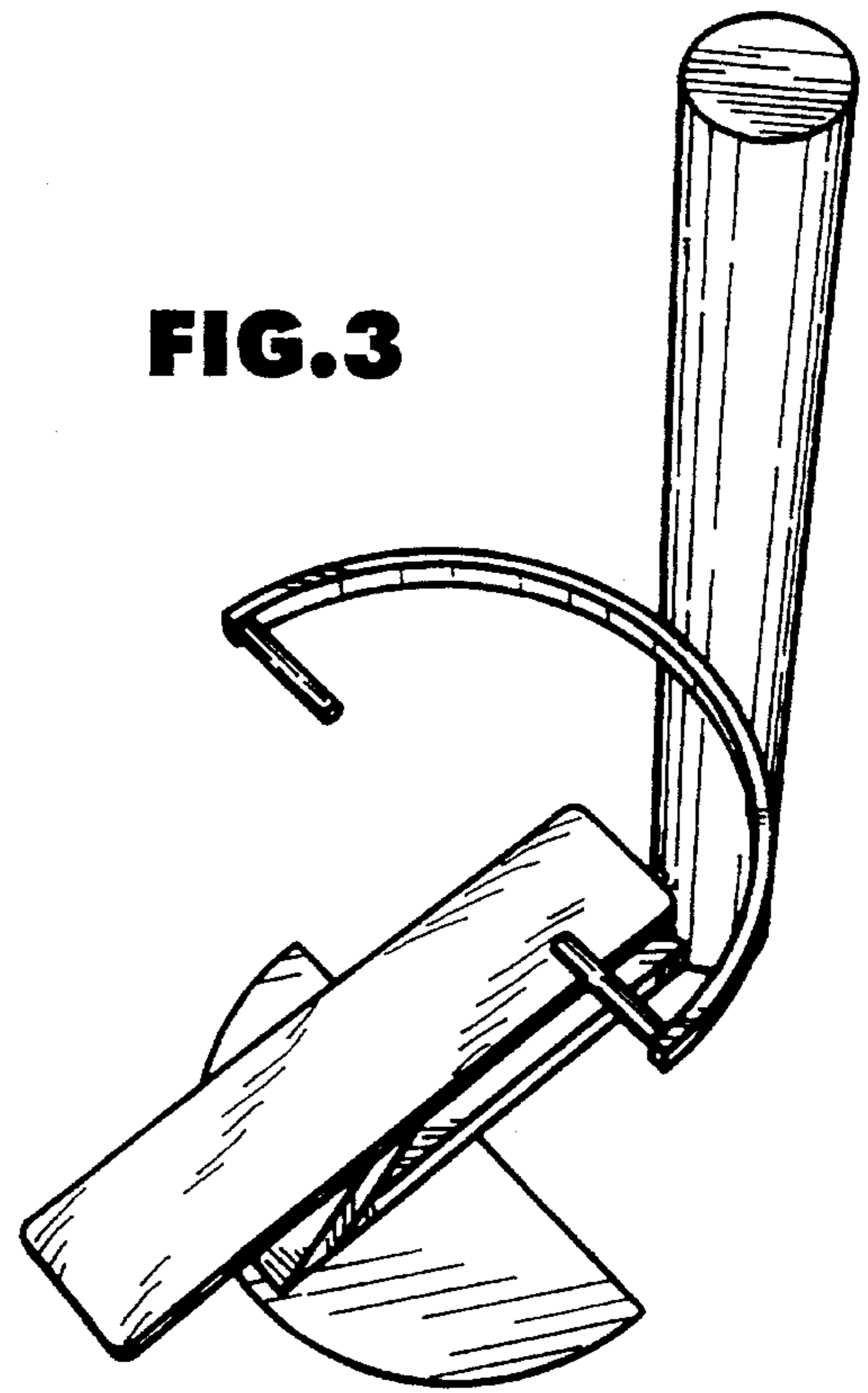


FIG. 3

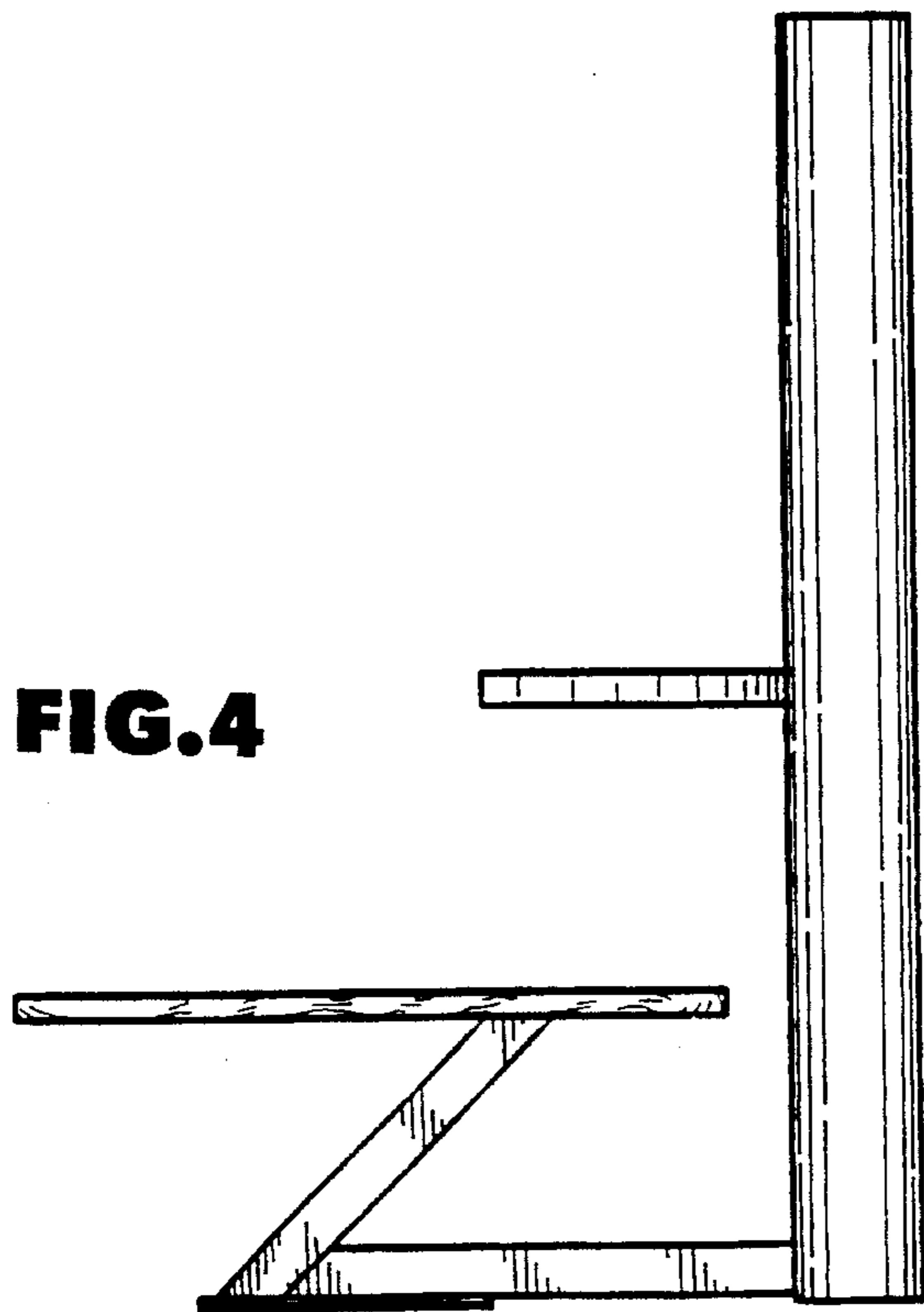


FIG. 4