



US00D374695S

United States Patent [19] Hatfield

[11] Patent Number: **Des. 374,695**

[45] Date of Patent: ****Oct. 15, 1996**

[54] **EXERCISE CHAIR**

[76] Inventor: **Steven L. Hatfield**, 1630 A 30th St.,
Box 496, Boulder, Colo. 80301

[**] Term: **14 Years**

[21] Appl. No.: **41,798**

[22] Filed: **Jul. 25, 1995**

D. 315,643	3/1991	Guy	D6/348
D. 326,958	6/1992	Royle et al.	D6/348
4,109,960	8/1978	Stinchfield	D6/348
4,367,870	1/1983	Birch	482/142
4,902,003	2/1990	Buoni	482/140

Primary Examiner—Philip S. Hyder
Attorney, Agent, or Firm—Woodard, Emhardt, Naughton
Moriarty & McNett

Related U.S. Application Data

[62] Division of Ser. No. 11,630, Aug. 10, 1993, Pat. No. Des.
360,665.

[52] U.S. Cl. **D21/191; D6/348**

[58] Field of Search D21/191, 66; D6/334,
D6/333, 335, 348; 482/140, 141, 142

[57] CLAIM

The ornamental design for an exercise chair, as shown and described.

DESCRIPTION

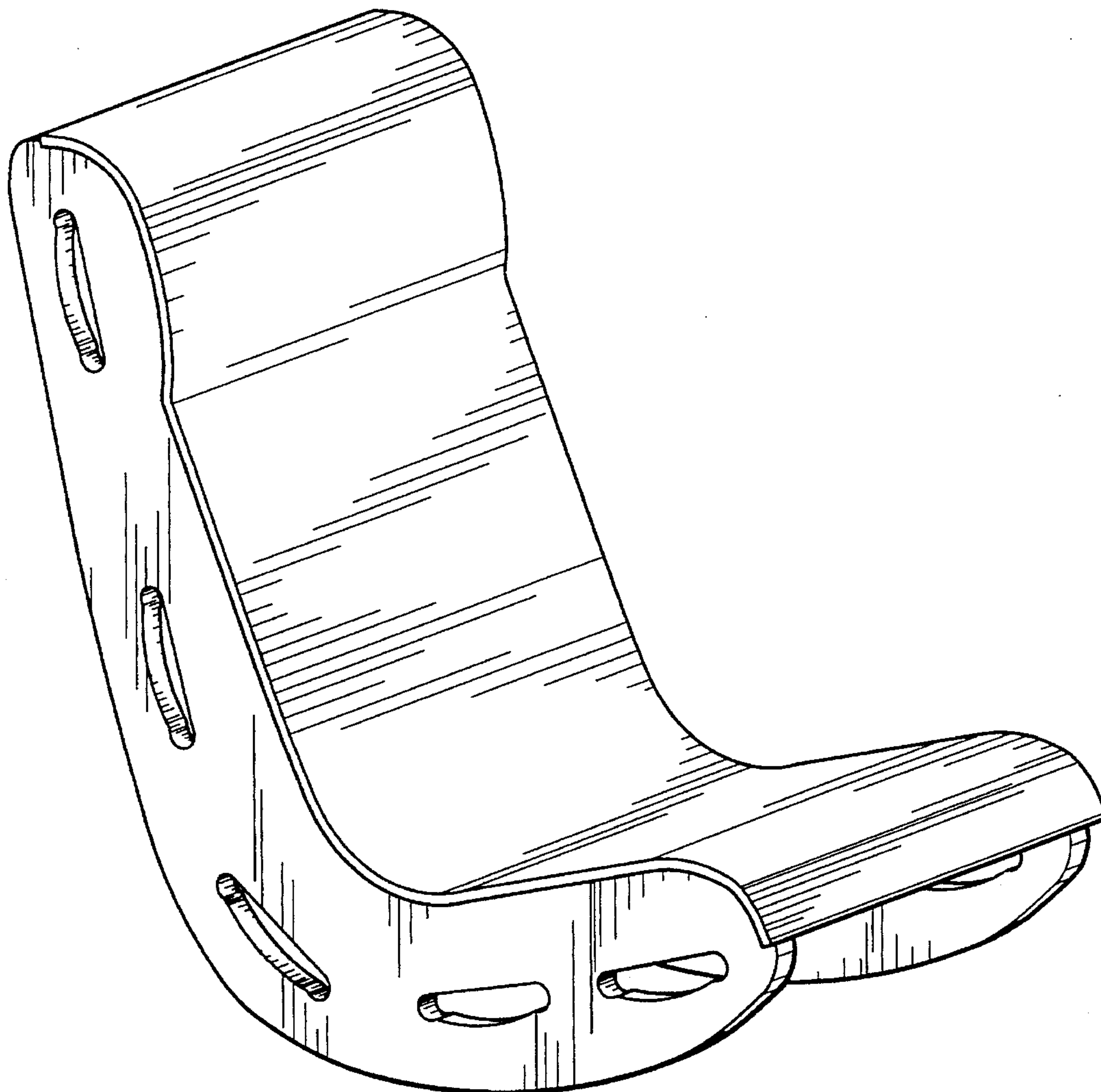
FIG. 1 is a perspective view of an exercise chair, showing my new design;
FIG. 2 is a left side elevational view thereof;
FIG. 3 is a right side elevational view thereof;
FIG. 4 is a front elevational view thereof;
FIG. 5 is a rear elevational view thereof;
FIG. 6 is a top plan view thereof; and,
FIG. 7 is a bottom plan view thereof.

[56] References Cited

U.S. PATENT DOCUMENTS

D. 214,835	8/1969	Lockwood	D6/348
D. 264,360	5/1982	Orenstein	D21/66
D. 270,499	9/1983	Harper, Jr. et al.	D6/348
D. 286,802	11/1986	Ahlberg	D21/191

1 Claim, 5 Drawing Sheets



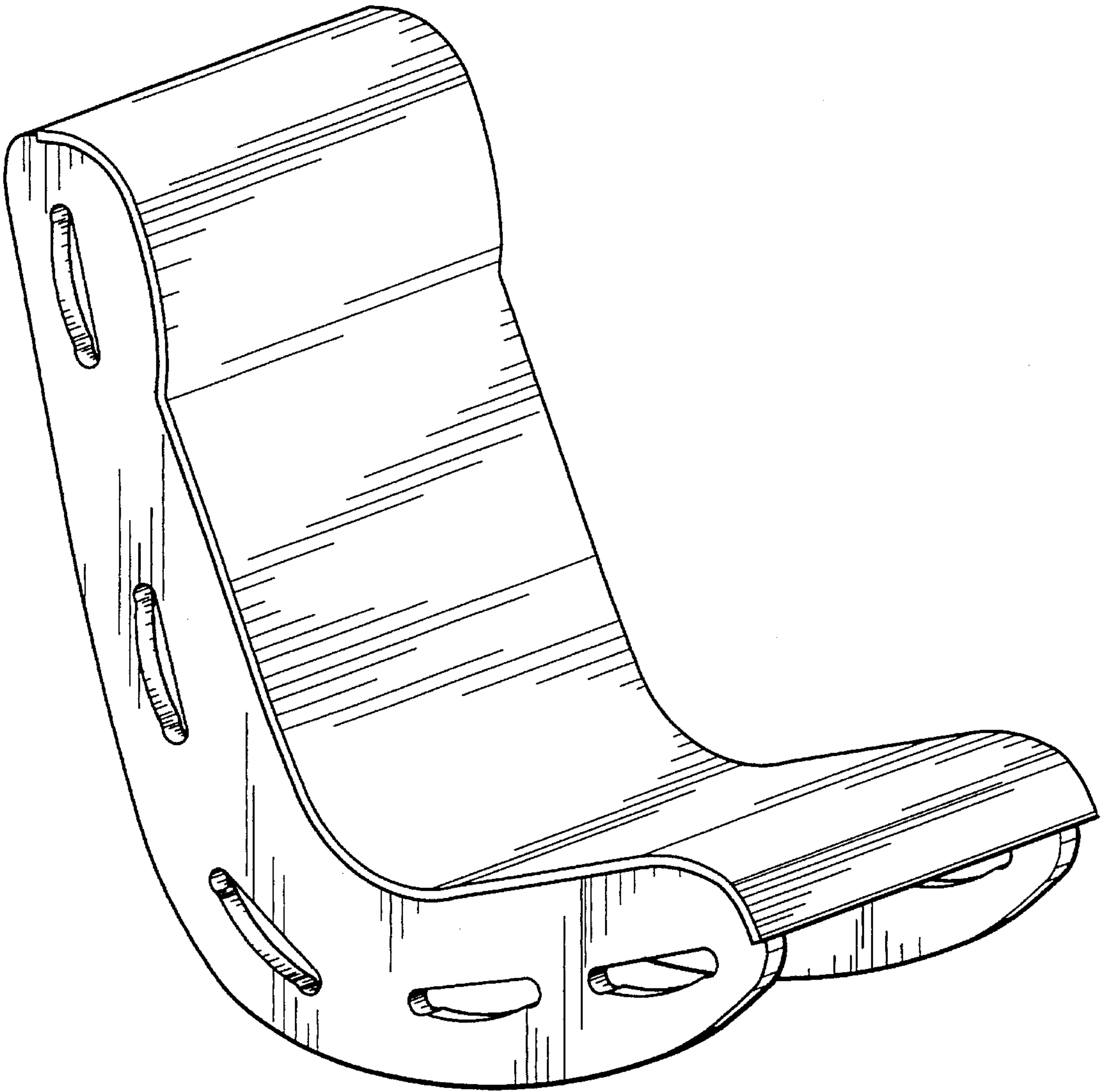


Fig. 1

Fig. 2

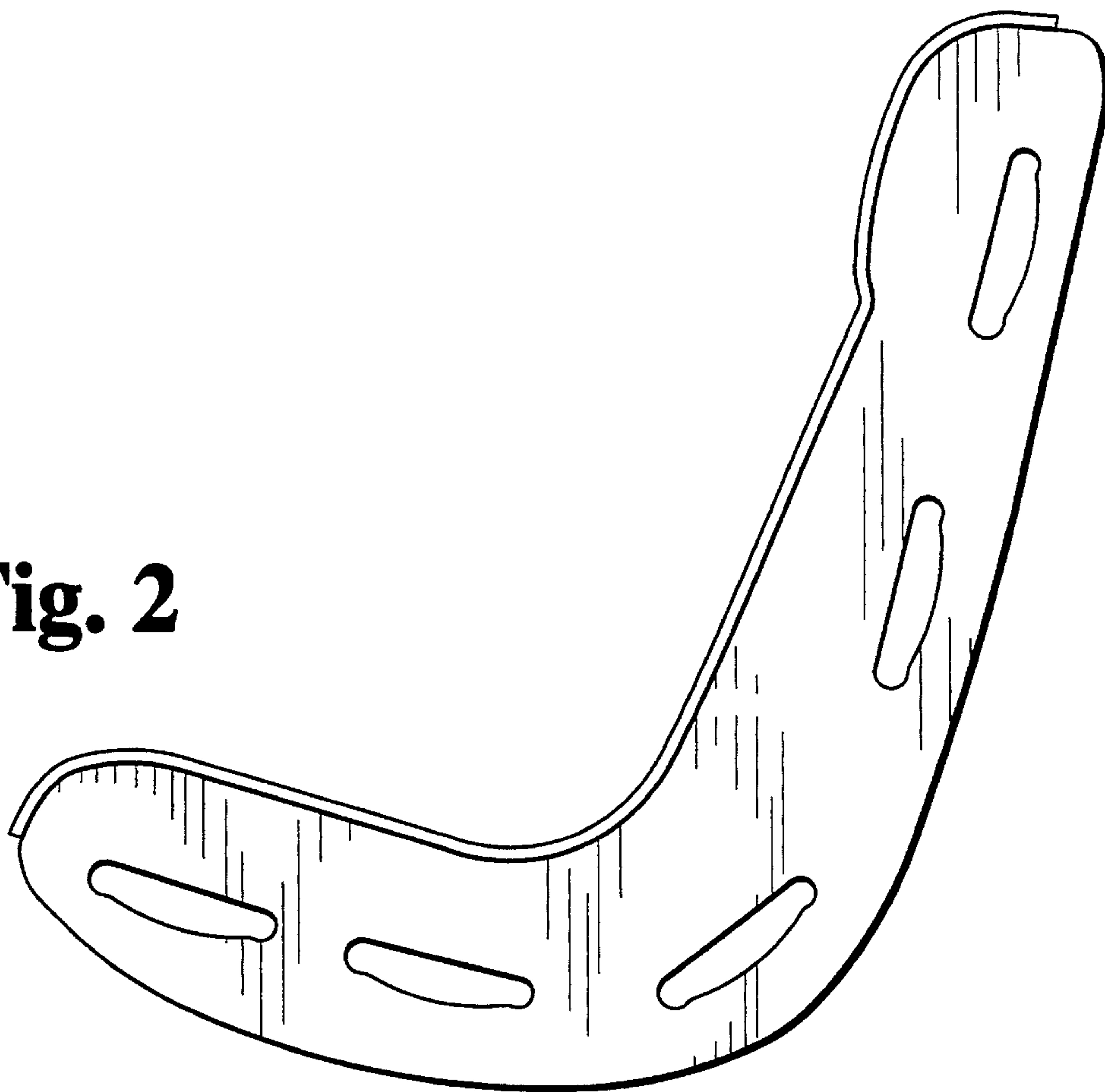
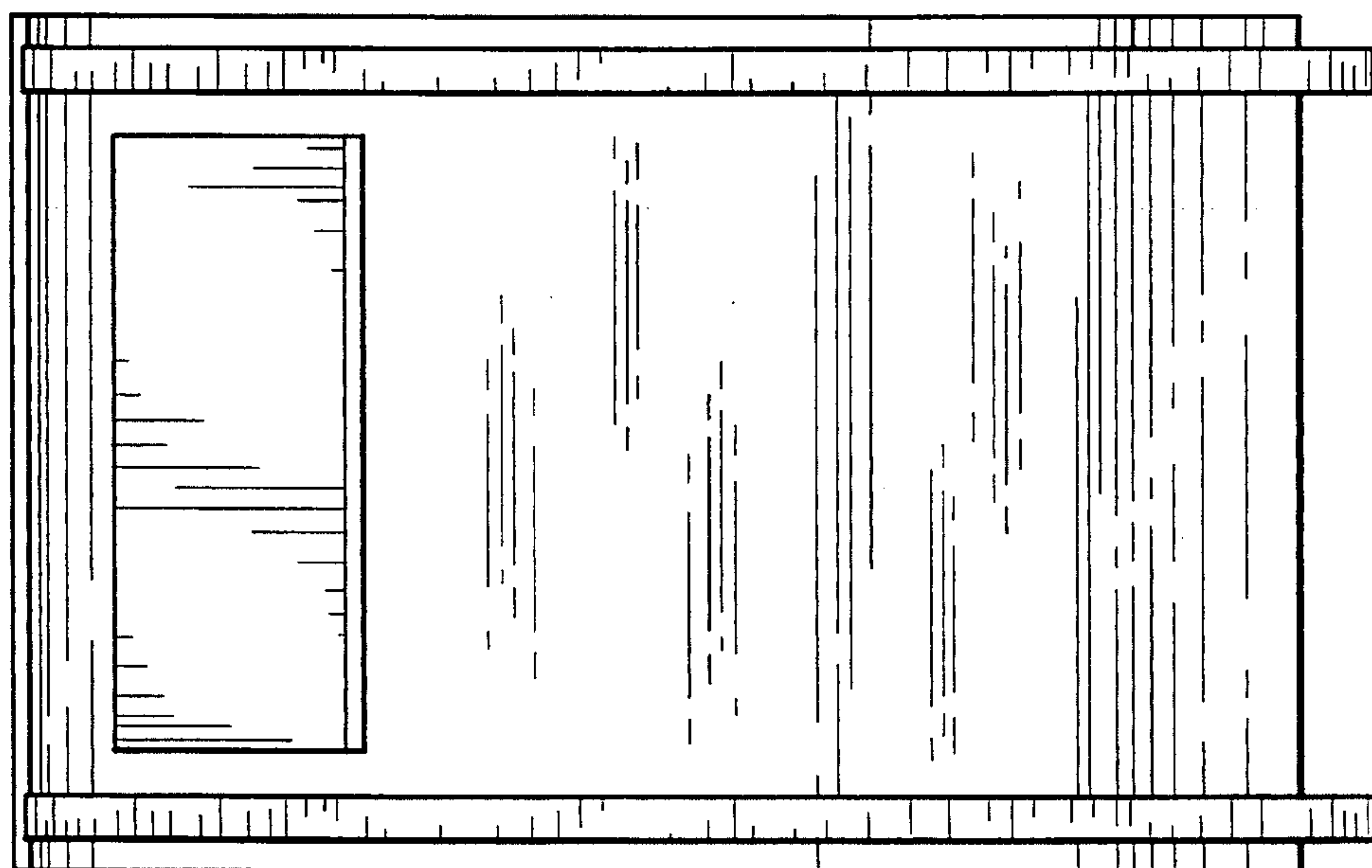


Fig. 7



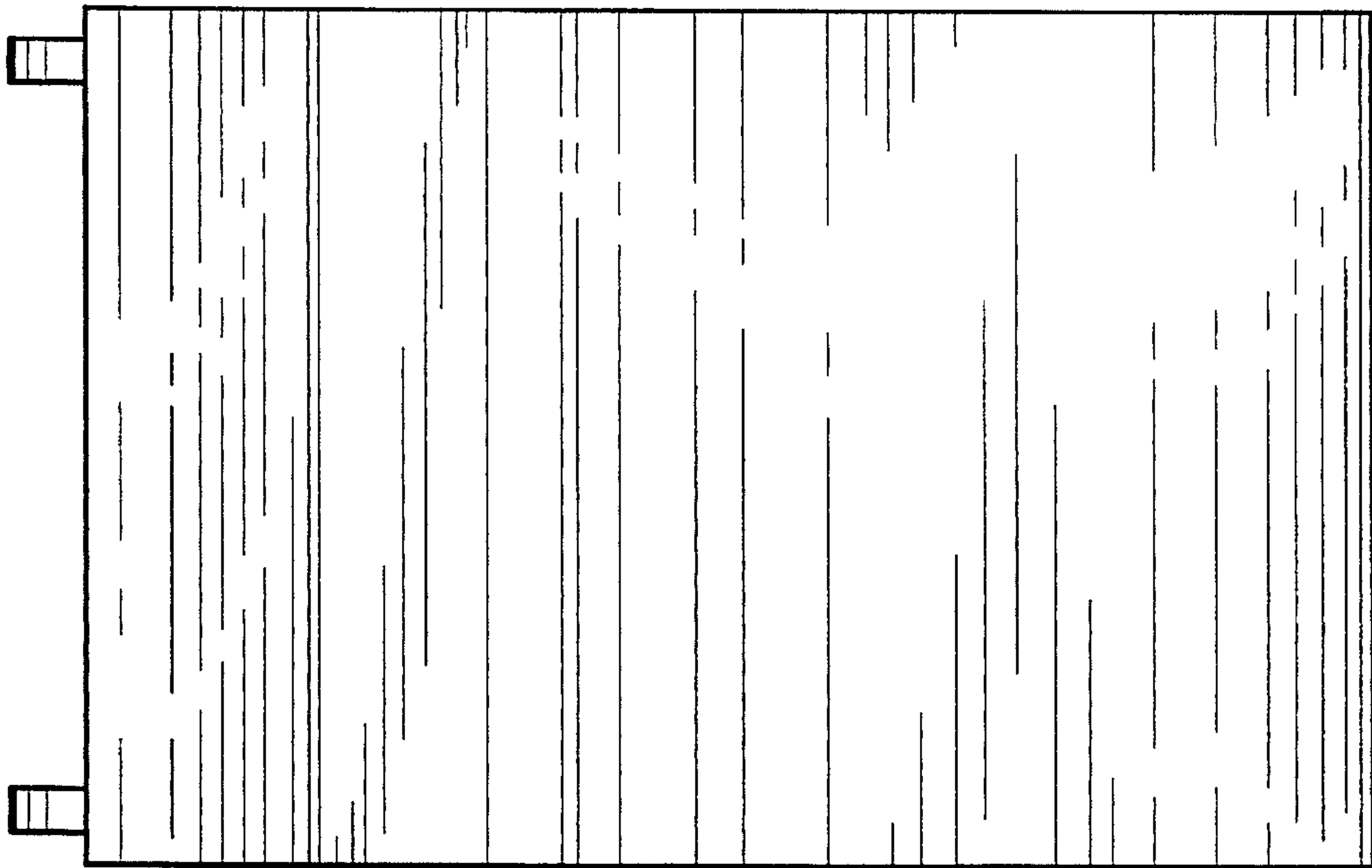


Fig. 6

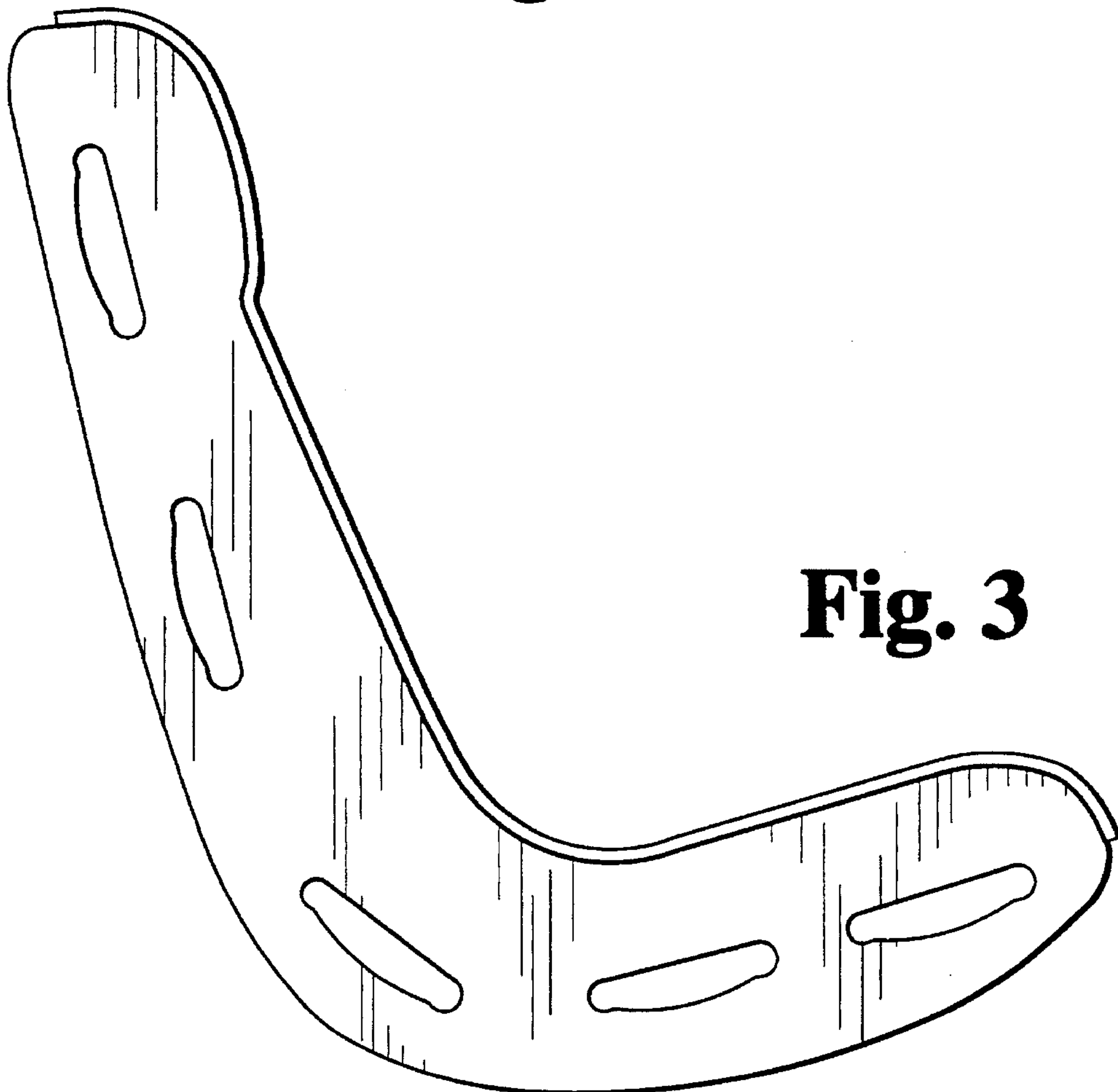


Fig. 3

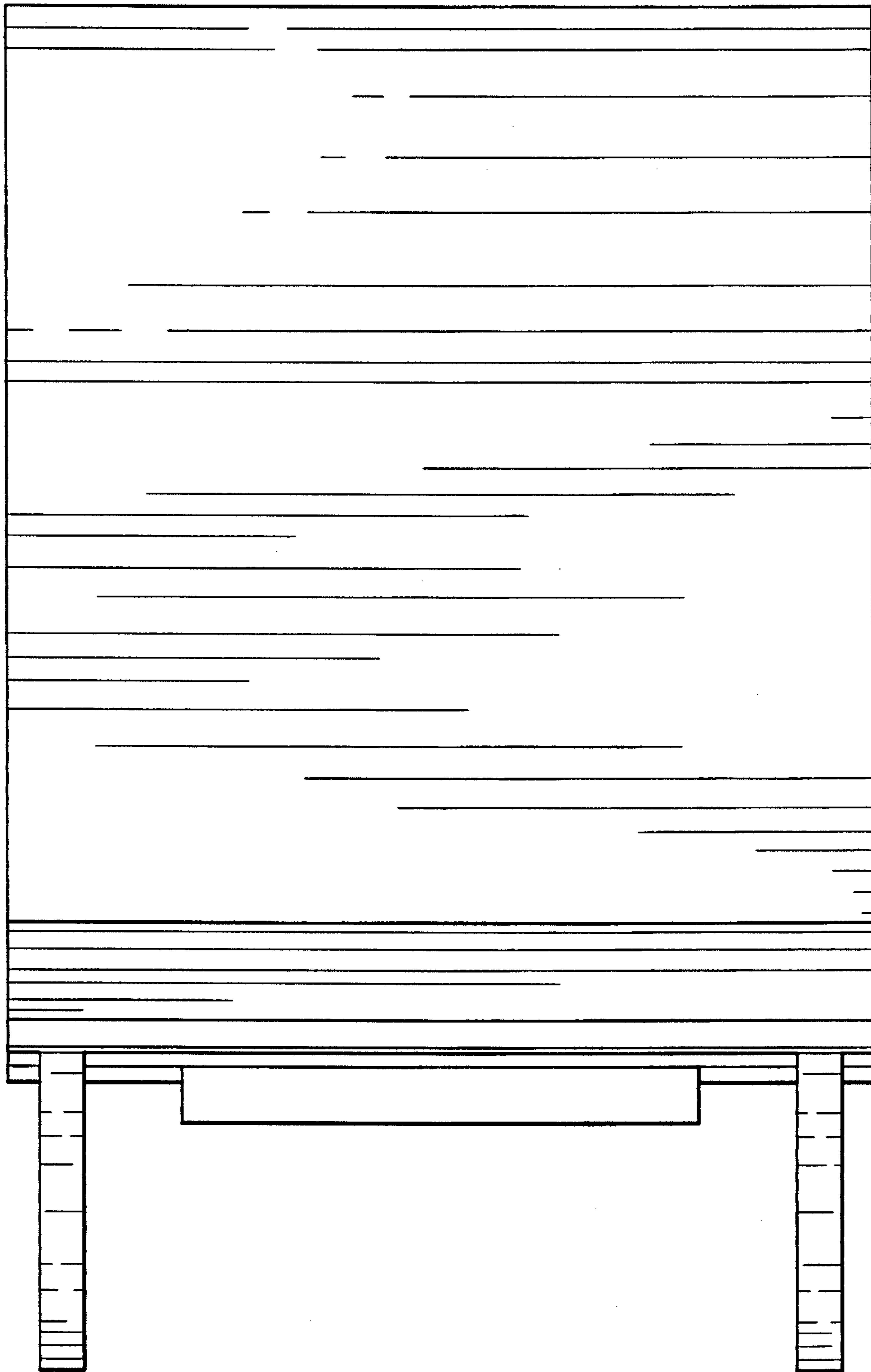


Fig. 4

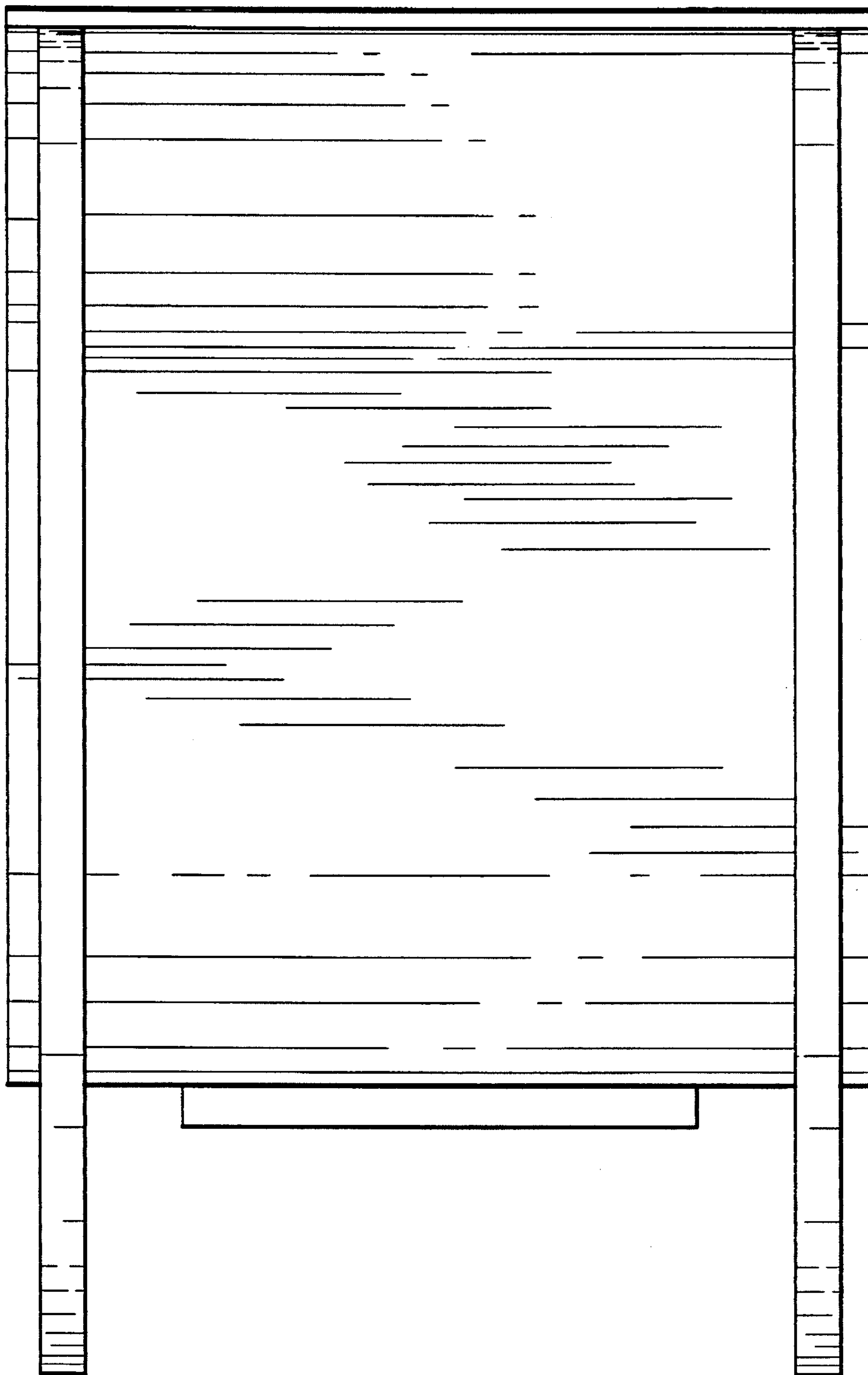


Fig. 5