



US00D374694S

United States Patent [19]

[11] Patent Number: **Des. 374,694**

Arai

[45] Date of Patent: ****Oct. 15, 1996**

[54] **RADIO REMOTE CONTROL UNIT**

4,882,942 11/1989 Hamilton 446/456

[75] Inventor: **Masahiro Arai, Mobara, Japan**

OTHER PUBLICATIONS

[73] Assignee: **Futaba Denshi Kogyo K.K., Mobara, Japan**

R. C. Modeler, Jan. 1990 p. 253, Unit "9VH" lower right side of page.

R. C. Modeler, Jan. 1990, p. 175 unit on upper left of page.

[**] Term: **14 Years**

Primary Examiner—Raphael Barkai

Attorney, Agent, or Firm—Oblon, Spivak, McClelland, Maier & Neustadt, P.C.

[21] Appl. No.: **37,123**

[22] Filed: **Apr. 4, 1995**

[57] CLAIM

[30] Foreign Application Priority Data

Oct. 5, 1994 [JP] Japan 6-030101

The ornamental design for a radio remote control unit, as shown.

[52] U.S. Cl. **D21/141.1; 446/456**

DESCRIPTION

[58] Field of Search D21/111-113, D21/141.1, 142; D14/155, 156, 218, 143, 299, 201, 188, 192, 191; D13/168; D10/104, 106; 446/454-456, 141-143, 297, 404, 479; 273/86 B

FIG. 1 is a perspective view of a radio remote control unit embodying my new design;

FIG. 2 is a front elevational view thereof;

FIG. 3 is a rear elevational view thereof;

FIG. 4 is a top plan view thereof;

FIG. 5 is a bottom plan view thereof;

FIG. 6 is a right side elevational view thereof; and,

FIG. 7 is a left side elevational view thereof.

[56] References Cited

U.S. PATENT DOCUMENTS

D. 342,297 12/1993 Kouno D21/141.1

D. 344,553 2/1994 Arai D21/141.1

1 Claim, 5 Drawing Sheets

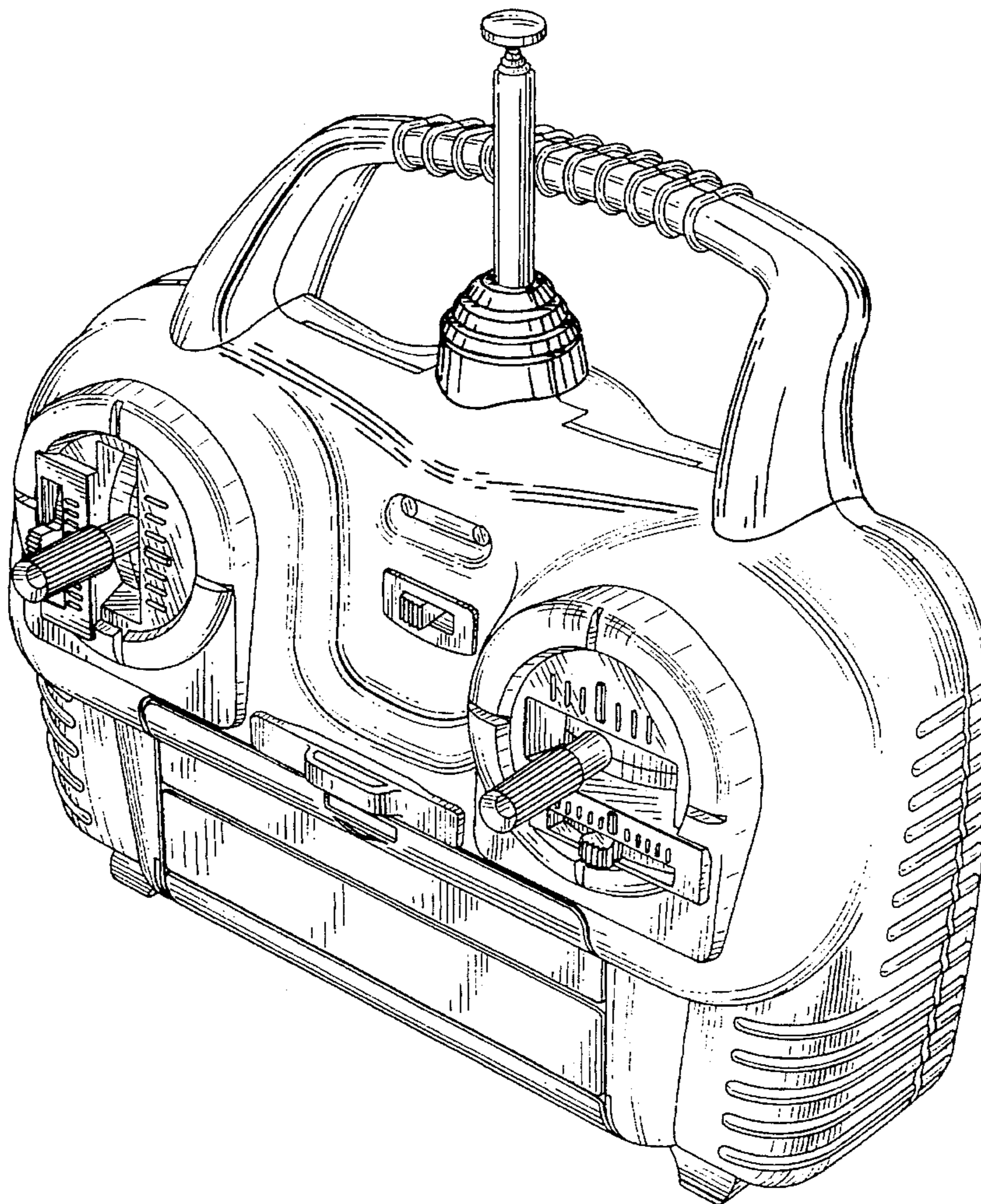


FIG. 1

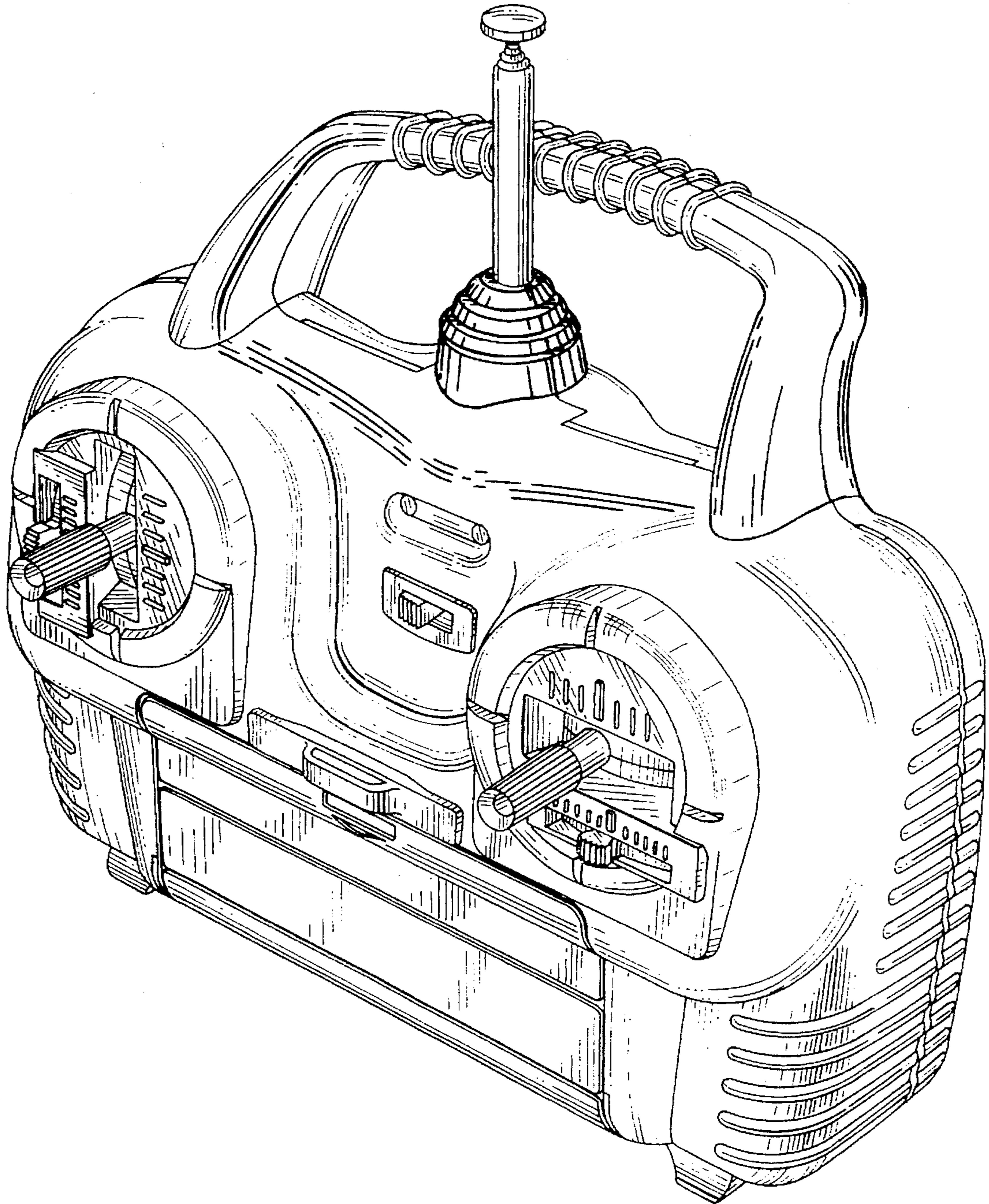


FIG.2

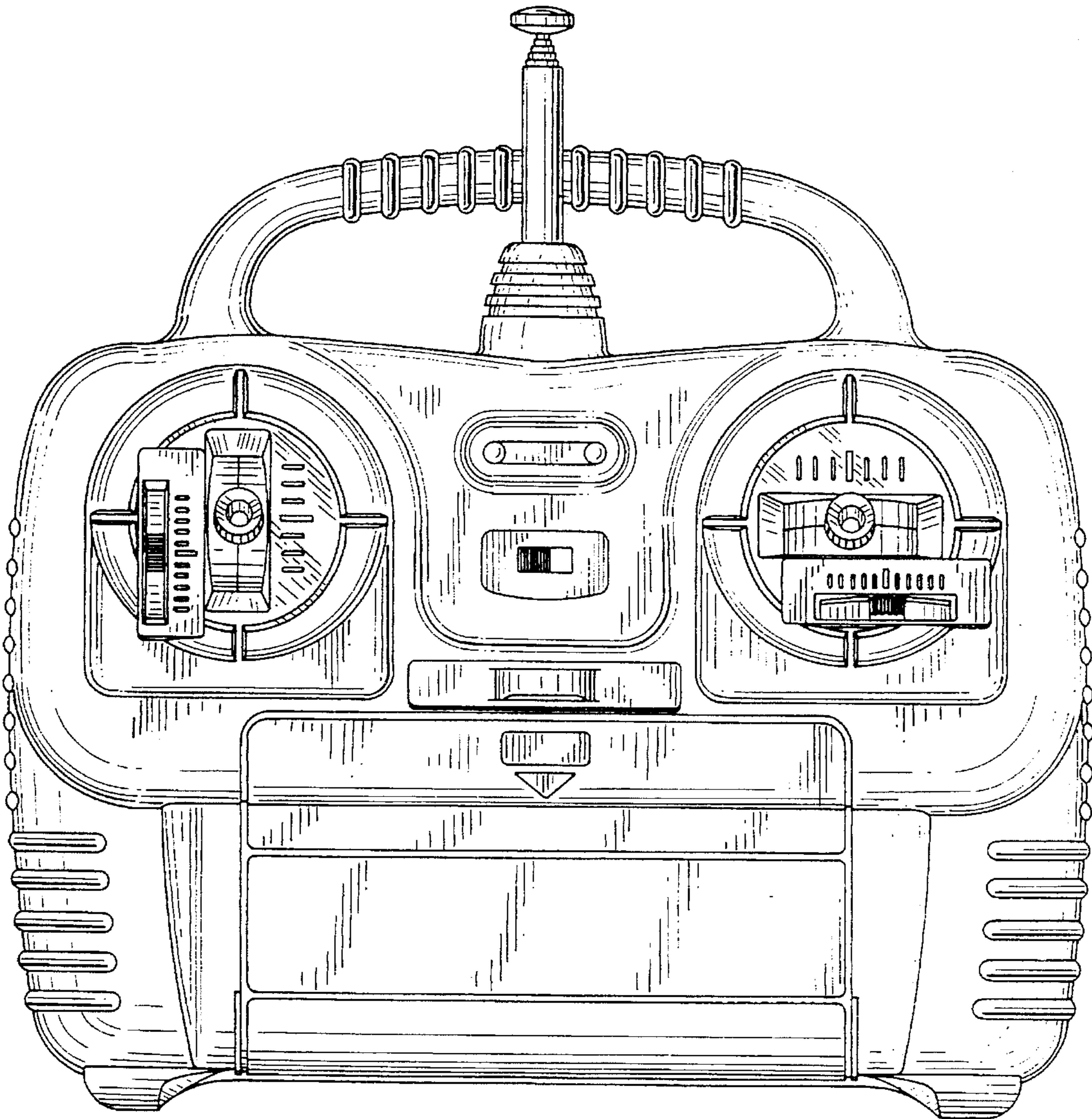


FIG. 3



FIG. 4

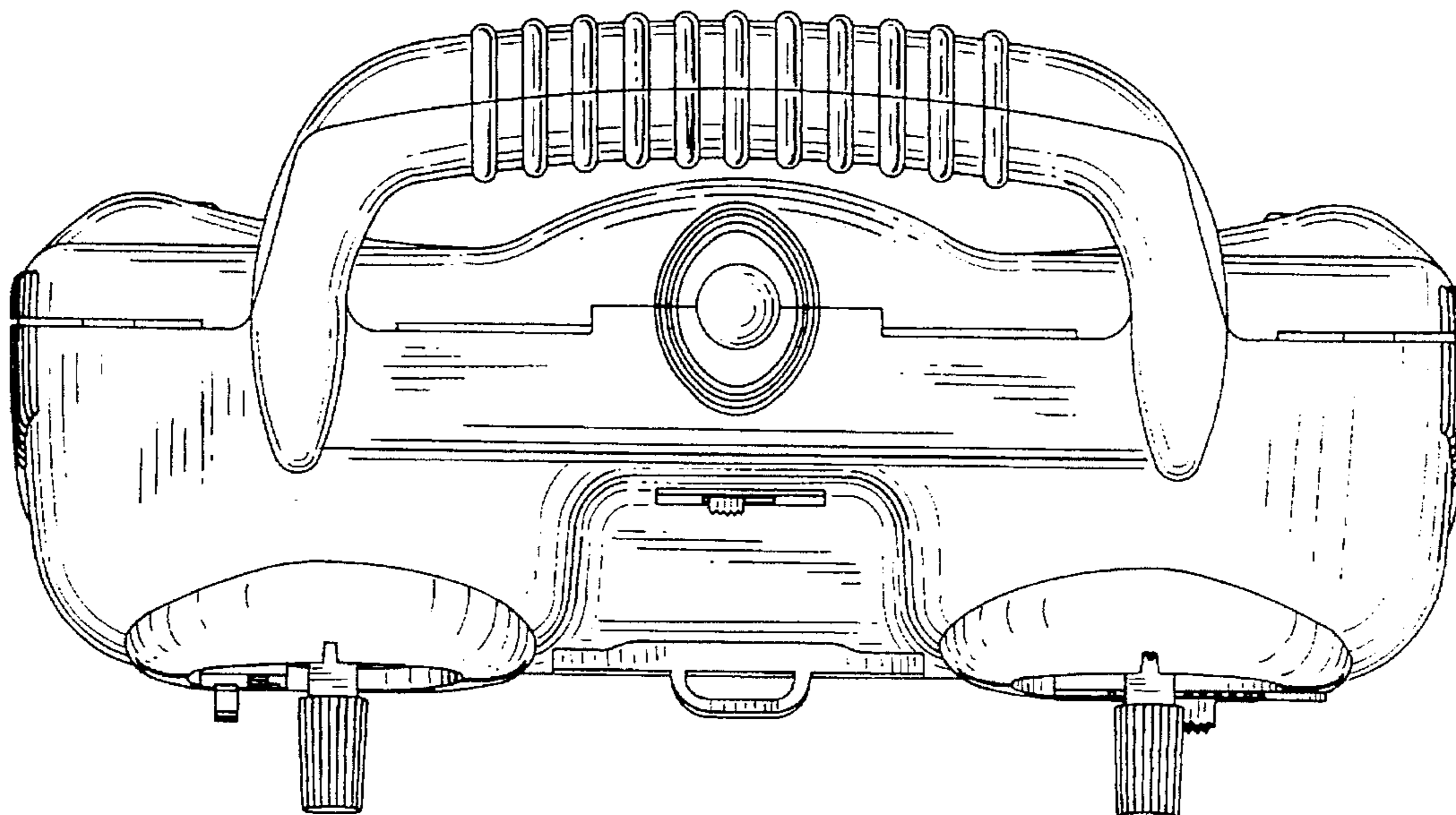


FIG. 5

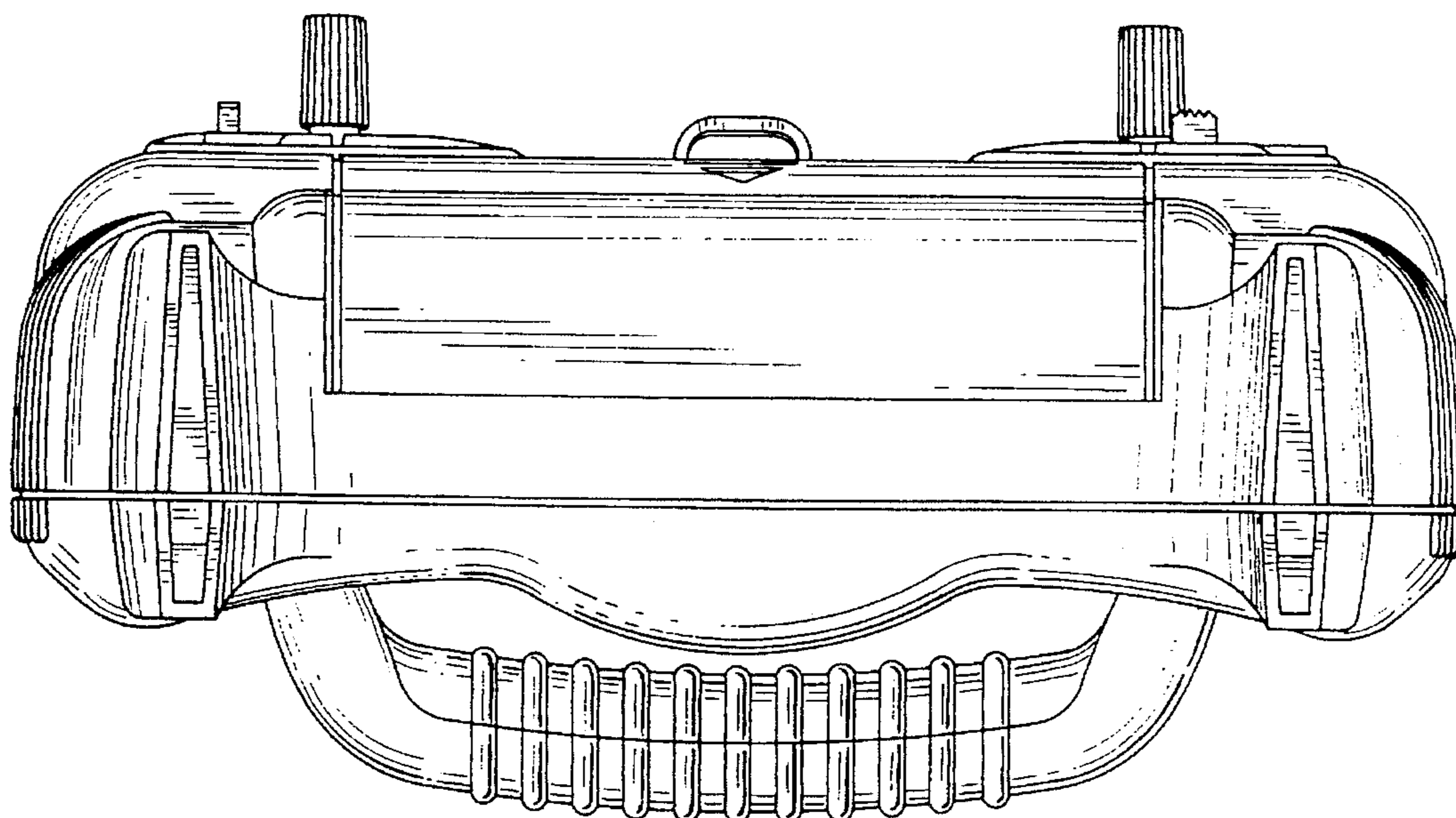


FIG.7

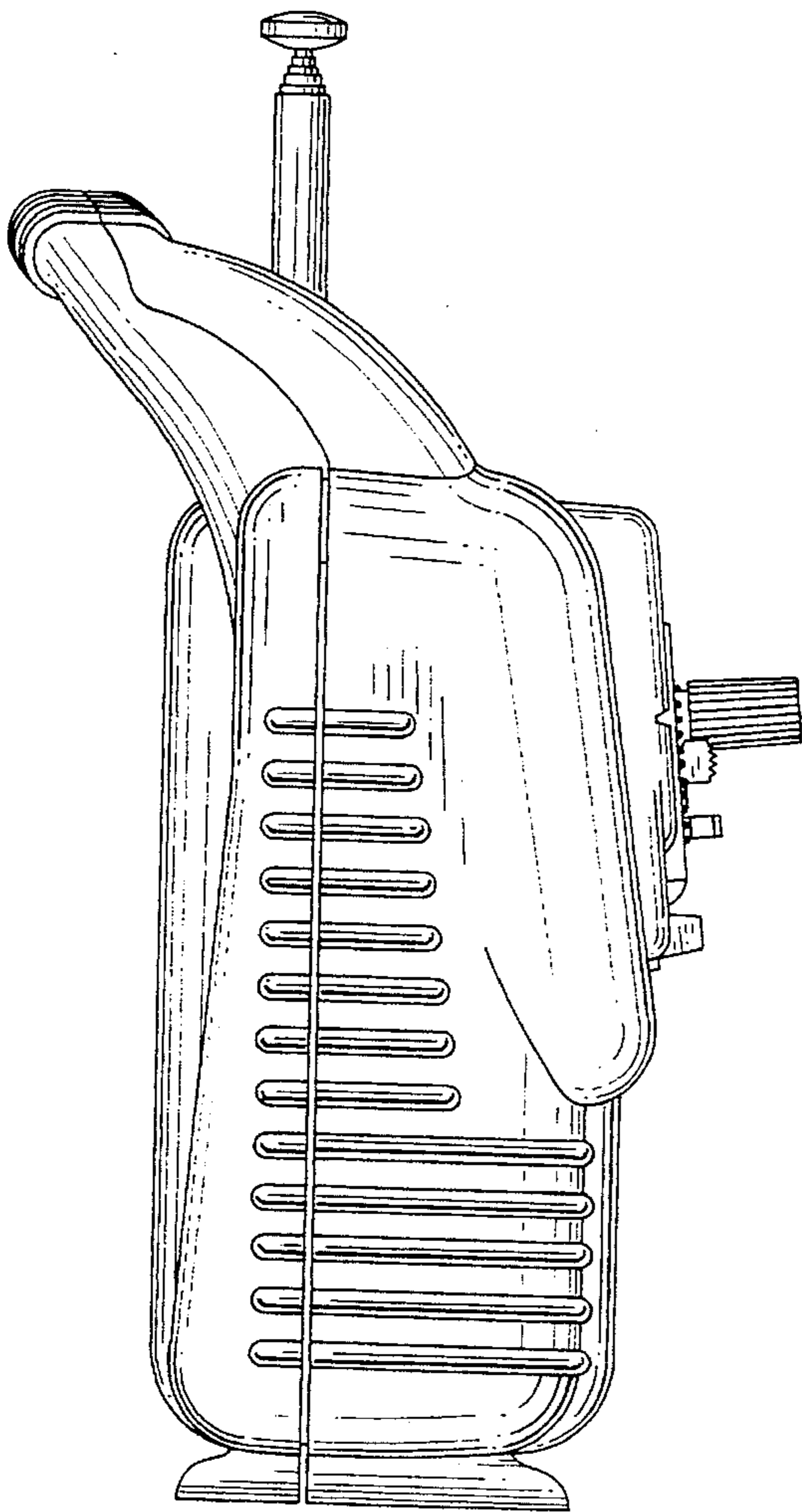


FIG.6

