



US00D374693S

# United States Patent [19] Osborne

[11] Patent Number: **Des. 374,693**  
[45] Date of Patent: **\*\*Oct. 15, 1996**

[54] **TOY REMOTE CONTROL**  
[75] Inventor: **James J. Osborne**, Wyndmoor, Pa.  
[73] Assignee: **Tradewinds Enterprises, Inc.**,  
Wyndmoor, Pa.  
[\*\*] Term: **14 Years**  
[21] Appl. No.: **46,174**  
[22] Filed: **Nov. 8, 1995**  
[52] U.S. Cl. .... **D21/111; D21/141.1**  
[58] Field of Search ..... **D21/111, 112,**  
**D21/113, 141.1, 142; D14/155, 156, 218,**  
**143, 299, 201, 188, 192, 191; D13/168;**  
**D10/104, 106; 446/454, 455, 456, 141-143,**  
**297, 404, 479; 273/86 B**

4,828,525 5/1989 Okano ..... 446/455  
4,973,285 11/1990 Diotte ..... 446/142

*Primary Examiner*—Raphael Barkai  
*Attorney, Agent, or Firm*—Grimes & Battersby

### [57] CLAIM

The ornamental design for a toy remote control, as shown and described.

### DESCRIPTION

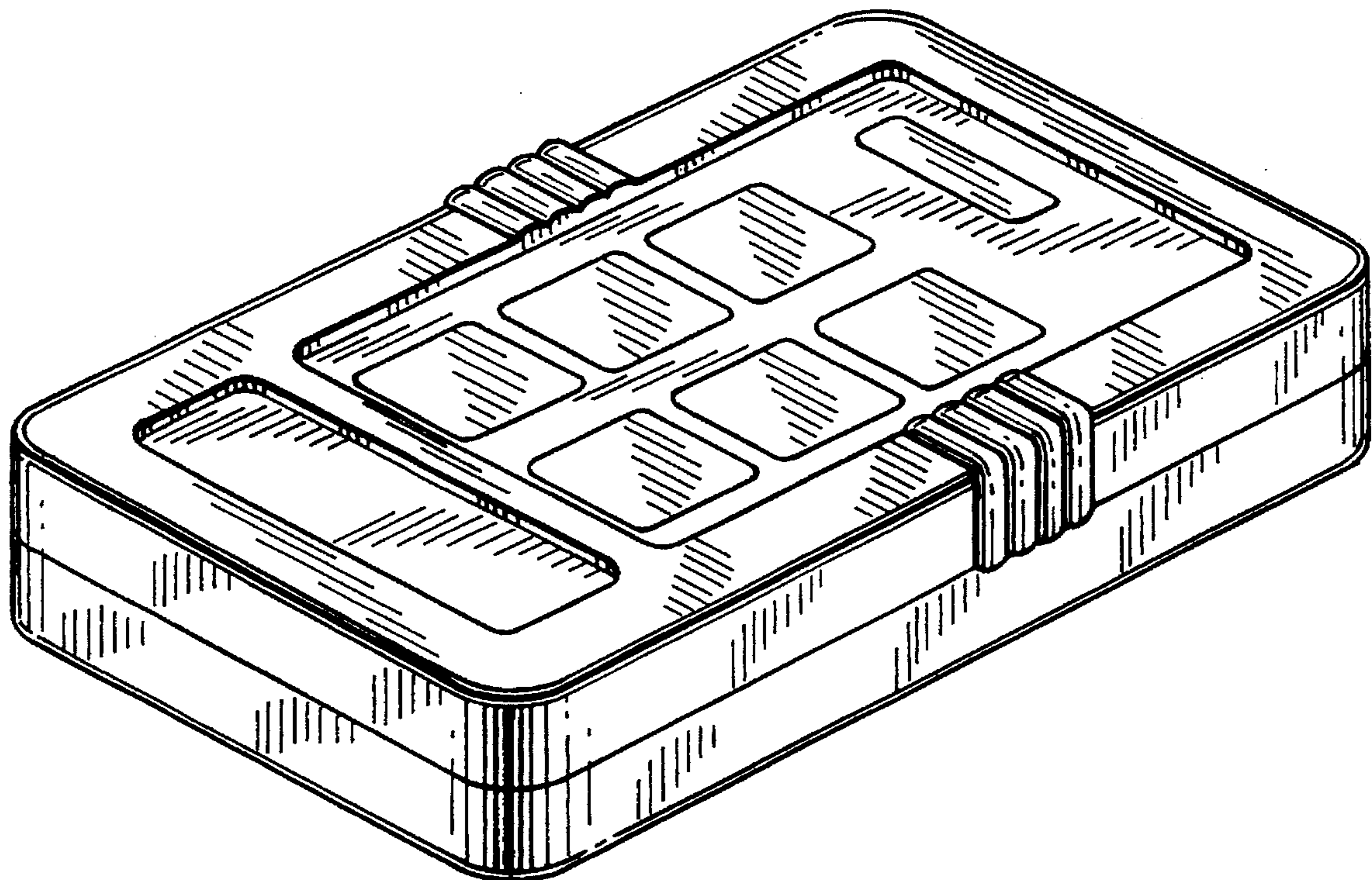
FIG. 1 is a front perspective view of the toy remote control of the present invention;  
FIG. 2 is a top view of the toy remote control of FIG. 1;  
FIG. 3 is a side view of the toy remote control of FIG. 1, the side opposite being a mirror image;  
FIG. 4 is an end view of the toy remote control of FIG. 1, the side opposite being identical;  
FIG. 5 is a bottom view of the toy remote control of FIG. 1;  
FIG. 6 is a front perspective view of a modified embodiment of the design shown in FIGS. 1-5;  
FIG. 7 is a front perspective view of a second modified embodiment of the design shown in FIGS. 1-5; and,  
FIG. 8 is a front perspective view of a third modified embodiment of the design shown in FIGS. 1-5.  
The rear of the toy remote control shown in the first modified embodiment, FIG. 6, is flat and unornamented.

### [56] References Cited

#### U.S. PATENT DOCUMENTS

D. 272,534	2/1984	Wong et al. ....	D14/191
D. 295,404	4/1988	Tokiyama .....	D14/155
D. 313,398	1/1991	Gilchrist .....	D13/168
D. 338,011	8/1993	Carter et al. ....	D14/218
D. 343,212	1/1994	Orton .....	D21/141.1
D. 357,229	4/1995	Gauch et al. ....	D14/299
D. 359,959	7/1995	Scianna, Sr. et al. ....	D14/218
D. 362,695	9/1995	Waldhelm .....	D21/111
4,090,247	5/1978	Martin .....	345/168

1 Claim, 5 Drawing Sheets



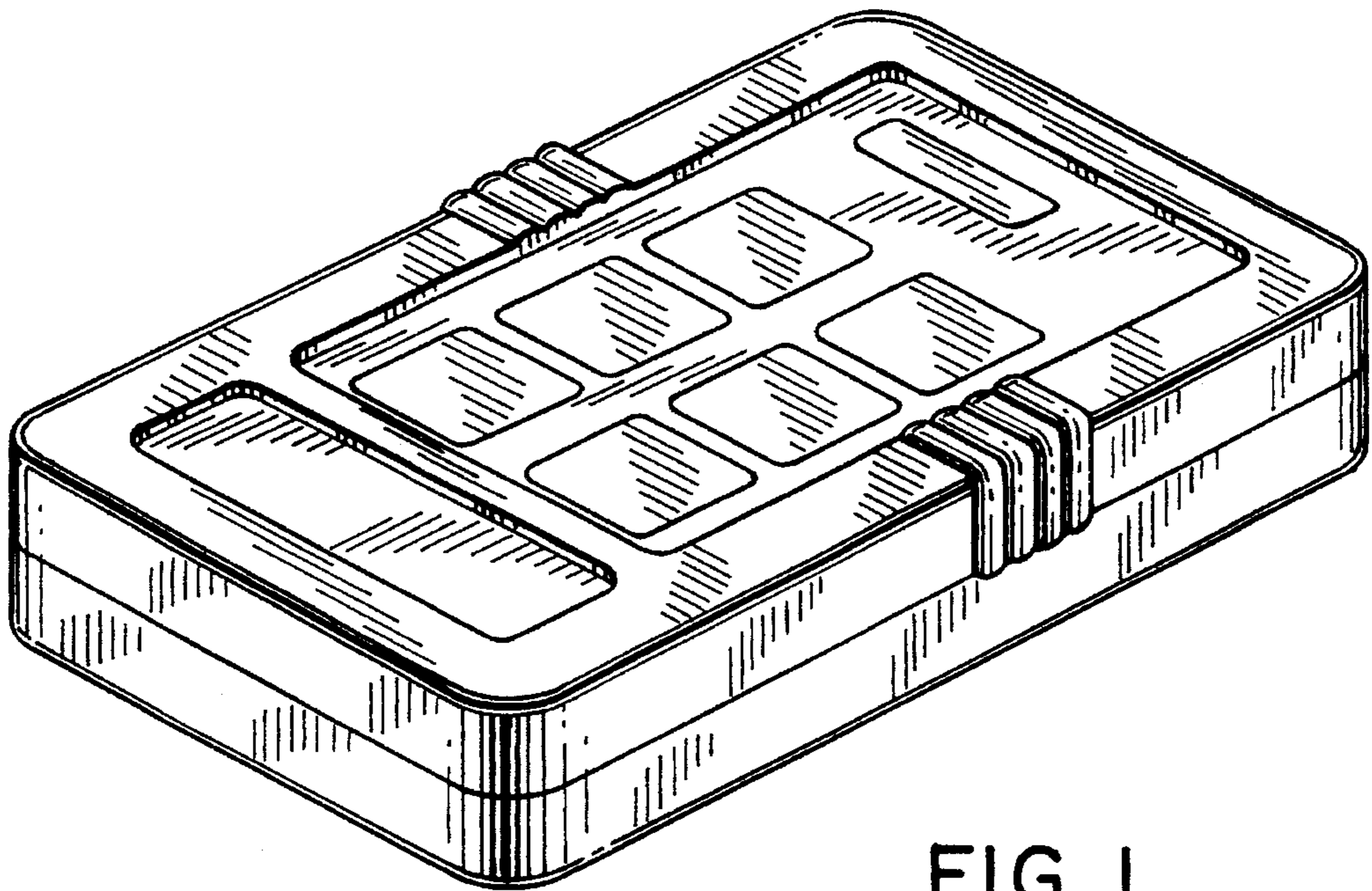


FIG. 1

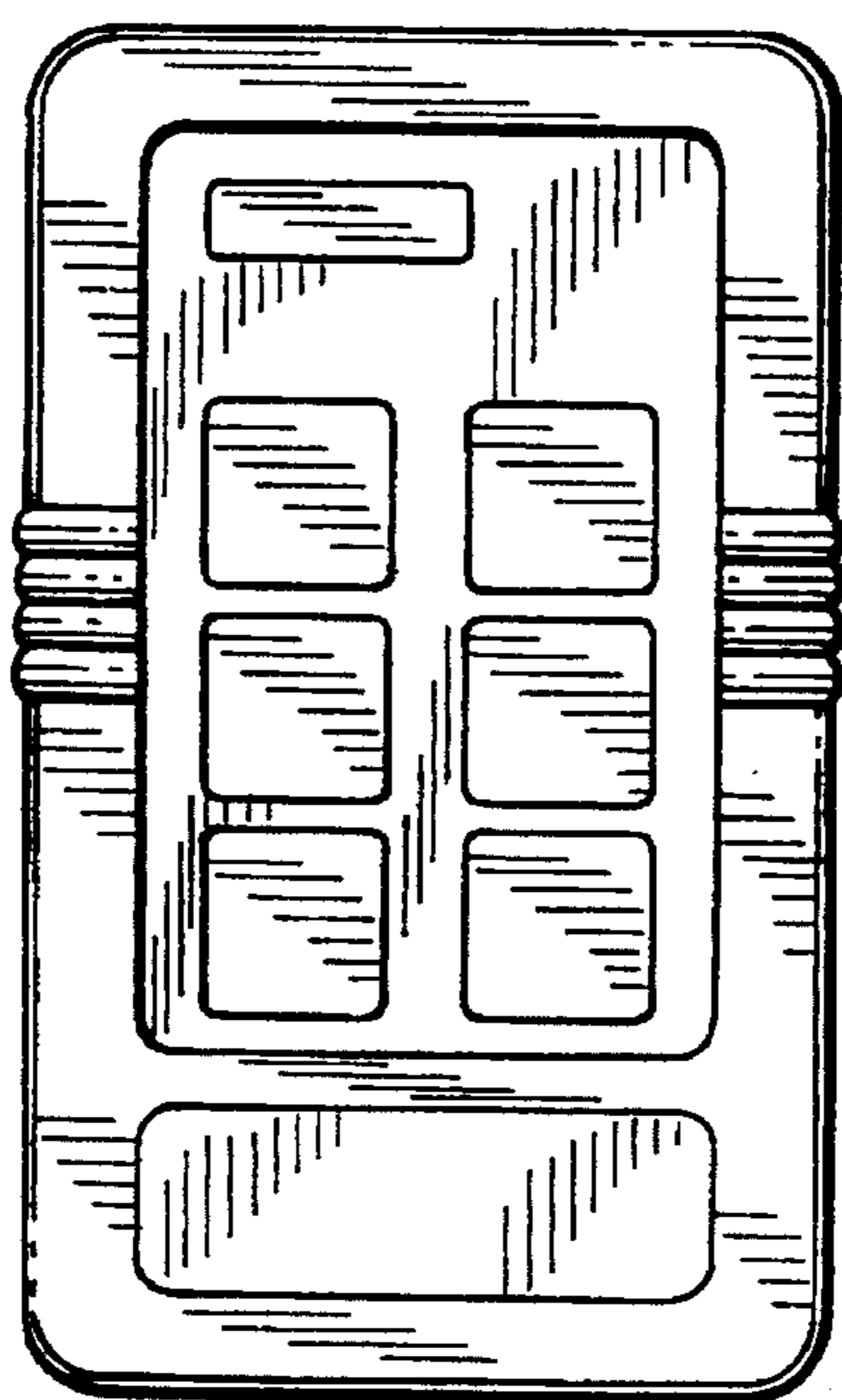


FIG. 2



FIG. 3

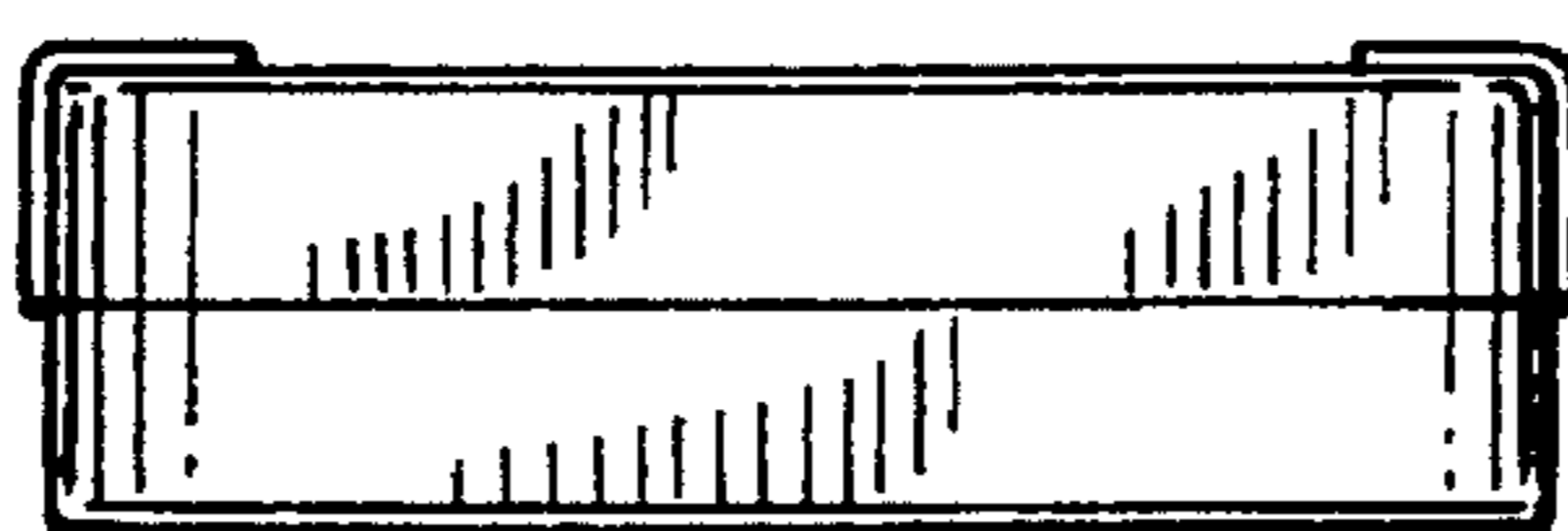


FIG. 4

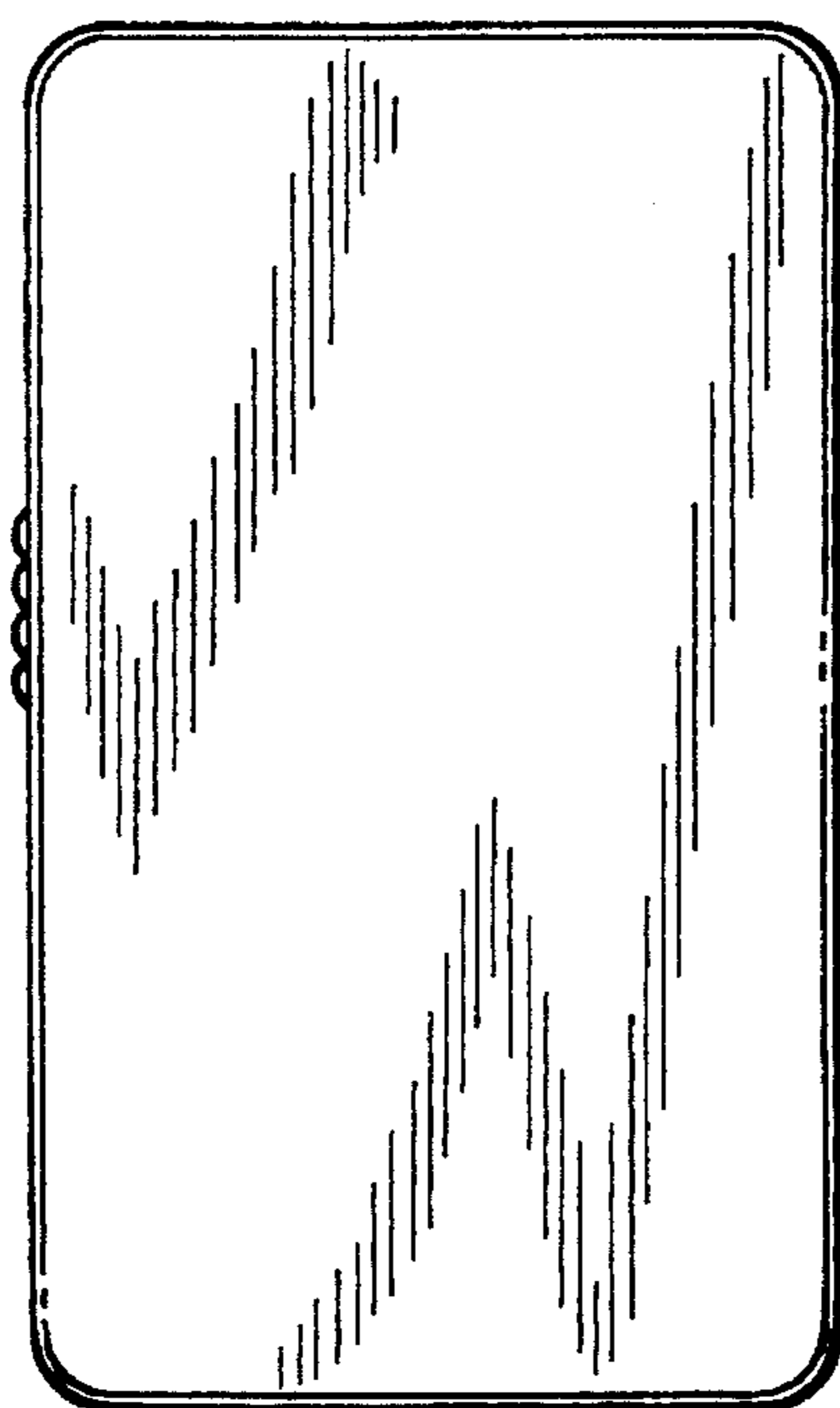


FIG. 5

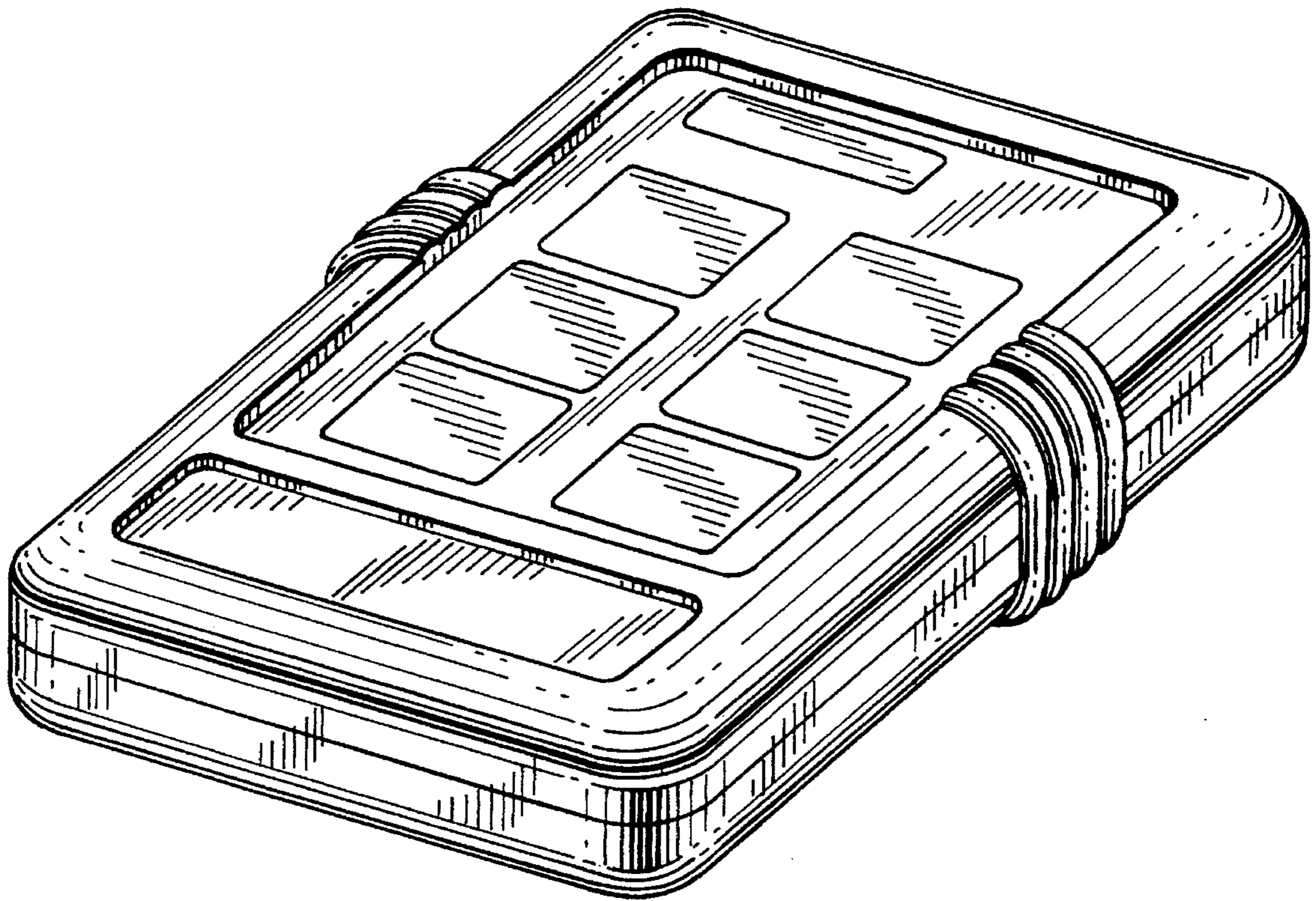


FIG. 6

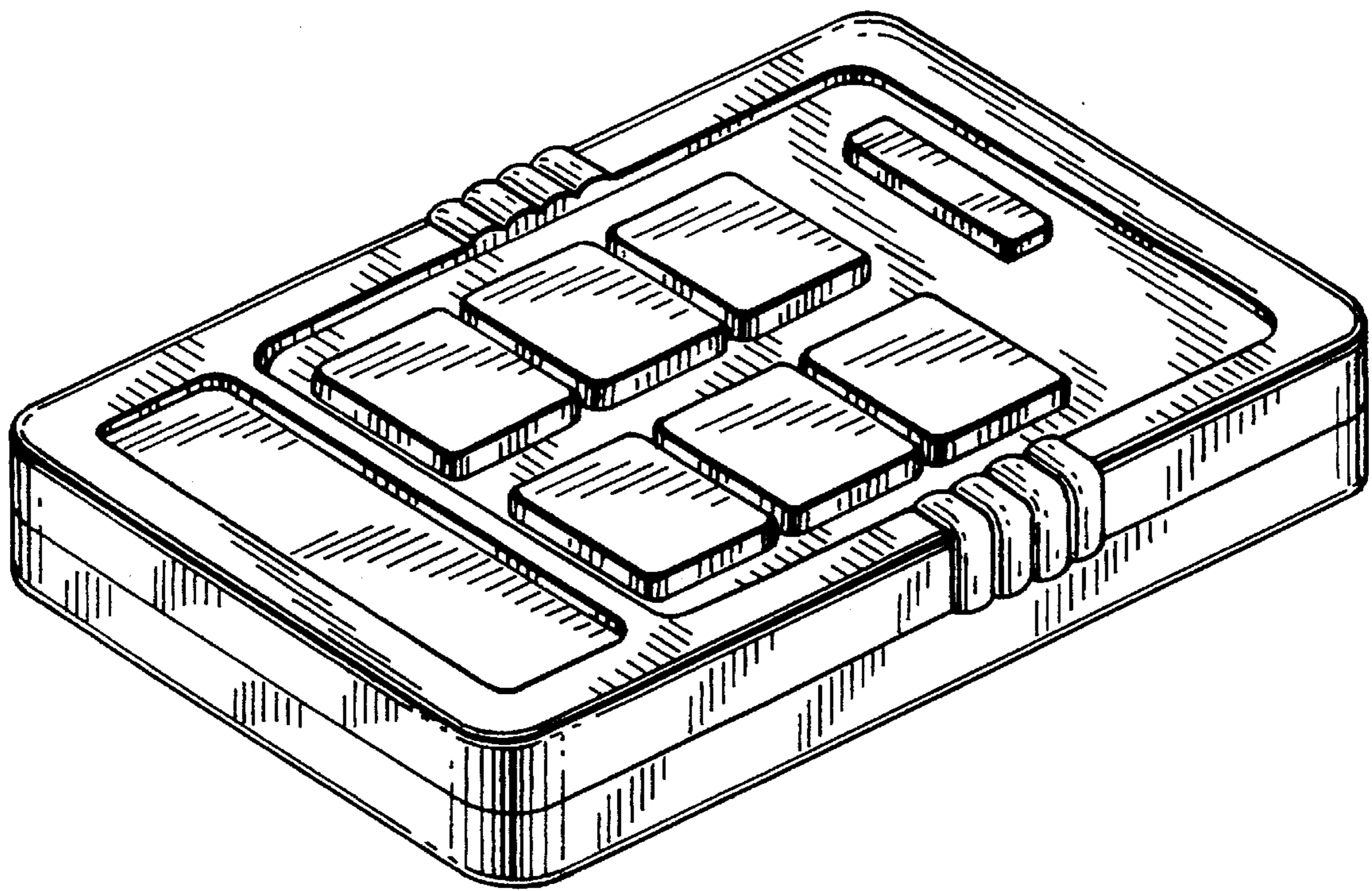


FIG. 7

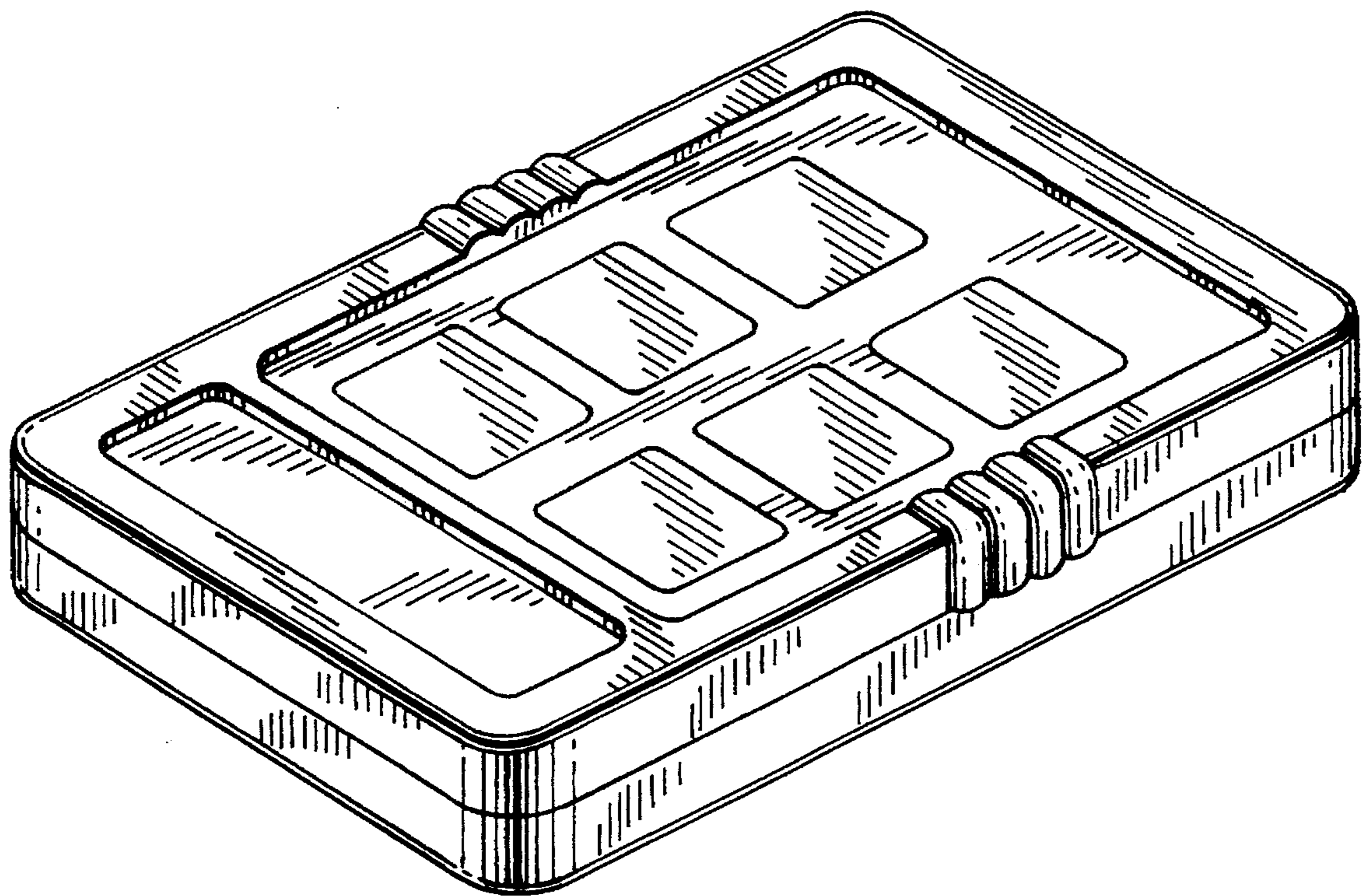


FIG. 8