



US00D374687S

United States Patent [19]

Chapman et al.

[11] Patent Number: **Des. 374,687**

[45] Date of Patent: ****Oct. 15, 1996**

[54] COVER LABEL FOR FLASH CAMERA

[75] Inventors: **Steven S. Chapman**, Corfu; **Daniel C. Jackson**; **John K. McBride**, both of Rochester; **James G. Rydelek**, Henrietta; **Joseph E. Yokajty**, Rochester, all of N.Y.

[73] Assignee: **Eastman Kodak Company**, Rochester, N.Y.

[**] Term: **14 Years**

[21] Appl. No.: **27,933**

[22] Filed: **Sep. 1, 1994**

[52] U.S. Cl. **D20/22; D16/219**

[58] Field of Search **D16/200, 201, D16/208, 209, 219, 237, 250; 354/149.11, 202, 288**

3,731,586	5/1973	Meazza	88/1.5 R
3,958,260	5/1976	Nagasaka	354/202
4,812,863	3/1989	Ohmura et al.	354/219
4,812,866	3/1989	Ushiro et al.	354/288
4,855,774	12/1987	Ohmura et al.	354/203
4,884,087	11/1989	Mochida et al.	354/75
4,890,130	12/1989	Takei et al.	354/288
5,021,811	6/1991	Maurinus et al.	354/76
5,255,041	10/1993	Lyon et al.	354/288
5,329,330	7/1994	Sakai et al.	354/288
5,353,165	10/1994	VanDeMoere et al.	359/819
5,400,098	3/1995	Rydelek	354/288

Primary Examiner—Prabhakar G. Deshmukh

Assistant Examiner—Adir Aronovich

Attorney, Agent, or Firm—Roger A. Fields

[57] CLAIM

The ornamental design for a cover label for flash camera, as shown and described.

DESCRIPTION

FIG. 1 is a front elevation view of a cover label for flash camera, showing our new design; FIG. 2 is a top plan view thereof; FIG. 3 is a bottom plan view thereof; FIG. 4 is a left-side elevation view thereof; FIG. 5 is a right-side elevation view thereof; and, FIG. 6 is a perspective view thereof, the broken line showing of a flash camera is for illustrative purposes only and forms no part of the claimed design.

1 Claim, 2 Drawing Sheets

[56] References Cited

U.S. PATENT DOCUMENTS

D. 225,280	11/1972	Conner	D16/219
D. 321,525	11/1991	Izumi et al.	D16/219
D. 323,523	1/1992	Tanaka et al.	D16/209
D. 329,864	9/1992	Kawagoe	D16/218
D. 345,987	4/1994	Nihei	D16/209
D. 345,988	4/1994	Nojima et al.	D16/209
D. 346,176	4/1994	Nihei	D16/209
1,196,209	8/1916	Clark et al.	354/202
2,933,027	4/1960	Hollingsworth et al.	95/31

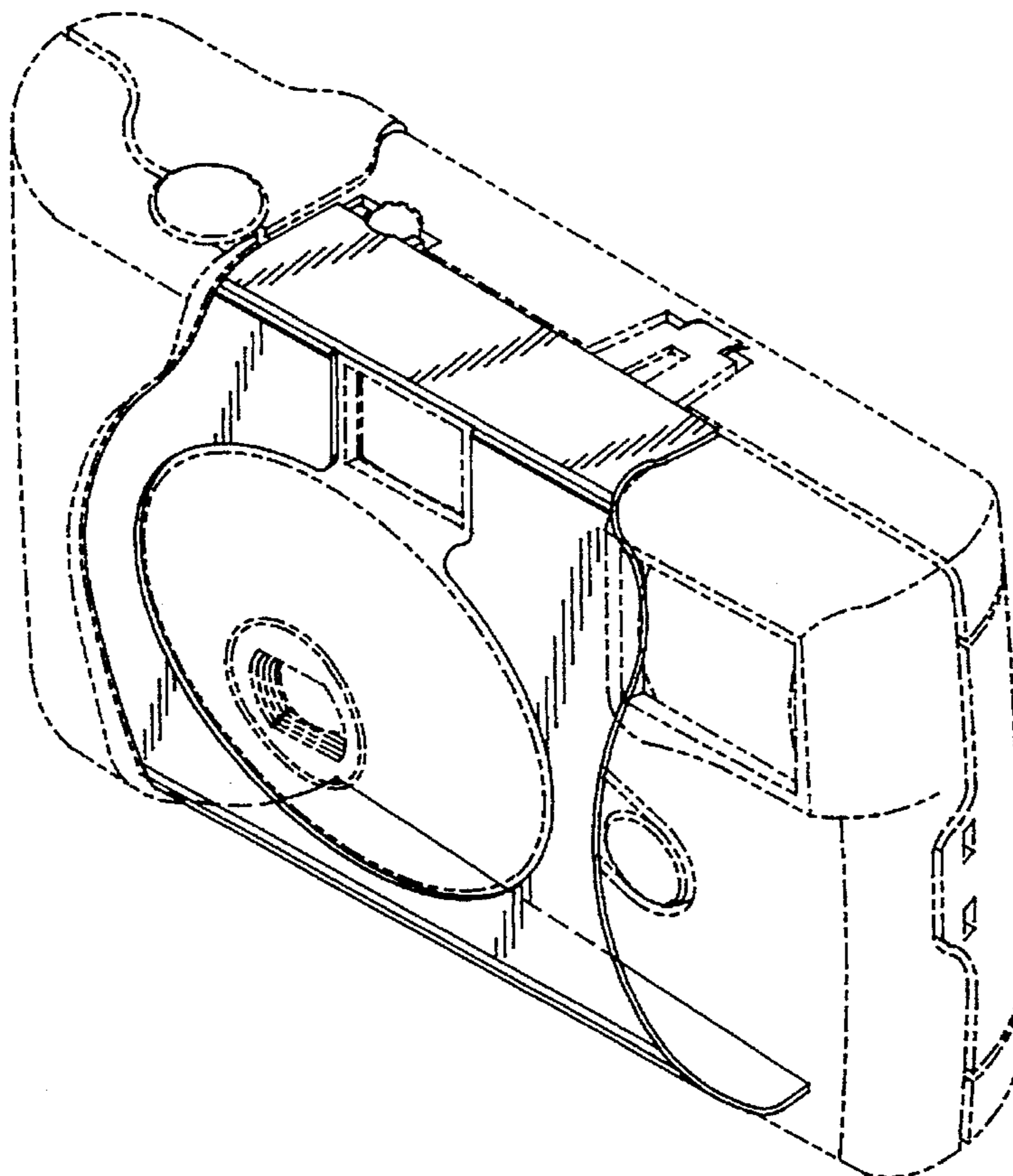




FIG. 2

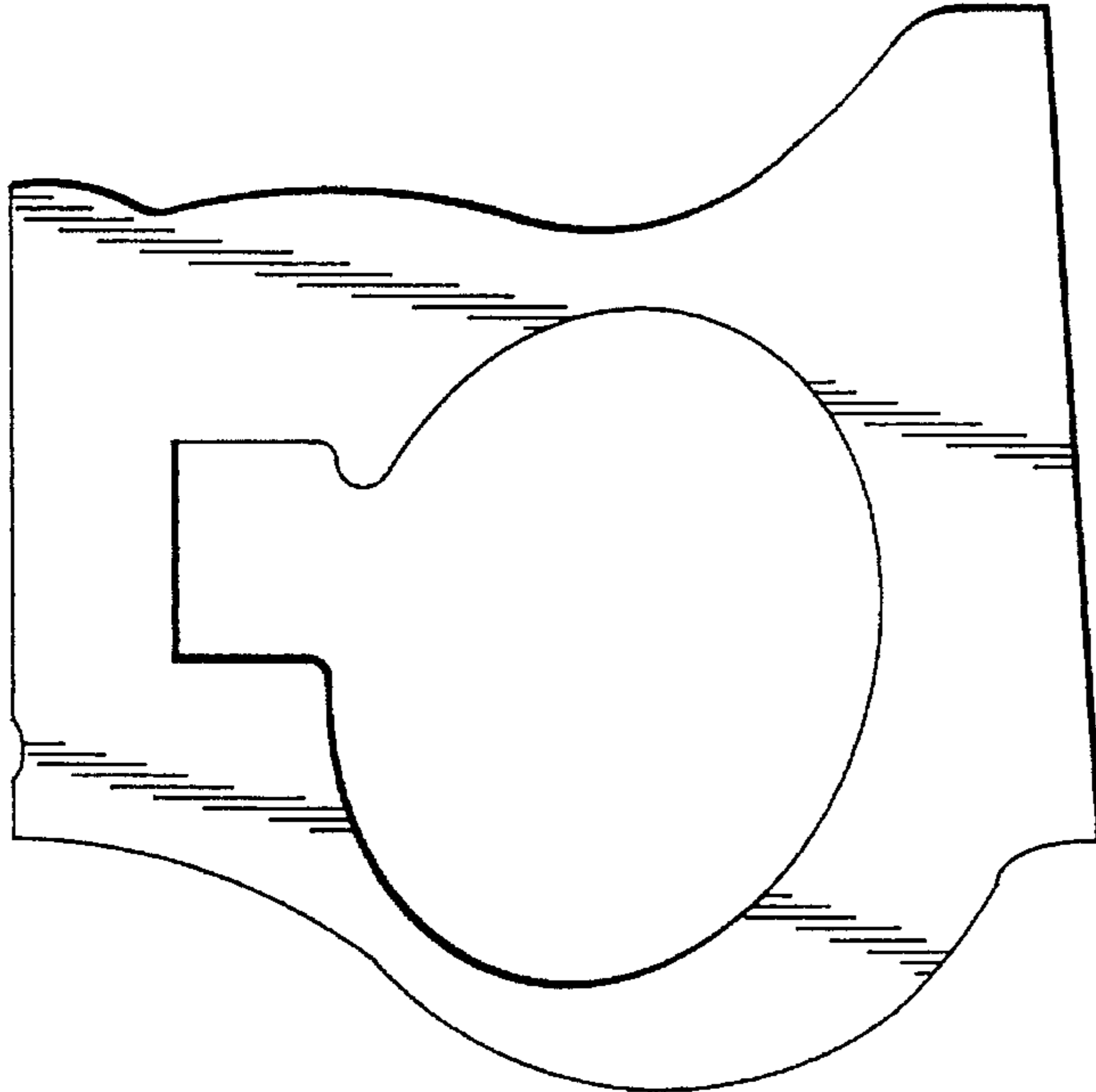


FIG. 1



FIG. 5



FIG. 4



FIG. 3

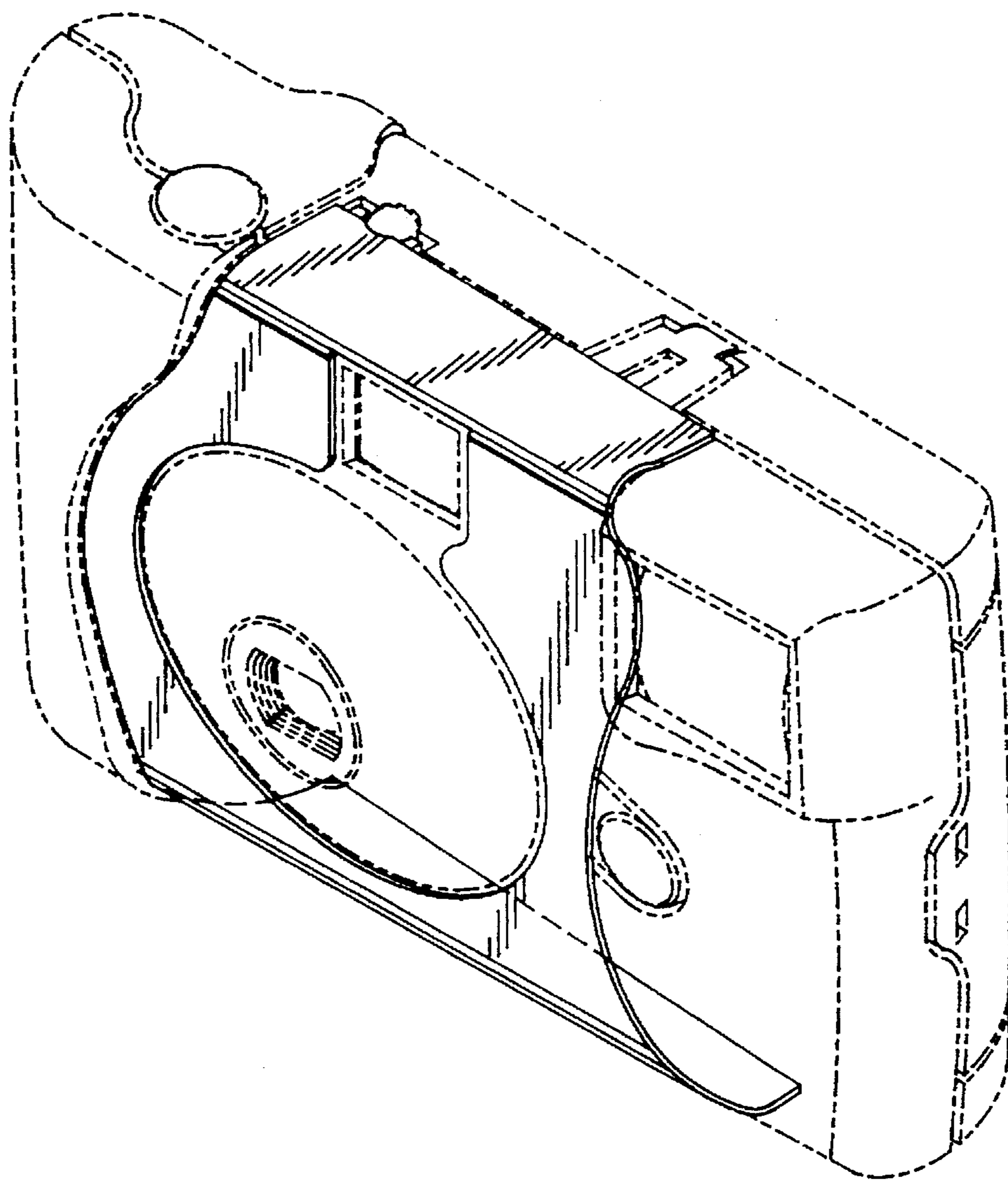


FIG. 6