



US00D374685S

# United States Patent [19]

Tsuruoka

[11] Patent Number: Des. 374,685

[45] Date of Patent: \*\*Oct. 15, 1996

[54] **PRINTER FOR A COMPUTER**

D. 348,899 7/1994 Masujima et al. .... D18/55

[75] Inventor: **Hideo Tsuruoka**, Chiba, Japan

### OTHER PUBLICATIONS

[73] Assignee: **Kabushiki Kaisha TEC**, Shizuoka, Japan

Computer Design; Mar. 1982; p. 242; Southern Systems Inc., Advertisement for Letter Quality Printer.  
Byte; Jan. 1984; p. 297; Micro Peripherals, Inc. Advertisement for Sprinter Printer.

[\*\*] Term: **14 Years**

*Primary Examiner*—Cathy Anne MacCormac  
*Attorney, Agent, or Firm*—Oblon, Spivak, McClelland, Maier & Neustadt, P.C.

[21] Appl. No.: **37,149**

[22] Filed: **Apr. 5, 1995**

### [30] Foreign Application Priority Data

### [57] CLAIM

Dec. 13, 1994 [JP] Japan ..... 6-38096

The ornamental design for printer for a computer, as shown and described.

[52] U.S. Cl. .... **D18/54**

[58] Field of Search ..... D18/50, 54-55;  
400/613, 613.1-613.4, 691-694, 690.1-690.4

### DESCRIPTION

### [56] References Cited

#### U.S. PATENT DOCUMENTS

D. 280,211	8/1985	Overman et al. ....	D18/55
D. 285,566	9/1986	Hayashi .....	D18/54
D. 293,578	1/1988	Matsumoto et al. ....	D18/55
D. 322,624	12/1991	Sato et al. ....	D18/55
D. 323,183	1/1992	Irie et al. ....	D18/55
D. 332,621	1/1993	Sugawara .....	D18/55
D. 335,894	5/1993	Nishikaze et al. ....	D18/55

FIG. 1 is a top, right and front perspective view of printer for a computer, showing my design;  
FIG. 2 is a front elevational view thereof;  
FIG. 3 is a rear elevational view thereof;  
FIG. 4 is a top plan view thereof;  
FIG. 5 is a bottom view thereof;  
FIG. 6 is a left side elevational view thereof; and,  
FIG. 7 is a right side elevational view thereof.

**1 Claim, 4 Drawing Sheets**

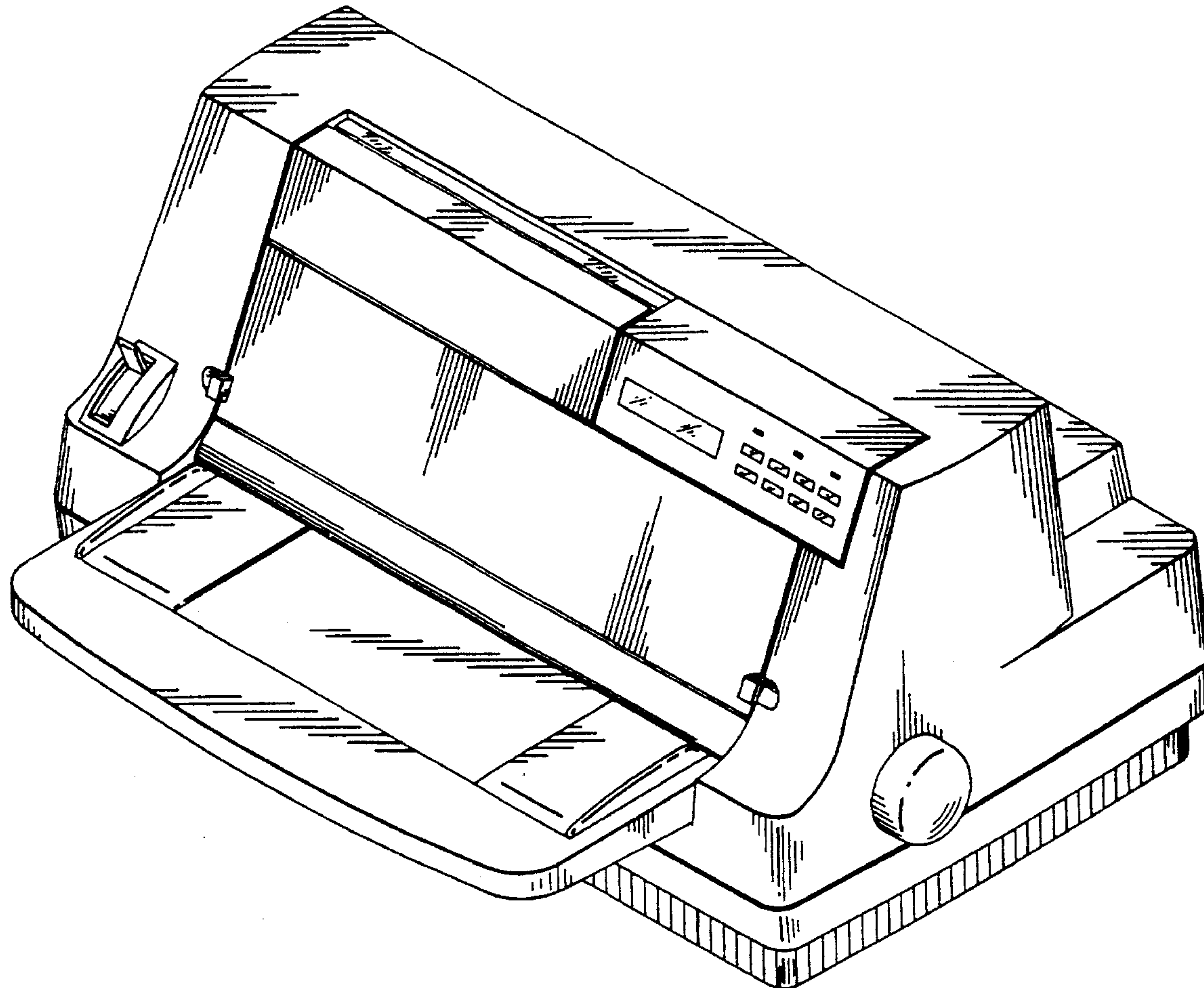


FIG. 1

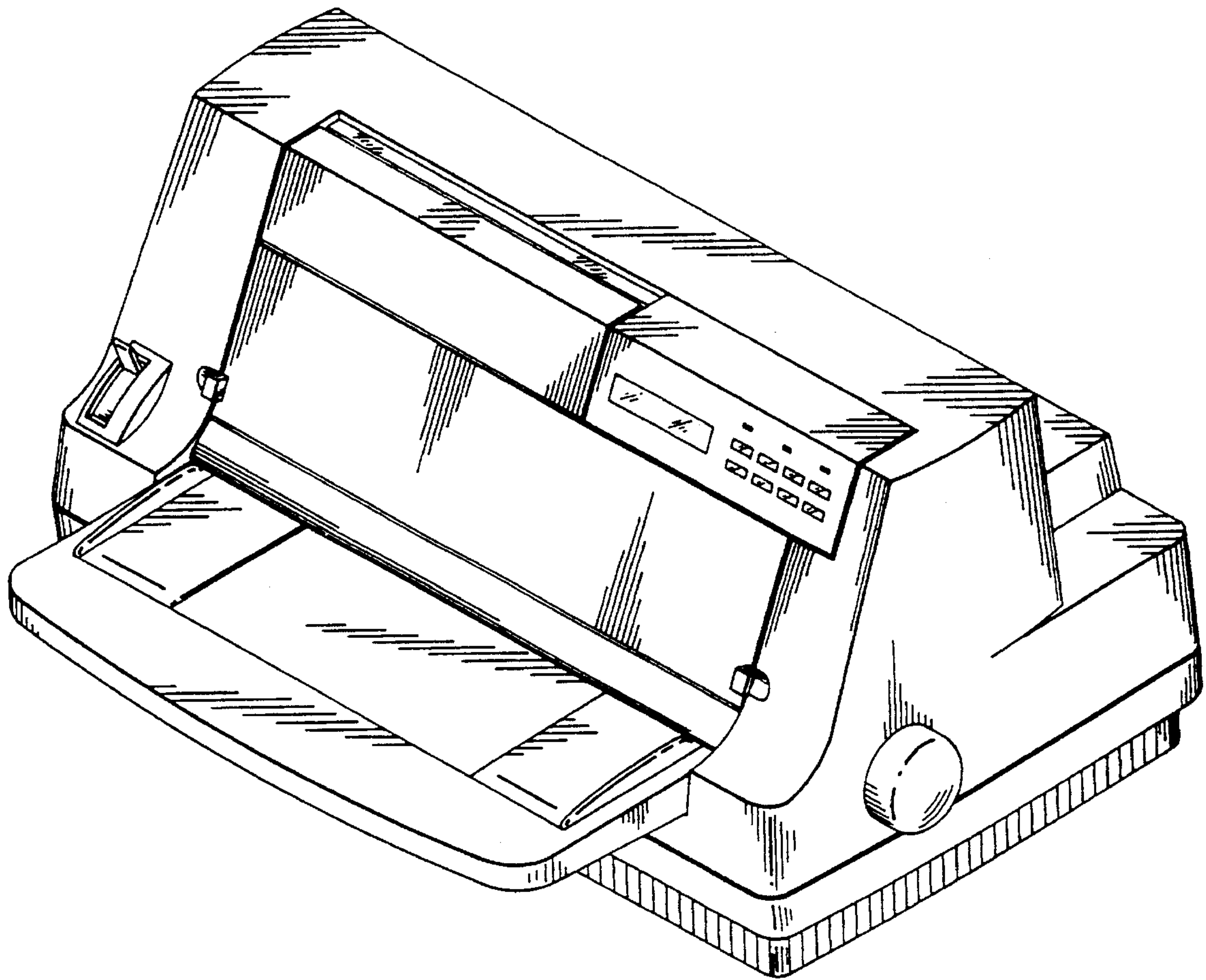


FIG. 2

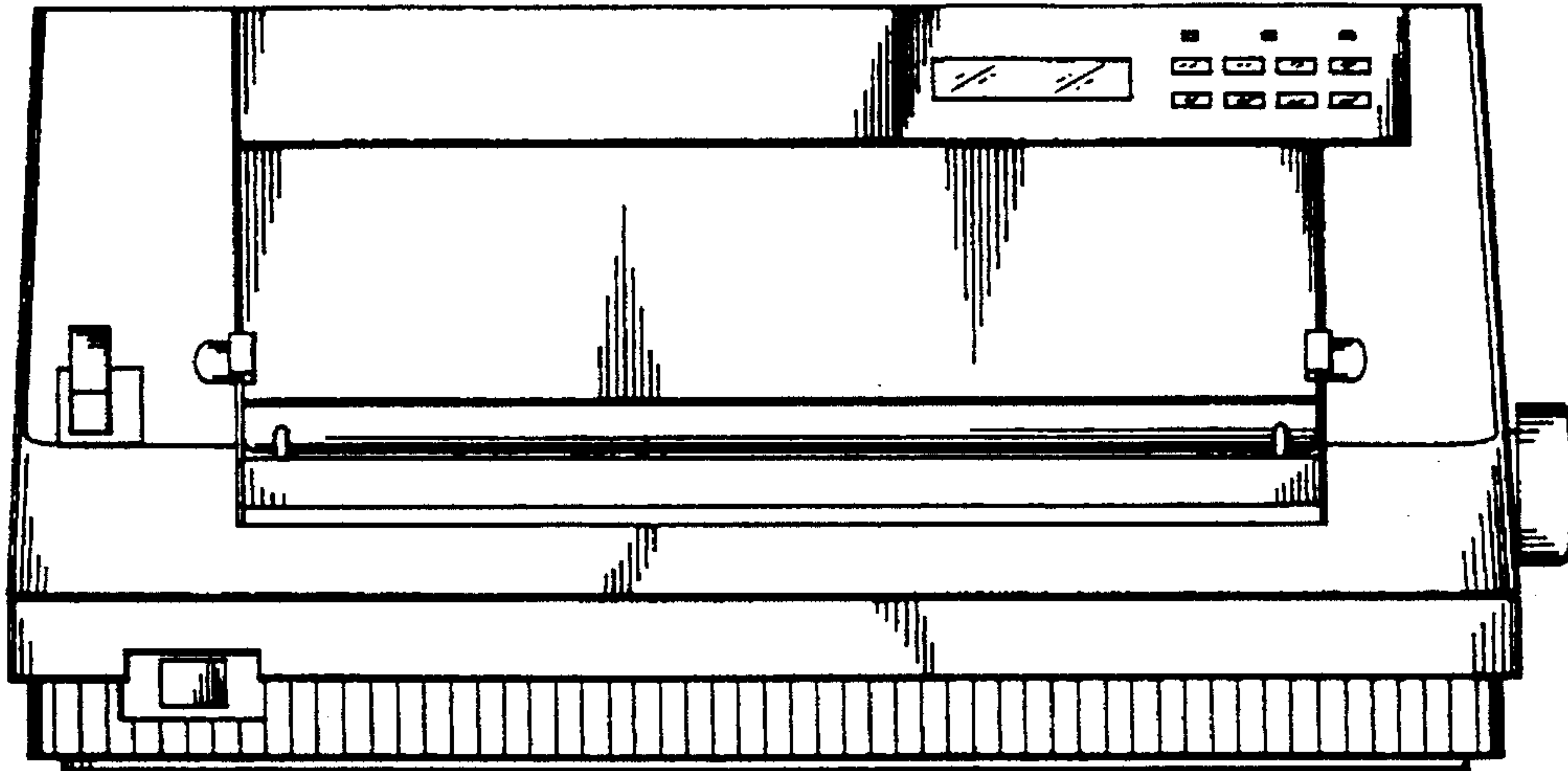


FIG. 3

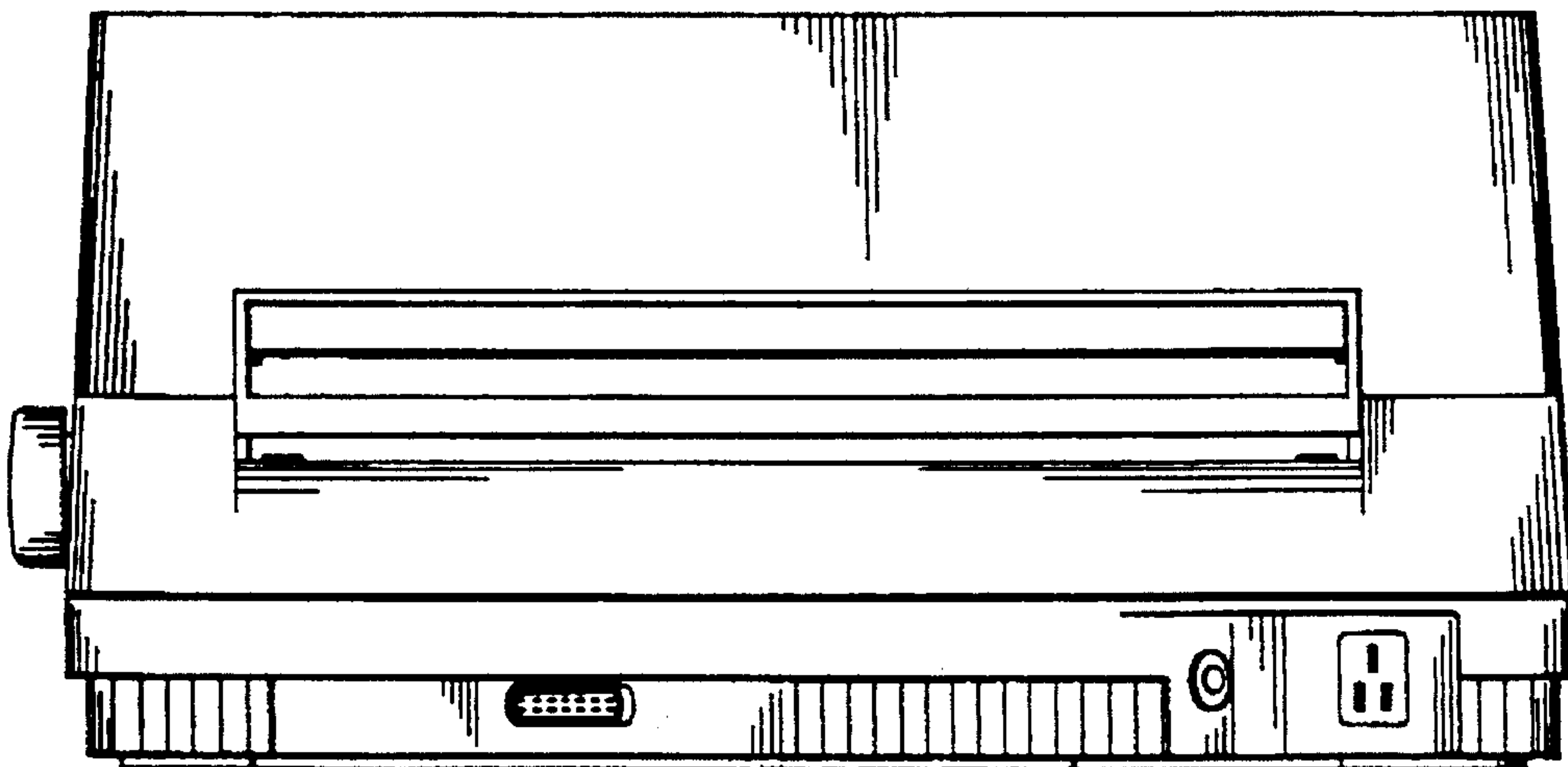


FIG. 4

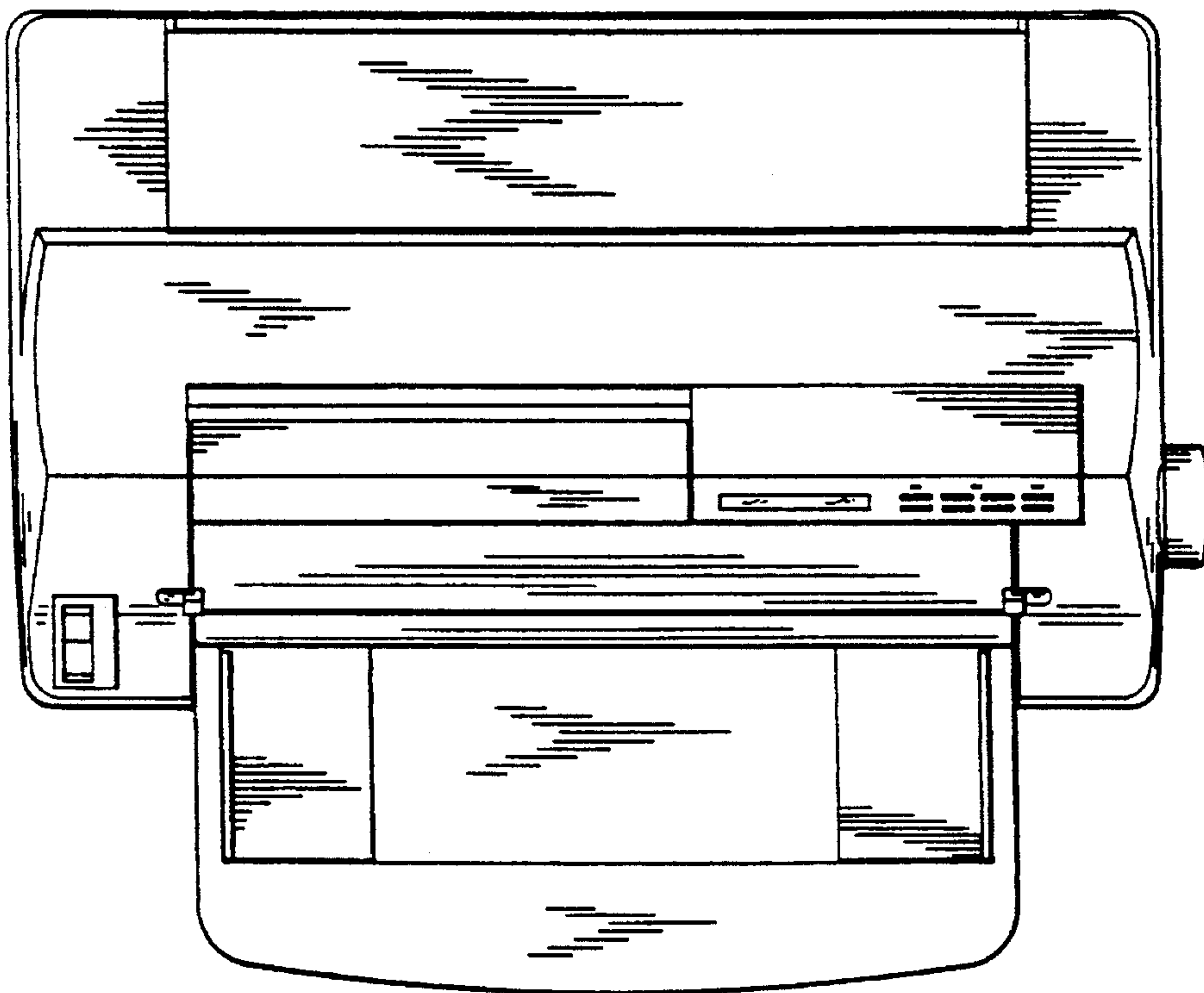


FIG. 5

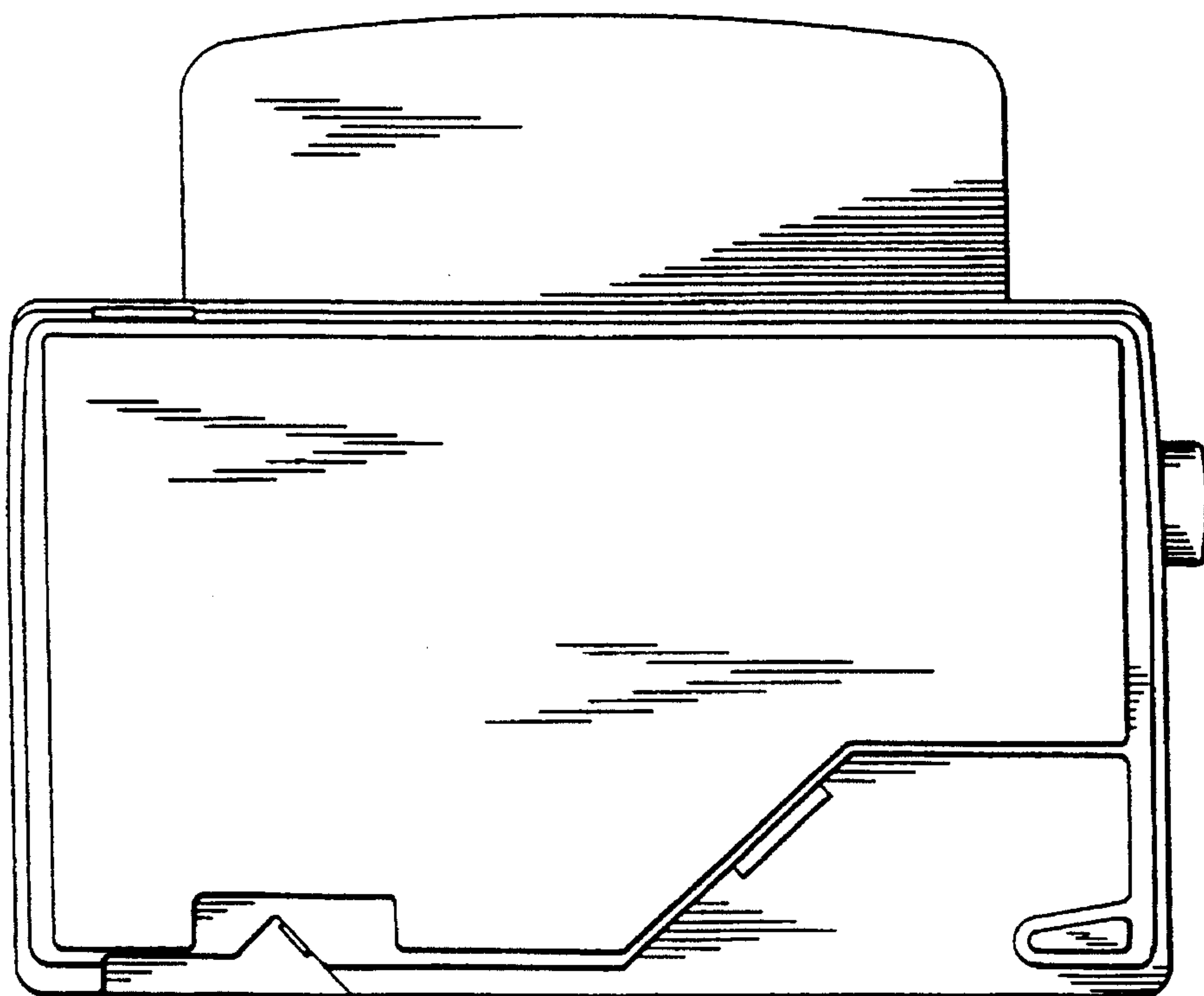




FIG. 6

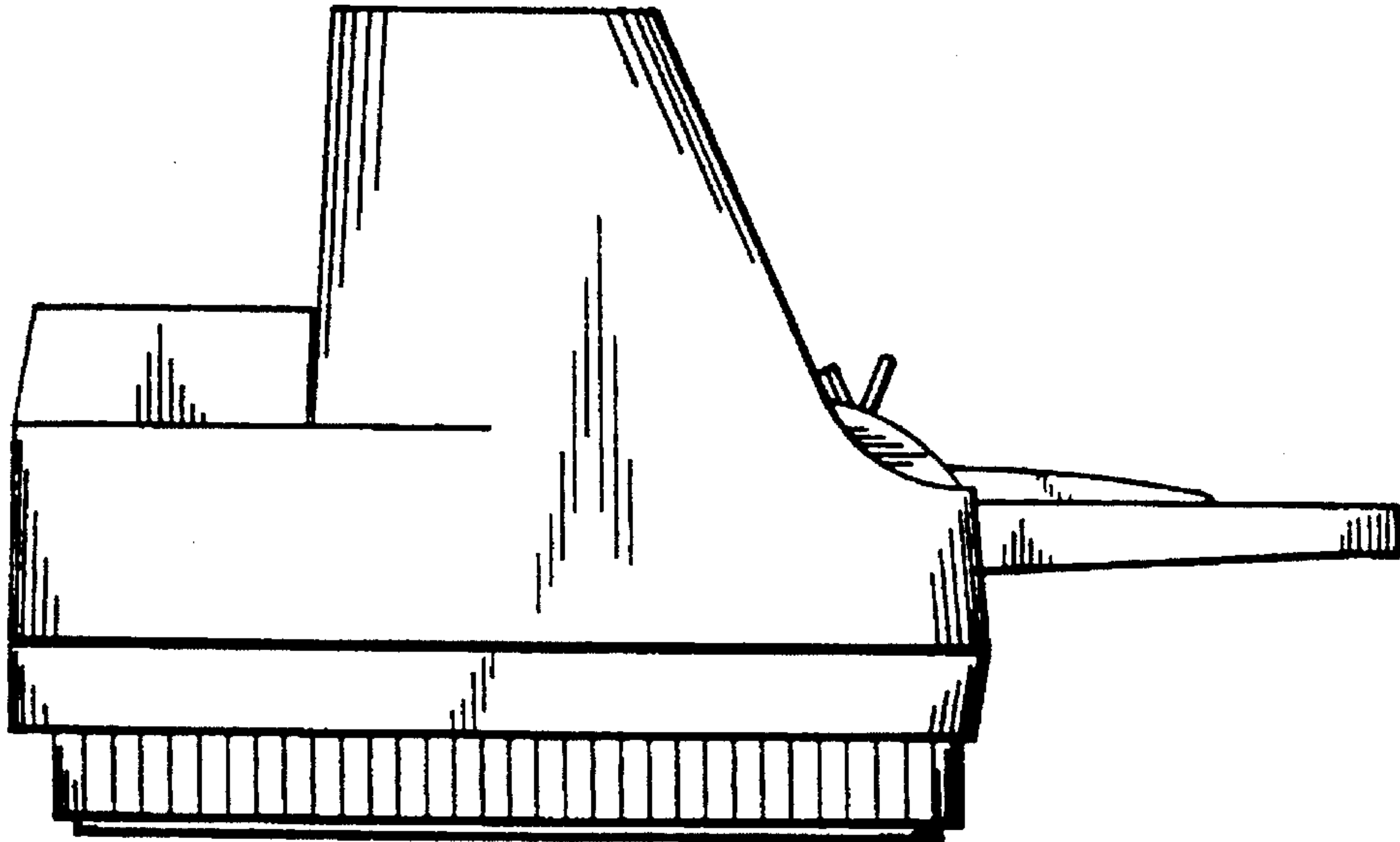


FIG. 7

