



US00D374675S

United States Patent [19]

Sakai et al.

[11] Patent Number: **Des. 374,675**

[45] Date of Patent: ****Oct. 15, 1996**

[54] **WIRELESS MODEM**

[75] Inventors: **Takahiro Sakai; Zin Sakai**, both of Tokyo, Japan

[73] Assignee: **NEC Corporation**, Tokyo, Japan

[**] Term: **14 Years**

[21] Appl. No.: **44,716**

[22] Filed: **Sep. 29, 1995**

[30] Foreign Application Priority Data

Mar. 30, 1995 [JP] Japan 7-8999

[52] U.S. Cl. **D14/242; D14/107**

[58] Field of Search D14/100, 107, D14/114, 240, 140, 242, 138, 248, 299, 256, 191, 149; 439/131, 365; 361/683, 686, 679; D13/107, 108, 147; 379/93, 441, 442

[56] References Cited

U.S. PATENT DOCUMENTS

- D. 326,092 5/1992 Kikuchi D14/248 X
- D. 336,467 6/1993 Pooley et al. D14/114
- D. 338,193 8/1993 Sasaki D14/107
- D. 351,841 10/1994 Blankenship et al. D14/242
- D. 352,503 11/1994 Nagele D14/138
- D. 354,953 1/1995 Kazufimi D14/114
- D. 355,173 2/1995 Fenton et al. D14/242
- D. 355,412 2/1995 Rak et al. D14/242

- D. 361,570 8/1995 Harris et al. D14/242
- 4,861,276 8/1989 Muller et al. 439/365
- 5,035,633 7/1991 Kobayashi et al. 439/131 X
- 5,225,968 7/1993 Ma 361/683
- 5,336,099 8/1994 Aldous 439/131

Primary Examiner—Jeffrey Asch

Attorney, Agent, or Firm—Sughrue, Mion, Zinn, Macpeak & Seas

[57] CLAIM

The ornamental design for a wireless modem, as shown and described.

DESCRIPTION

FIG. 1 is a perspective view of the top, front and right side of a wireless modem with the cover in the open position showing our new design;

FIG. 2 is a front elevational view thereof;

FIG. 3 is a rear elevational view thereof;

FIG. 4 is a right side elevational view thereof;

FIG. 5 is a left side elevational view thereof;

FIG. 6 is a top plan view thereof;

FIG. 7 is a bottom plan view thereof;

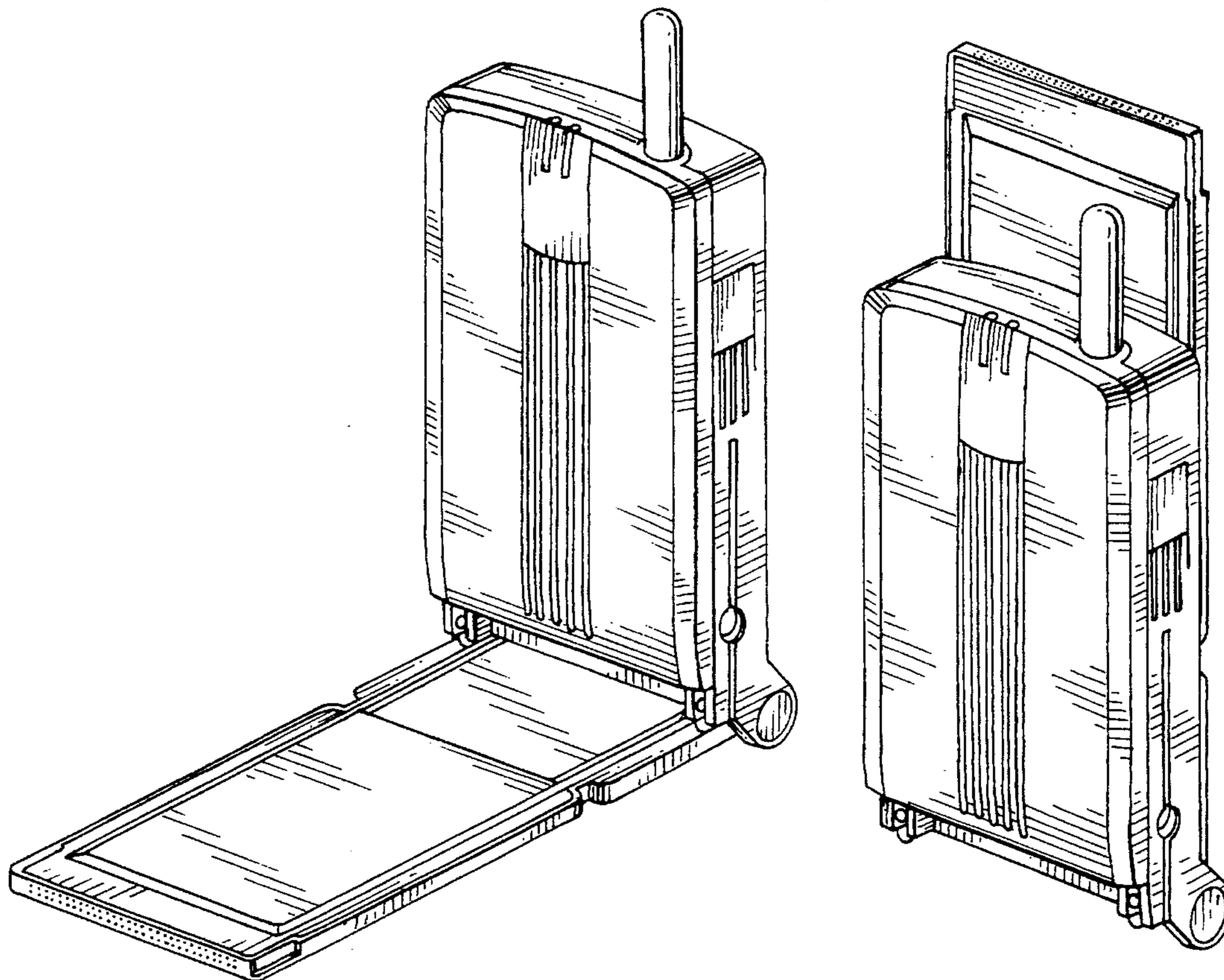
FIG. 8 is a perspective view of the top, front and right side of a wireless modem with the cover closed;

FIG. 9 is rear elevational view thereof with the cover closed;

FIG. 10 is a left side elevational view thereof with the cover closed; and,

FIG. 11 is a top plan view thereof with the cover closed.

1 Claim, 5 Drawing Sheets



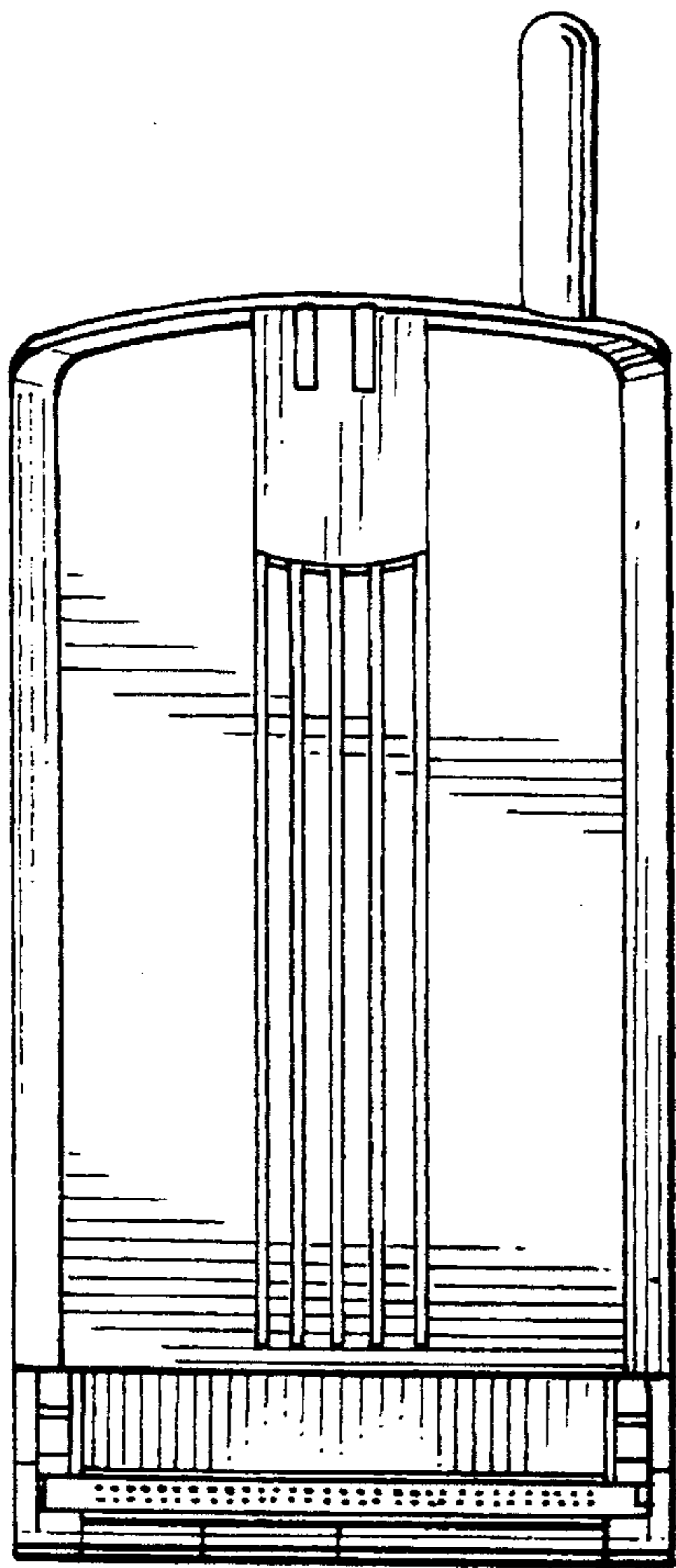


FIG. 2

FIG. 1

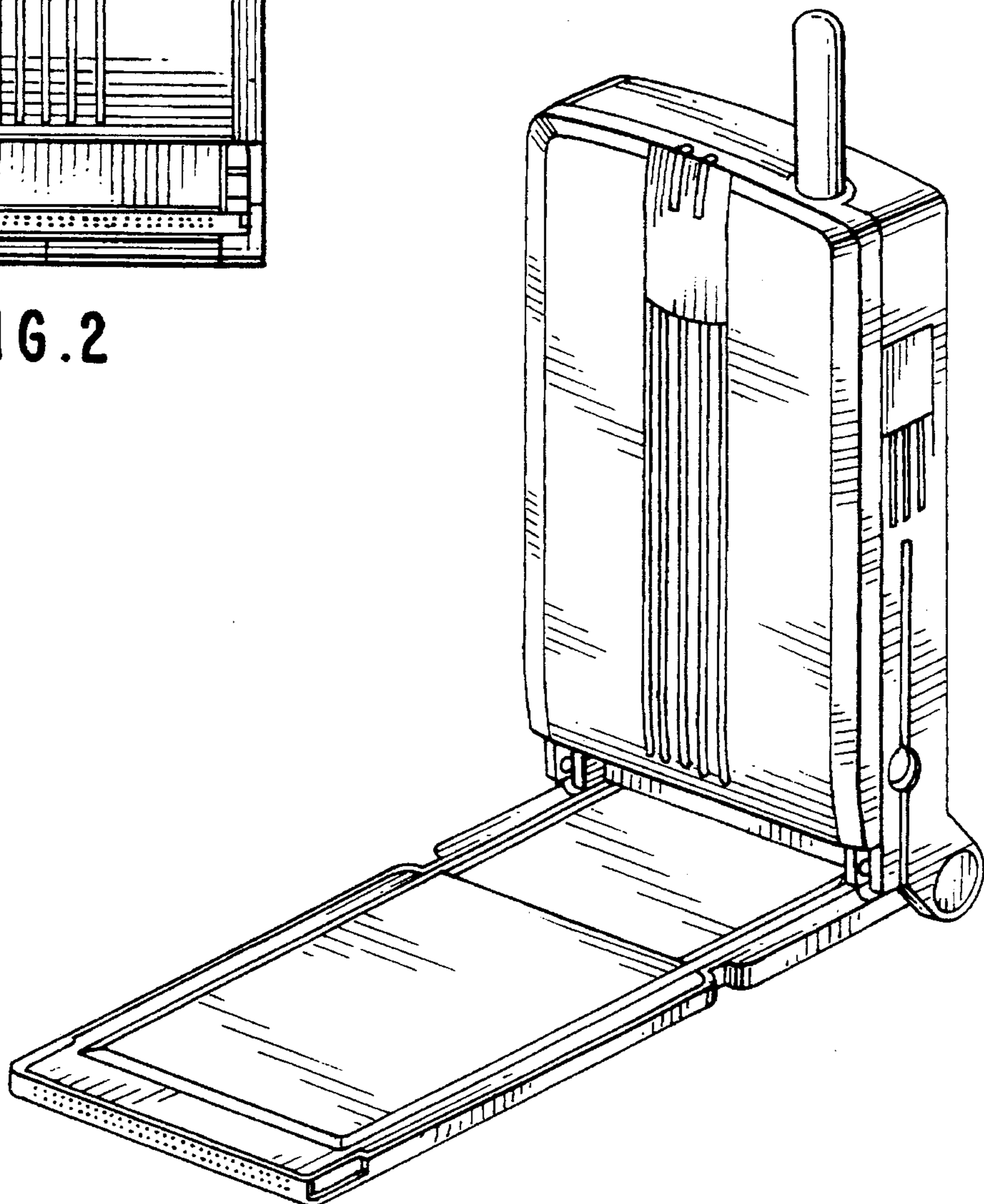


FIG. 3

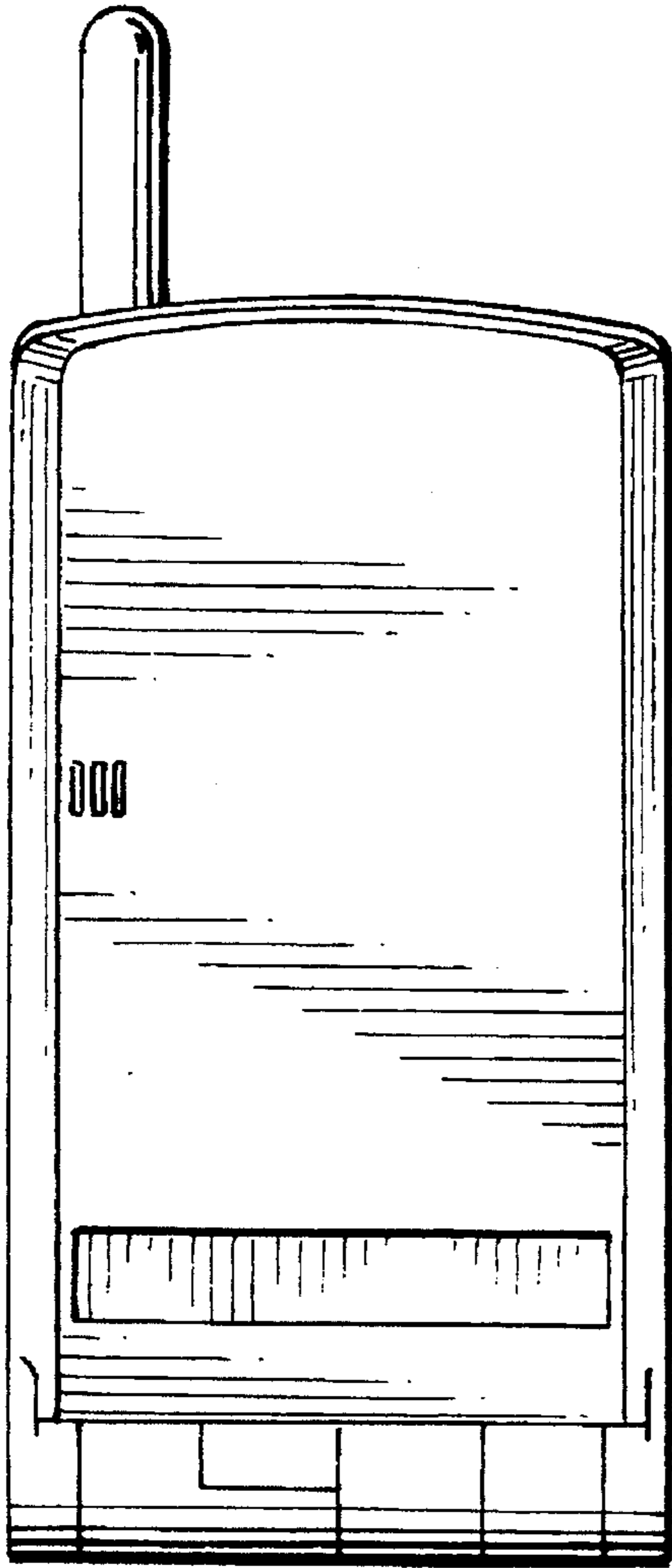
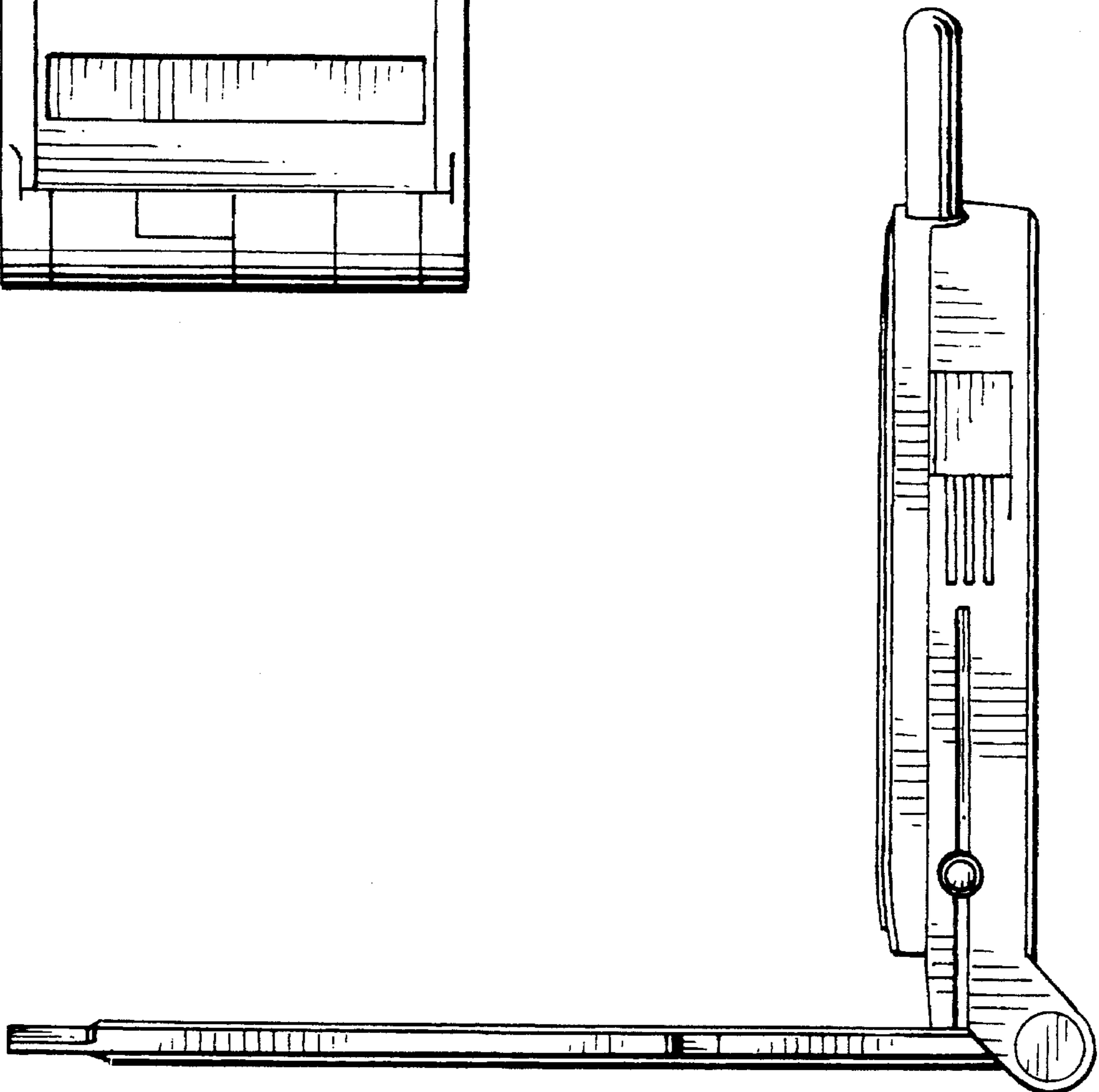


FIG. 4



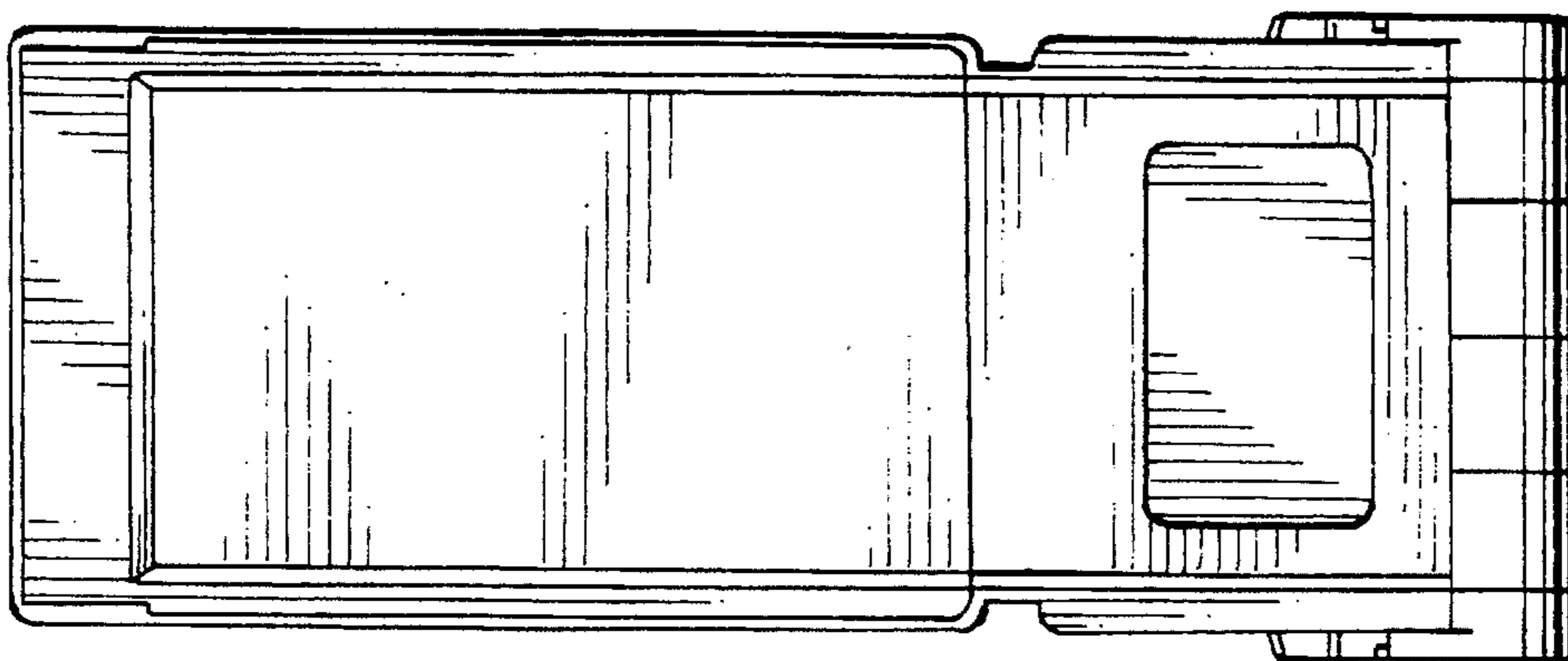


FIG. 7

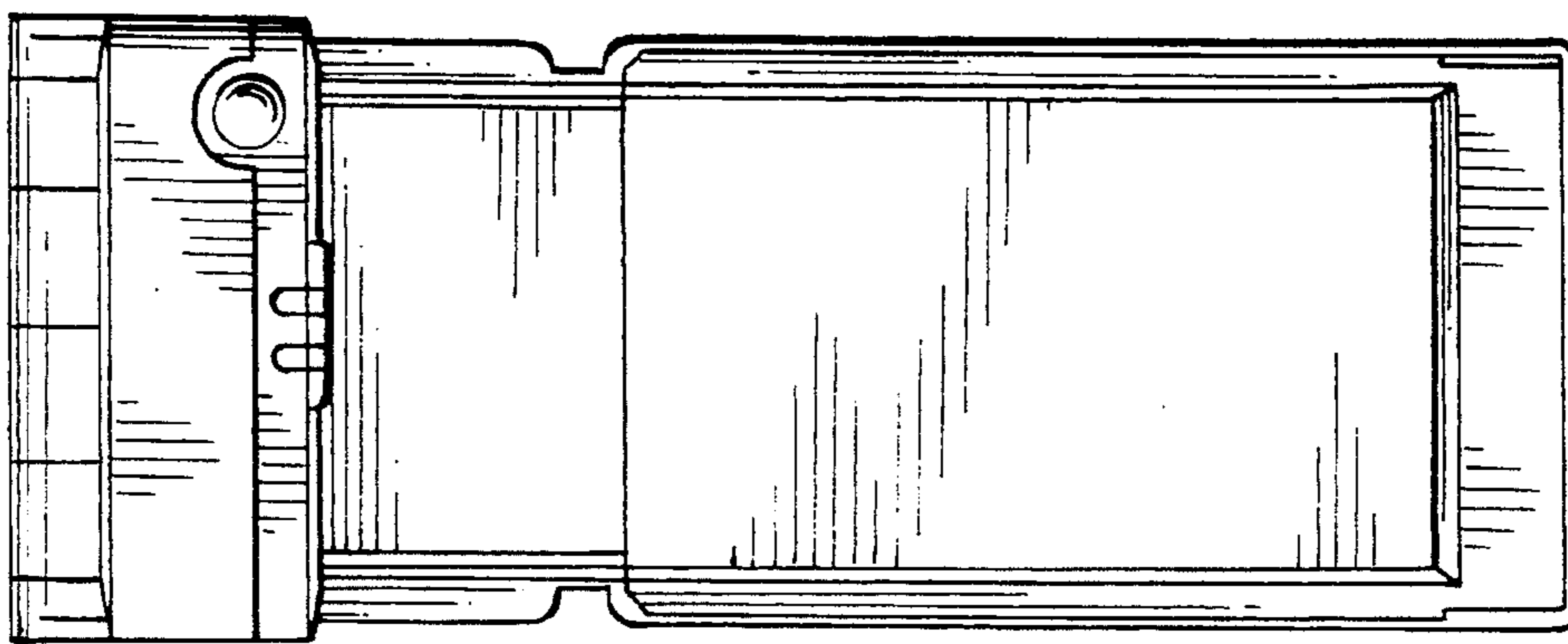


FIG. 6

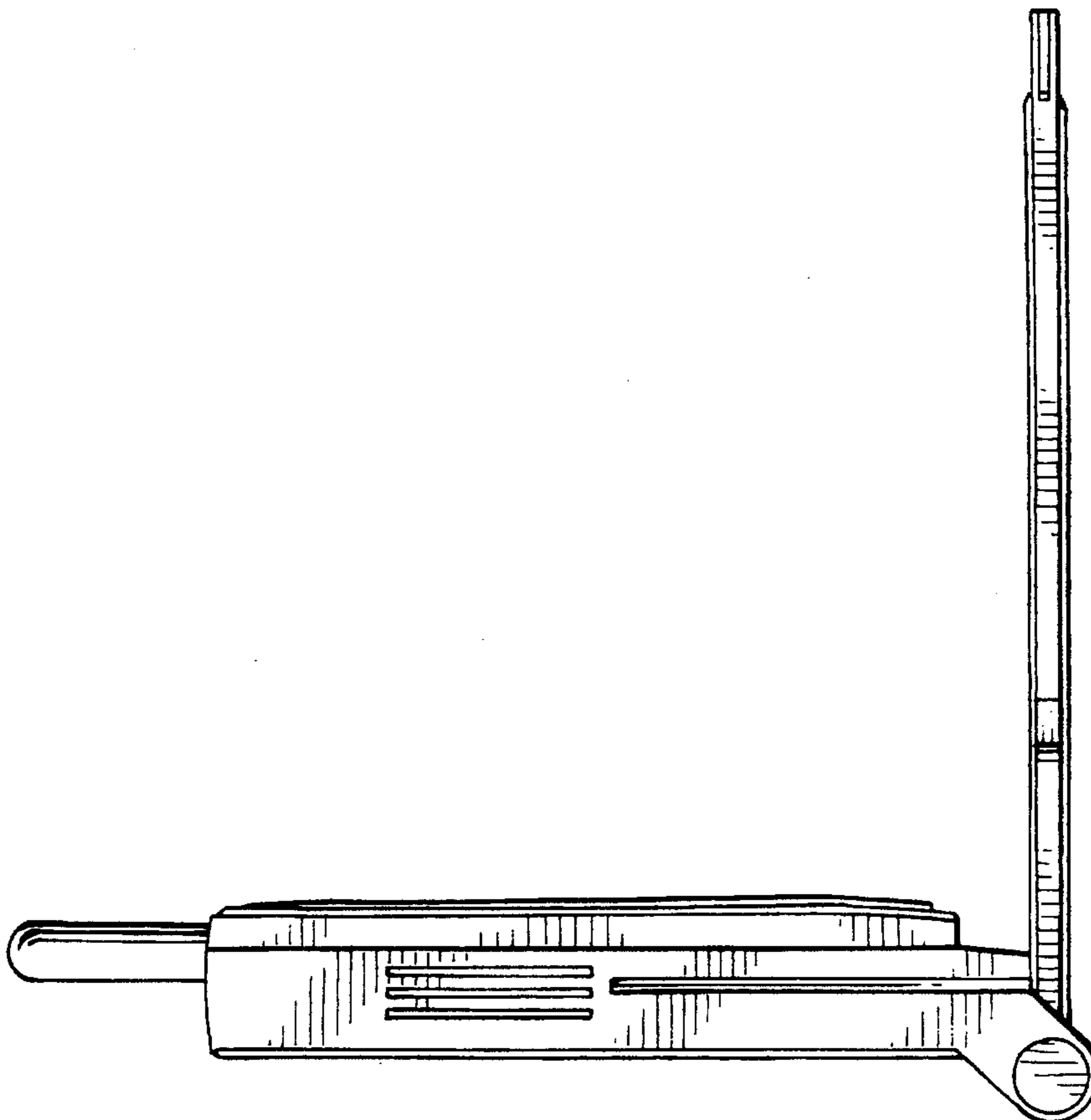


FIG. 5

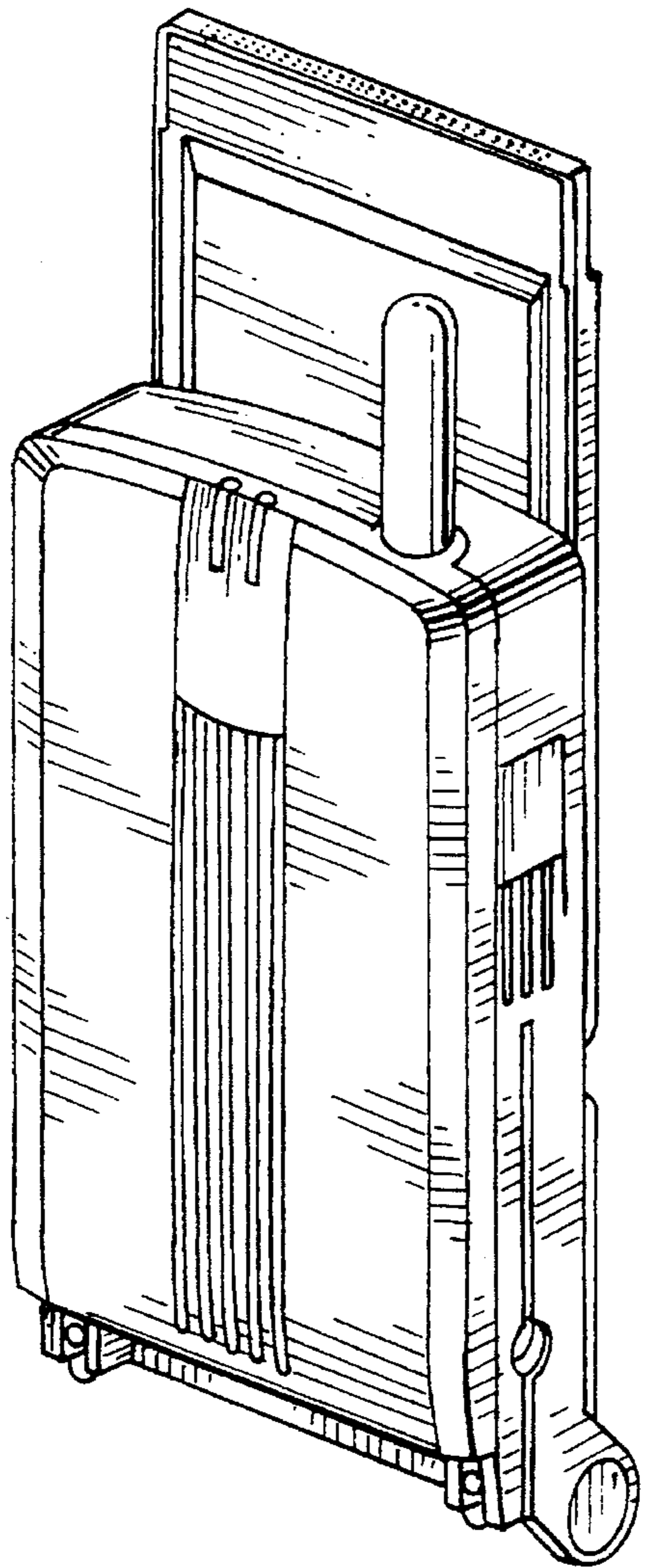


FIG. 8

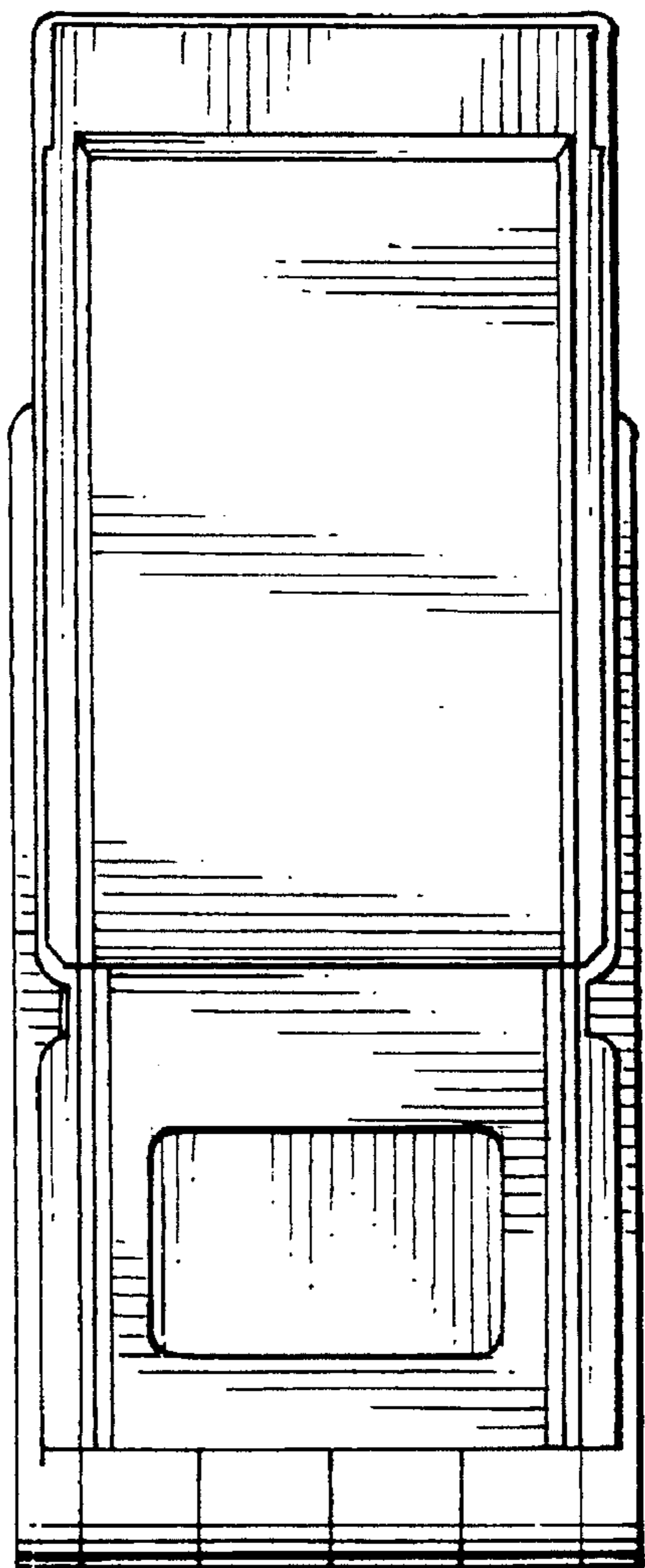


FIG. 9

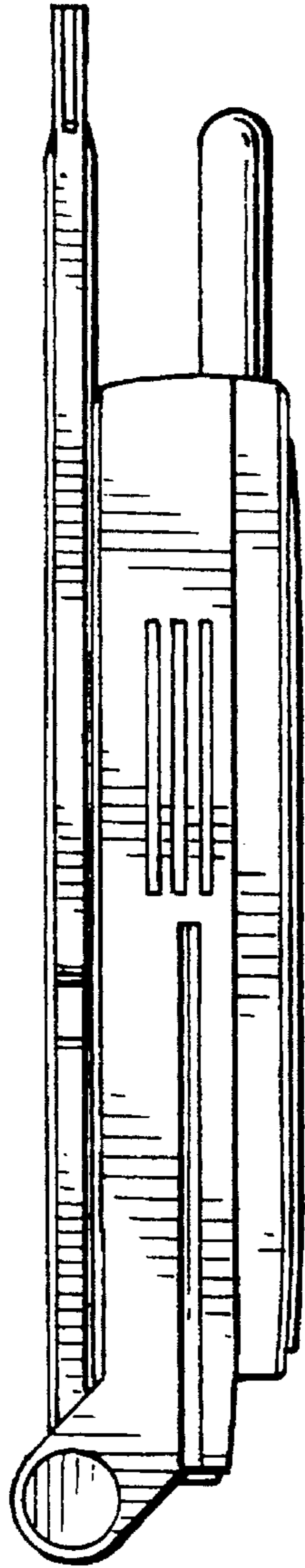


FIG. 10

FIG. 11

