



US00D374673S

# United States Patent [19]

Beaumont et al.

[11] Patent Number: **Des. 374,673**

[45] Date of Patent: **\*\*Oct. 15, 1996**

[54] **HOUSING FOR A RADIO TRANSCEIVING DEVICE**

[75] Inventors: **Thomas G. Beaumont**, Bedford;  
**Albert M. Bolton, Jr.**, Ft. Worth, both  
of Tex.

[73] Assignee: **Motorola, Inc.**, Schaumburg, Ill.

[\*\*] Term: **14 Years**

[21] Appl. No.: **32,473**

[22] Filed: **Dec. 19, 1994**

[52] U.S. Cl. .... **D14/240; D14/142; D13/184**

[58] Field of Search ..... **D14/155, 156,  
D14/157, 217, 257, 258, 265, 299, 137,  
138, 140, 142, 191, 240; 455/73, 89, 90;  
D13/162, 164, 184; 379/419, 428, 440**

[56] **References Cited**

**U.S. PATENT DOCUMENTS**

D. 306,583	3/1990	Krolopp et al. ....	D13/184
D. 306,857	3/1990	Beaumont .....	D14/137
D. 339,808	9/1993	Khoo et al. ....	D14/142
D. 342,249	12/1993	Beaumont et al. ....	D13/184

D. 342,250	12/1993	Beaumont et al. ....	D14/142
D. 343,618	1/1994	Hayasaka et al. ....	D14/191
D. 345,354	3/1994	Ichimura .....	D14/137
D. 348,674	7/1994	Lindeman et al. ....	D14/240
D. 349,501	8/1994	Fan .....	D14/240
D. 352,504	11/1994	Scheid et al. ....	D14/191

**OTHER PUBLICATIONS**

British Telecommunications Engineering, vol. 8, Jan. 1990  
p. 27 British Telecom radiopager.

*Primary Examiner*—Sandra L. Morris  
*Attorney, Agent, or Firm*—L. Bruce Terry

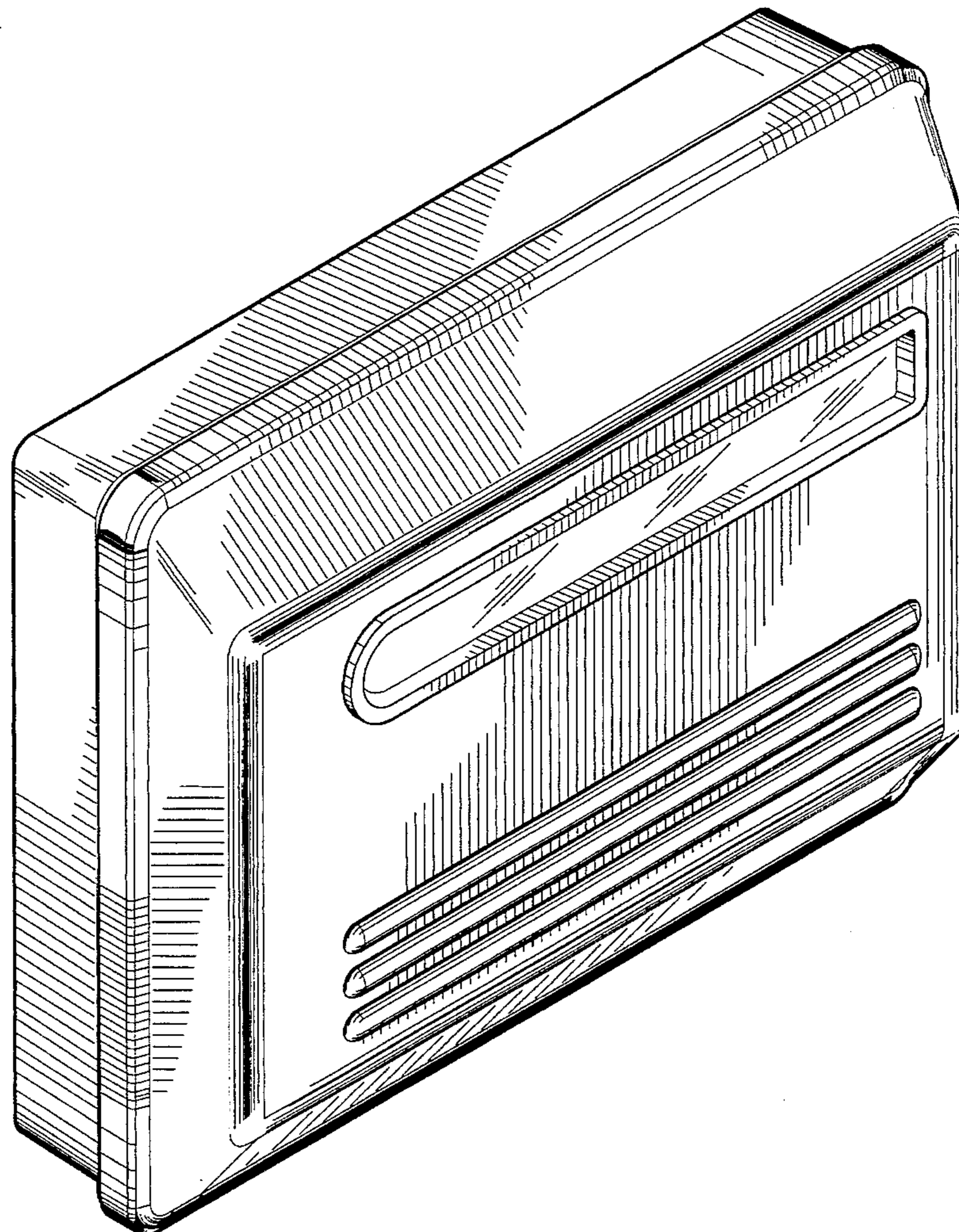
[57] **CLAIM**

The ornamental design for a housing for a radio transceiving data, as shown and described.

**DESCRIPTION**

FIG. 1 is a top, left front perspective view of a housing for a radio transceiving device, showing our new design; FIG. 2 is a right side elevational view thereof, the other side being identical; FIG. 3 is a bottom plan view thereof; and, FIG. 4 is a rear elevational view thereof.

**1 Claim, 2 Drawing Sheets**



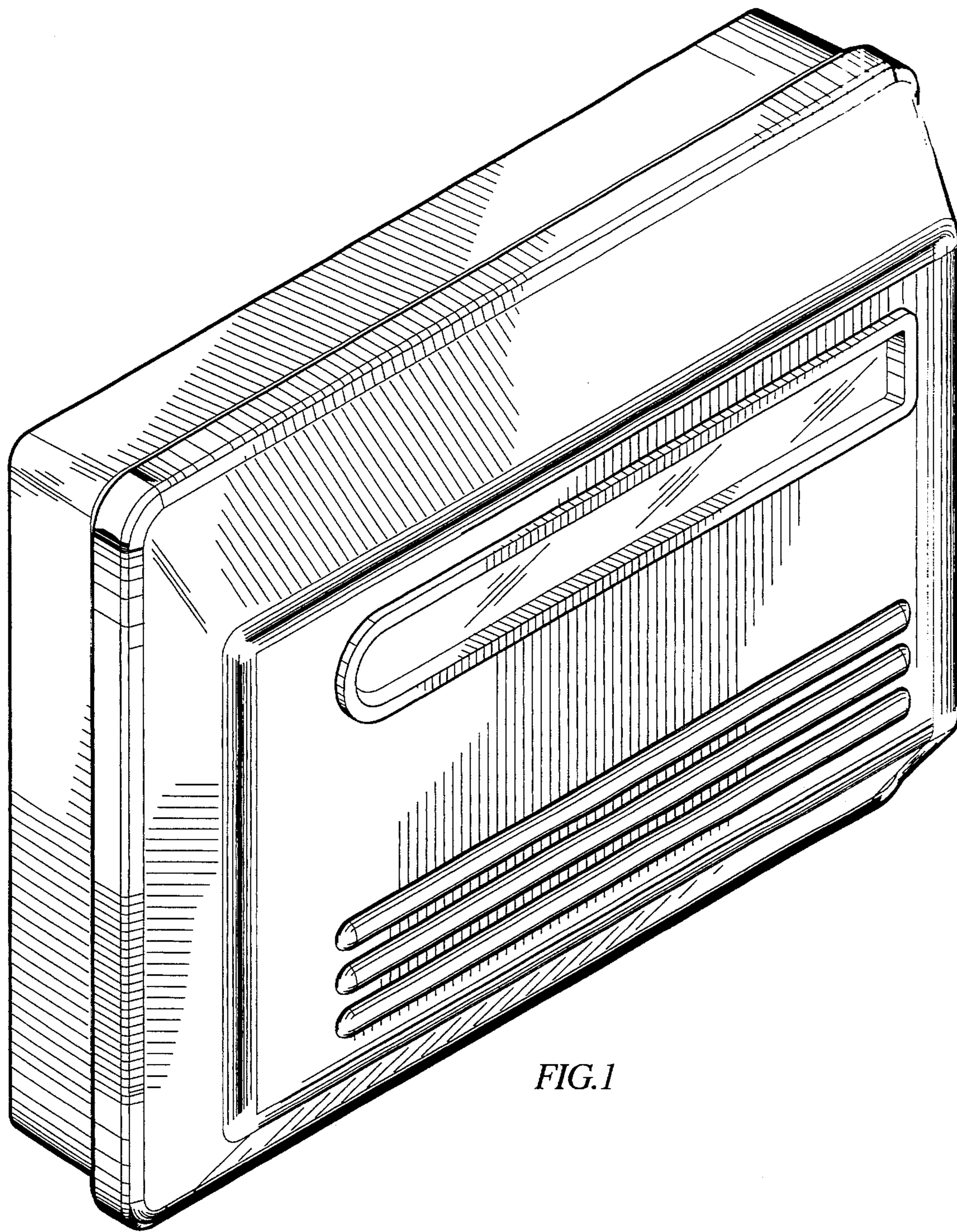


FIG. 1

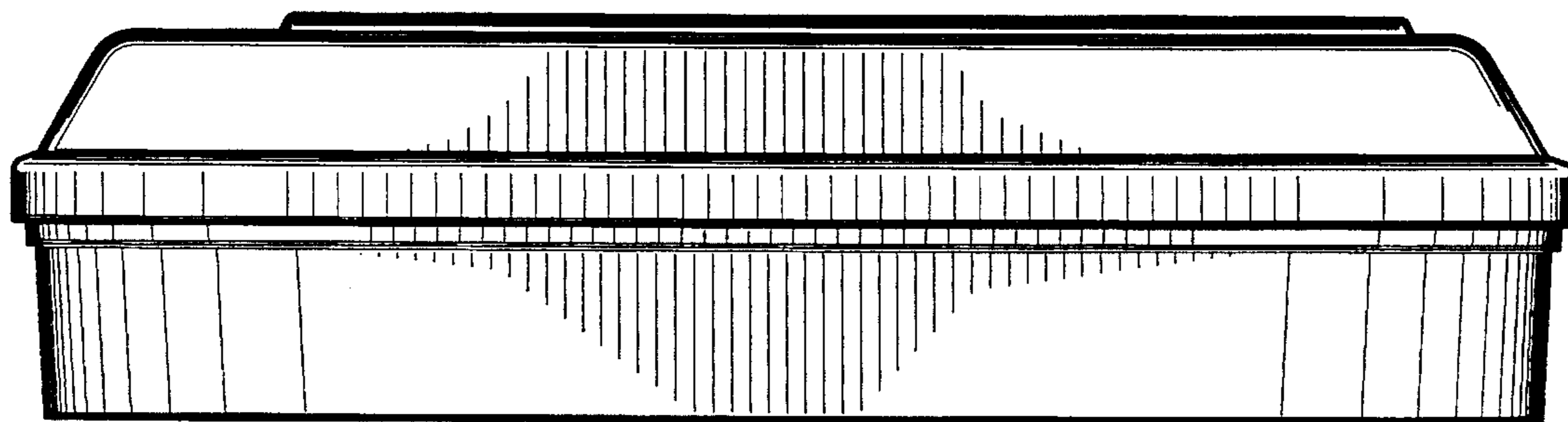


FIG. 3

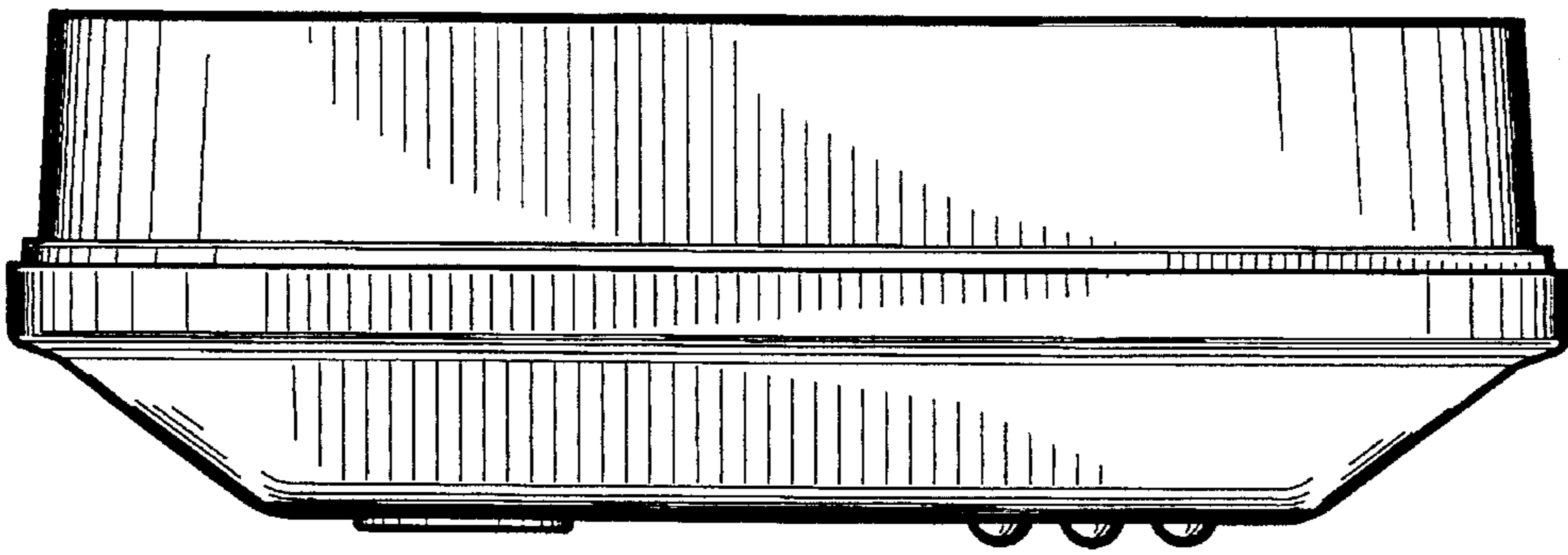


FIG. 2

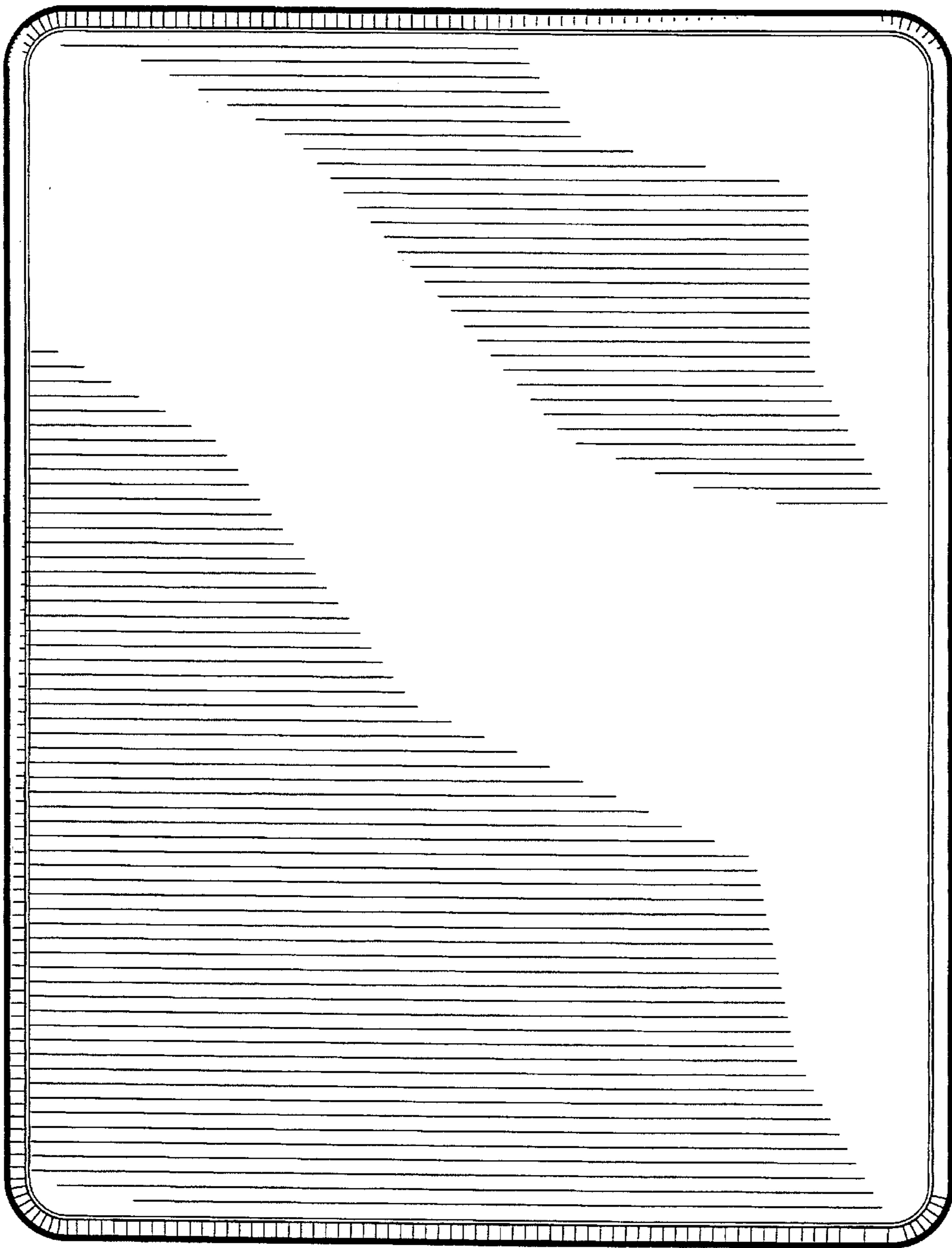


FIG. 4