



US00D374672S

# United States Patent [19]

**Bennett**

[11] **Patent Number: Des. 374,672**

[45] **Date of Patent: \*\*Oct. 15, 1996**

[54] **TV-REMOTE CONTROLLER**

[76] **Inventor: Howard W. Bennett, P.O. Box 134, Prosperity, W. Va. 25909-0134**

[\*\*] **Term: 14 Years**

[21] **Appl. No.: 34,263**

[22] **Filed: Jan. 31, 1995**

[52] **U.S. Cl. .... D14/218**

[58] **Field of Search ..... D10/104, 106; D13/168; D14/124, 217, 218, 299; D21/48; 348/734; 455/151.1-151.4, 352, 355, 153.1, 153.2, 179.1**

[56] **References Cited**

**U.S. PATENT DOCUMENTS**

D. 186,075	9/1959	Ford, II	.....	D13/168
D. 349,526	8/1994	Nakanishi	.....	D21/48
D. 358,152	5/1995	Ito et al.	.....	D14/218
3,984,779	10/1976	Hughes	.....	455/153.2
4,114,098	9/1978	Booty	.....	455/153.1

4,193,120	3/1980	Yello	.....	455/179
4,305,155	12/1981	Romeo	.....	455/153.1
4,389,731	6/1983	Wu	.....	455/153.1

*Primary Examiner*—Sandra L. Morris  
*Attorney, Agent, or Firm*—Harpman & Harpman

[57] **CLAIM**

The ornamental design for a tv-remote controller, as shown and described.

**DESCRIPTION**

FIG. 1 is a front, top and side perspective view of the tv-remote controller embodying the design of the present invention;

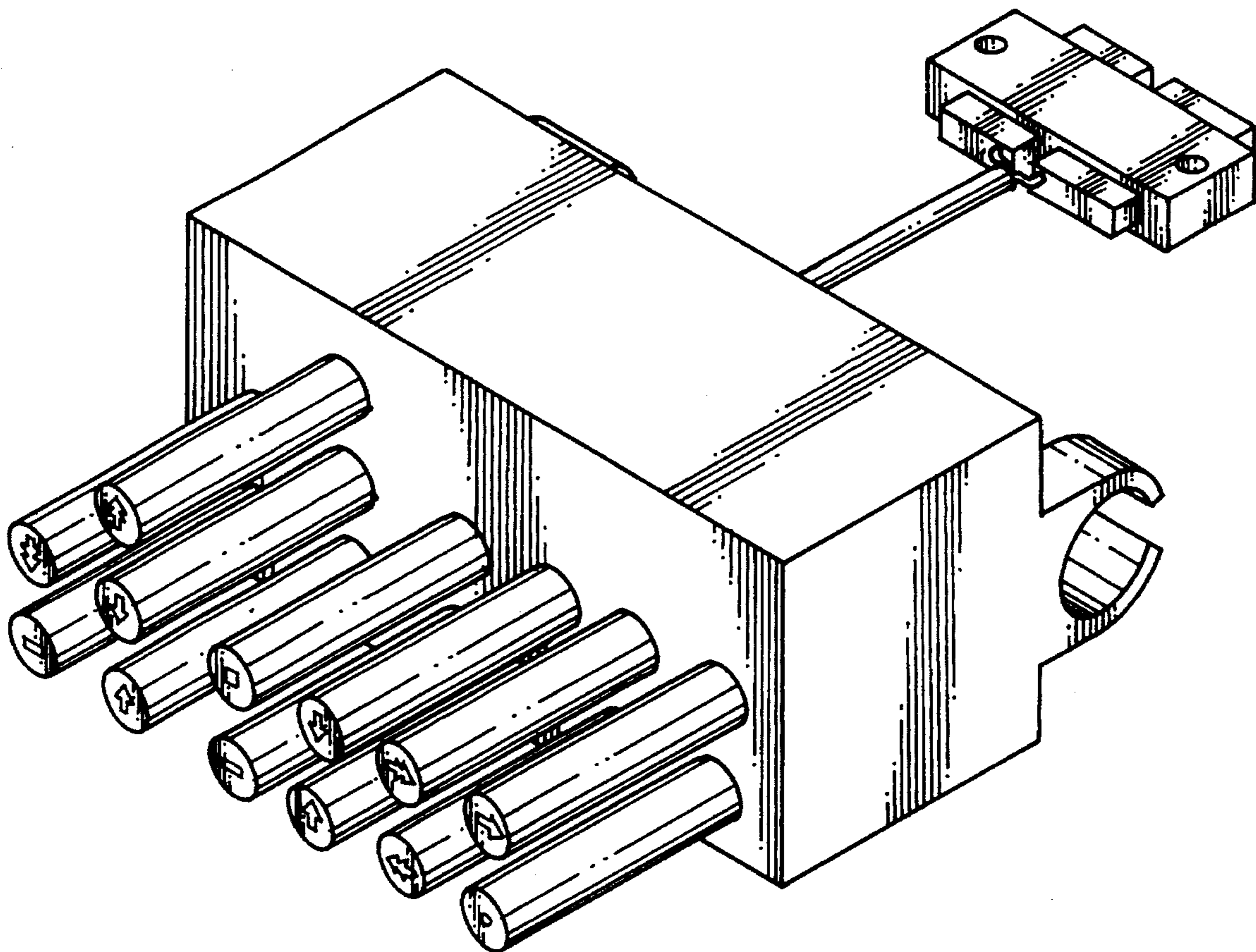
FIG. 2 is a side elevational view thereof, the side opposite being a mirror image of the side shown in FIG. 2;

FIG. 3 is a front elevational view thereof;

FIG. 4 is a rear elevational view thereof;

FIG. 5 is a bottom plan view thereof.

**1 Claim, 3 Drawing Sheets**



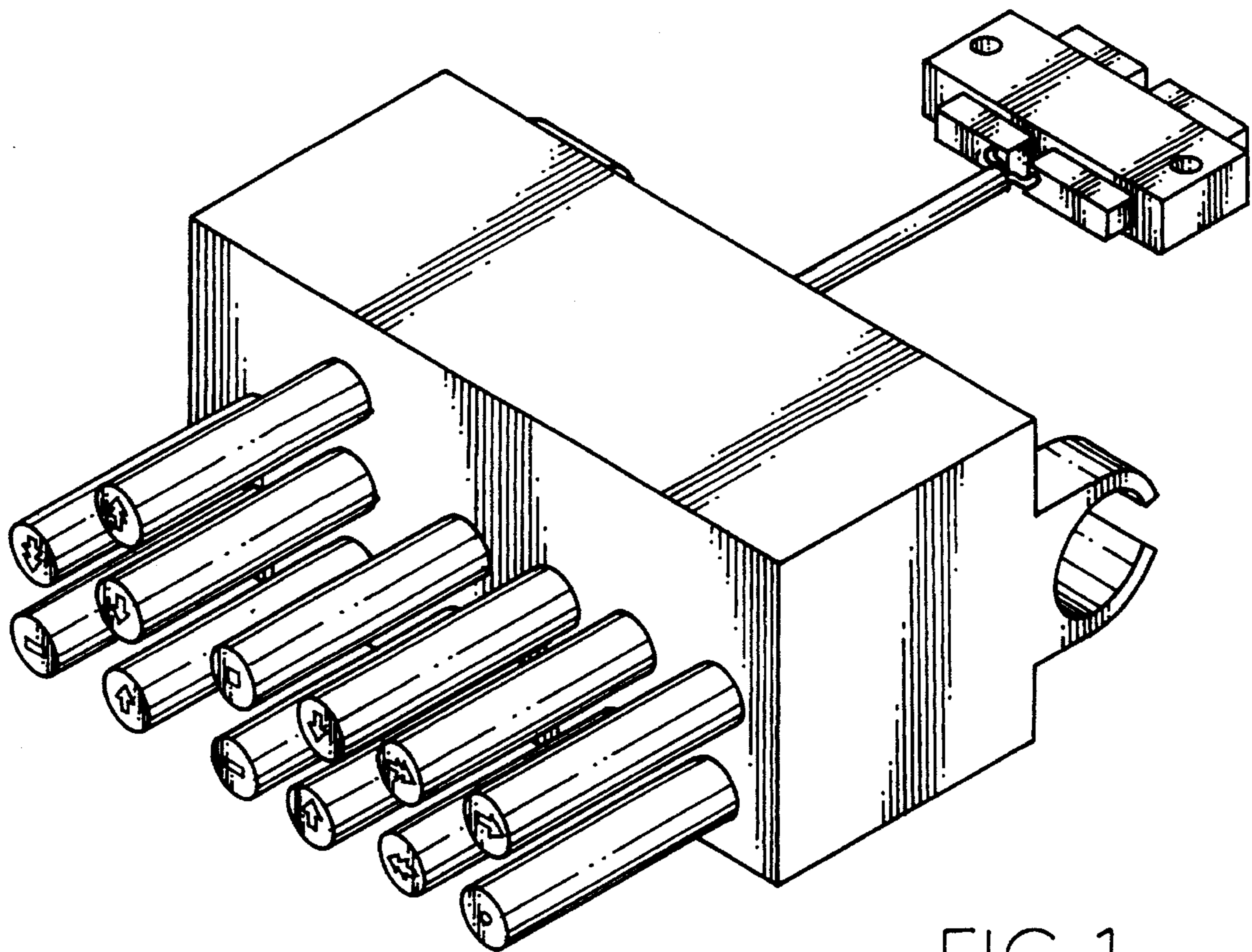
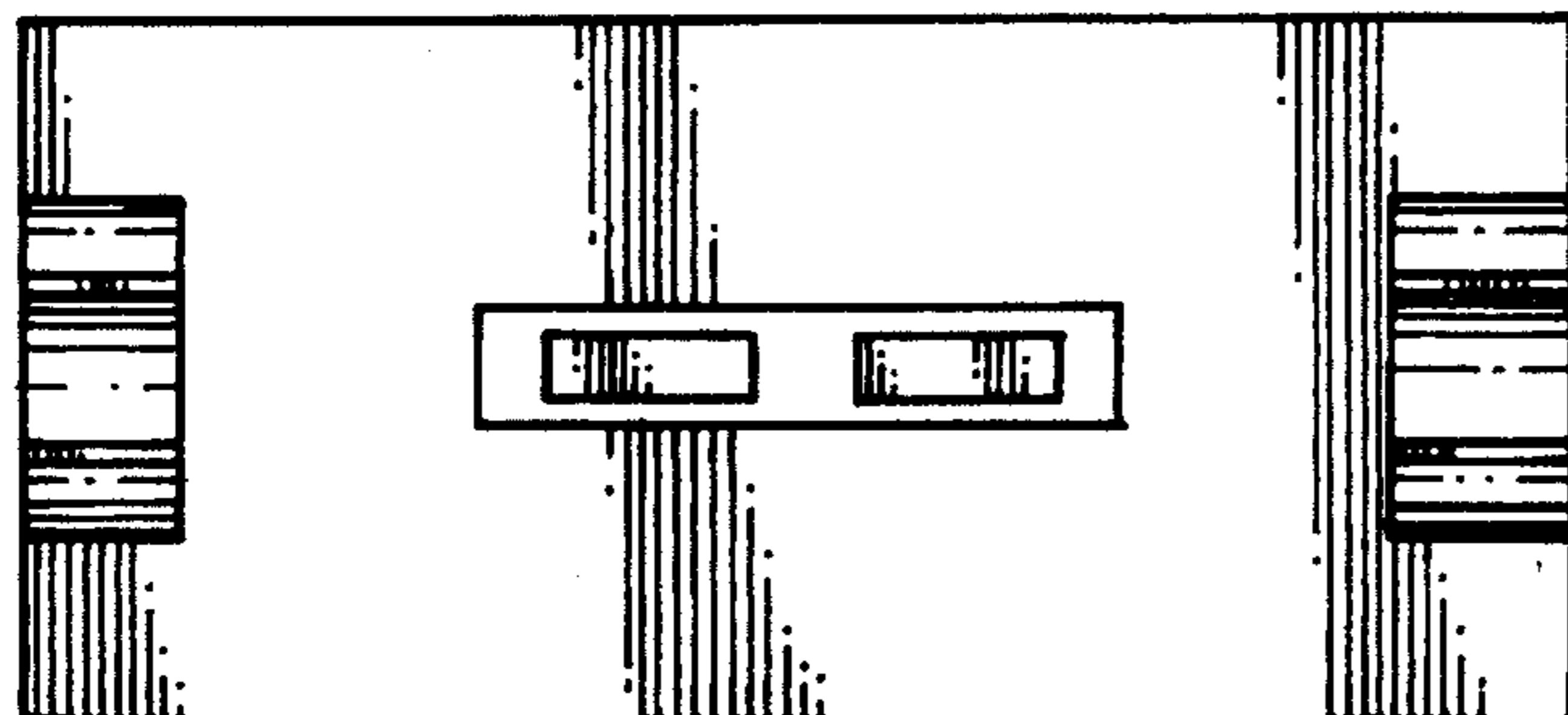
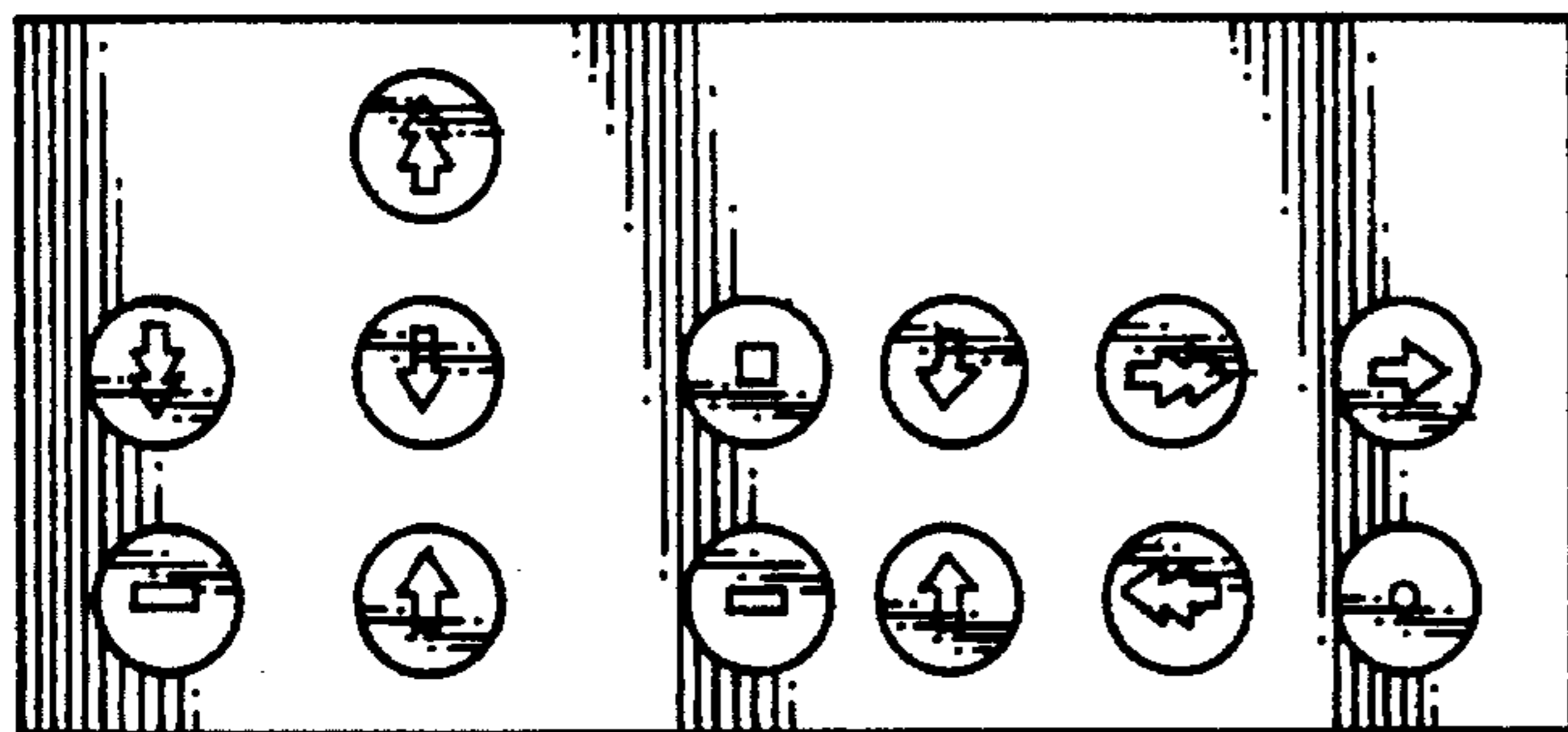
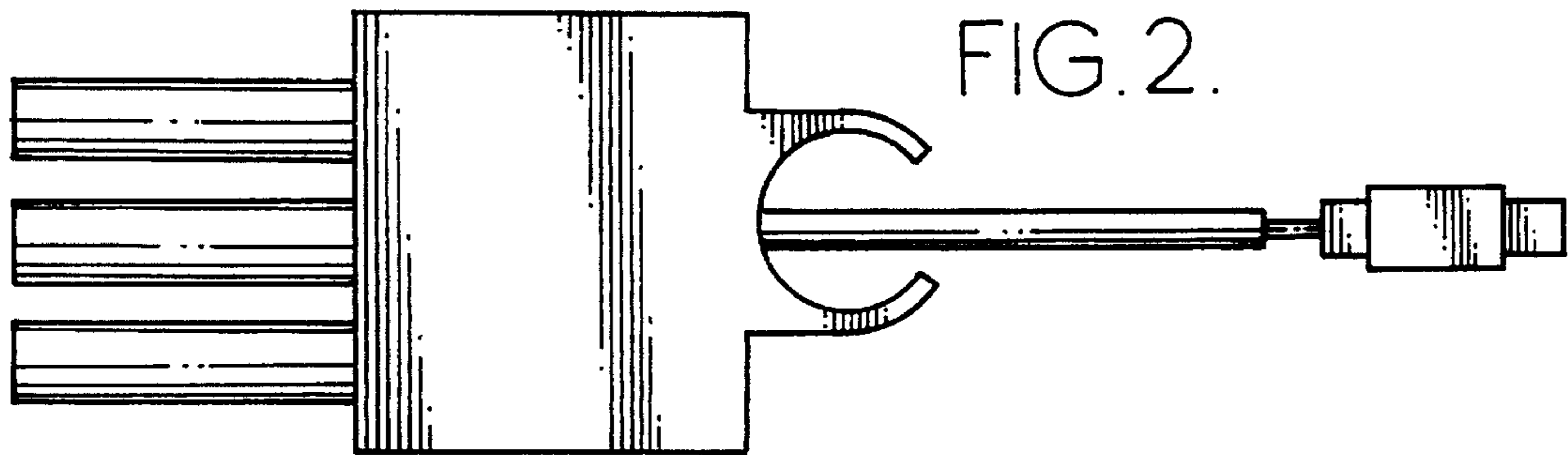


FIG. 1.



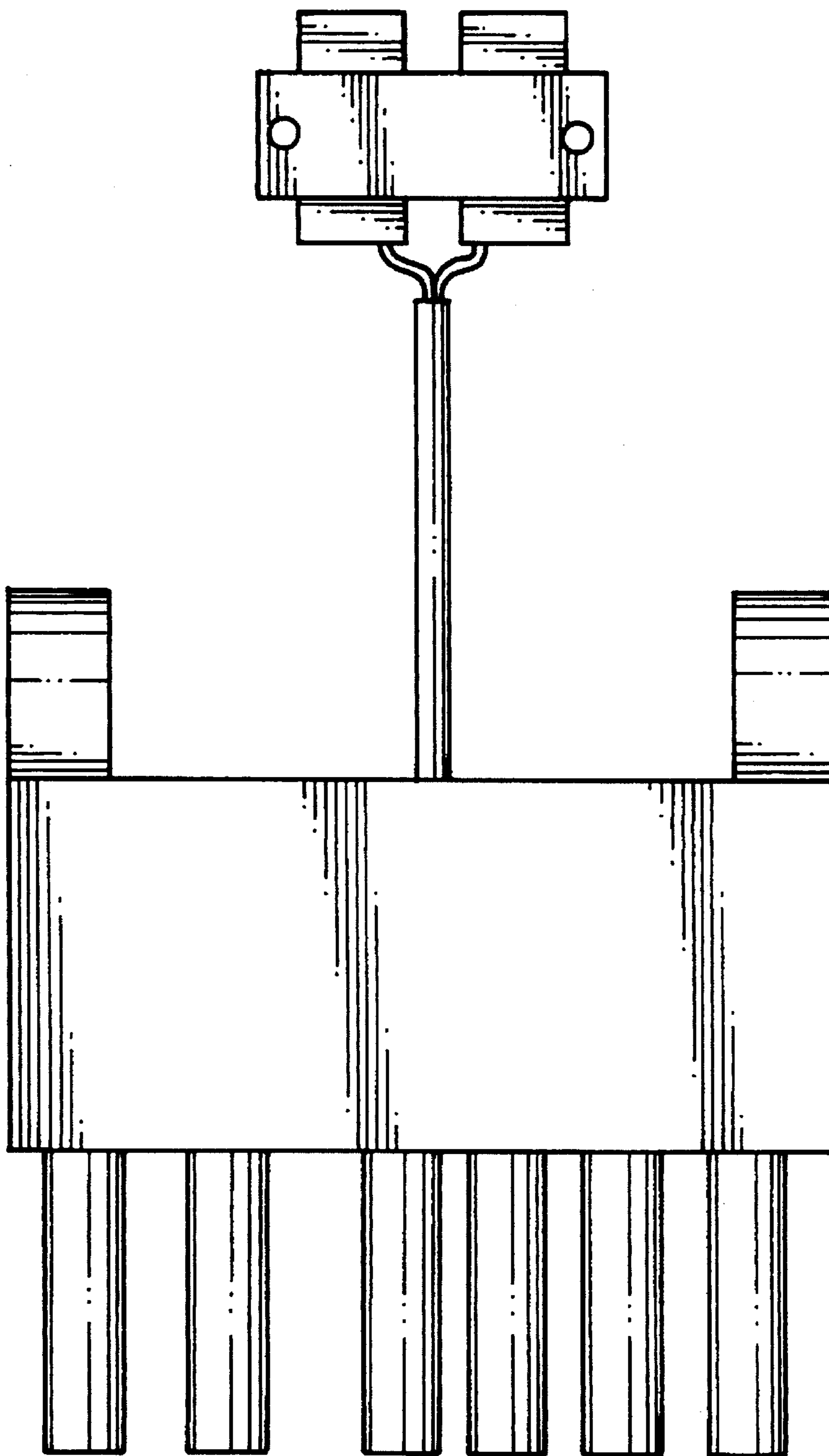


FIG. 5.