



US00D374669S

# United States Patent [19]

Suzuki et al.

[11] Patent Number: **Des. 374,669**

[45] Date of Patent: **\*\*Oct. 15, 1996**

[54] **PAGER**

[75] Inventors: **Masataka Suzuki; Keigo Kawasaki**,  
both of Tokyo, Japan

[73] Assignee: **NEC Corporation**, Tokyo, Japan

[\*\*] Term: **14 Years**

[21] Appl. No.: **44,715**

[22] Filed: **Sep. 29, 1995**

[30] **Foreign Application Priority Data**

Mar. 30, 1995 [JP] Japan ..... 7-9000

[52] **U.S. Cl.** ..... **D14/191**

[58] **Field of Search** ..... D14/124, 191,  
D14/192, 299; 340/311.1; 455/38.1-38.4,  
90, 92, 100, 343

[56] **References Cited**

**U.S. PATENT DOCUMENTS**

- D. 353,593 12/1994 Hayasaka et al. .... D14/191
- D. 353,816 12/1994 Davis et al. .... D14/191
- D. 359,736 6/1995 Ishibashi et al. .... D14/191

**OTHER PUBLICATIONS**

Motorola's "FlightPage", 1 sheet, 1993.  
Uniden's "XLT", 1 sheet, 1993.

*Primary Examiner*—Sandra L. Morris  
*Assistant Examiner*—Nanda Bondade  
*Attorney, Agent, or Firm*—Sughrue, Mion, Zinn, Macpeak & Seas

[57] **CLAIM**

The ornamental design for a pager, as shown.

**DESCRIPTION**

FIG. 1 is a perspective view of the top, front and right side of a pager showing our new design;  
FIG. 2 is a front elevational view thereof;  
FIG. 3 is a rear elevational view thereof;  
FIG. 4 is a right side elevational view thereof;  
FIG. 5 is a left side elevational view thereof;  
FIG. 6 is a top plan view thereof; and,  
FIG. 7 is a bottom plan view thereof.

**1 Claim, 2 Drawing Sheets**

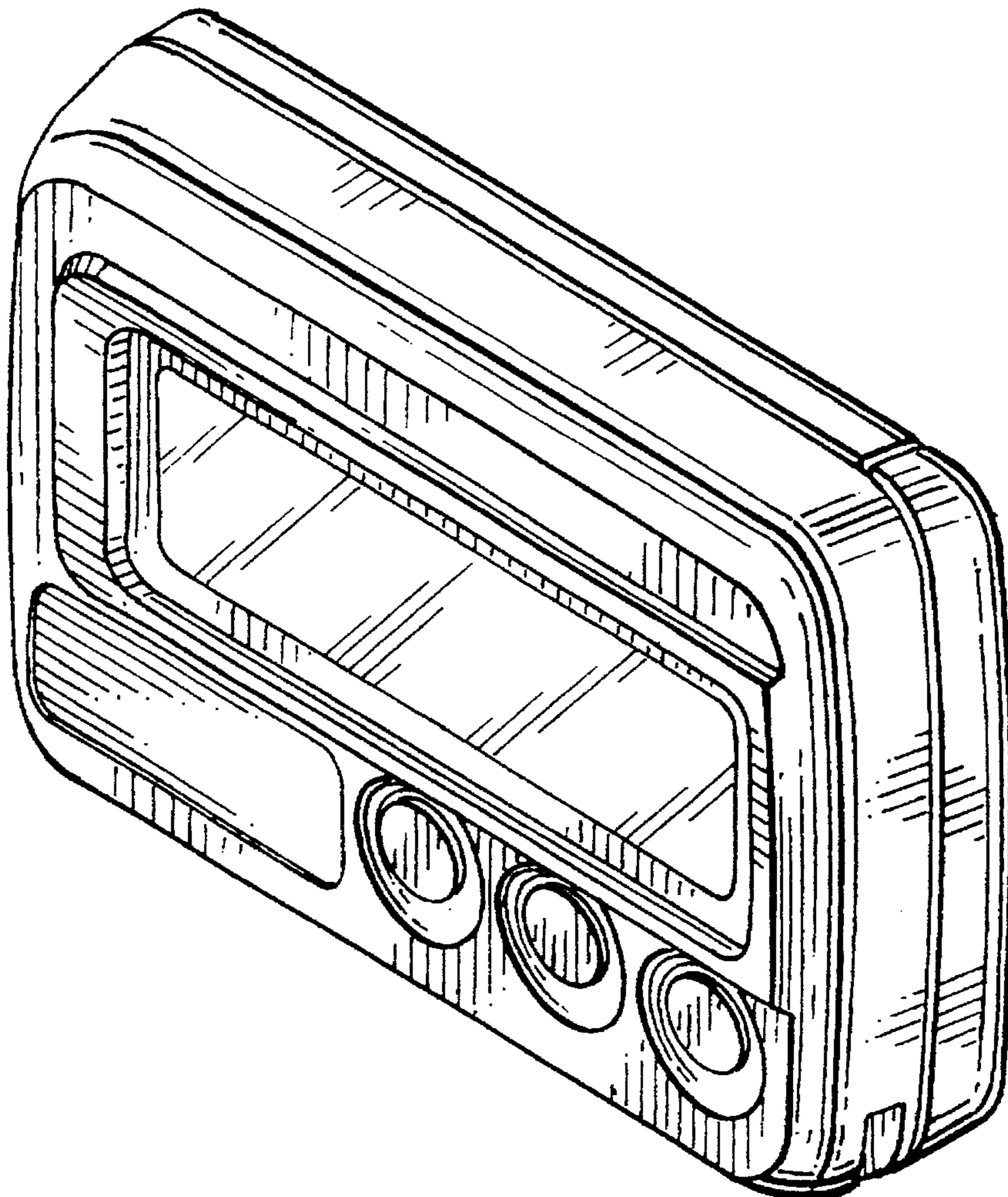


FIG. 1

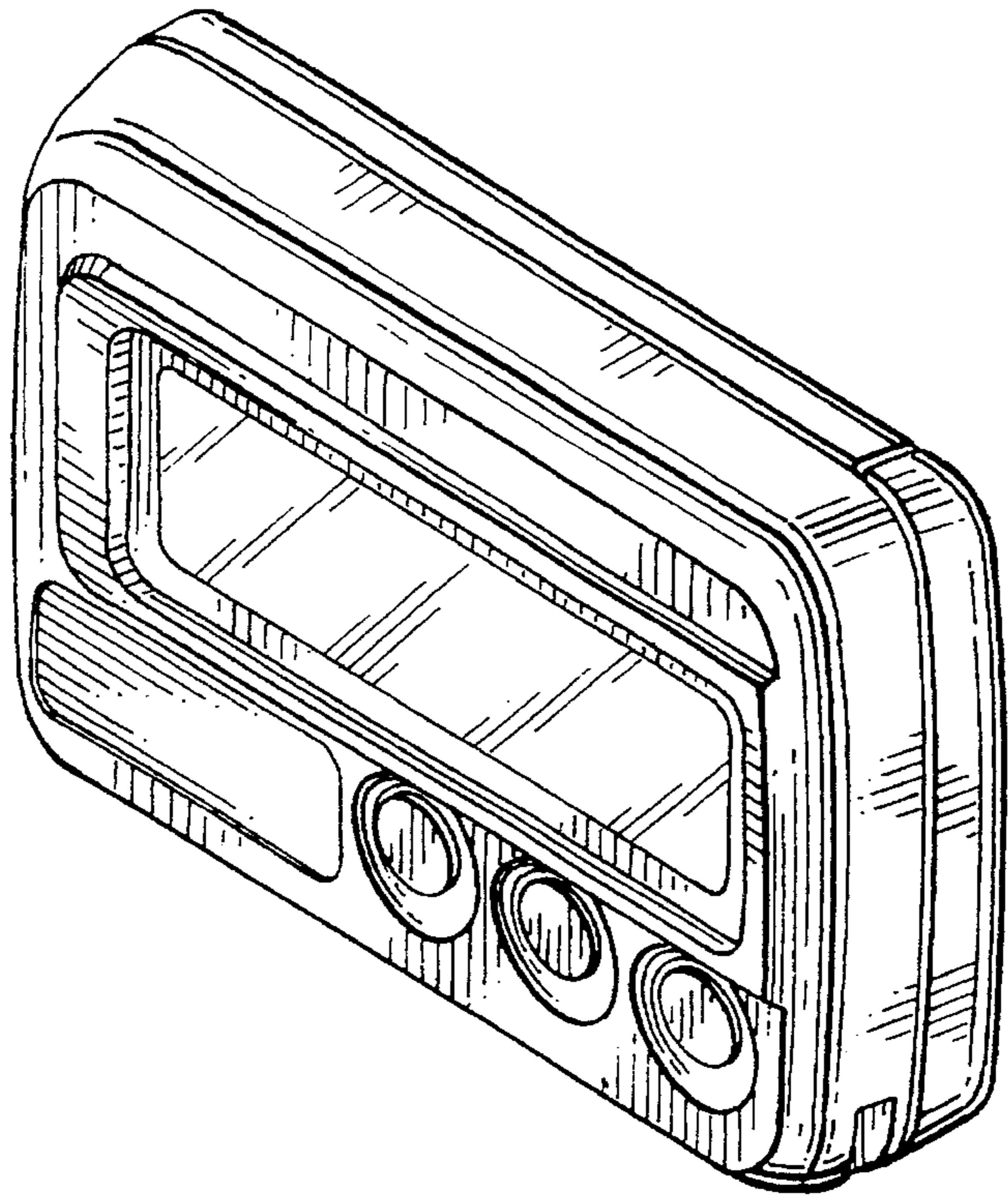


FIG. 2

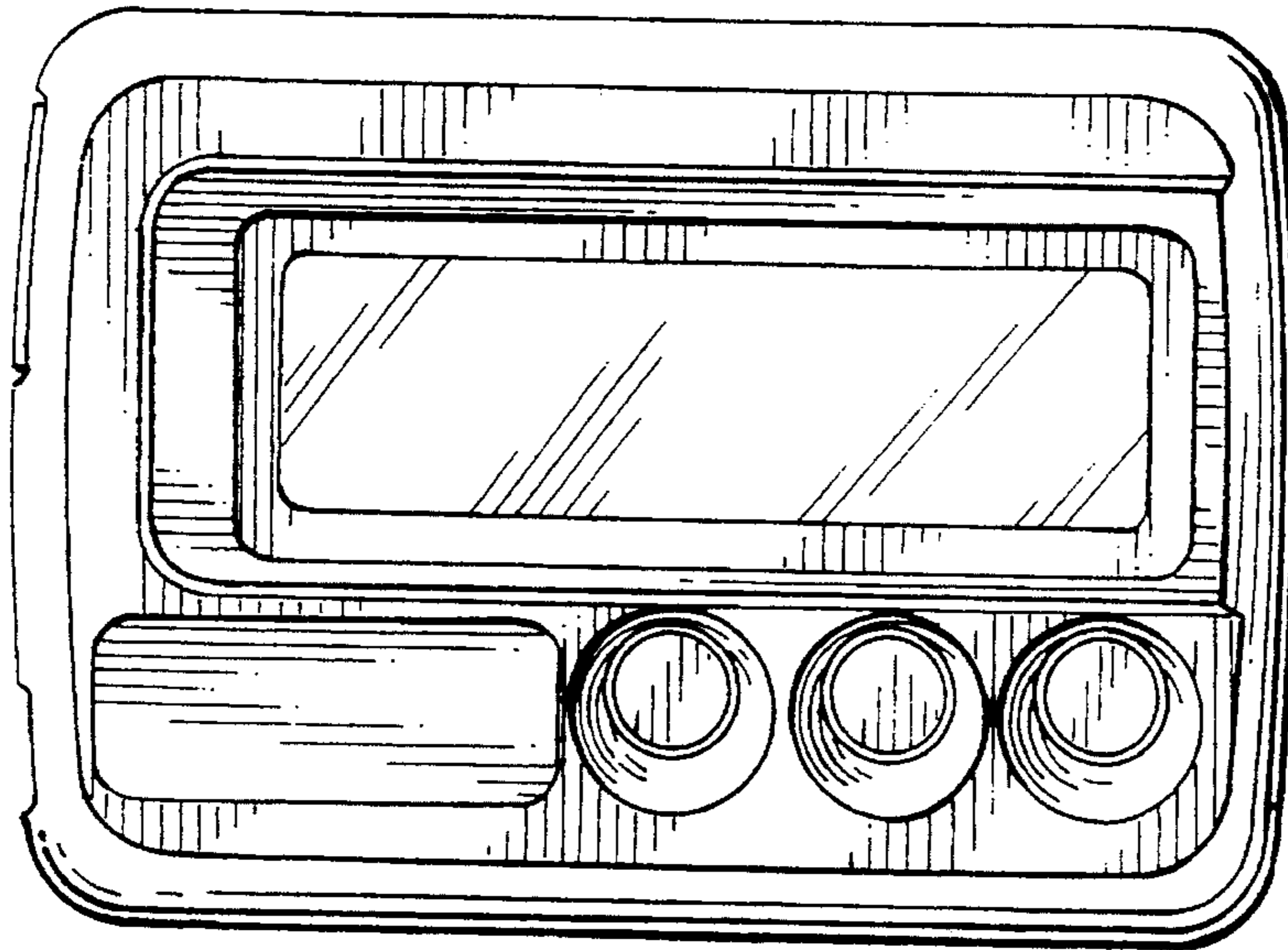


FIG. 6

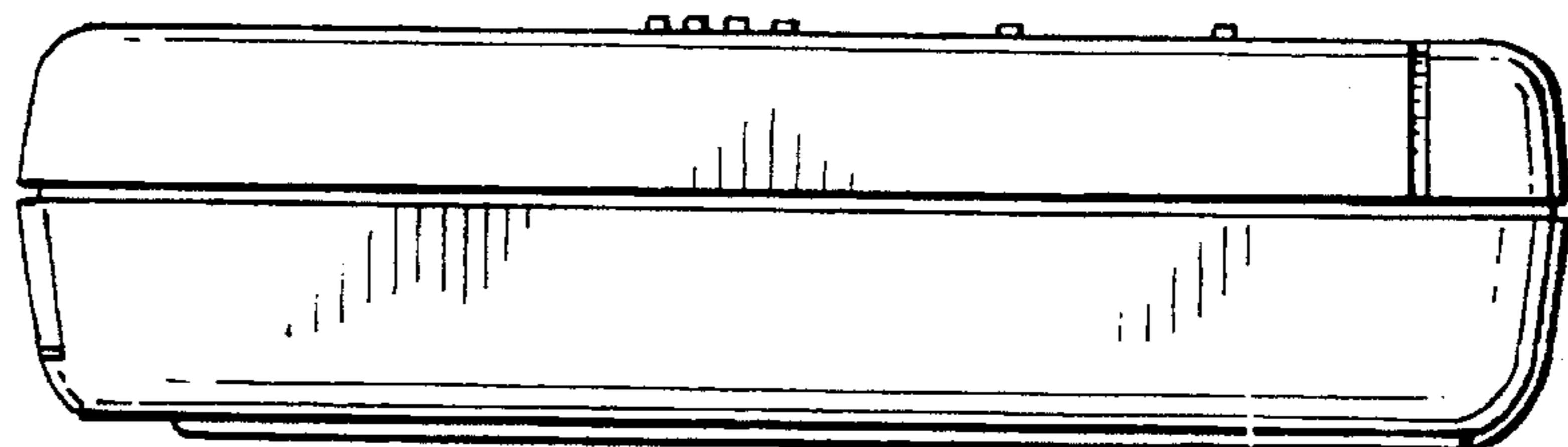


FIG. 3

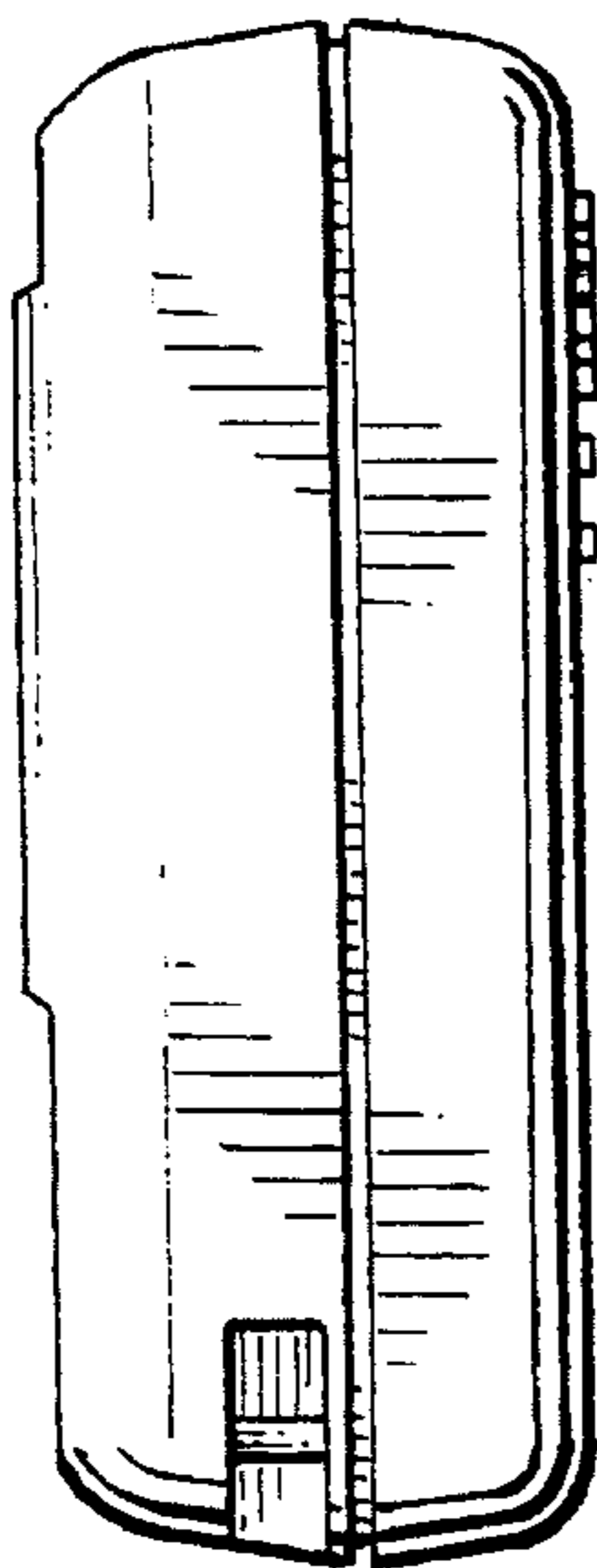
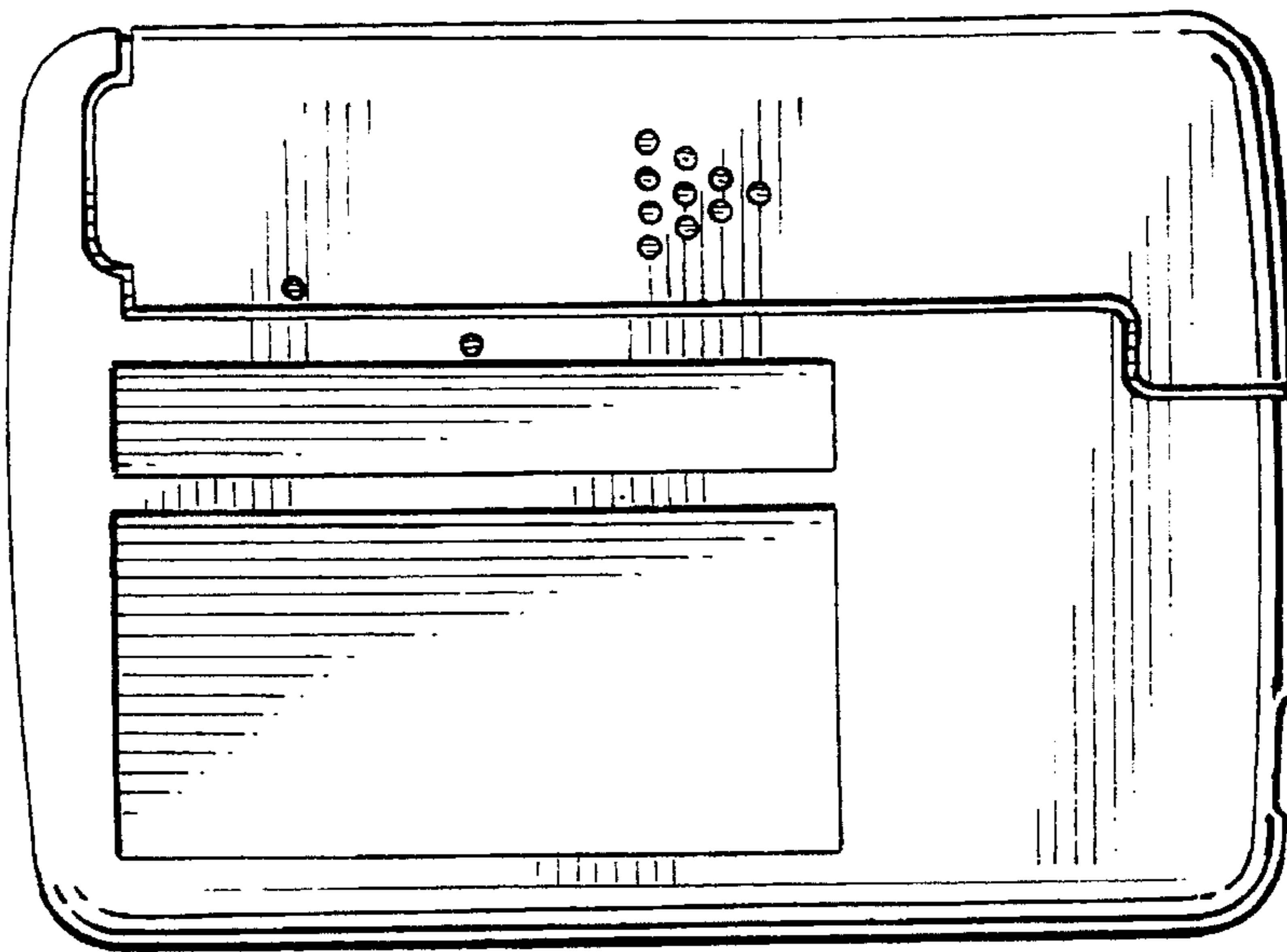


FIG. 4

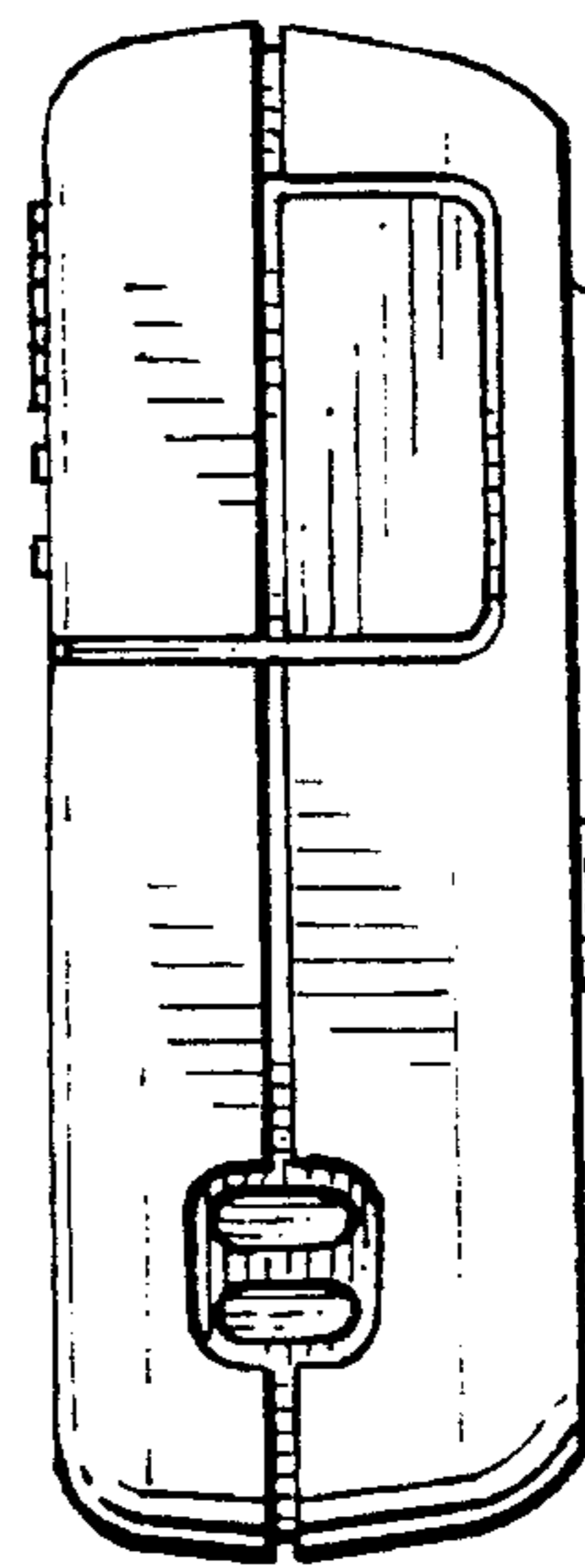


FIG. 5

FIG. 7

