



US00D374668S

United States Patent [19]

Komamiya et al.

[11] Patent Number: **Des. 374,668**

[45] Date of Patent: ****Oct. 15, 1996**

[54] **PAGER**

[75] Inventors: **Yuko Komamiya; Mikiro Ichijima,**
both of Kanagawa, Japan

[73] Assignee: **Matsushita Electric Industrial Co.,**
Ltd., Osaka, Japan

[**] Term: **14 Years**

[21] Appl. No.: **32,930**

[22] Filed: **Jan. 3, 1995**

[30] Foreign Application Priority Data

Jul. 19, 1994 [JP] Japan 6-21765

[52] U.S. Cl. **D14/191**

[58] Field of Search D14/124, 188,
D14/191, 192, 299; 340/311.1; 455/38.1,
38.2, 38.3, 38.4, 90, 92, 100, 128, 344

[56] References Cited

U.S. PATENT DOCUMENTS

- D. 302,157 7/1989 Vories D14/188 X
- D. 303,669 9/1989 Hayasaka et al. D14/191
- D. 307,012 4/1990 Berkheij D14/191
- D. 325,579 4/1992 Bouhuys D14/191
- D. 339,348 9/1993 Kuroda et al. D14/191
- D. 361,333 8/1995 Scheid et al. D14/191

FOREIGN PATENT DOCUMENTS

6140981 5/1994 Japan 455/38.4

OTHER PUBLICATIONS

- "Vanguard 160 Synthesizer Display Pager", Panasonic, Jun., 1994, 2 pages.
- "Numeric Display Pager EP-20 Series", Panasonic, Jun., 1994, 2 pages.
- "Bravo Plus, The Numeric Display Pager", Motorola, Jun., 1994, 2 pages.

Primary Examiner—Sandra L. Morris
Assistant Examiner—Nanda Bondade
Attorney, Agent, or Firm—Sughrue, Mion, Zinn, Macpeak & Seas

[57] CLAIM

The ornamental design for a pager, as shown.

DESCRIPTION

FIG. 1 is a perspective view of the top, front and left side of a pager showing our new design;
FIG. 2 is a front elevational view thereof;
FIG. 3 is a rear elevational view thereof;
FIG. 4 is a left side elevational view thereof;
FIG. 5 is a right side elevational view thereof;
FIG. 6 is a top plan view thereof; and,
FIG. 7 is a bottom plan view thereof.

1 Claim, 5 Drawing Sheets

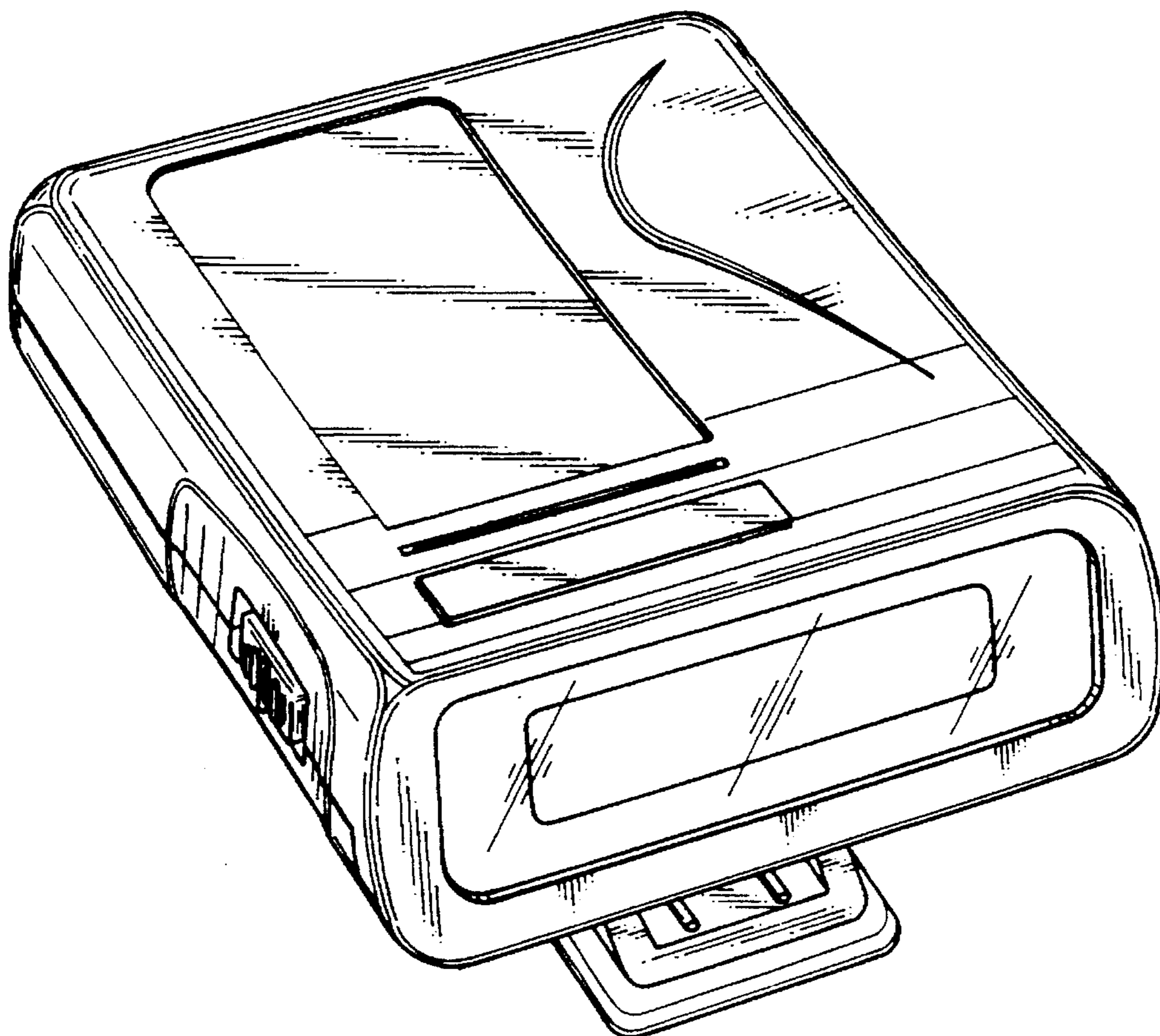


Fig. 1

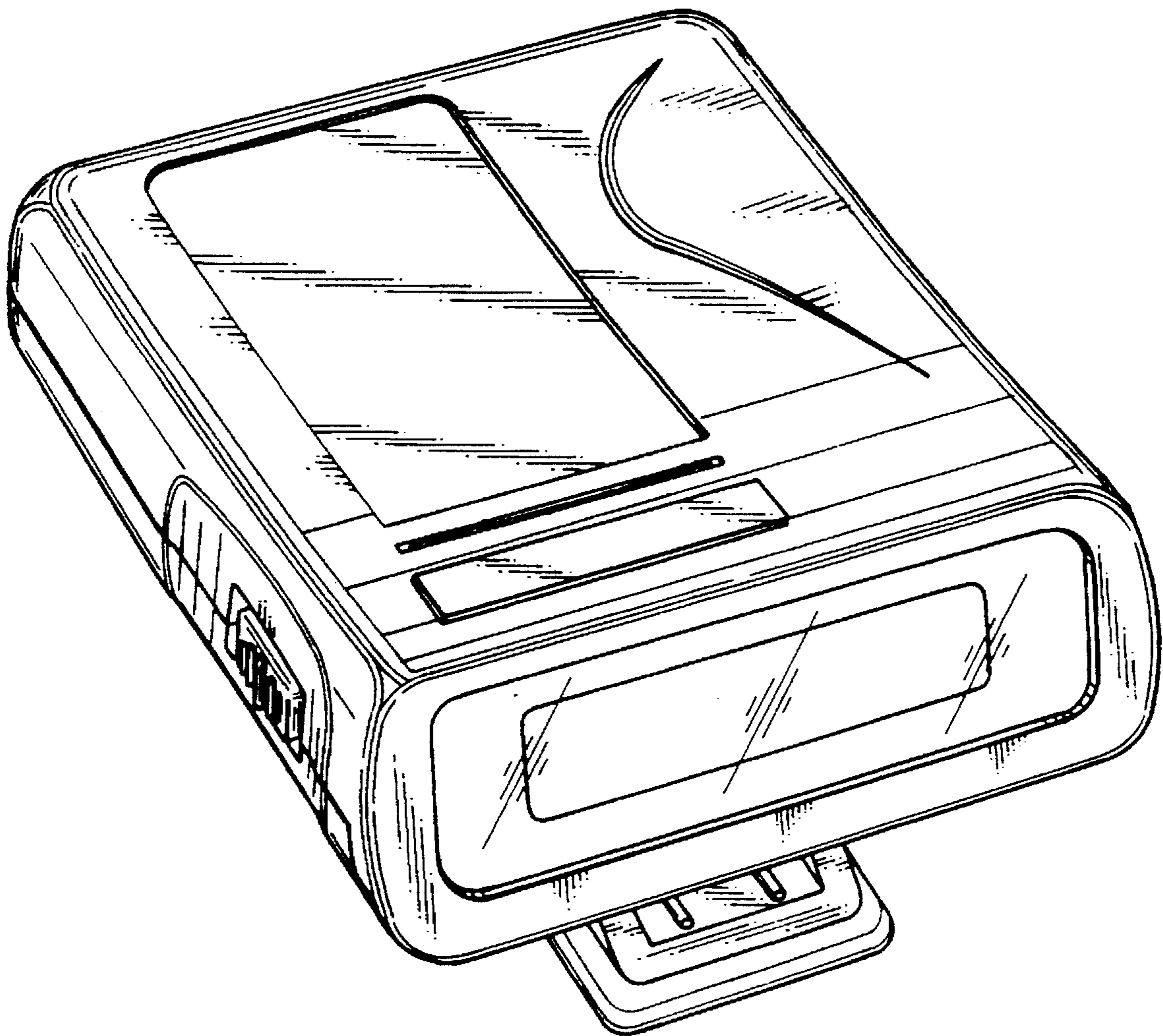


Fig. 2

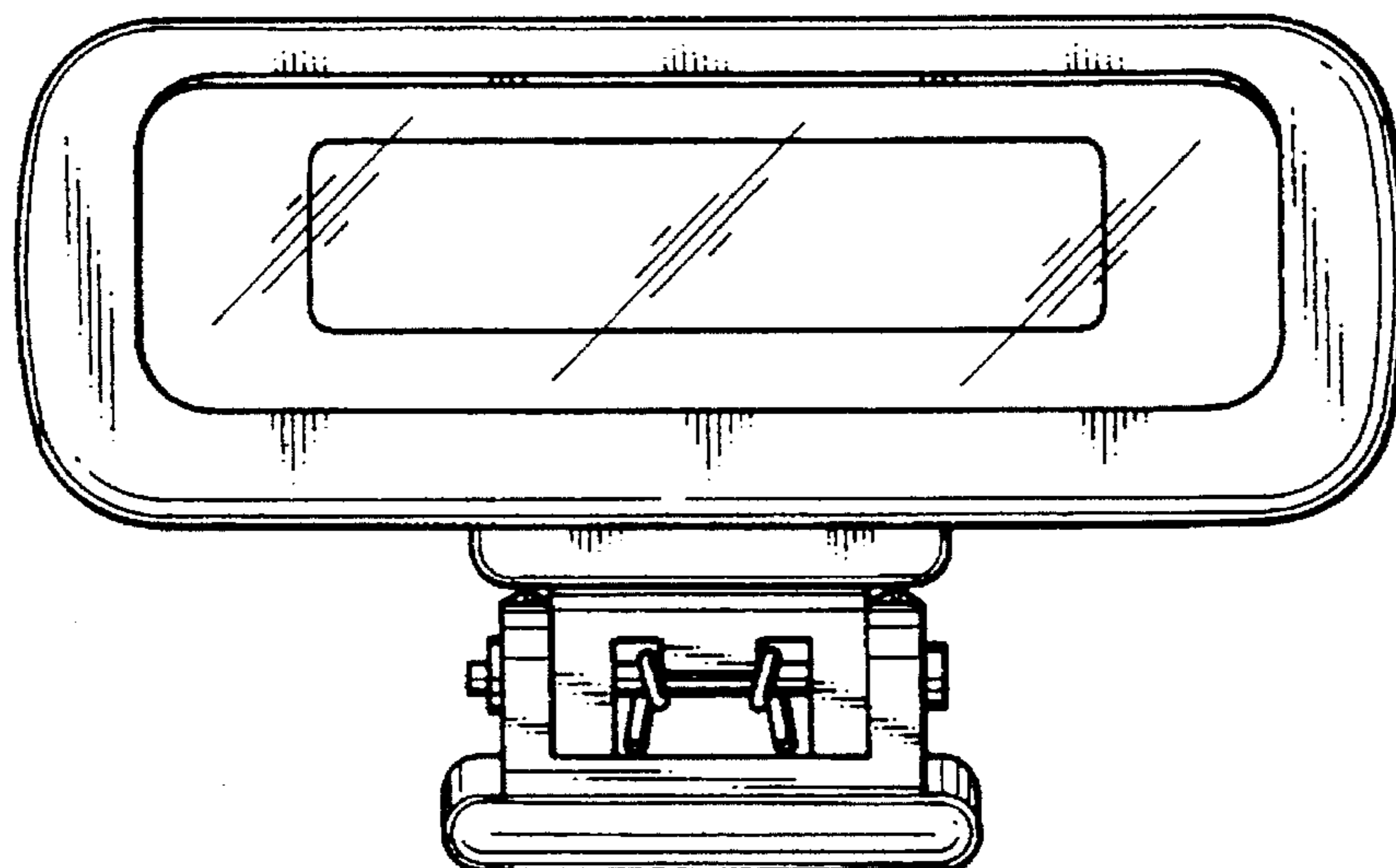


Fig. 3

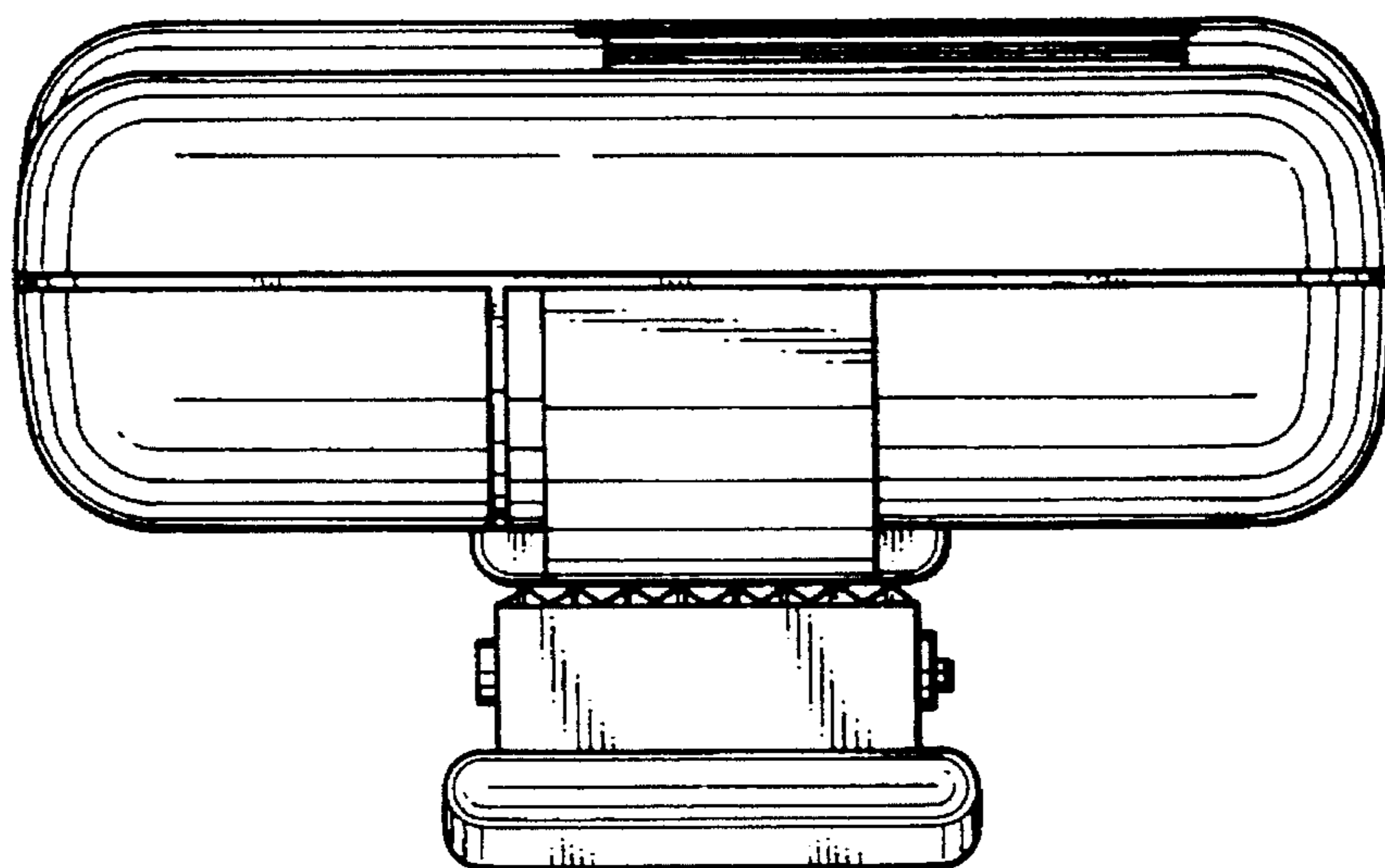


Fig. 4

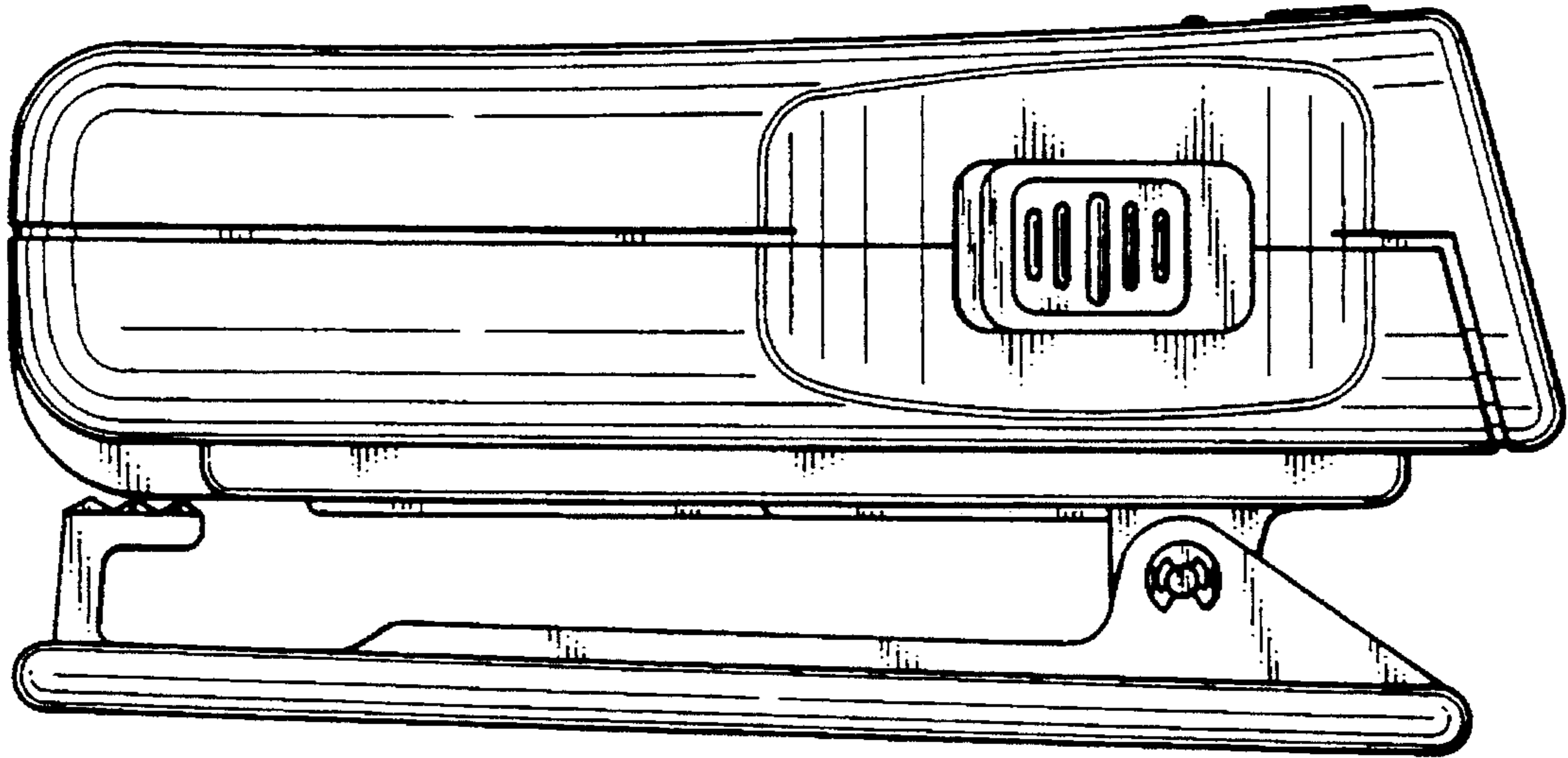


Fig. 5

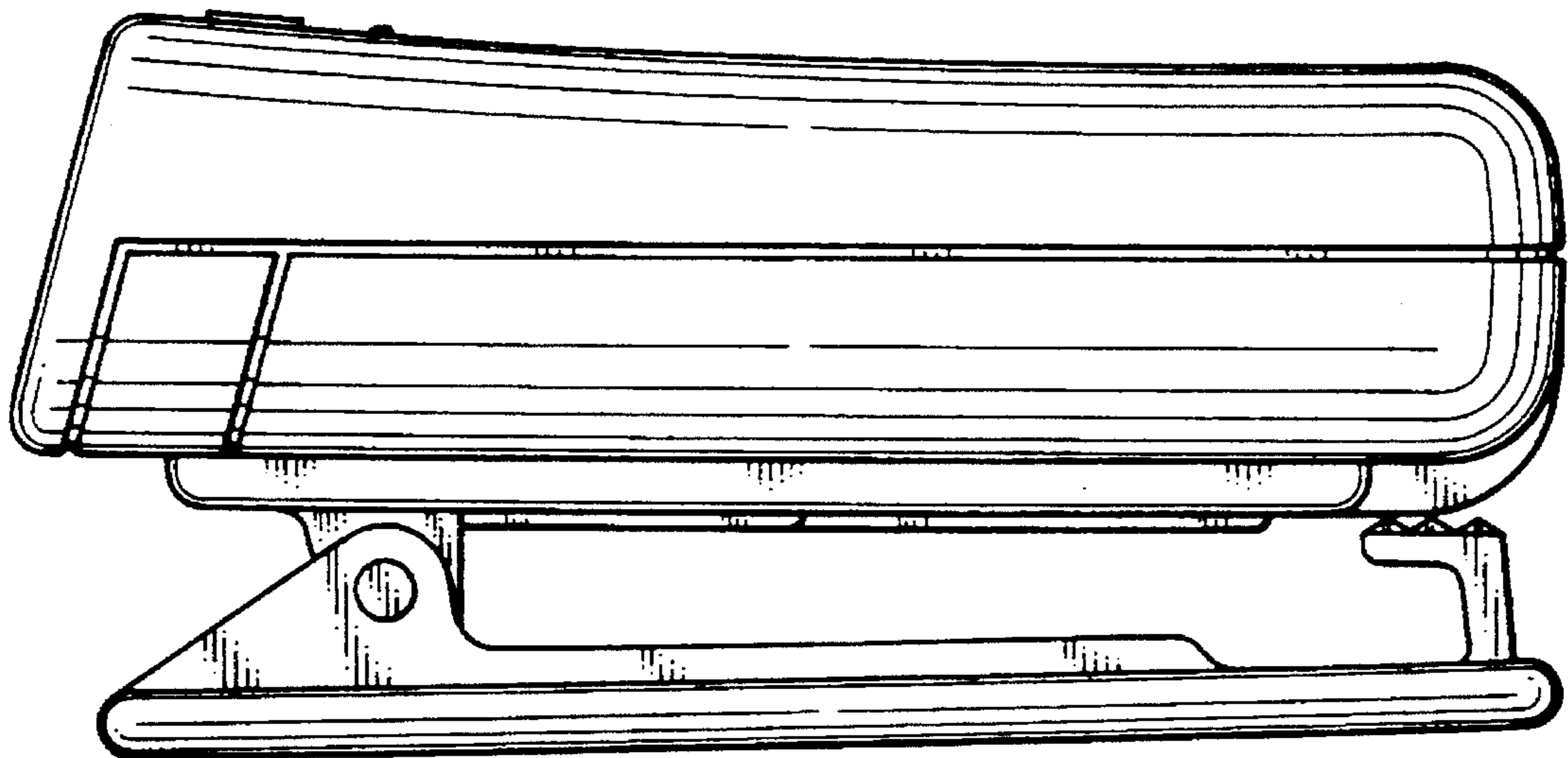


Fig. 6

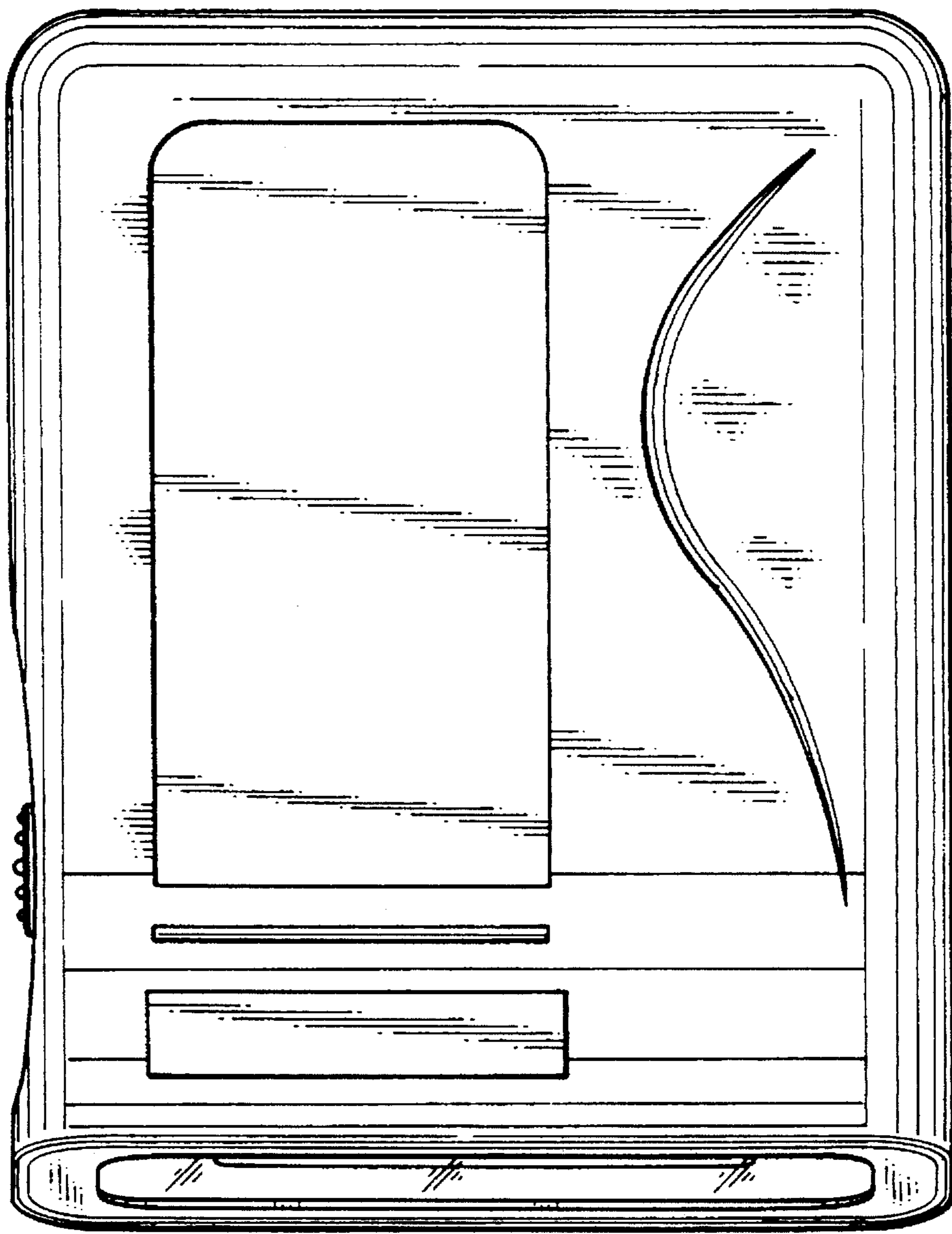


Fig. 7

