



US00D374660S

# United States Patent [19]

Holmes et al.

[11] Patent Number: **Des. 374,660**

[45] Date of Patent: **\*\*Oct. 15, 1996**

[54] **CONSOLE FOR AN ELECTRONIC DEVICE**

[75] Inventors: **Richard Holmes**, Nuneaton; **Bruce Renfrew**, Anstey, both of United Kingdom

[73] Assignee: **Virtuality (IP) Limited**, Leicester, United Kingdom

[\*\*] Term: **14 Years**

[21] Appl. No.: **41,435**

[22] Filed: **Jul. 14, 1995**

### [30] Foreign Application Priority Data

May 24, 1995 [GB] United Kingdom ..... 2047707

[52] U.S. Cl. .... **D14/100**

[58] Field of Search ..... D14/100, 101, D14/106, 115; D19/59, 60; D21/13, 48; 178/18, 19; 345/104, 156, 173, 160, 168, 167, 169; 361/680-686

### [56] References Cited

#### U.S. PATENT DOCUMENTS

D. 323,155 1/1992 Hino et al. .... D14/100

D. 350,373 9/1994 Chow et al. .... D19/60 X  
D. 359,984 7/1995 Mak ..... D14/100 X  
D. 363,511 10/1995 Hui ..... D19/60 X  
4,611,406 9/1986 Engstrom et al. .... D14/100 X  
5,250,930 10/1993 Yoshida et al. .... 345/173 X

*Primary Examiner*—Freda Nunn  
*Attorney, Agent, or Firm*—Young & Thompson

### [57] CLAIM

The ornamental design for a console for an electronic device, as shown and described.

### DESCRIPTION

FIG. 1 is a top plan view of a console for an electronic device showing our new device;

FIG. 2 is a side and top perspective view thereof;

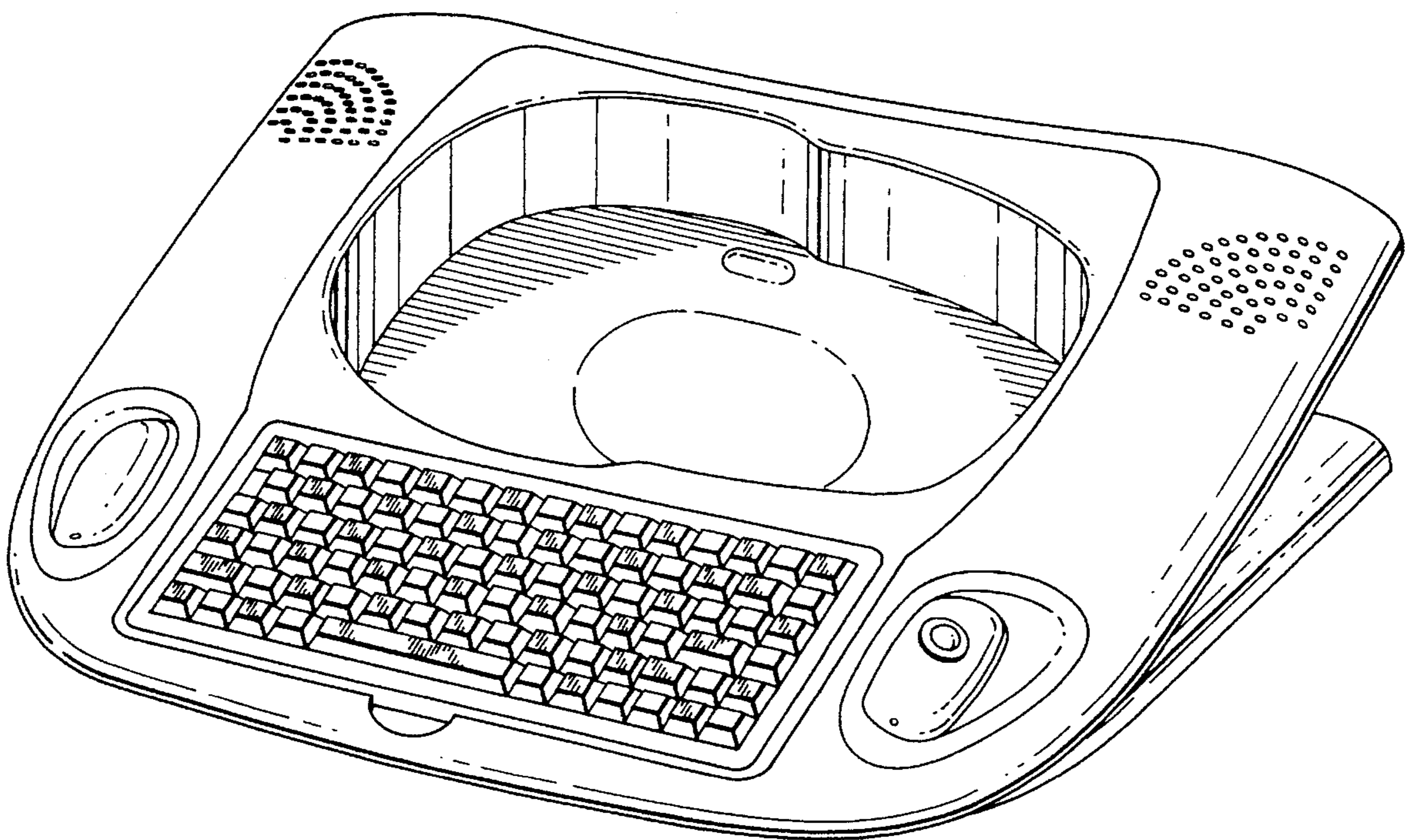
FIG. 3 is a rear elevational view thereof;

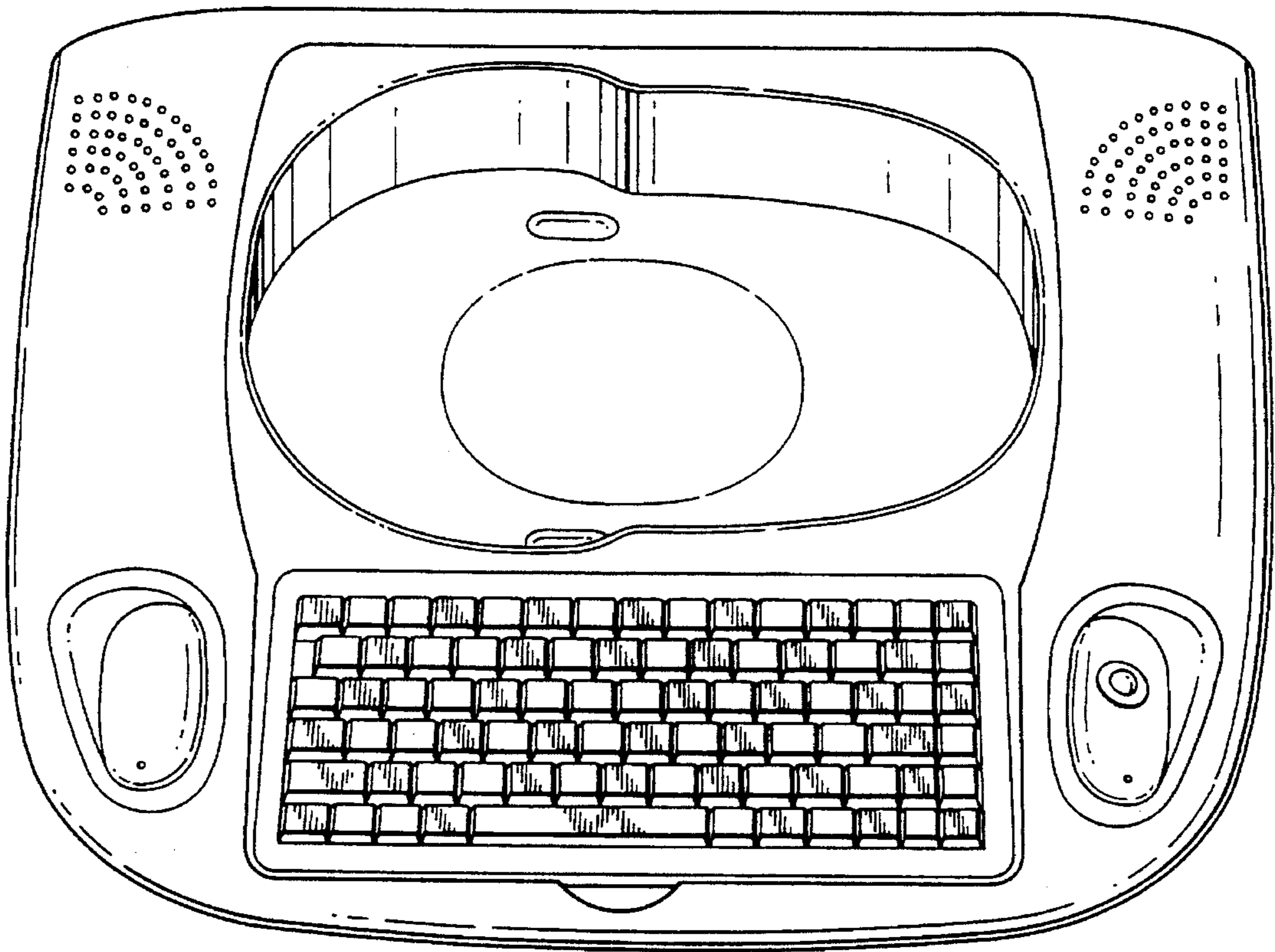
FIG. 4 is a bottom plan view thereof;

FIG. 5 is a top and side perspective view thereof from the side opposite that shown in FIG. 2; and,

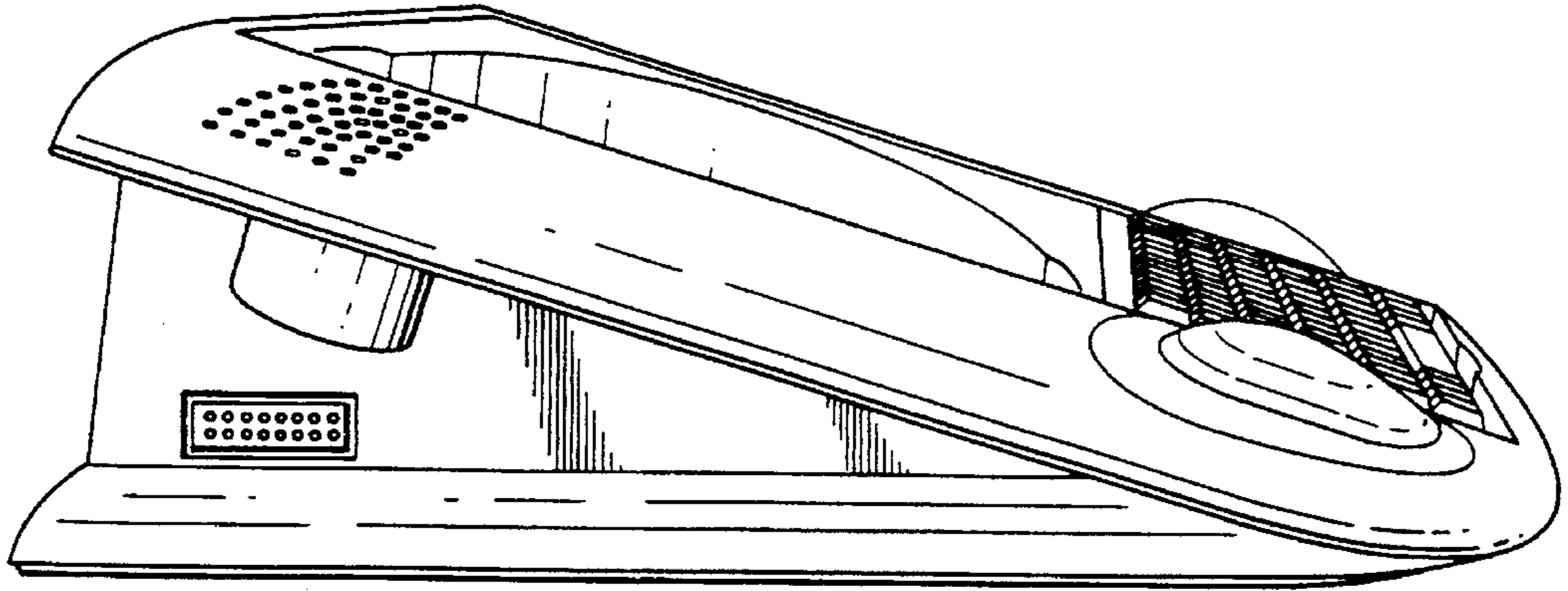
FIG. 6 is a perspective view thereof.

**1 Claim, 5 Drawing Sheets**

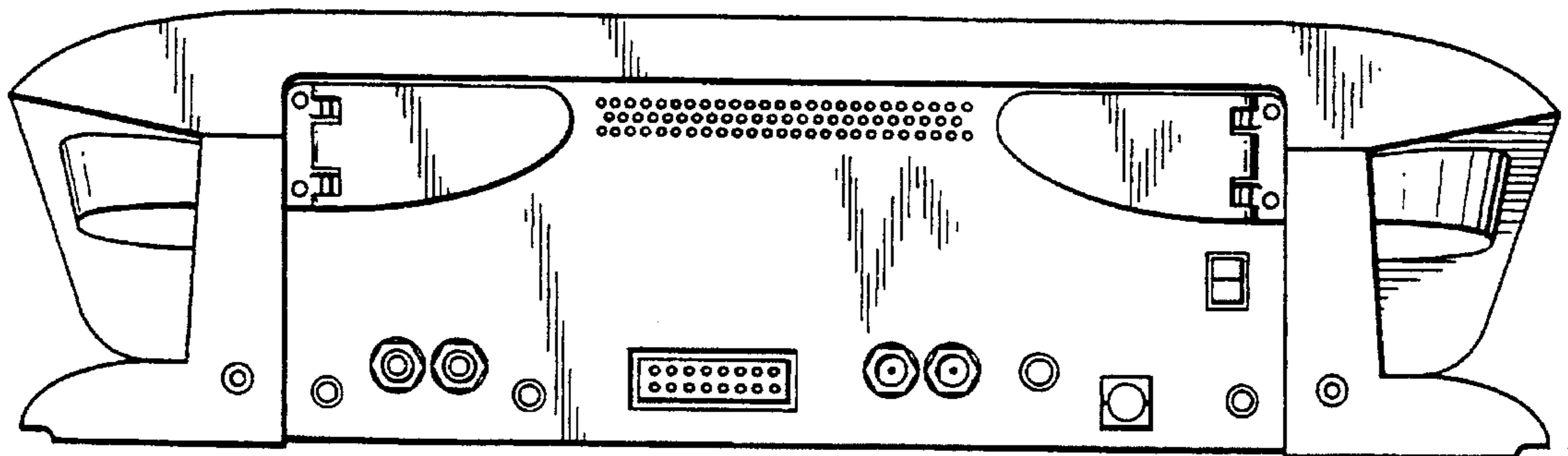




*Fig. 1*



*Fig. 2*



*Fig. 3*

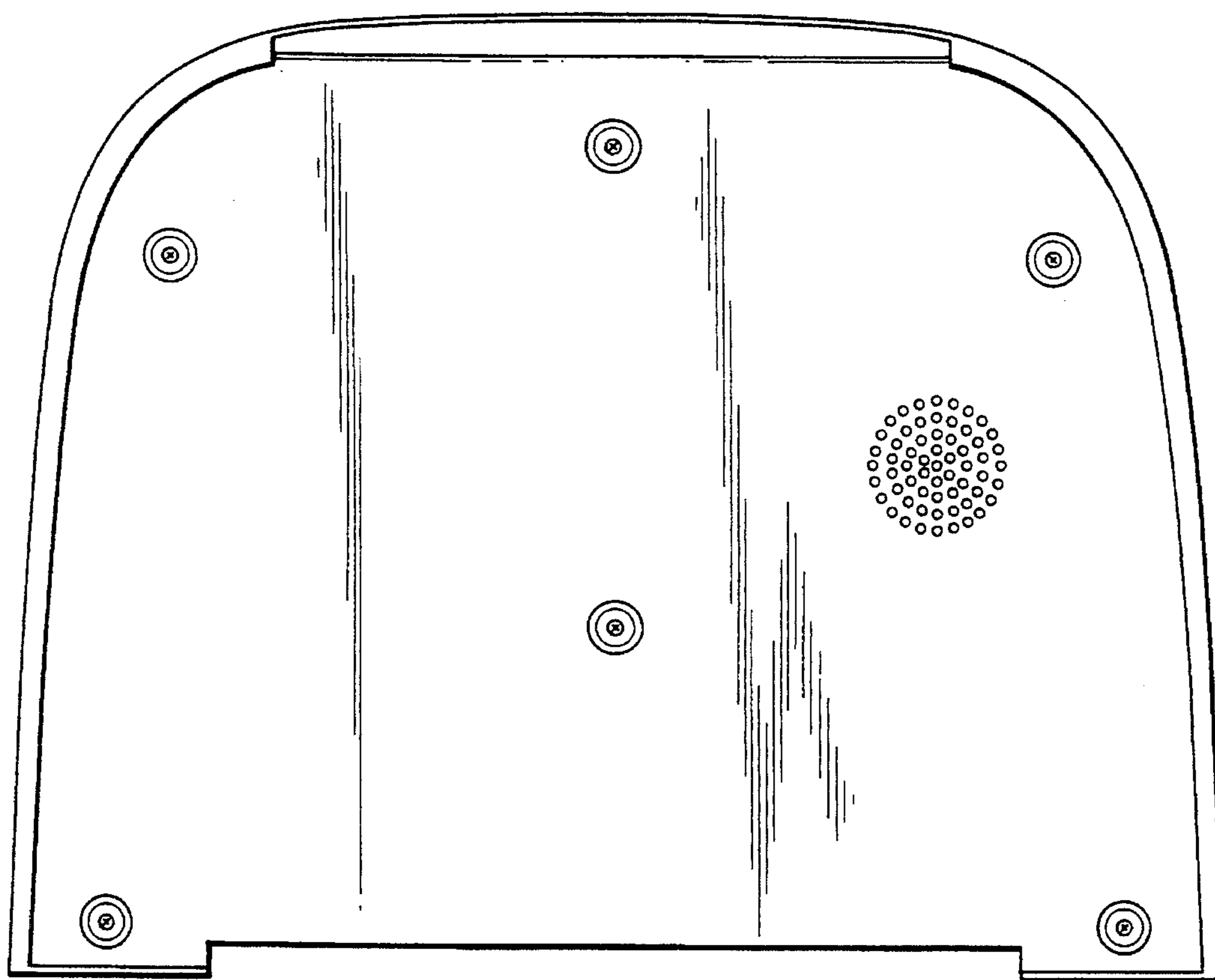
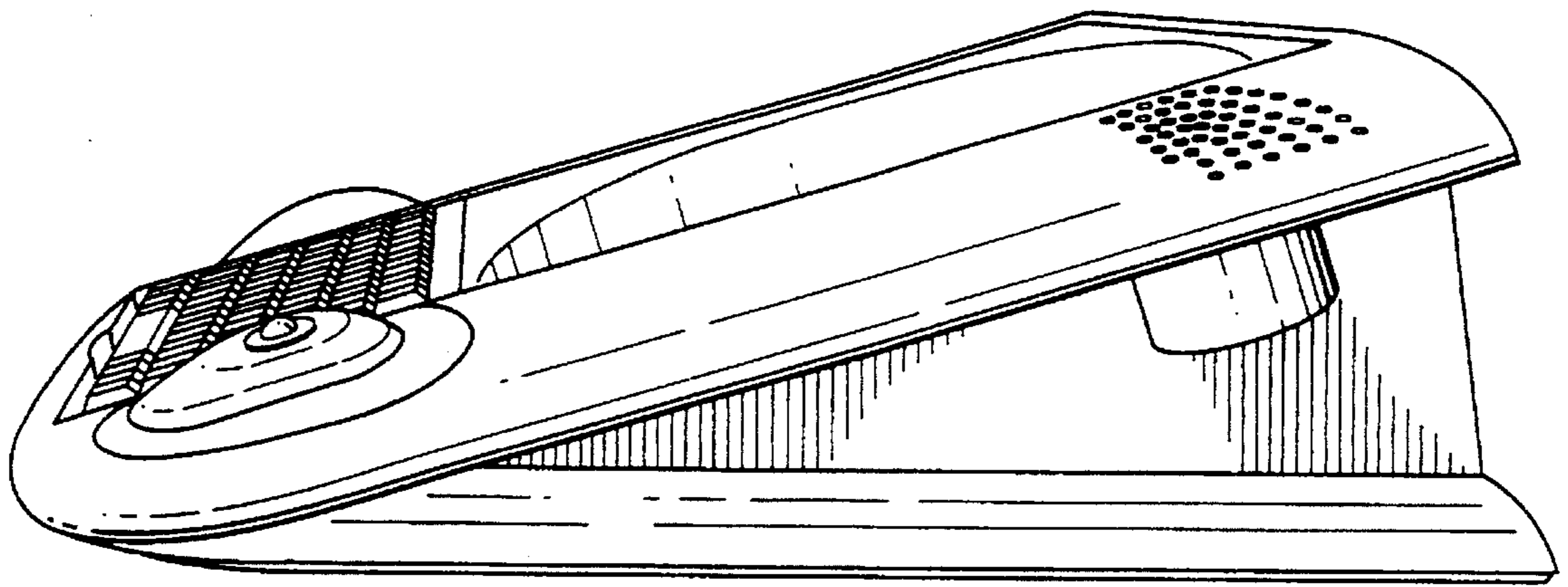


Fig. 4



*Fig. 5*

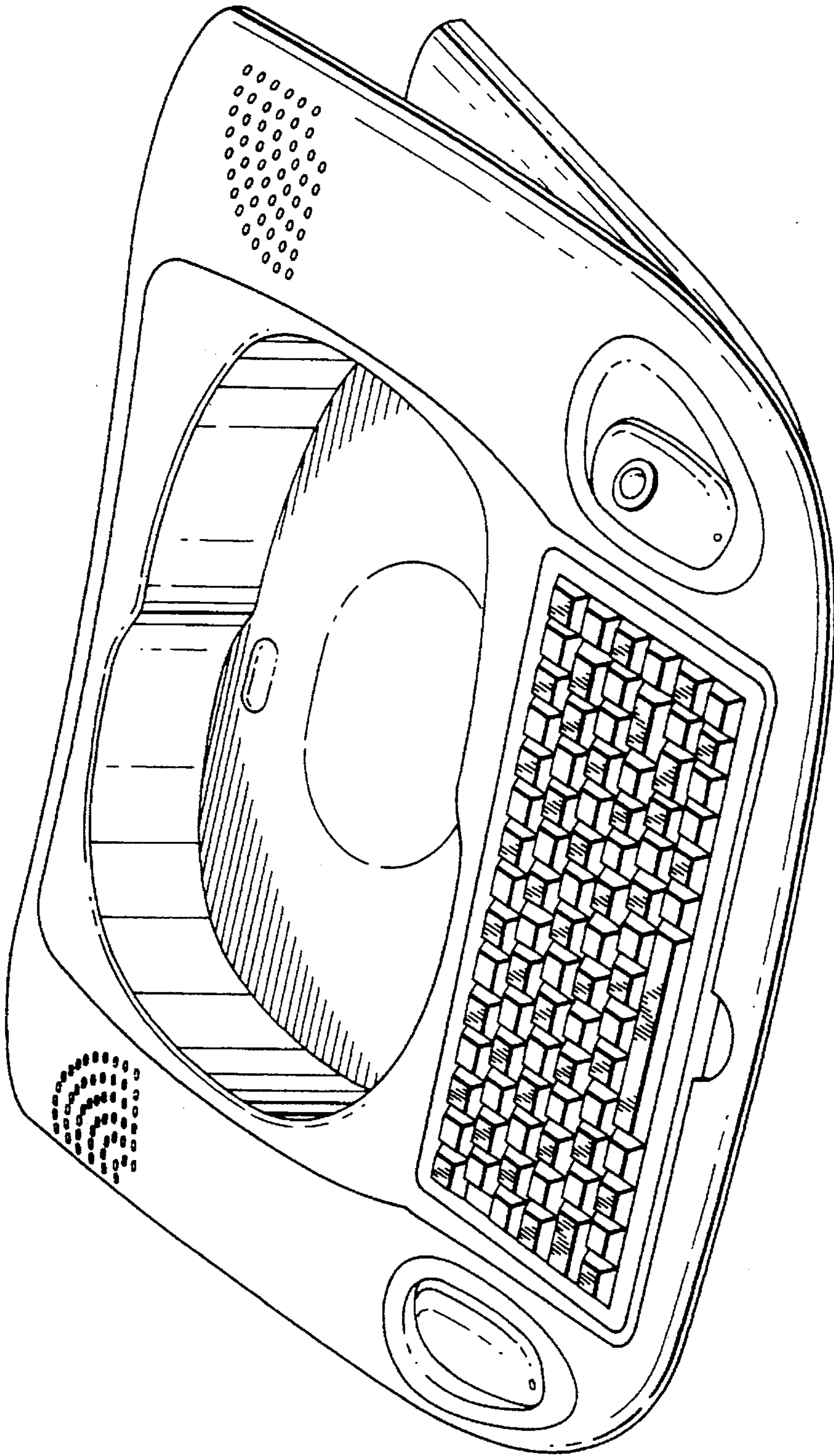


Fig. 6