



US00D374658S

# United States Patent [19]

[11] Patent Number: **Des. 374,658**

Bever et al.

[45] Date of Patent: **\*\*Oct. 15, 1996**

[54] **VANDAL RESISTANT SWITCH BOX**

4,952,760	8/1990	Wilson .....	200/302.1
5,086,463	2/1992	Vesely .....	379/388
5,134,259	7/1992	Page .....	200/341
5,201,409	4/1993	Martin .....	200/345
5,334,810	8/1994	Kranjec .....	200/294

[76] Inventors: **Ralph D. Bever**, 10002 NE. 35th St.,  
Vancouver, Wash. 98662; **Nelson F. Nash**, 307 NW. Heermann Dr.,  
Vancouver, Wash. 08685

### FOREIGN PATENT DOCUMENTS

[\*\*] Term: **14 Years**

2065978 7/1981 United Kingdom .

[21] Appl. No.: **39,304**

### OTHER PUBLICATIONS

[22] Filed: **May 22, 1995**

Switch knobs on p. K2 of Augat Alcoswitch catalog, ©1990.

[52] U.S. Cl. .... **D13/177; D13/171**

*Primary Examiner*—Joel Sincavage

[58] **Field of Search** ..... D13/158, 171,  
D13/174, 177; D8/310; D10/108; 200/276.1,  
296, 302.2, 304, 341, 345

*Attorney, Agent, or Firm*—Marger, Johnson, McCollom &  
Stolowitz, P.C.

### [57] CLAIM

### [56] References Cited

The ornamental design for a vandal resistant switch box, as shown and described.

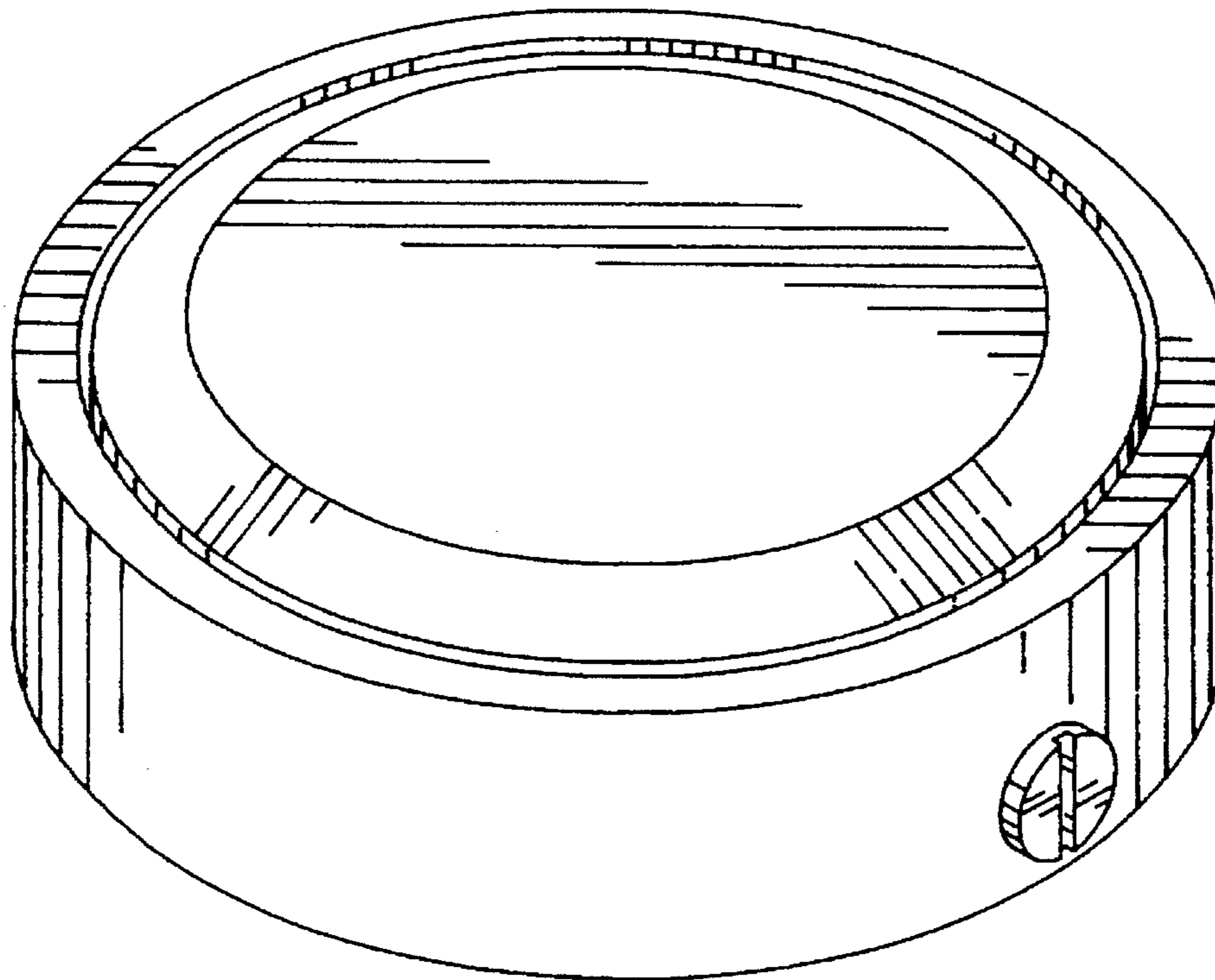
#### U.S. PATENT DOCUMENTS

### DESCRIPTION

D. 282,067	1/1986	Inaba .....	200/341 X
D. 300,528	4/1989	Drane .....	D13/171
D. 305,022	12/1989	Hallgren et al. ....	D13/171
2,984,726	5/1961	Roeser .....	200/168
3,895,205	7/1975	Tharp .....	200/340
3,937,913	2/1976	Soulas .....	200/302
4,297,556	10/1981	Taylor .....	200/330
4,480,163	10/1984	Morris .....	200/331
4,822,963	4/1989	Martin .....	200/296
4,943,695	7/1990	Valis .....	200/345

FIG. 1 is a front elevation view of a vandal resistant switch box, showing the new design;  
FIG. 2 is a right side, elevational view, thereof;  
FIG. 3 is a bottom plan view thereof; and,  
FIG. 4 is a top perspective view thereof.

**1 Claim, 2 Drawing Sheets**



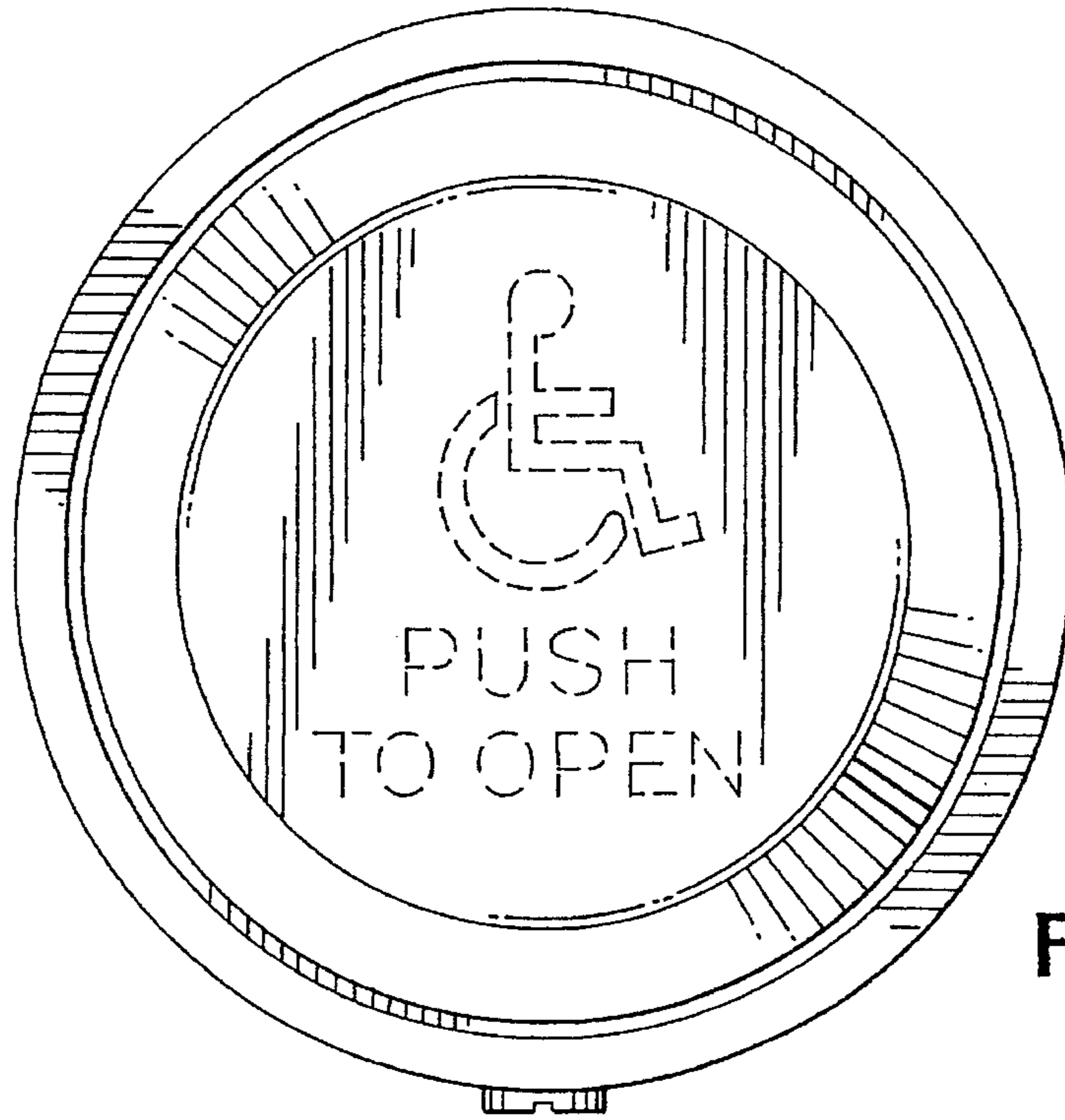


Fig.1

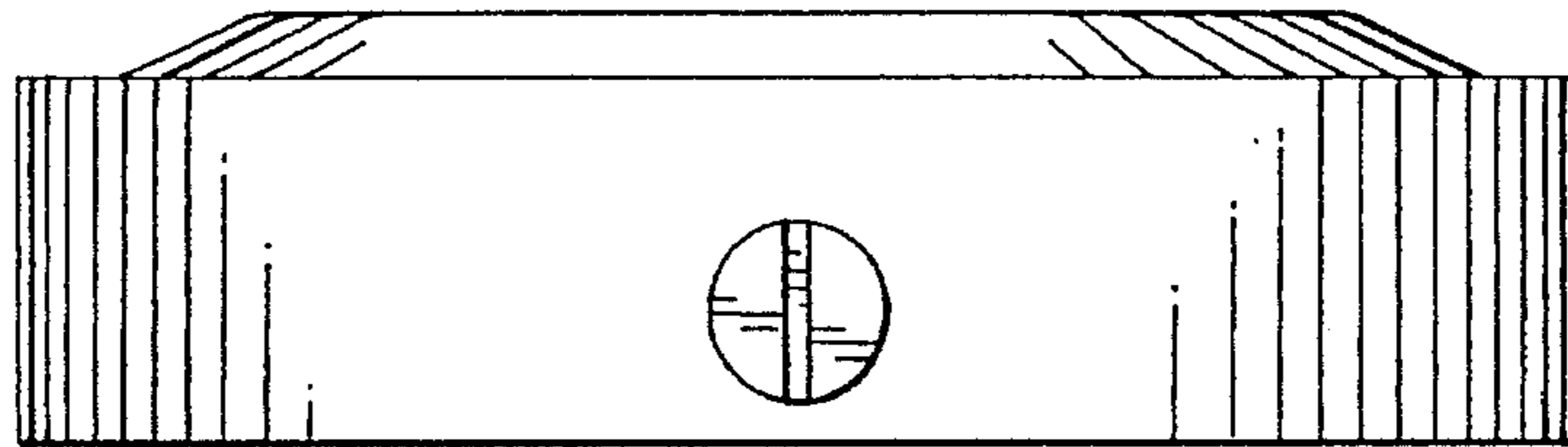


Fig.2

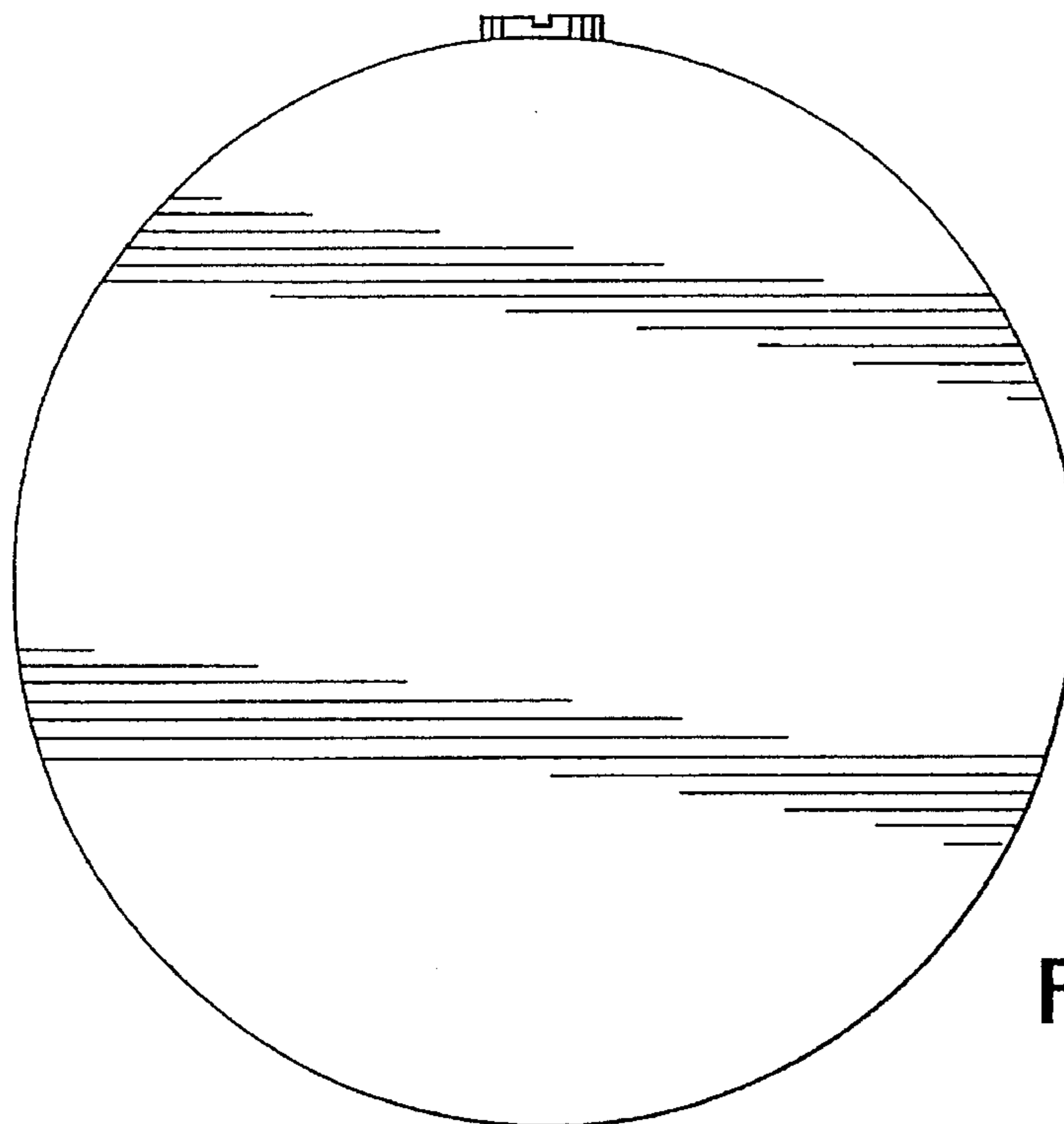


Fig.3

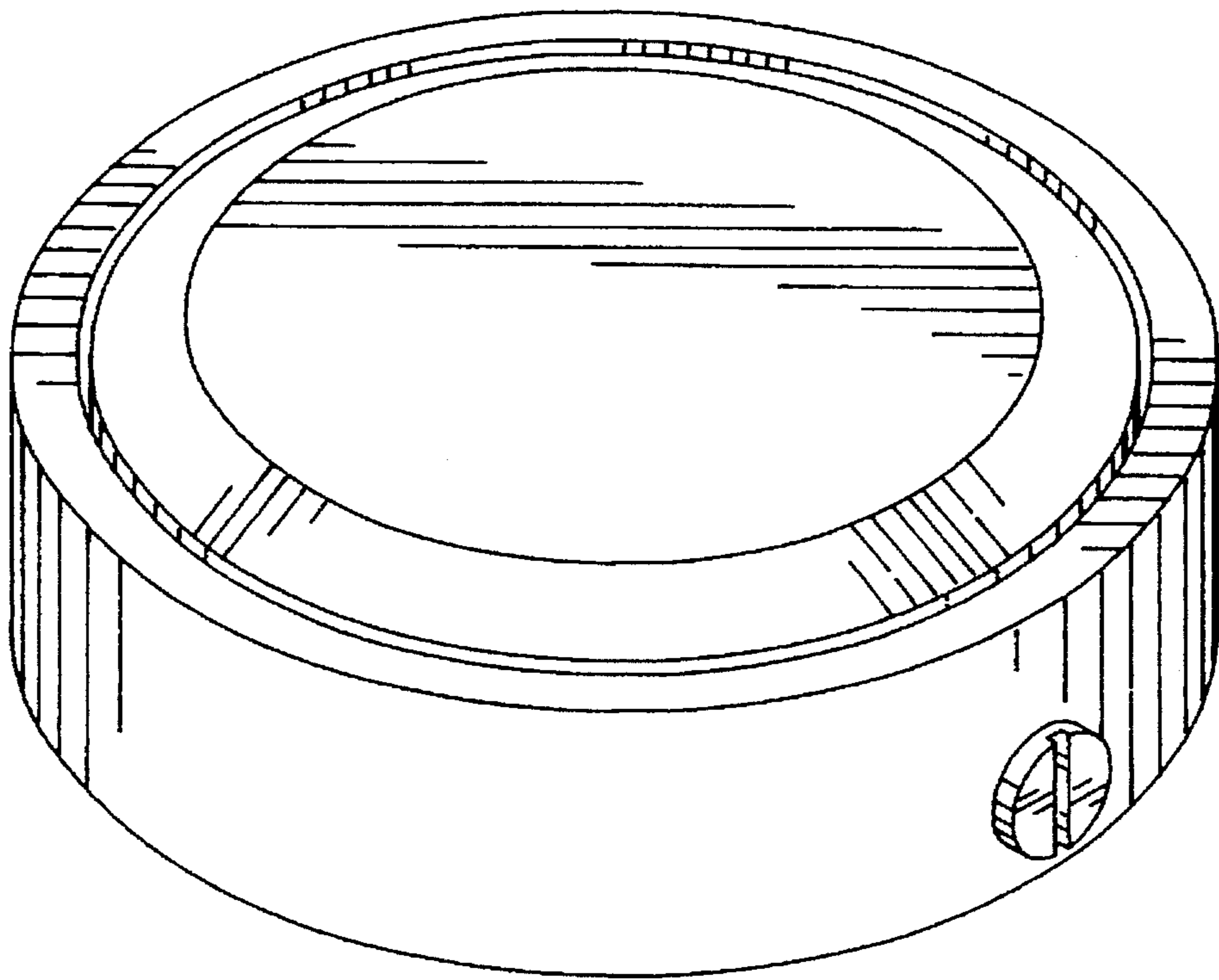


Fig.4