



US00D374656S

**United States Patent** [19]  
**Richardson**

[11] **Patent Number: Des. 374,656**

[45] **Date of Patent: \*\*Oct. 15, 1996**

[54] **CAR TOP WIND GENERATOR**

4,424,452 1/1984 Francis ..... 290/44 X

[76] Inventor: **Carl D. Richardson**, 913 Leslie St.,  
Lansing, Mich. 48912

*Primary Examiner*—Joel Sincavage  
*Attorney, Agent, or Firm*—Dennis H. Lambert

[\*\*] Term: **14 Years**

[57] **CLAIM**

[21] Appl. No.: **27,779**

The ornamental design for a car top wind generator, as shown and described.

[22] Filed: **Aug. 31, 1994**

**DESCRIPTION**

[52] U.S. Cl. .... **D13/115**

[58] Field of Search ..... D13/115; 290/44,  
290/55; 180/2.2

FIG. 1 is a front, top and side perspective view of the car top wind generator embodying the design of the present invention;

FIG. 2 is a front elevational view thereof;

FIG. 3 is a rear elevational view thereof;

FIG. 4 is a side elevational view thereof, the side opposite being a mirror image of the side shown in FIG. 4.

FIG. 5 is a top plan view thereof; and,

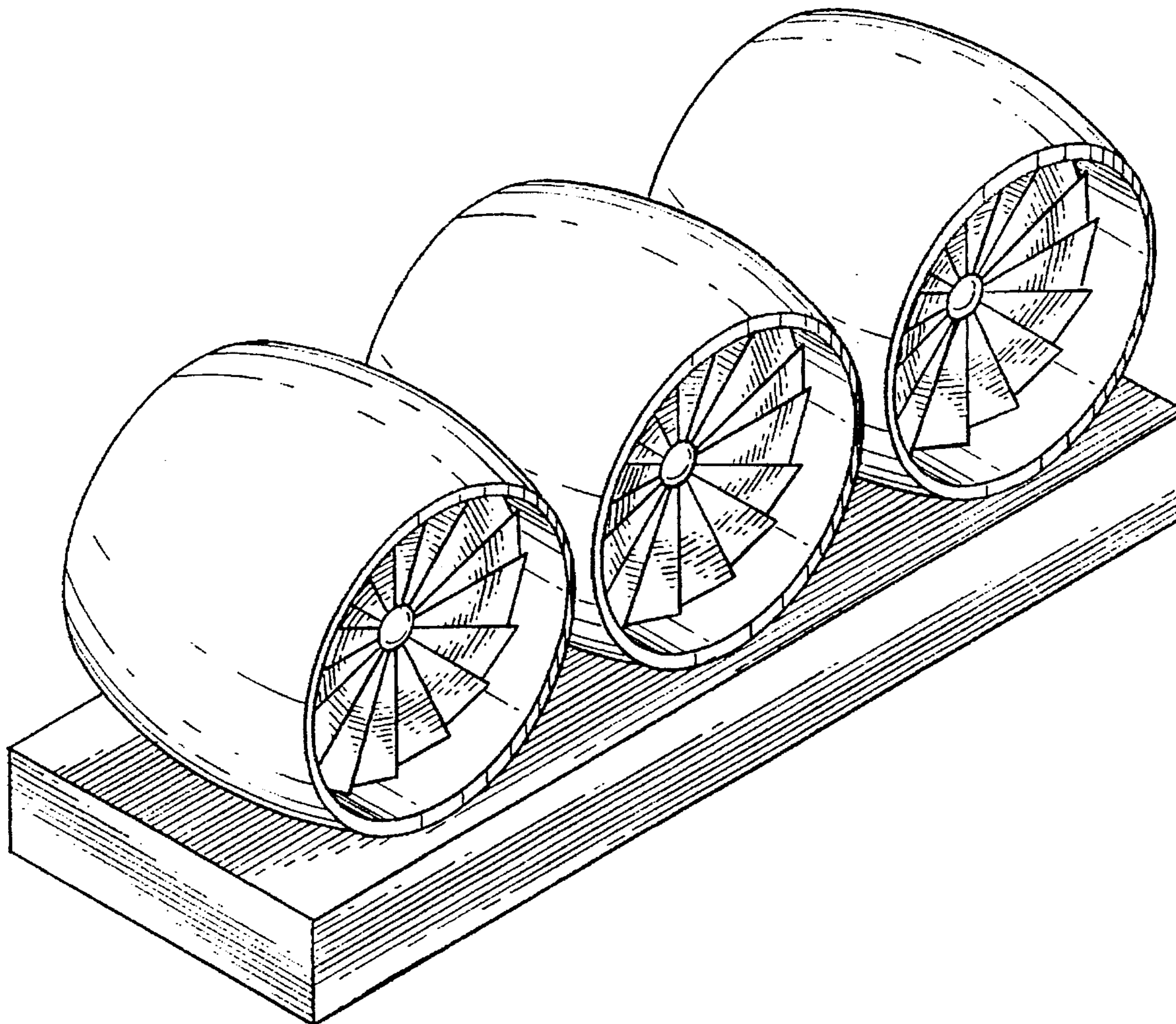
FIG. 6 is a bottom plan view thereof.

[56] **References Cited**

**U.S. PATENT DOCUMENTS**

3,621,930	11/2371	Dutchak .	
3,939,935	2/1976	Gill .	
3,972,380	8/1976	Hudson et al. .	
4,140,433	2/1979	Eckel .....	290/55 X
4,166,596	9/1979	Mouton, Jr. et al. ....	290/44 X

**1 Claim, 4 Drawing Sheets**



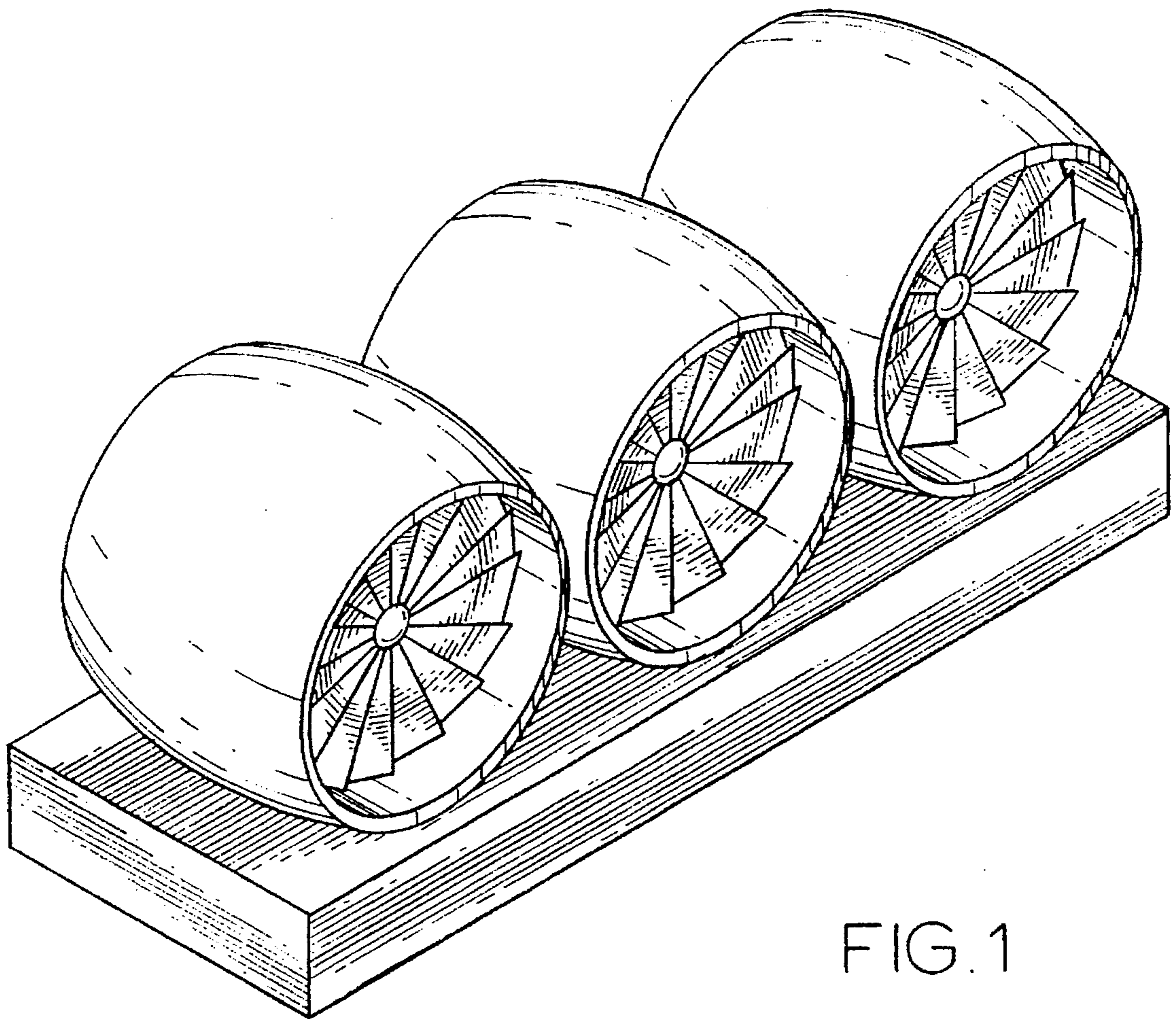


FIG. 1

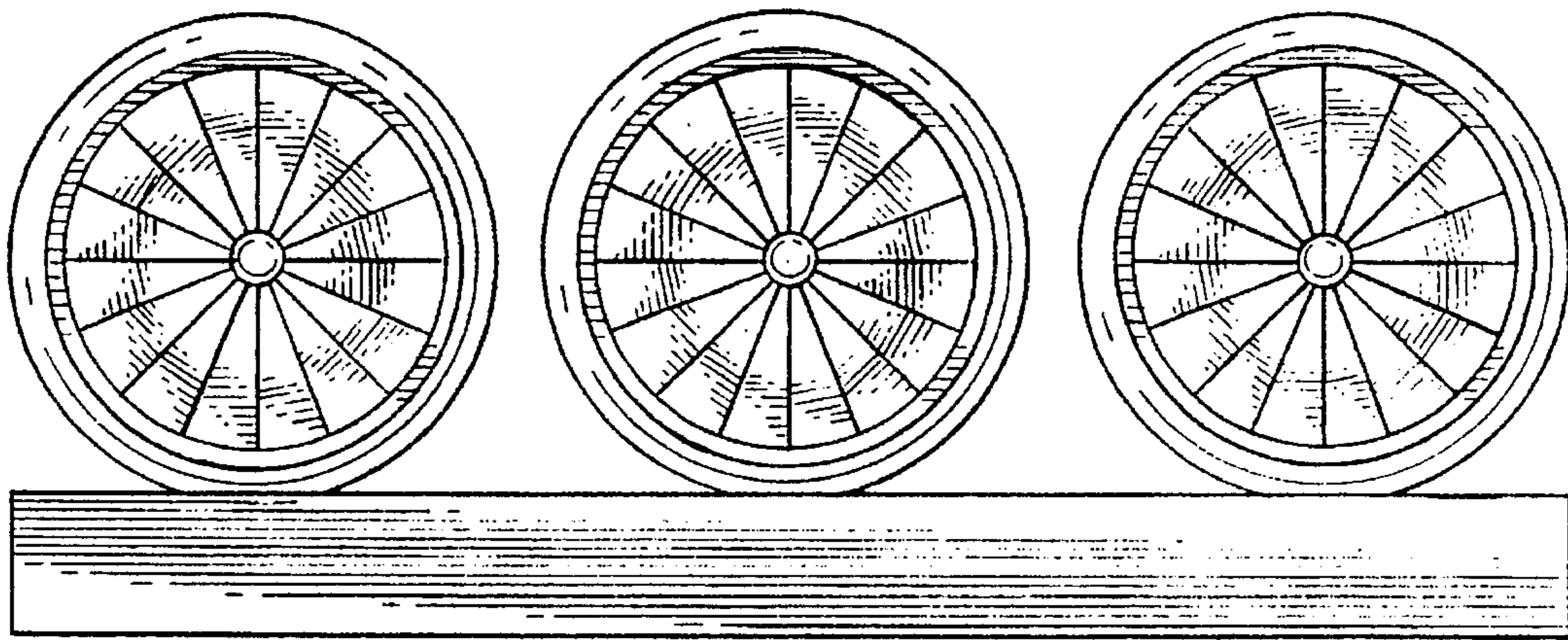


FIG. 2

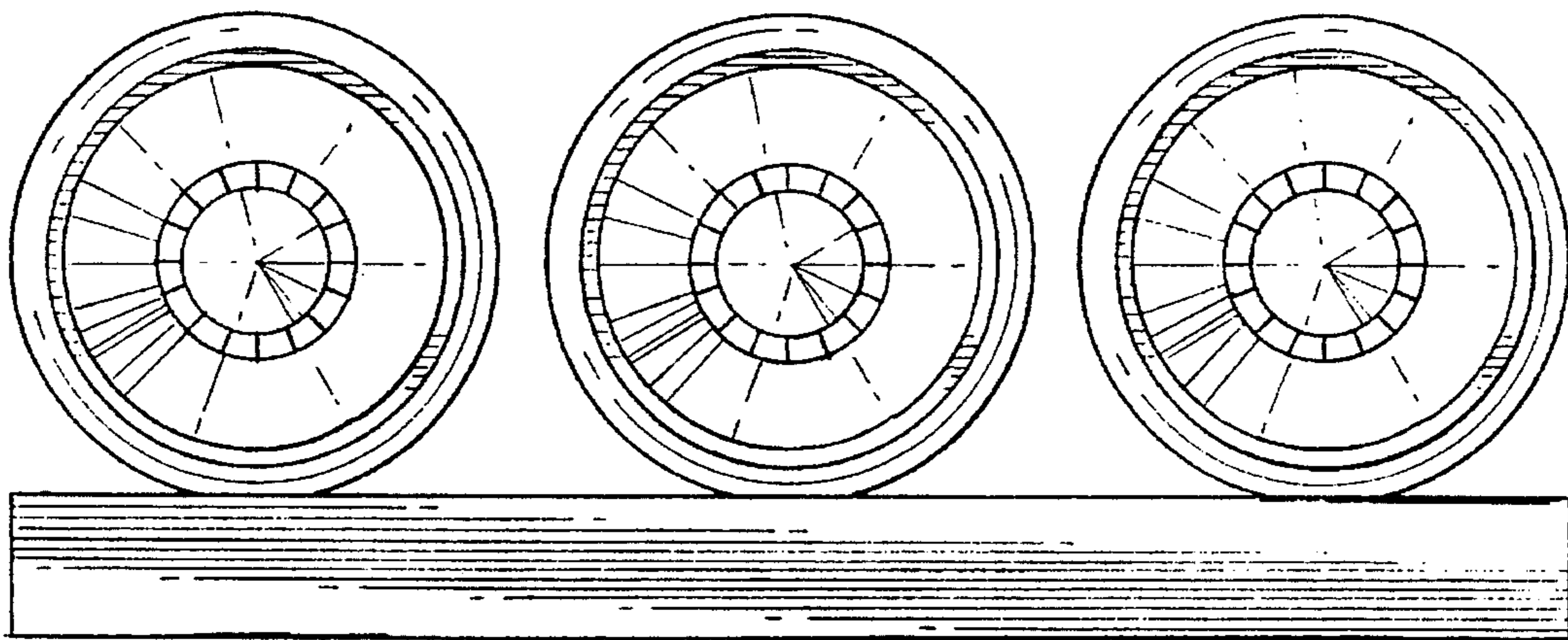


FIG. 3

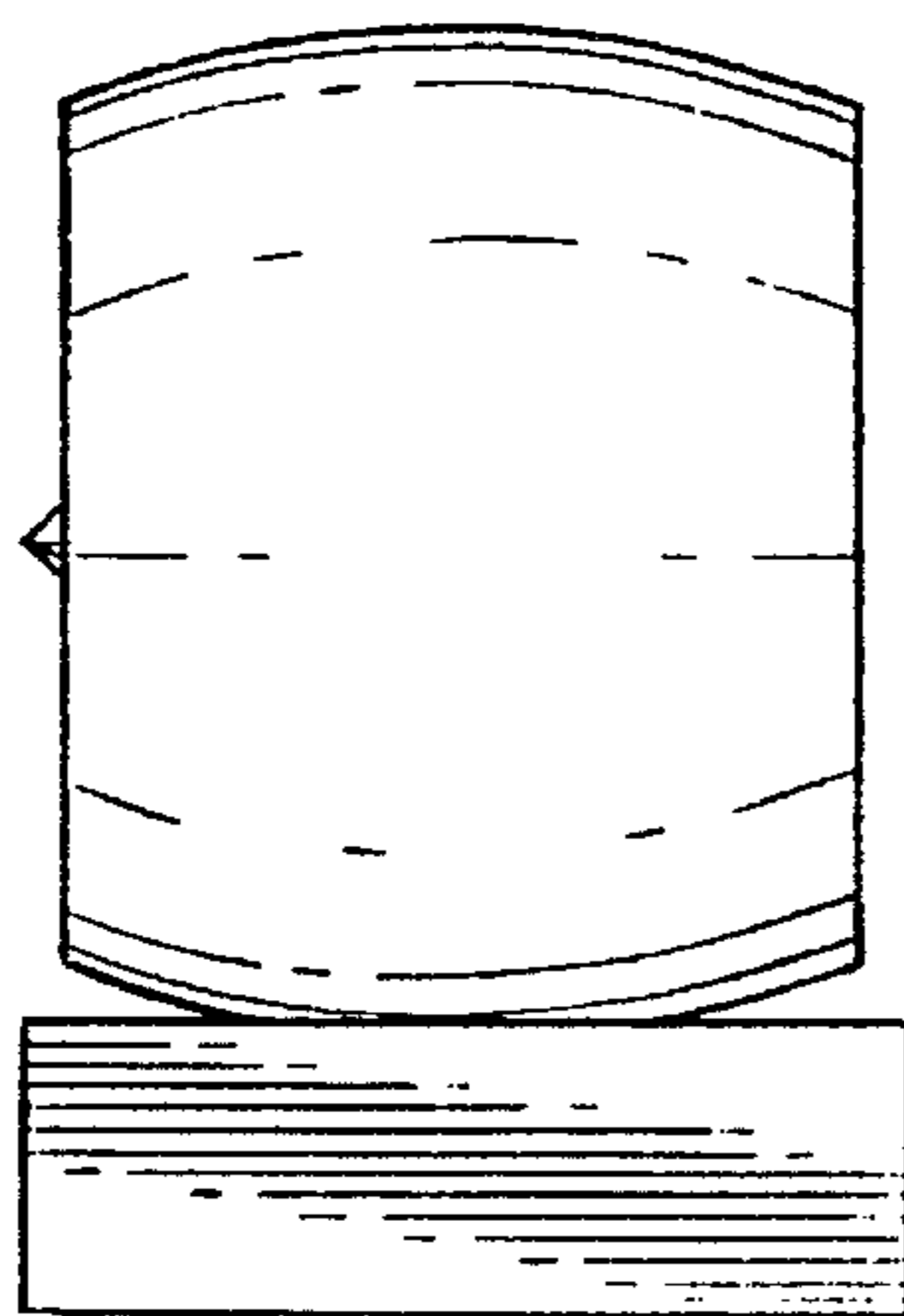


FIG. 4

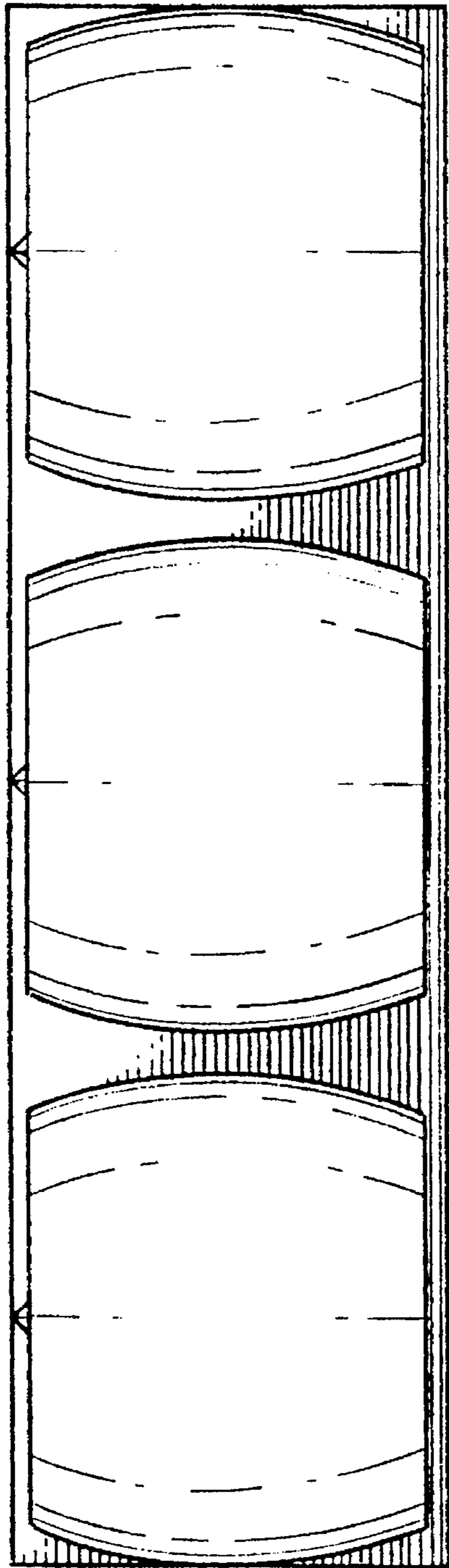


FIG. 5

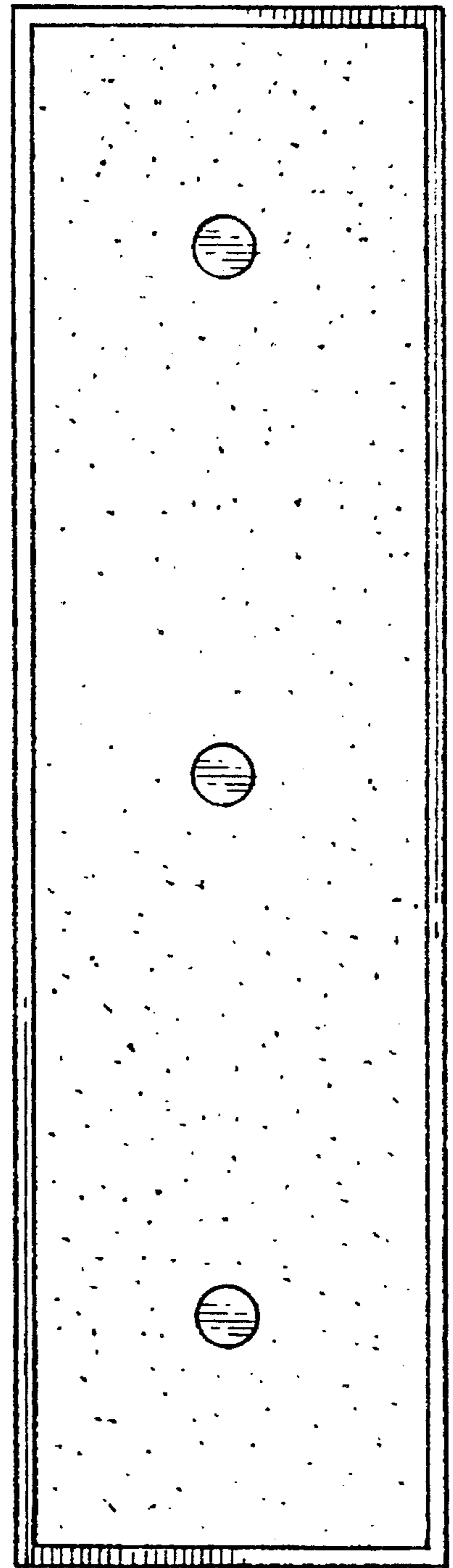


FIG. 6

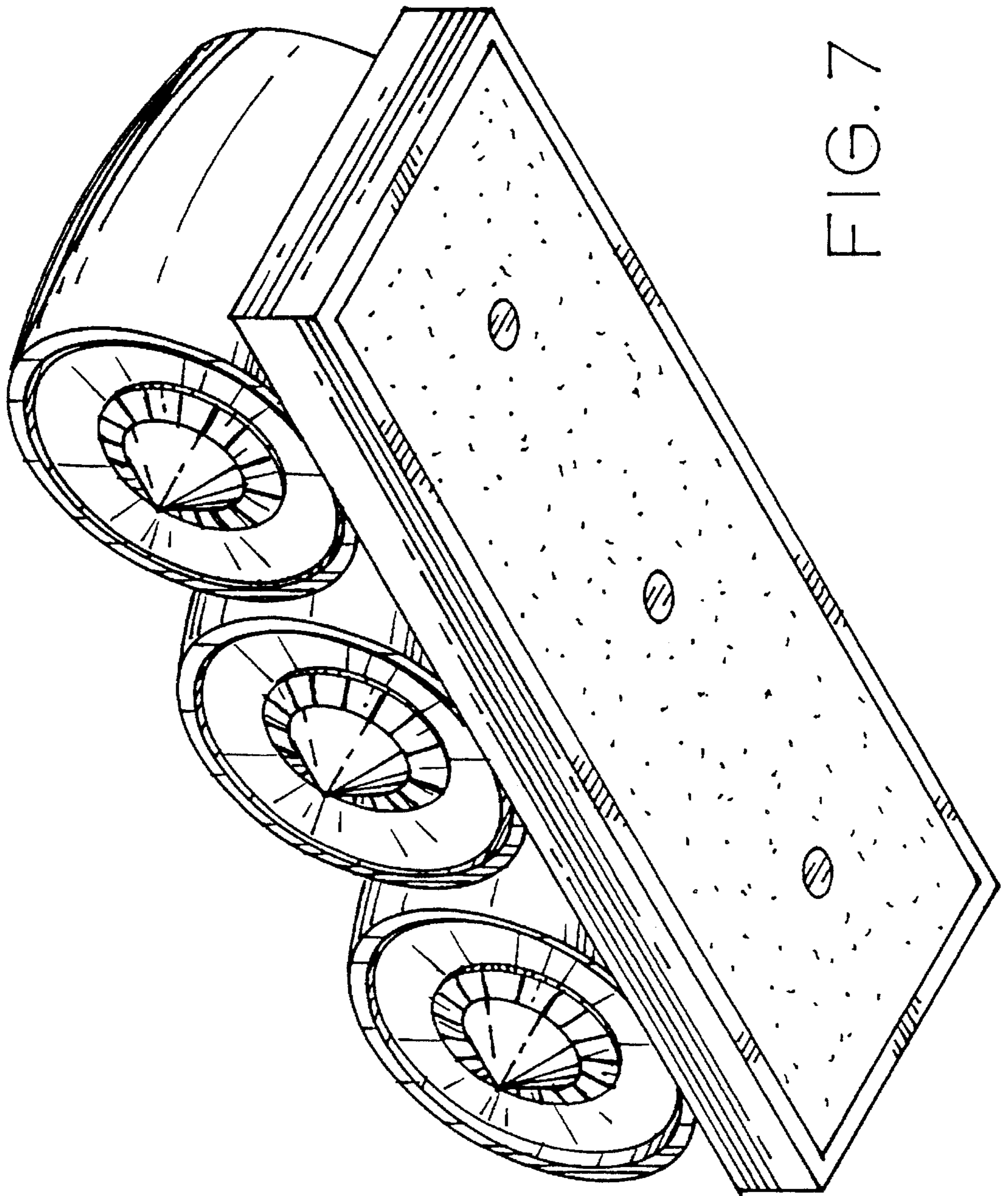


FIG. 7