



US00D374655S

# United States Patent [19]

Carl et al.

[11] Patent Number: **Des. 374,655**

[45] Date of Patent: **\*\*Oct. 15, 1996**

[54] ELECTRICAL ADAPTER

5,252,082 10/1993 Hsieh et al. .... 439/141

[75] Inventors: **Stewart R. Carl**, Palo Alto; **Arthur H. Zarnowitz**, San Jose, both of Calif.

*Primary Examiner*—Joel Sincavage  
*Attorney, Agent, or Firm*—Townsend and Townsend and Crew LLP

[73] Assignee: **Kensington Microware Limited**, San Mateo, Calif.

[57] **CLAIM**

[\*\*] Term: **14 Years**

The ornamental design for an electrical adapter, as shown and described.

[21] Appl. No.: **30,289**

**DESCRIPTION**

[22] Filed: **Oct. 25, 1994**

[52] U.S. Cl. .... **D13/110**

[58] Field of Search ..... D13/110, 138,  
D13/141; 336/92, 107; 363/146; 439/140,  
141

FIG. 1 is a perspective view of an electrical adapter showing our new design;

FIG. 2 is a top plan view thereof, the bottom plan view being a mirror image;

FIG. 3 is a front elevational view thereof;

FIG. 4 is a right side elevational view, the left side elevational view being a mirror image; and,

FIG. 5 is a rear elevational view thereof.

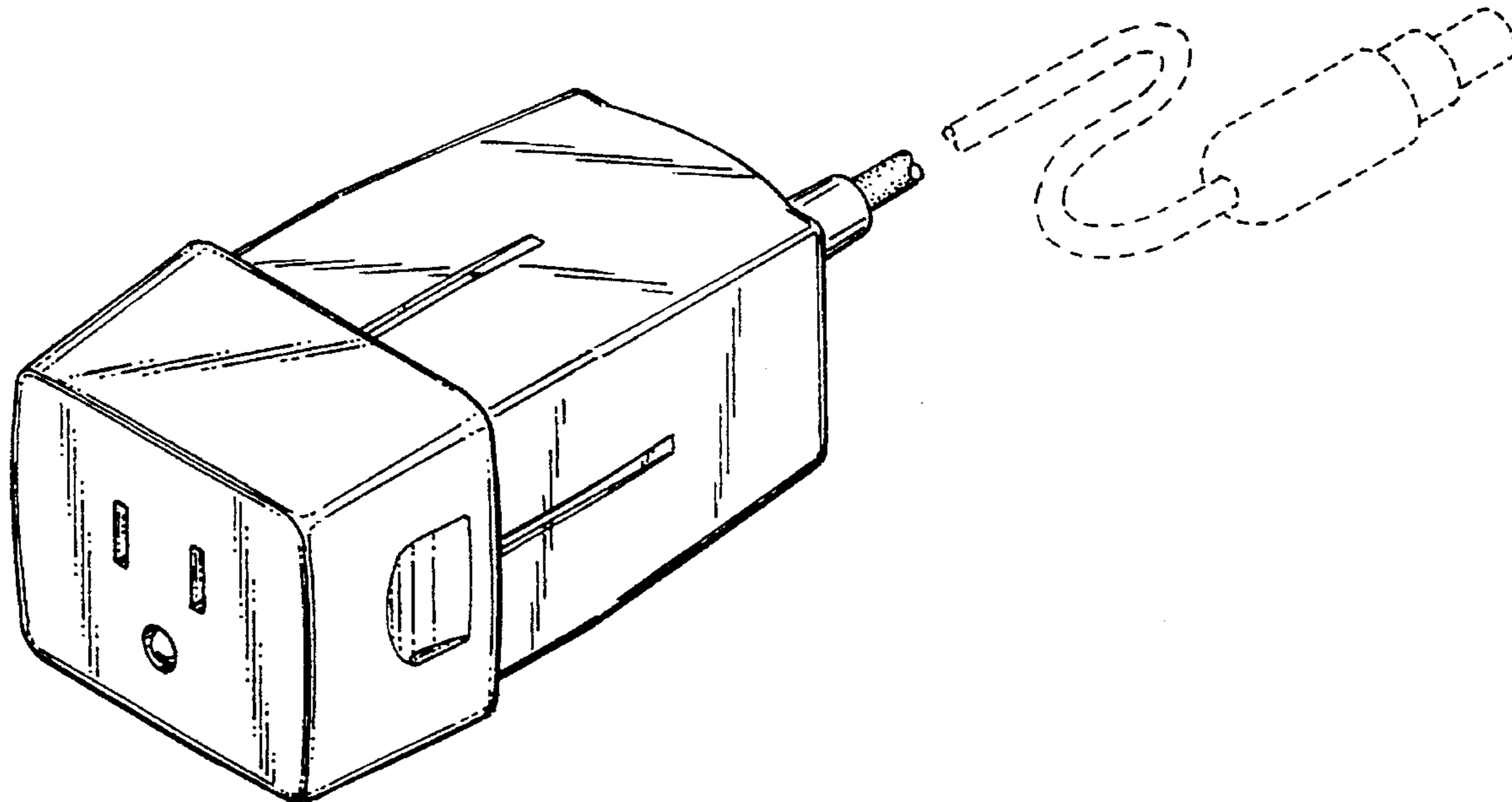
The broken line showing in FIG. 1 is included for the purpose of illustrating environmental structure only and forms no part of the claimed design.

[56] **References Cited**

**U.S. PATENT DOCUMENTS**

D. 326,642	6/1992	Lowe	.....	D13/138
D. 334,766	4/1993	Morgan et al.	.....	D13/110
3,754,205	8/1973	Lenkey	.....	439/141
4,205,291	5/1980	Flentge	.....	D13/110 X
4,445,739	5/1984	Wooten	.....	439/140

**1 Claim, 1 Drawing Sheet**



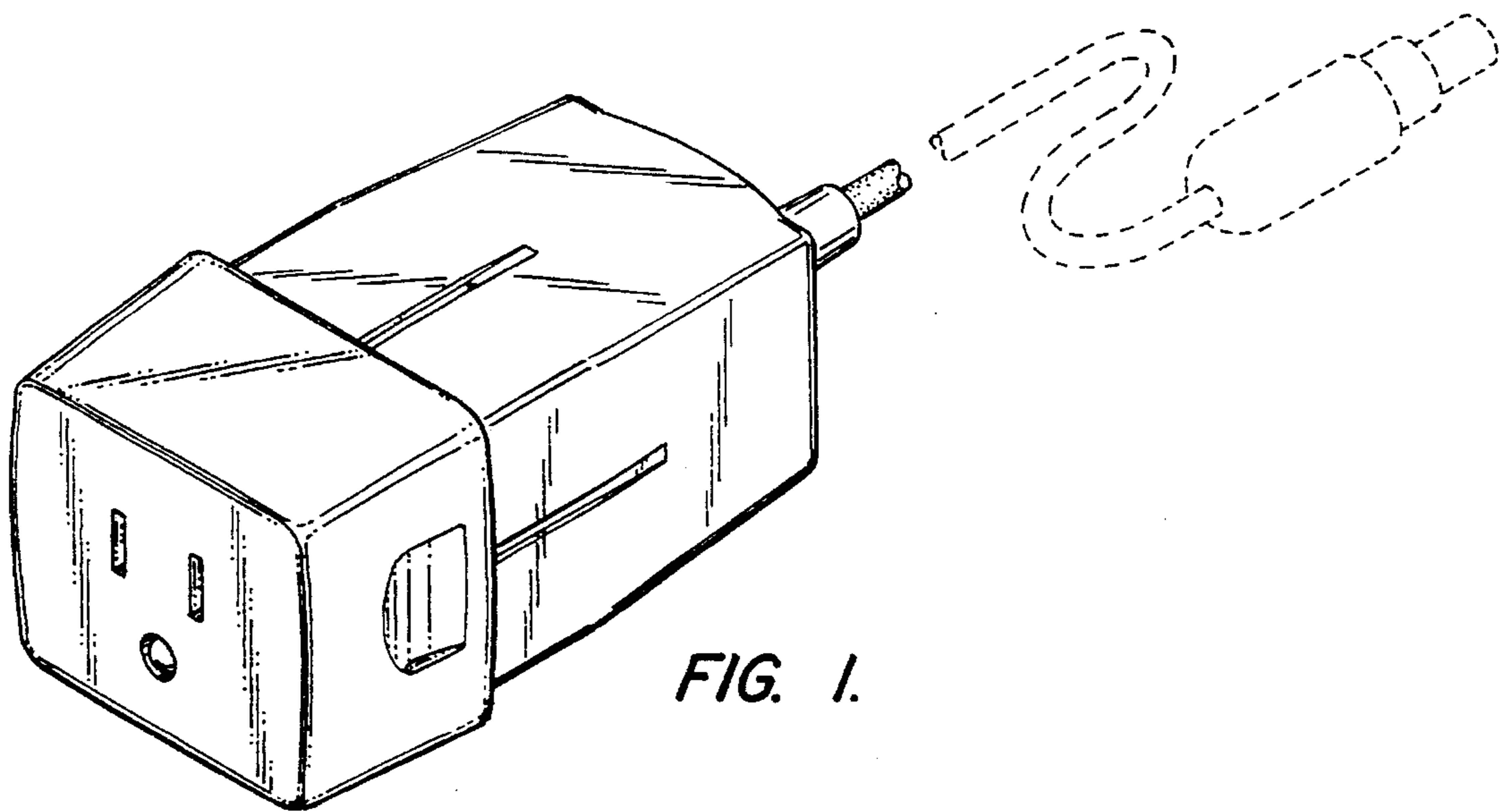


FIG. 1.

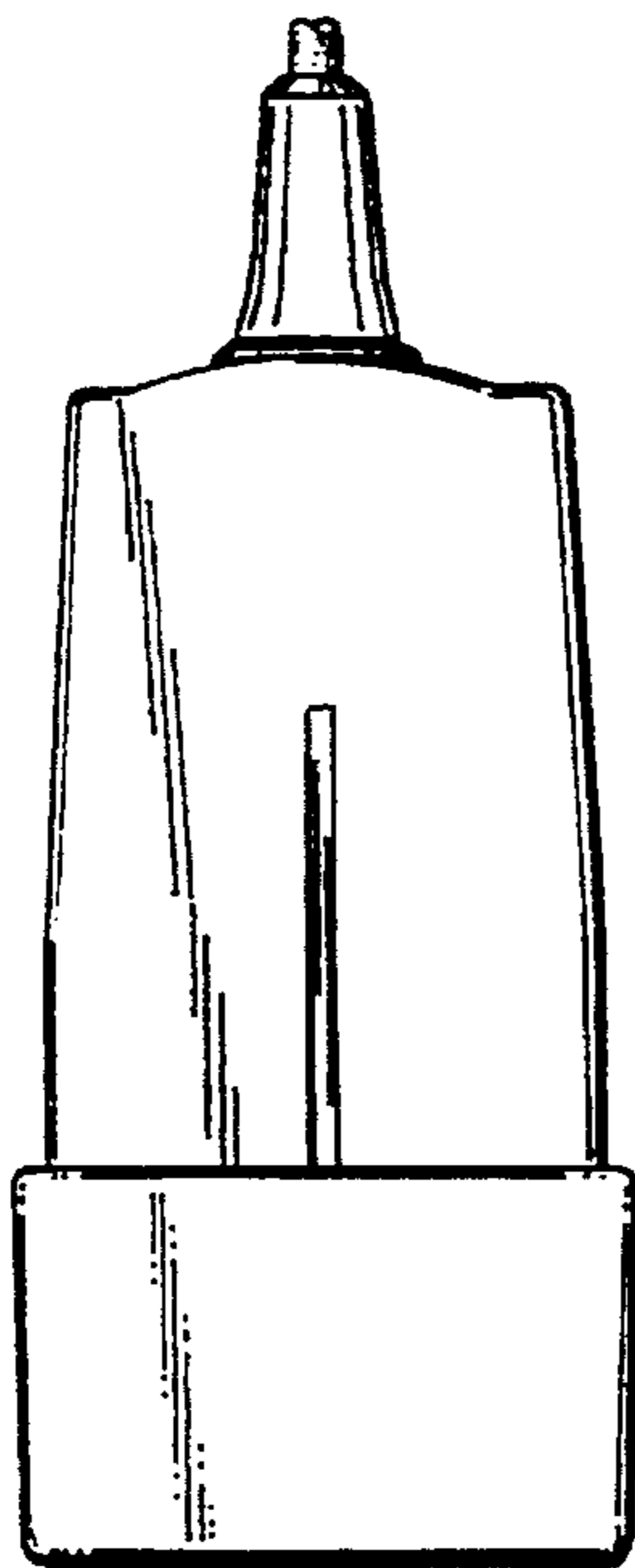


FIG. 2.

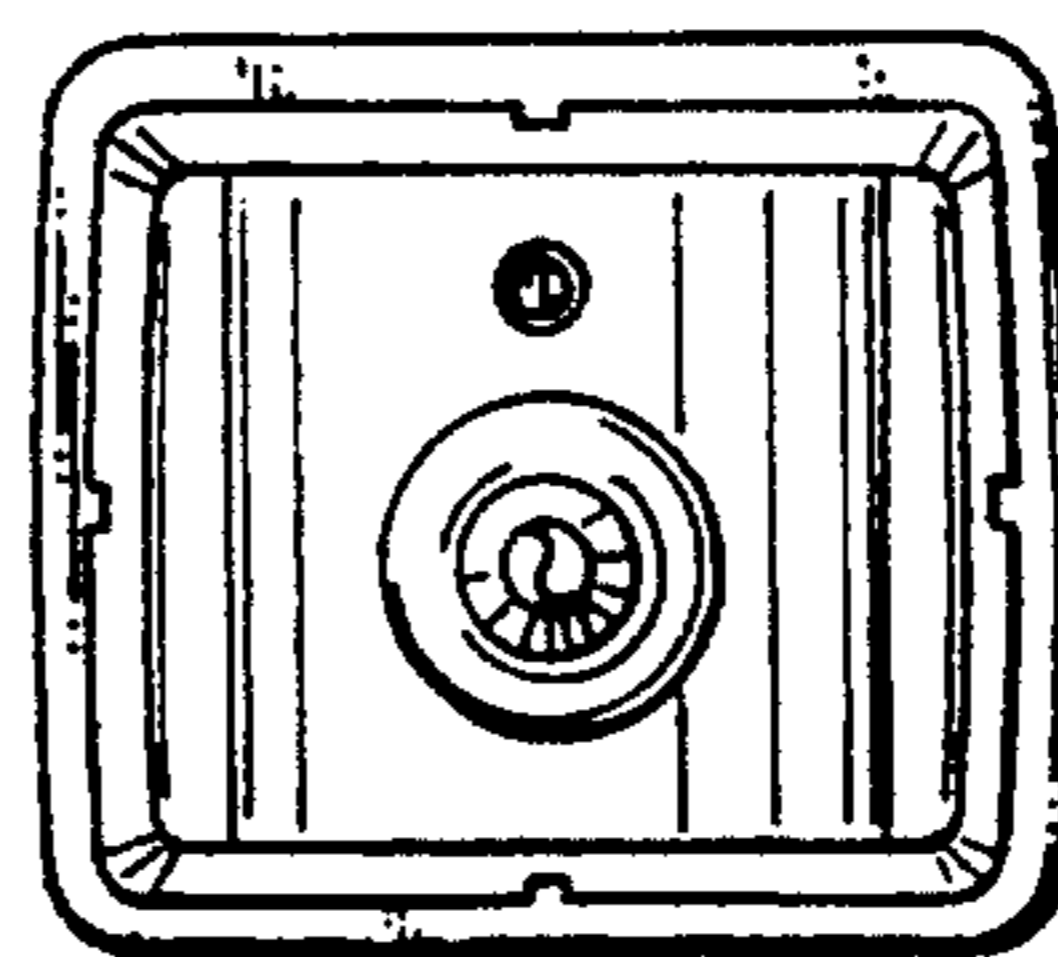


FIG. 5.

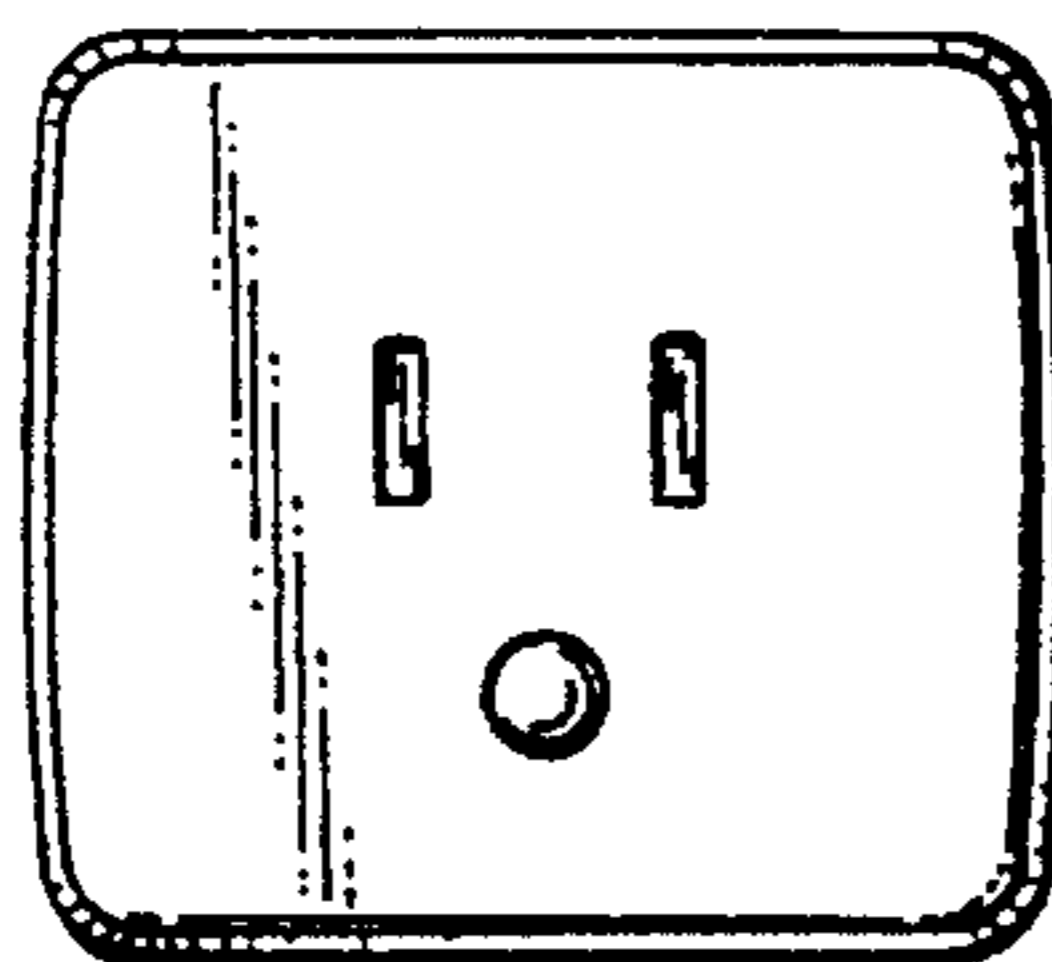


FIG. 3.

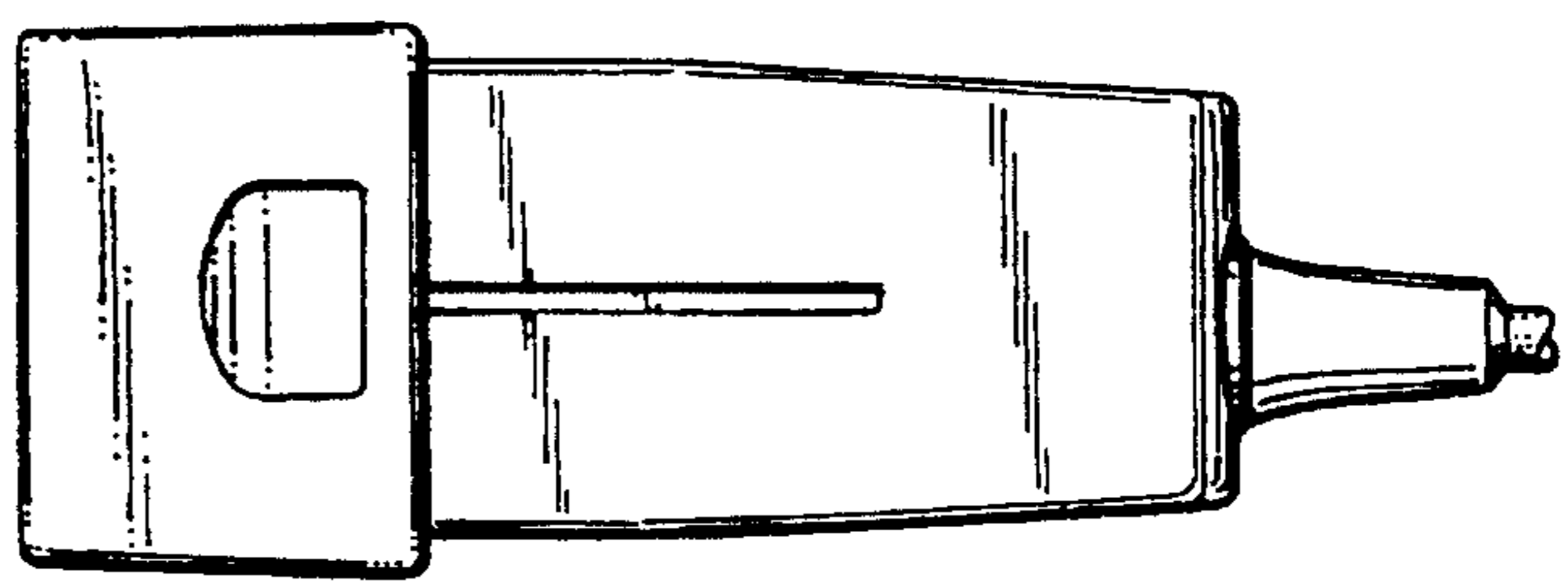


FIG. 4.