



US00D374653S

United States Patent [19]
Yon

[11] **Patent Number: Des. 374,653**

[45] **Date of Patent: **Oct. 15, 1996**

[54] **BICYCLE REAR STORAGE COMPARTMENT**

[76] **Inventor: Clarence E. Yon, 709 Abernathy St., Warren, Ark. 71671**

[**] **Term: 14 Years**

[21] **Appl. No.: 32,414**

[22] **Filed: Dec. 19, 1994**

[52] **U.S. Cl. D12/409**

[58] **Field of Search D12/126, 407, D12/409, 410, 114; 224/35, 36, 30 A, 30 R, 41; 280/288.4, 304.5; 296/78.1, 24.1**

[56] **References Cited**

U.S. PATENT DOCUMENTS

- D. 281,871 12/1985 Heiman .
- D. 288,246 2/1987 Wing .
- D. 302,142 7/1989 Brown, Jr. .
- D. 306,150 2/1990 Macke .
- D. 343,152 1/1994 Preisler .
- 3,598,295 8/1971 Seegers .
- 3,714,412 1/1973 Franklin .
- 4,440,332 4/1984 Kullen 224/30 A
- 4,541,555 9/1985 Miree 224/41

- 4,754,901 7/1988 Villanueva et al. .
- 4,856,364 8/1989 Dixon .
- 5,159,712 10/1992 Schneider et al. .
- 5,222,752 6/1993 Hewitt 296/78.1
- 5,314,207 5/1994 Camfield et al. D12/126 X

Primary Examiner—James M. Gandy
Assistant Examiner—Linda Brooks
Attorney, Agent, or Firm—Richard C. Litman

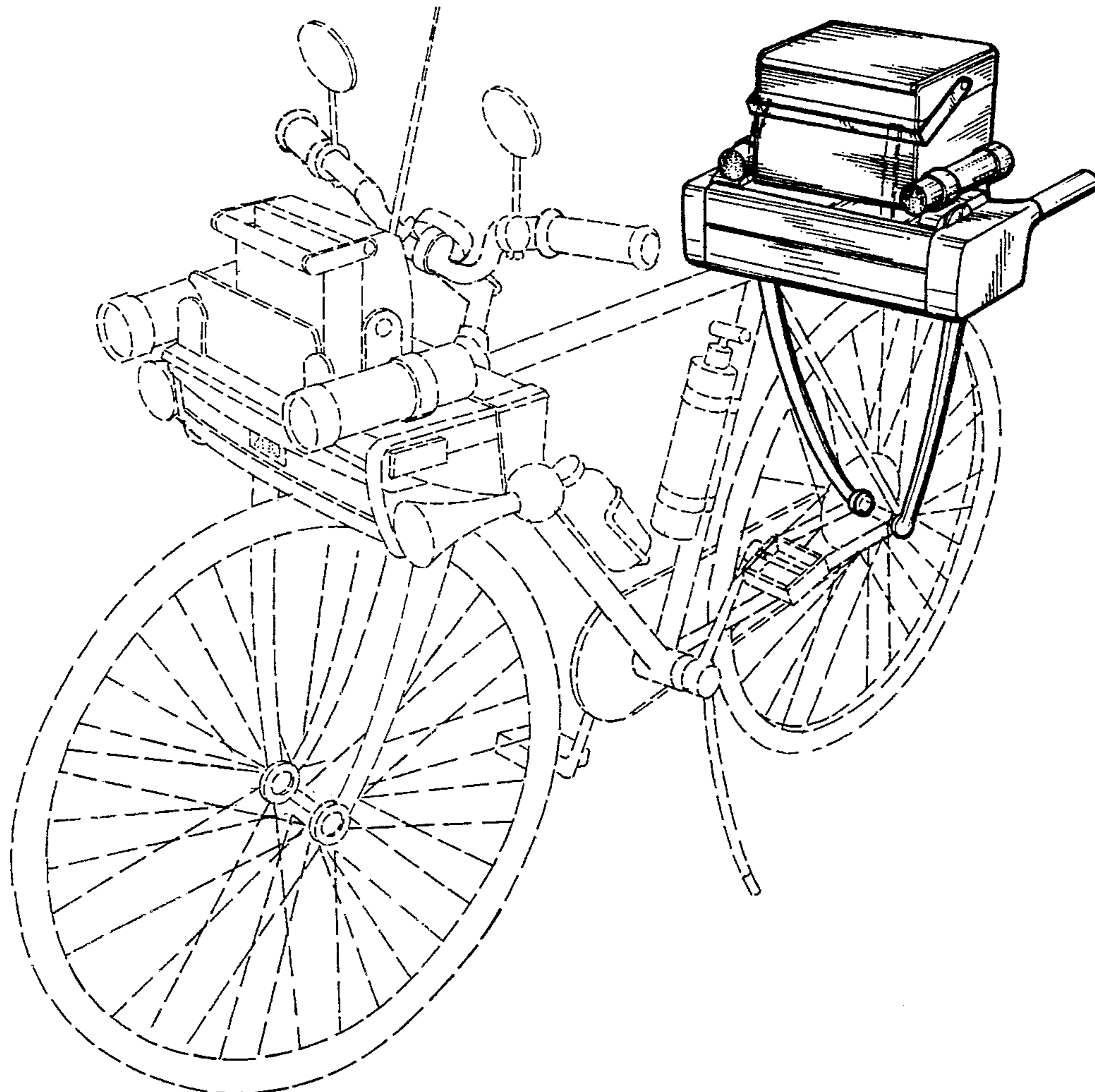
[57] **CLAIM**

The ornamental design for a bicycle rear storage compartment, as shown and described.

DESCRIPTION

FIG. 1 is an environmental perspective view of a bicycle rear storage compartment showing my new design; FIG. 2 is a top plan view thereof; FIG. 3 is a front elevational view thereof; FIG. 4 is a left side elevational view with the right side being a mirror image thereof; and, FIG. 5 is a rear elevational view of thereof. The broken line showing of a bicycle is for illustrative purposes only and forms no part of the claimed design.

1 Claim, 5 Drawing Sheets



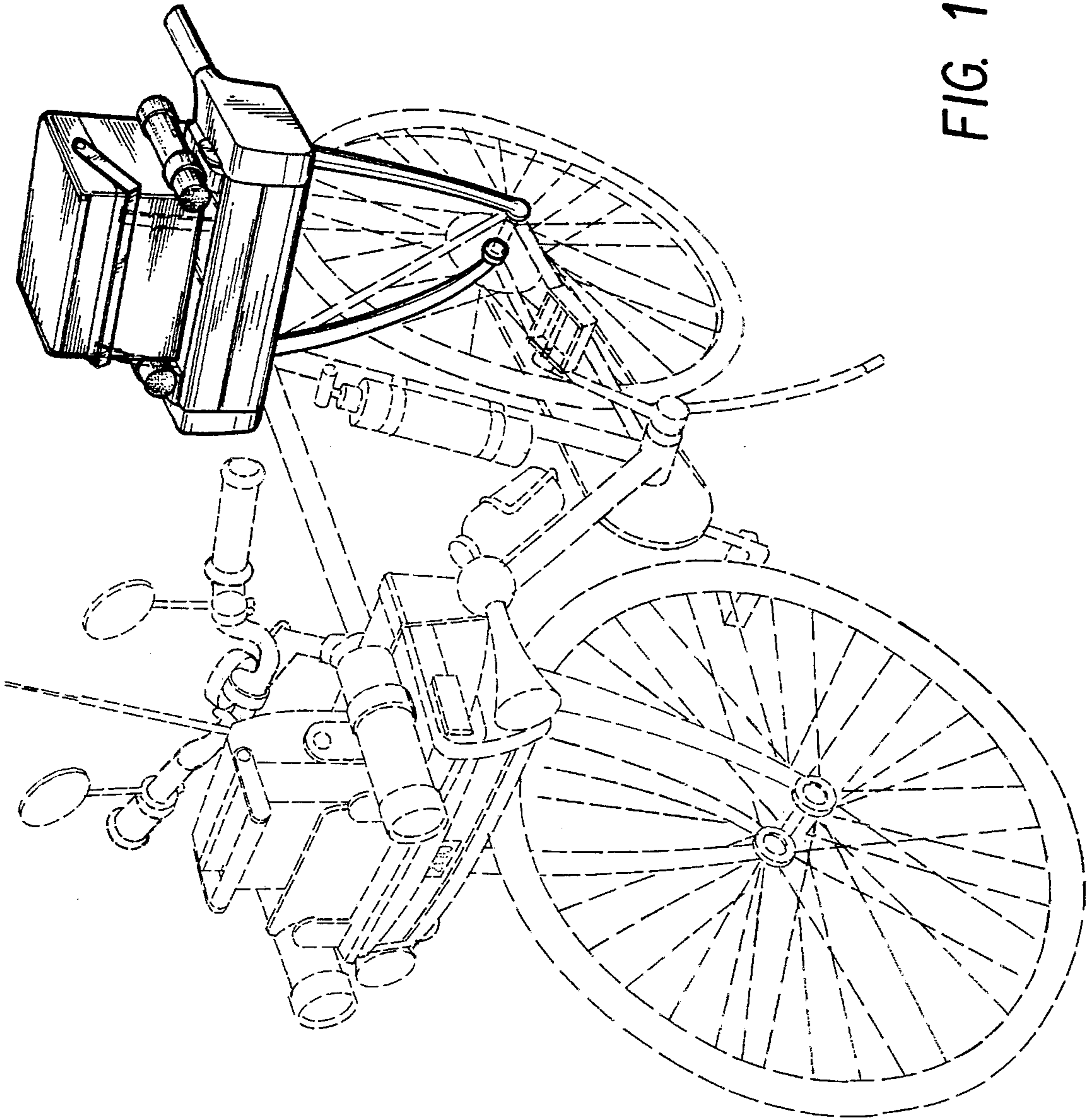


FIG. 1

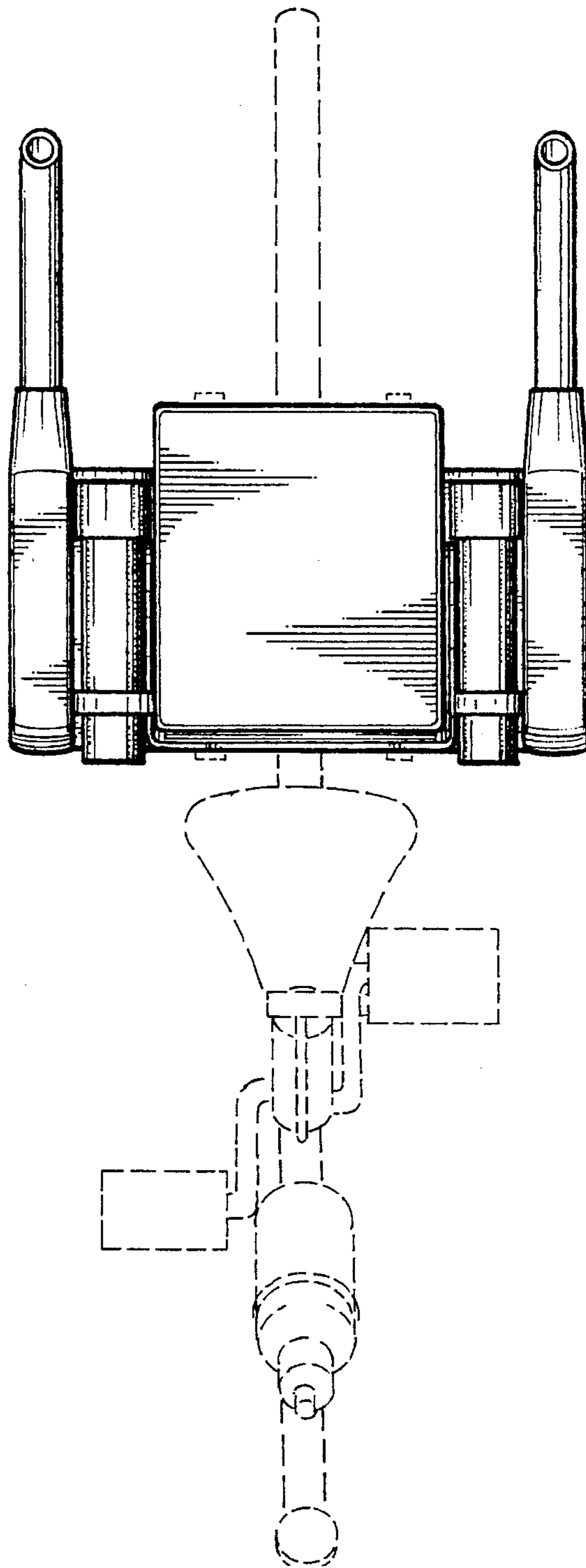


FIG. 2

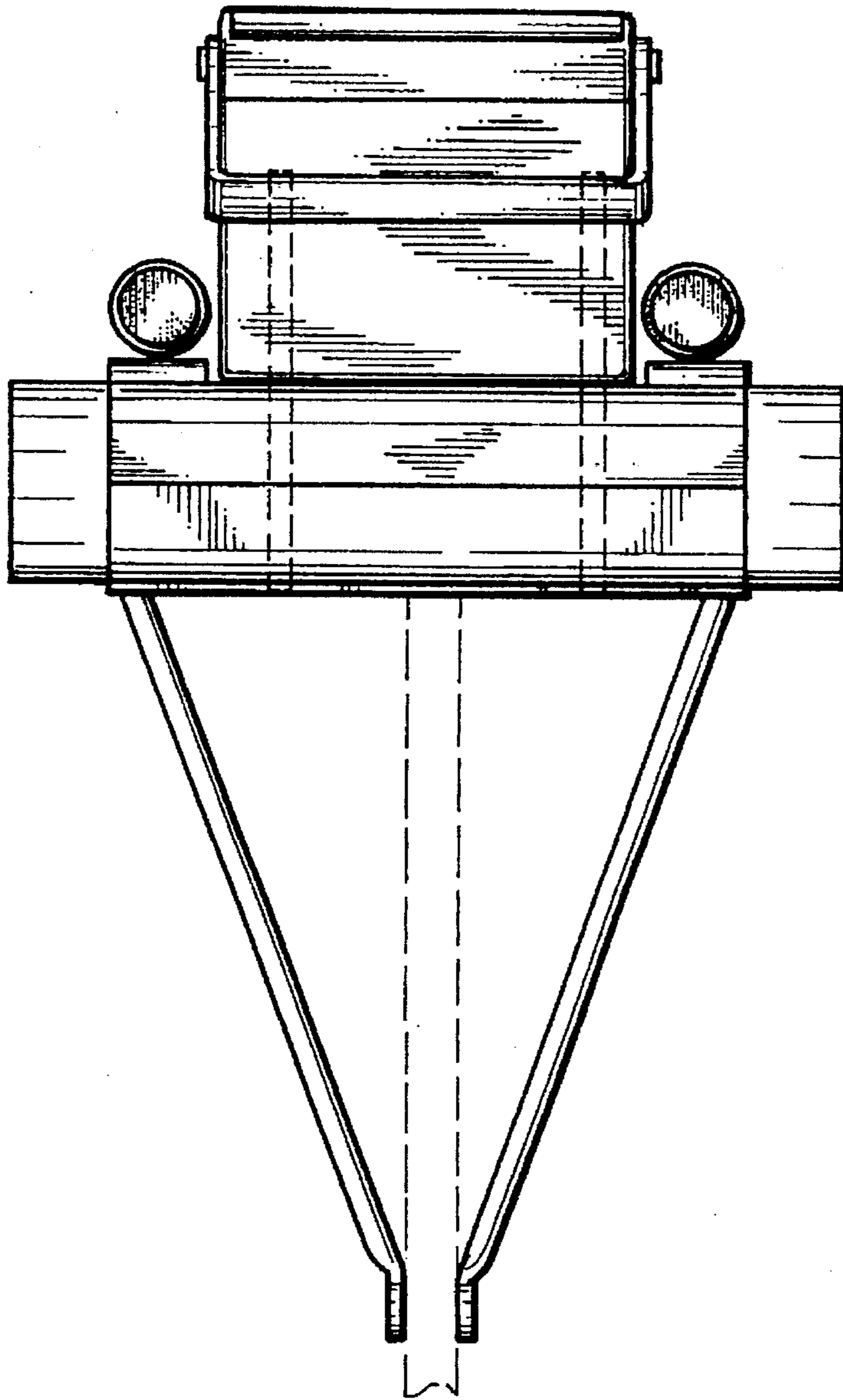


FIG. 3

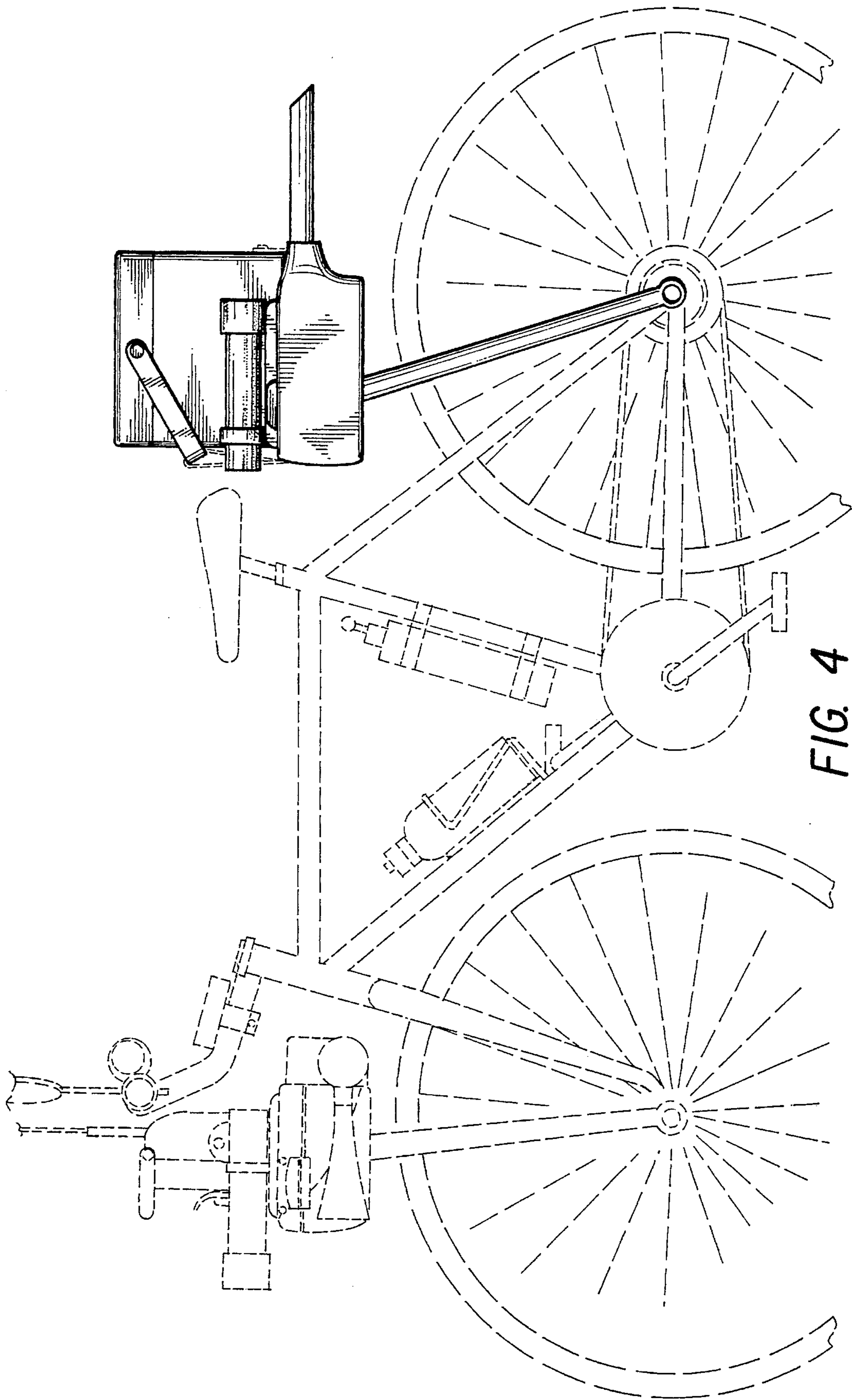


FIG. 4

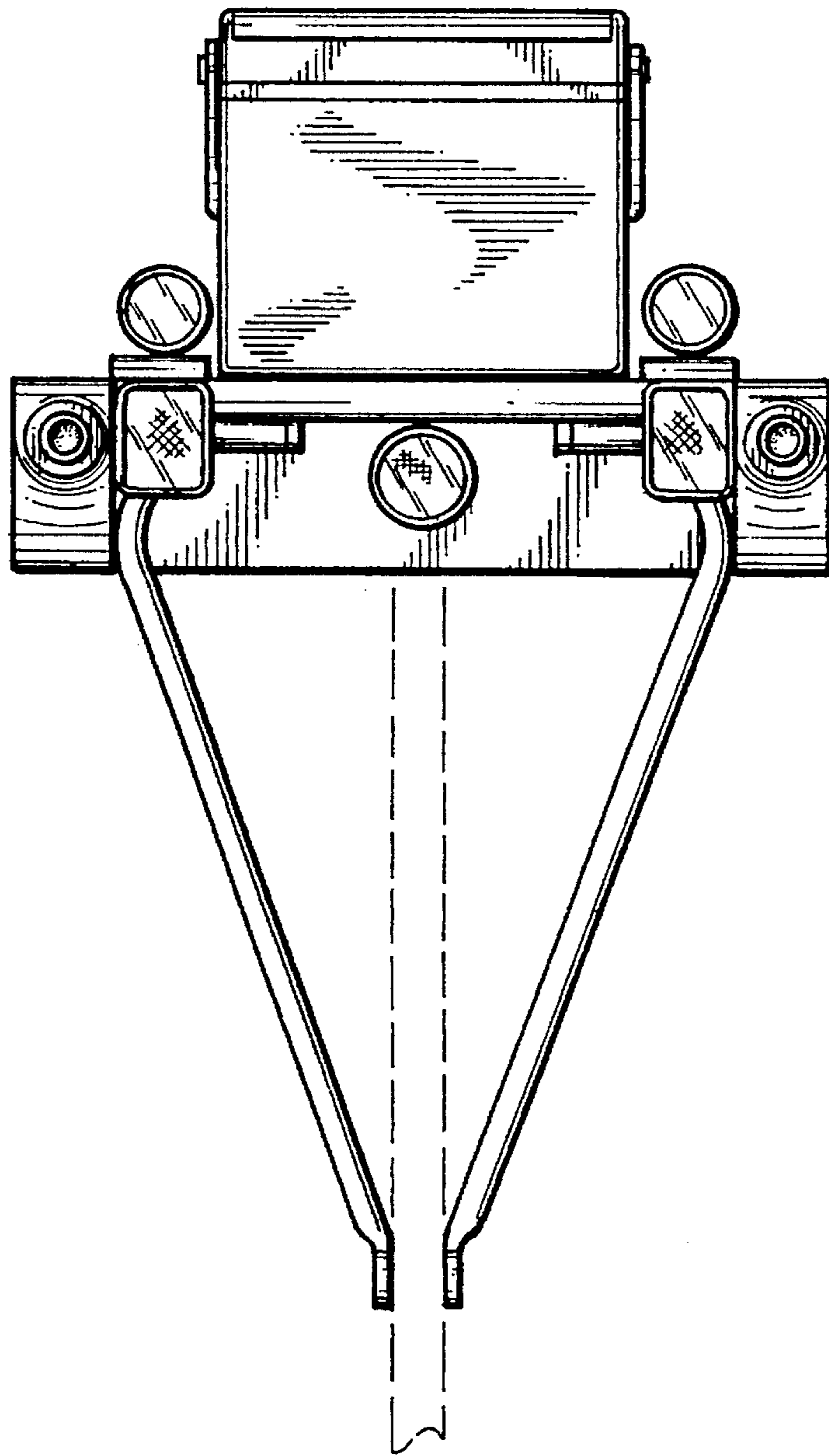


FIG. 5