



US00D374651S

United States Patent [19]

[11] Patent Number: **Des. 374,651**

Townsend

[45] Date of Patent: ****Oct. 15, 1996**

[54] **PAIR OF T-TOP COVERS FOR TWO-SEATER SPORTS CAR**

Attorney, Agent, or Firm—Townsend and Townsend and Crew LLP

[76] Inventor: **Kevin P. Townsend**, 535 Chalan Pale R.H., #116-16, Yigo, Guam, 92629

[57] **CLAIM**

[**] Term: **14 Years**

The ornamental design for a pair of T-top covers for a two-seater sports car, as shown and described.

[21] Appl. No.: **33,460**

DESCRIPTION

[22] Filed: **Jan. 13, 1995**

[52] U.S. Cl. **D12/401**

[58] Field of Search **D12/401, 404;**
296/146.14, 216, 218, 220, 79

FIG. 1 is a perspective view of a pair of T-top covers for a two-seater sports car showing my new design on a two-seater sports car;

FIG. 2 is an enlarged top view thereof;

FIG. 3 is an enlarged bottom view thereof;

FIG. 4 is an enlarged front view thereof;

FIG. 5 is an enlarged left side view thereof, the right side view being a mirror image; and,

FIG. 6 is an enlarged fragmentary bottom perspective view of a corner of one of the covers.

The broken line showing of a sports car in FIG. 1 is for illustrative purposes only and forms no part of the claimed design.

The pair of covers are shown in position of use in FIG. 1 with certain features hidden from view. Specifically, the peripheral border of the covers shown in FIGS. 2, 3, 4, 5 and 6 is wrapped around the car frame and is not visible in FIG. 1.

[56] **References Cited**

U.S. PATENT DOCUMENTS

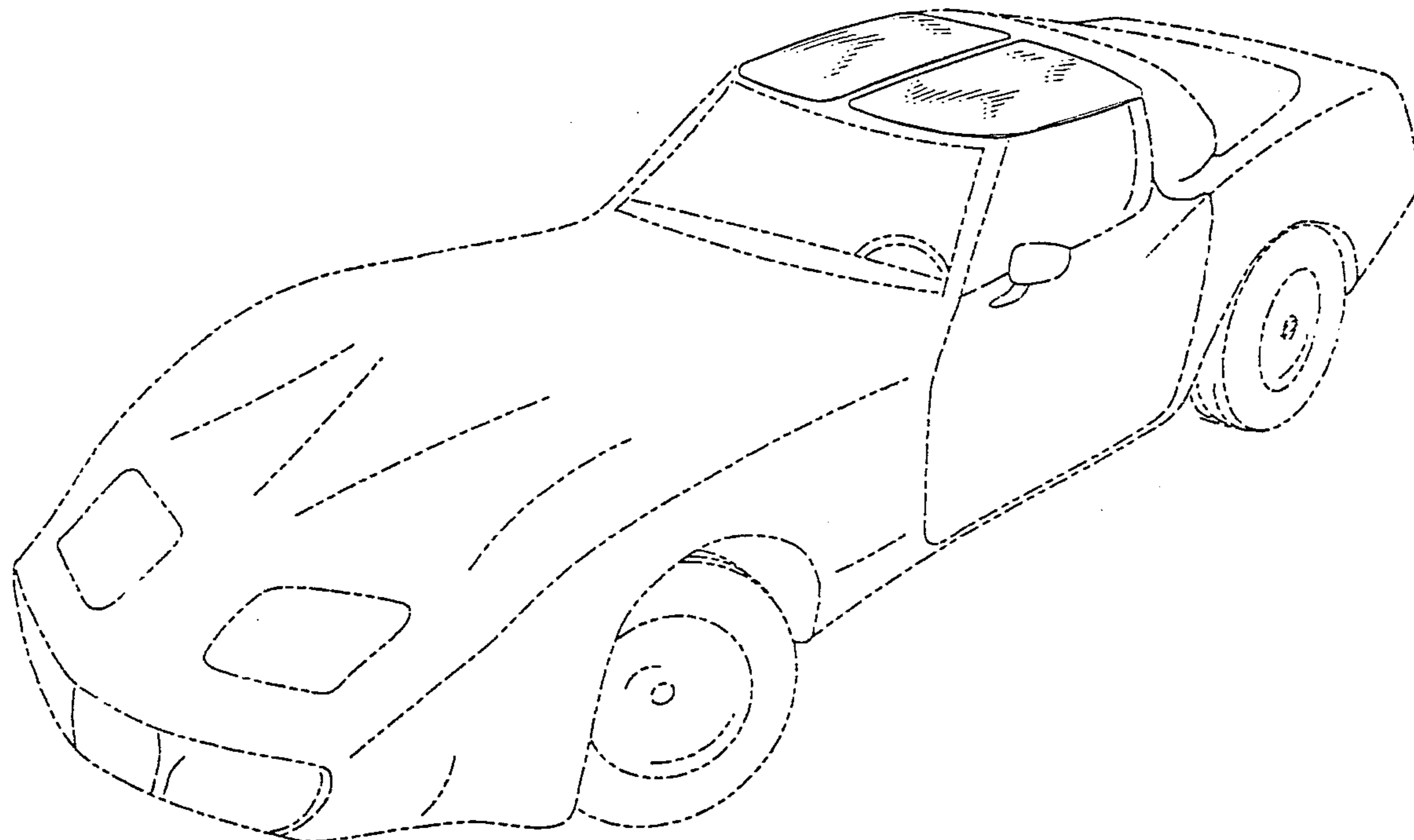
4,582,358	4/1986	Draper	296/218 X
4,729,596	3/1988	Fujihara et al.	296/218
5,158,335	10/1992	Usuta et al.	296/218 X
5,325,585	7/1994	Sasaki et al.	296/216 X

OTHER PUBLICATIONS

JC Whitney Catalog, Mar. 2, 1992, p. 30, 1-pc. Transparent Top.

Primary Examiner—James M. Gandy
Assistant Examiner—Stacia Sinuik

1 Claim, 2 Drawing Sheets



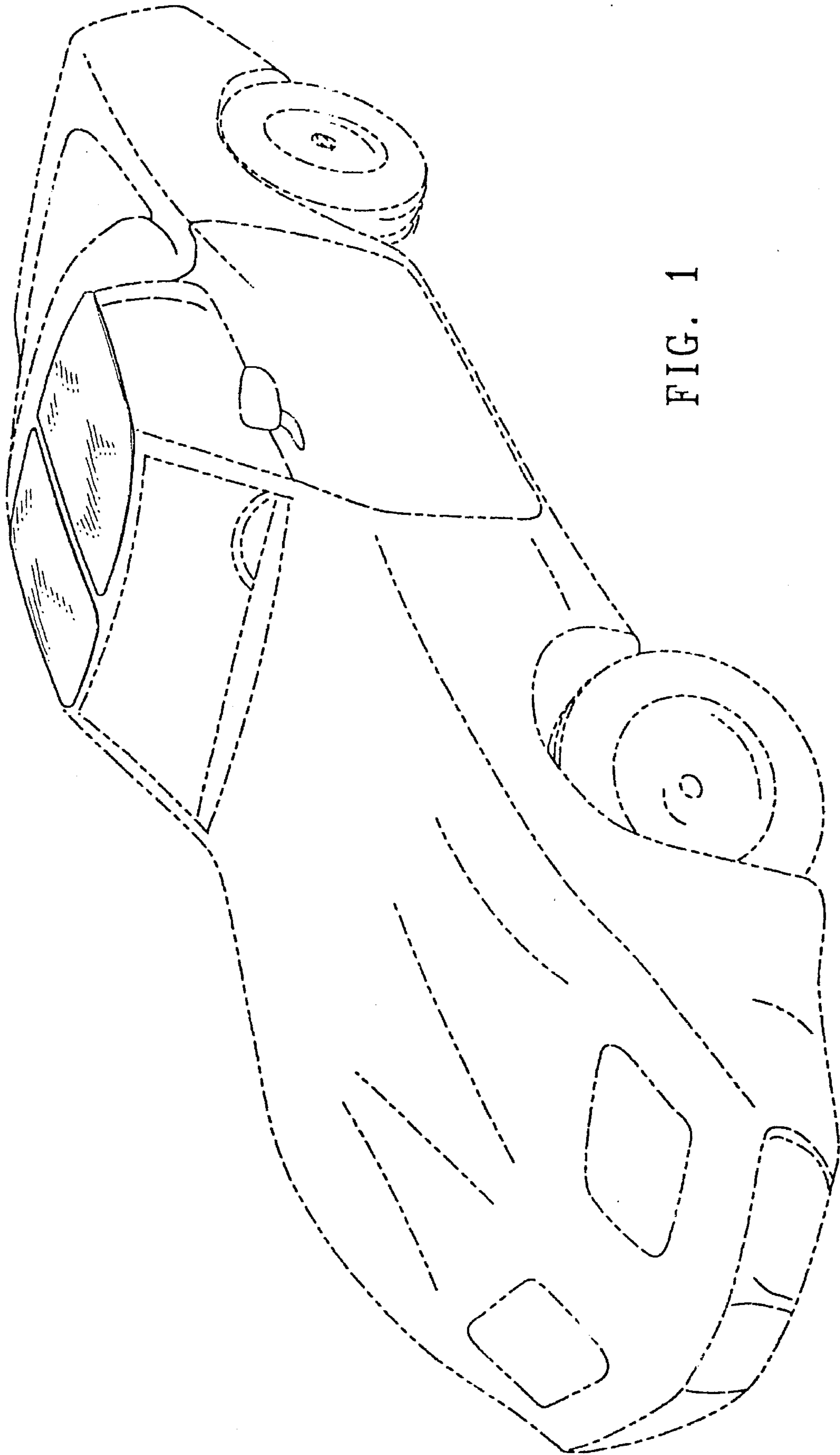


FIG. 1



FIG. 5

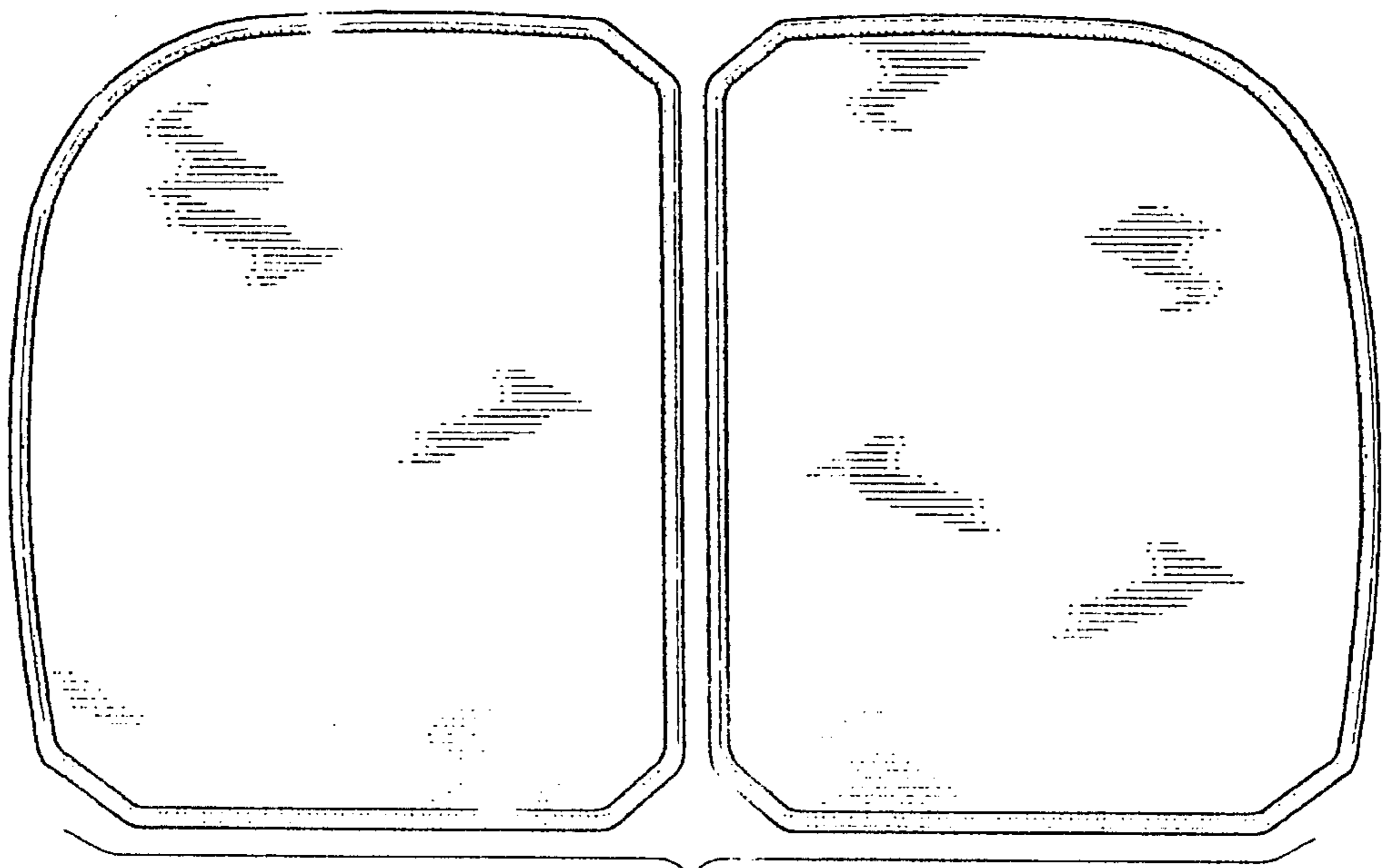


FIG. 2



FIG. 4

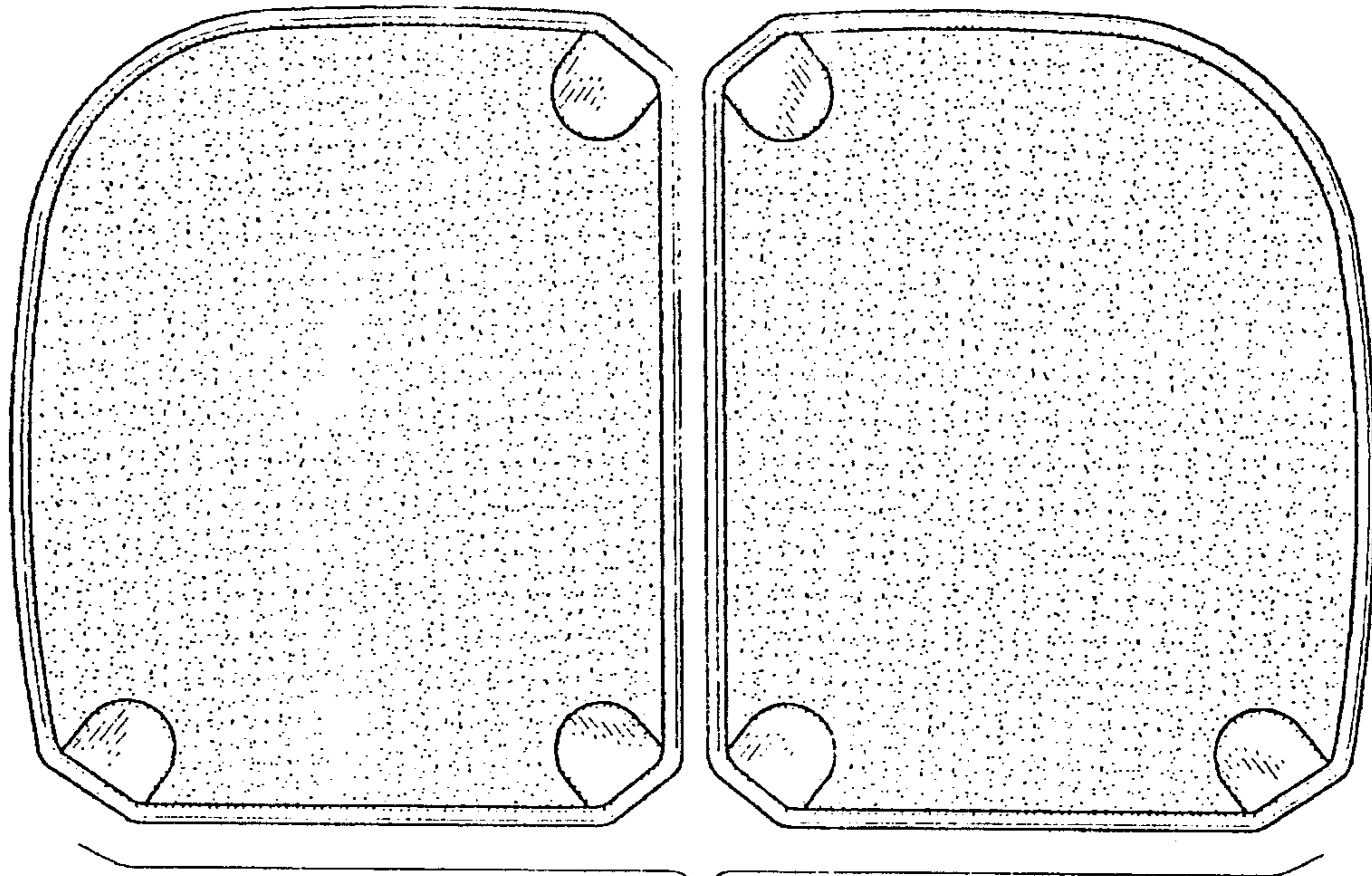


FIG. 3

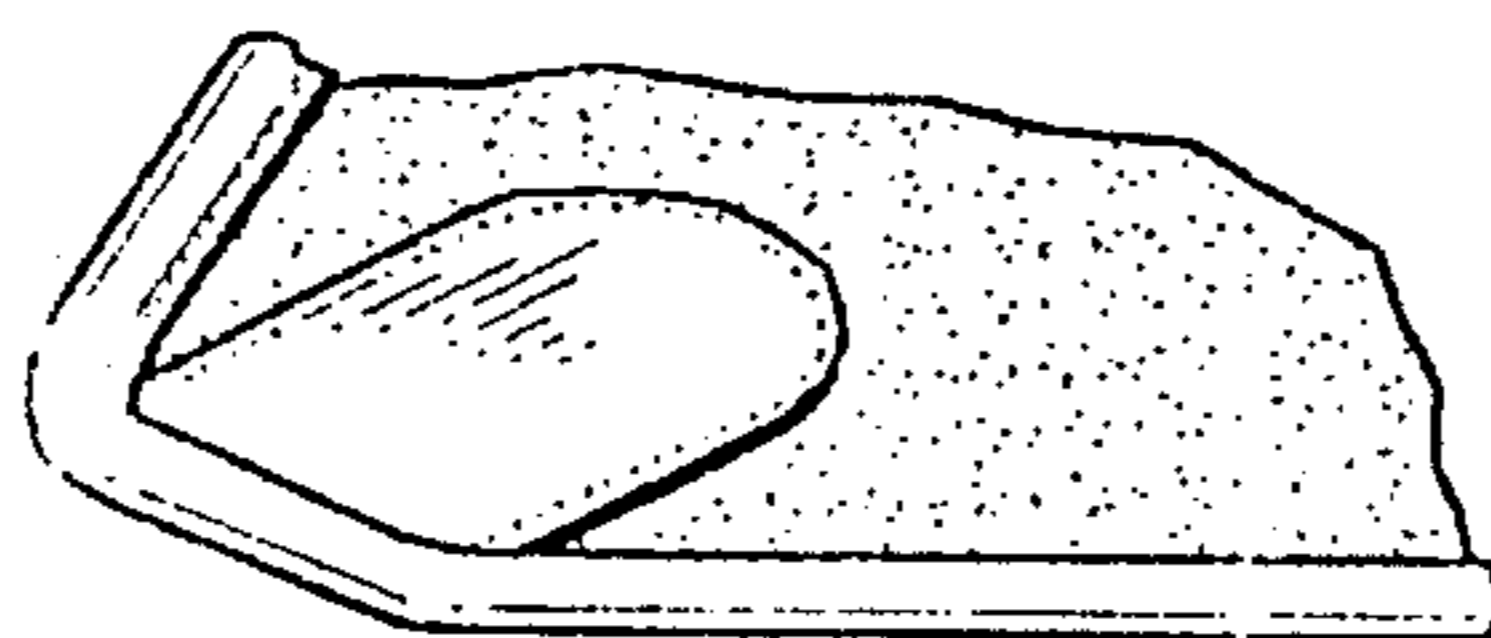


FIG. 6