



US00D374648S

United States Patent [19]
Pfeiffer

[11] **Patent Number: Des. 374,648**

[45] **Date of Patent: **Oct. 15, 1996**

[54] **FRONT FACE OF A VEHICLE WHEEL**

[75] Inventor: **Peter Pfeiffer**, Boeblingen, Germany

[73] Assignee: **Mercedes-Benz AG**, Stuttgart, Germany

[**] Term: **14 Years**

[21] Appl. No.: **23,413**

[22] Filed: **May 24, 1994**

[30] **Foreign Application Priority Data**

Nov. 26, 1993 [DE] Germany M 93 09 158.3

[52] **U.S. Cl.** **D12/209**

[58] **Field of Search** D12/209, 211;
301/64.1, 65

[56] **References Cited**

U.S. PATENT DOCUMENTS

D. 288,313 2/1987 Sandbere D12/211

OTHER PUBLICATIONS

1992 Chrysler/Plymouth Brochure, p. 15, Wheel on Colt Vista AWD Automobile, bottom of page.

Custom Wheel & Tire Style Guide Supplement to Tire Review, May 1993, p. 19, Platecorp Wheels 1 & 2, top right side of page.

Primary Examiner—James M. Gandy

Attorney, Agent, or Firm—Evenson, McKeown, Edwards and Lenahan, P.L.L.C.

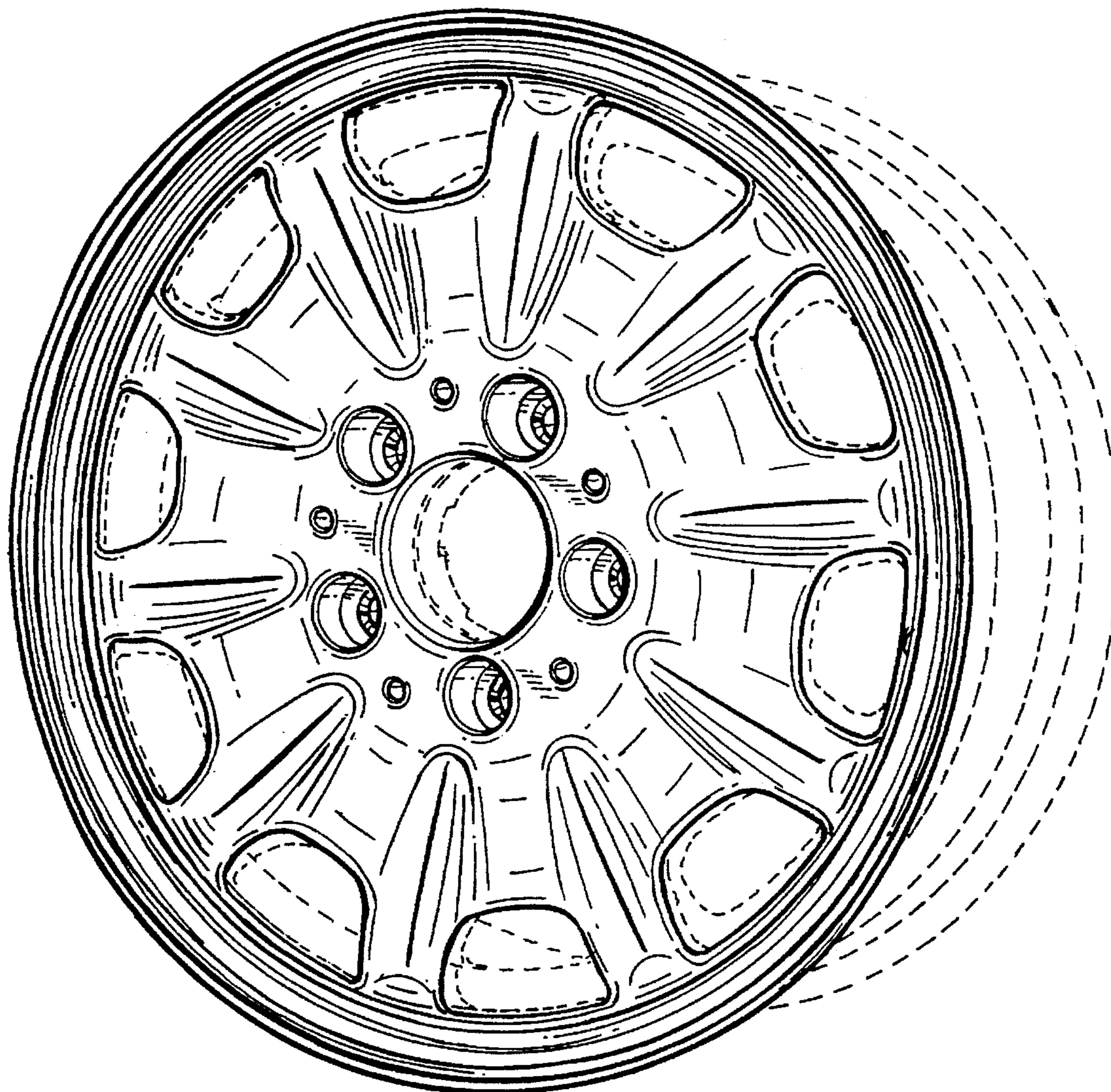
[57] **CLAIM**

The ornamental design for a front face of a vehicle wheel, as shown and described.

DESCRIPTION

FIG. 1 is a frontal perspective view of a front face of a vehicle wheel according to my novel design; and, FIG. 2 is a frontal view of a front face of a vehicle wheel according to my novel design.

1 Claim, 2 Drawing Sheets



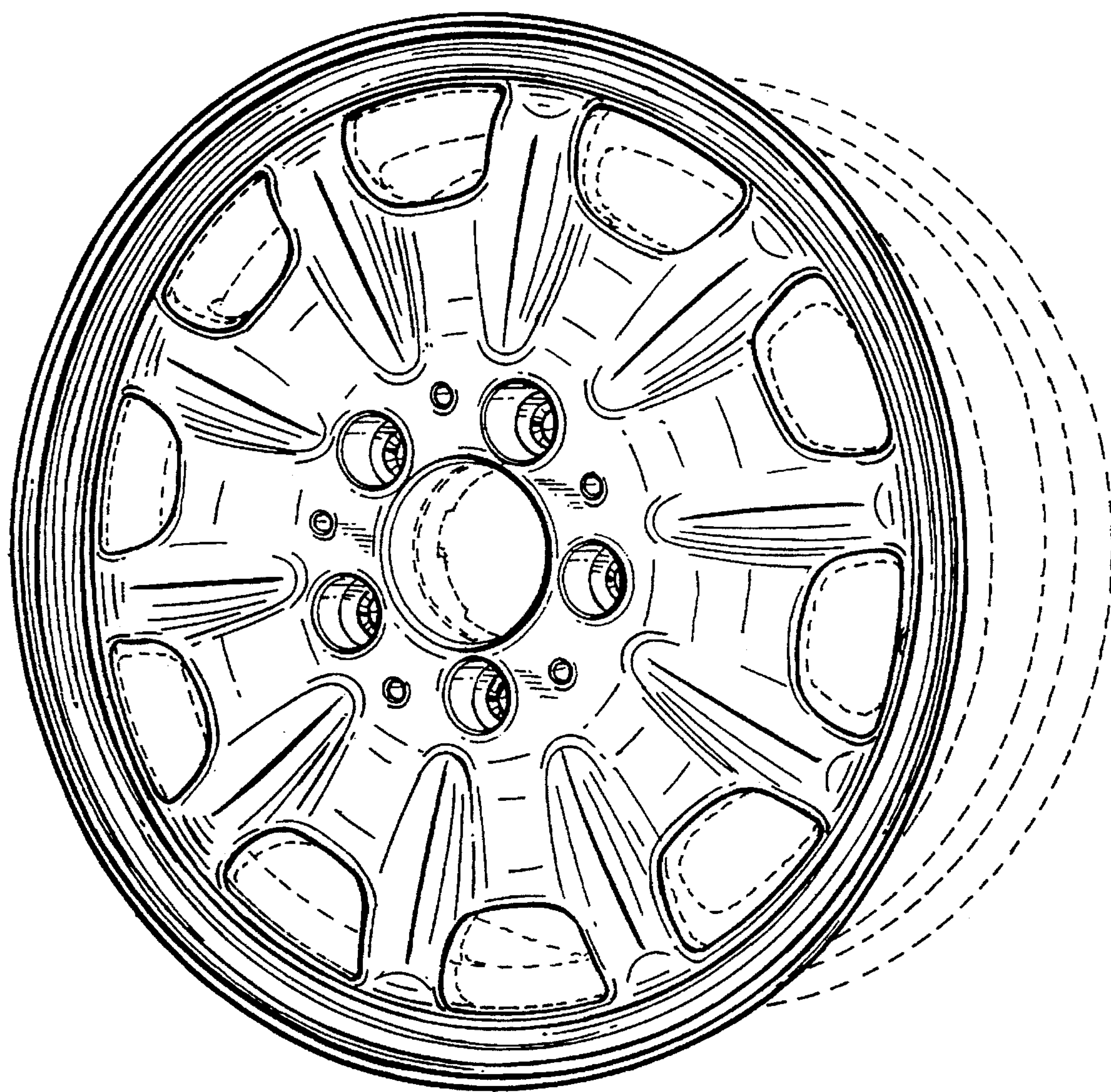


FIG. 1

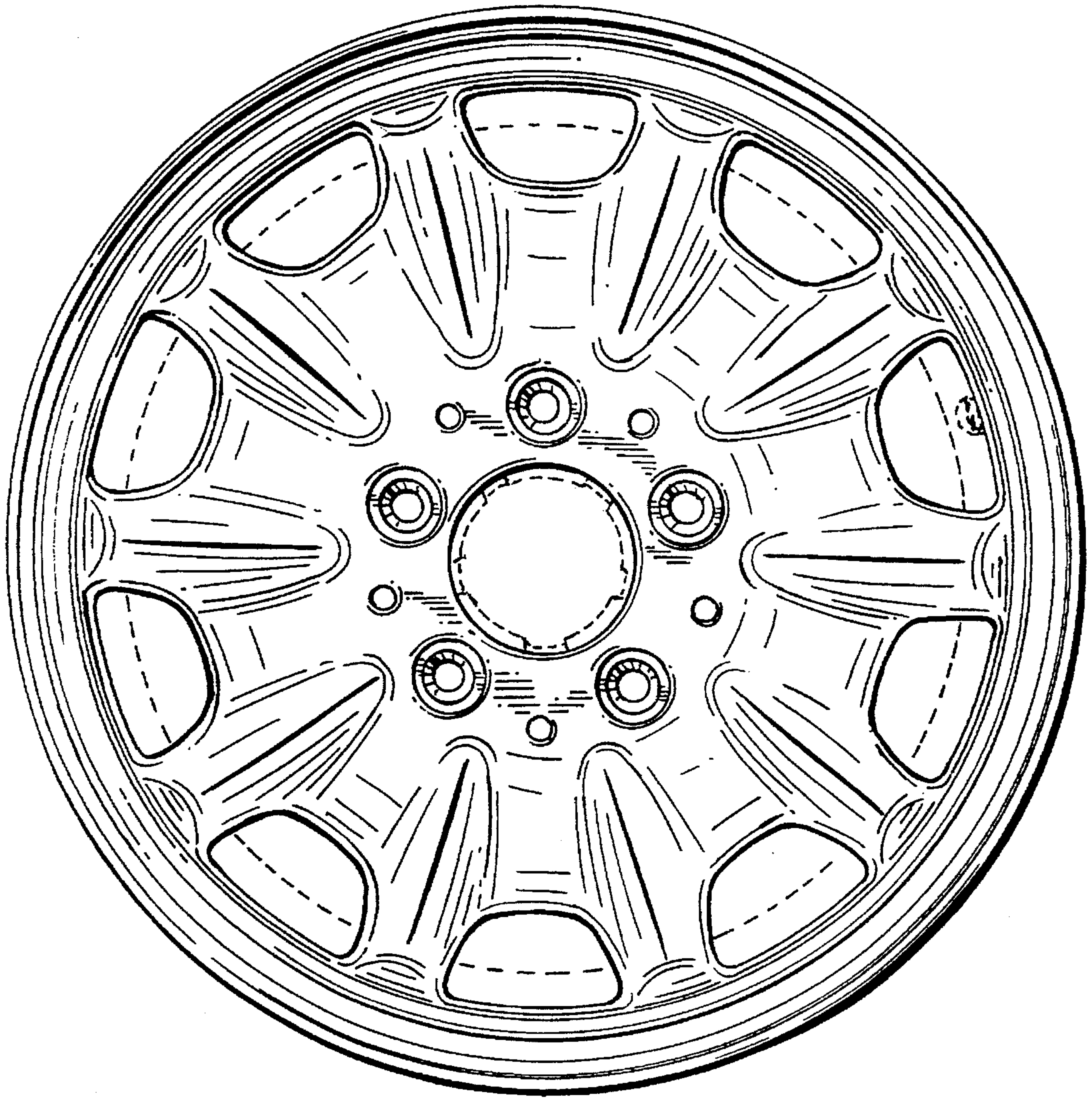


FIG. 2