



US00D374645S

# United States Patent [19]

Hanson et al.

[11] Patent Number: **Des. 374,645**

[45] Date of Patent: **\*\*Oct. 15, 1996**

[54] **HITCH BOX EXTENSION**

5,458,389 10/1995 Broad ..... 295/26  
5,478,124 12/1995 Warrington et al. .... 280/416.1

[75] Inventors: **Marvin L. Hanson**, Vandalia, Mich.;  
**Richard McCoy**, Granger, Ind.; **Jon L. Krager**, Cassopolis, Mich.

### OTHER PUBLICATIONS

J C Whitney & Co. Catalog, H0575c, pp. 95, 88, the hitch extension bar.

[73] Assignee: **Reese Products, Inc.**, Elkhart, Ind.

*Primary Examiner*—Melody N. Brown  
*Attorney, Agent, or Firm*—King and Schickli

[\*\*] Term: **14 Years**

[21] Appl. No.: **44,557**

### [57] CLAIM

[22] Filed: **Sep. 26, 1995**

The ornamental design for a hitch box extension, as shown.

[52] U.S. Cl. .... **D12/162**

### DESCRIPTION

[58] Field of Search ..... D12/162, 104;  
280/482, 490.1, 491, 495, 415.1, 416.1;  
224/405; 403/128-130

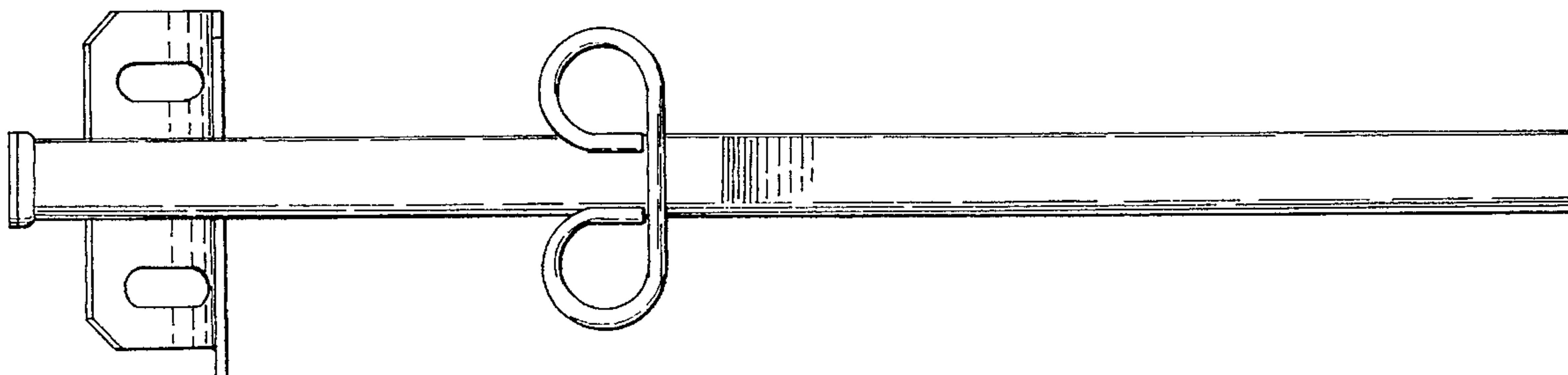
FIG. 1 is a top view thereof;  
FIG. 2 is an enlarged right side elevational view thereof;  
FIG. 3 is a greatly enlarged rear view thereof;  
FIG. 4 is an enlarged left side elevational view thereof;  
FIG. 5 is a greatly enlarged front view thereof; and,  
FIG. 6 is a bottom view thereof.

### [56] References Cited

#### U.S. PATENT DOCUMENTS

4,202,562 5/1980 Sorenson ..... 280/415.1  
5,354,087 10/1994 Head ..... 280/490.1  
5,451,088 9/1995 Young ..... 295/26

**1 Claim, 2 Drawing Sheets**

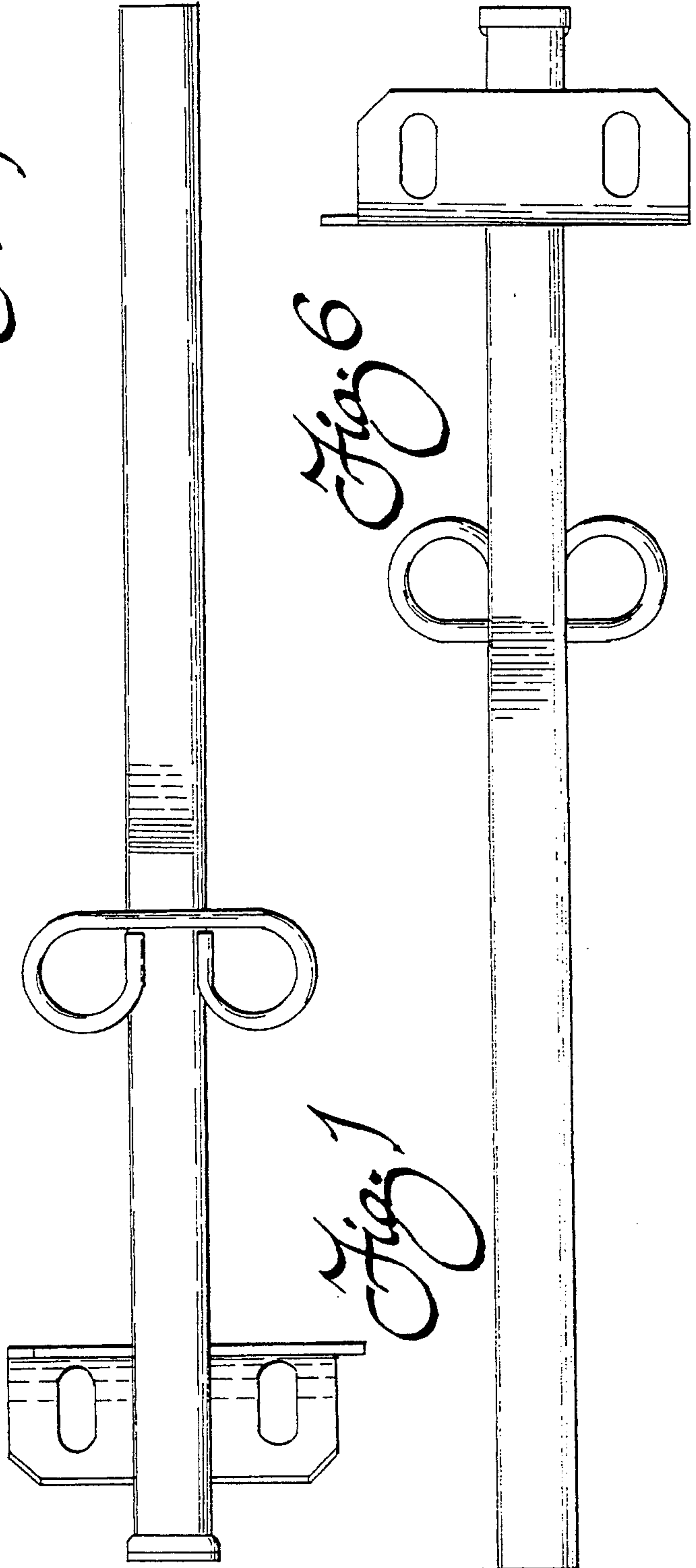




*Fig. 2*

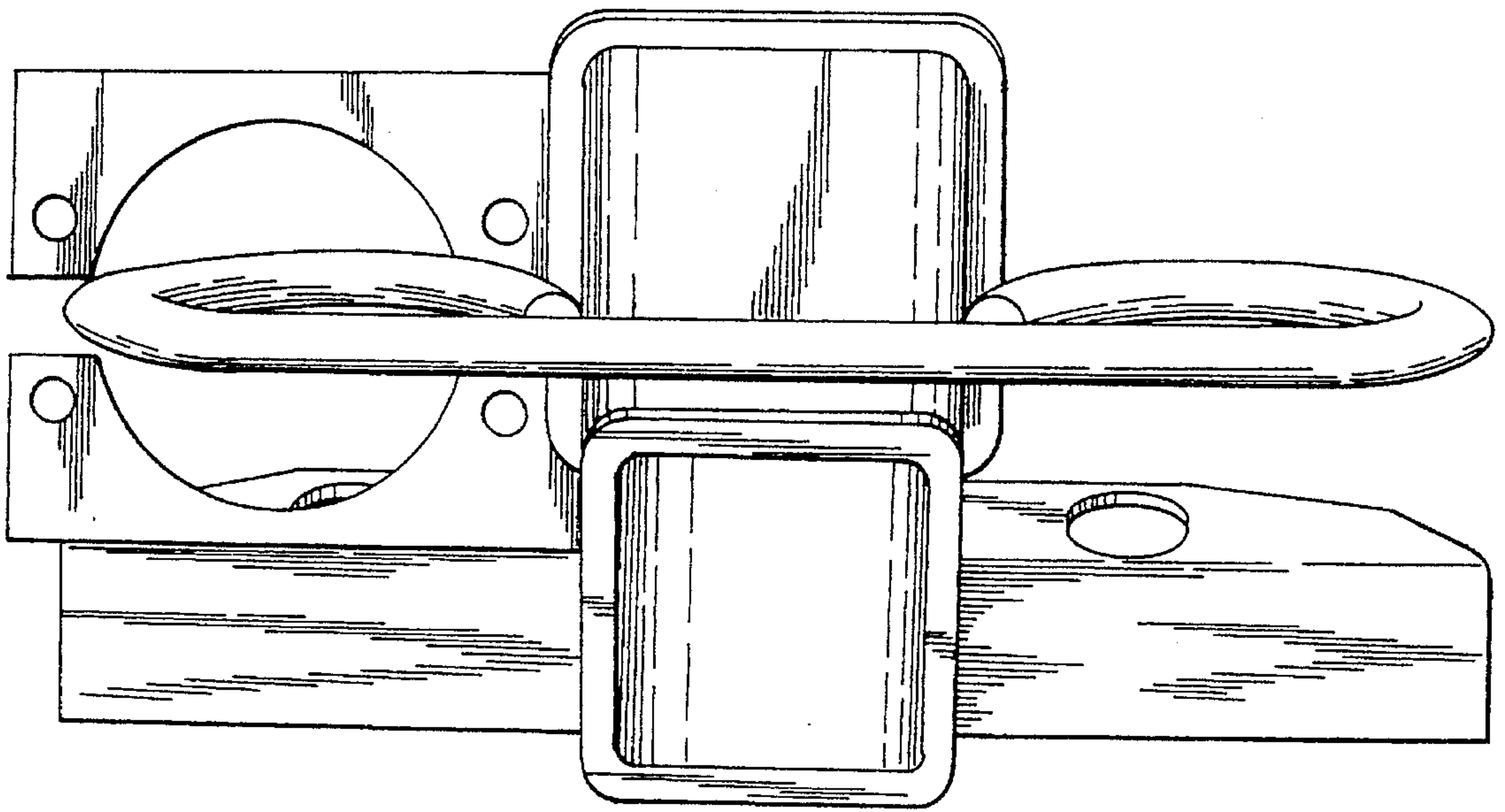


*Fig. 4*

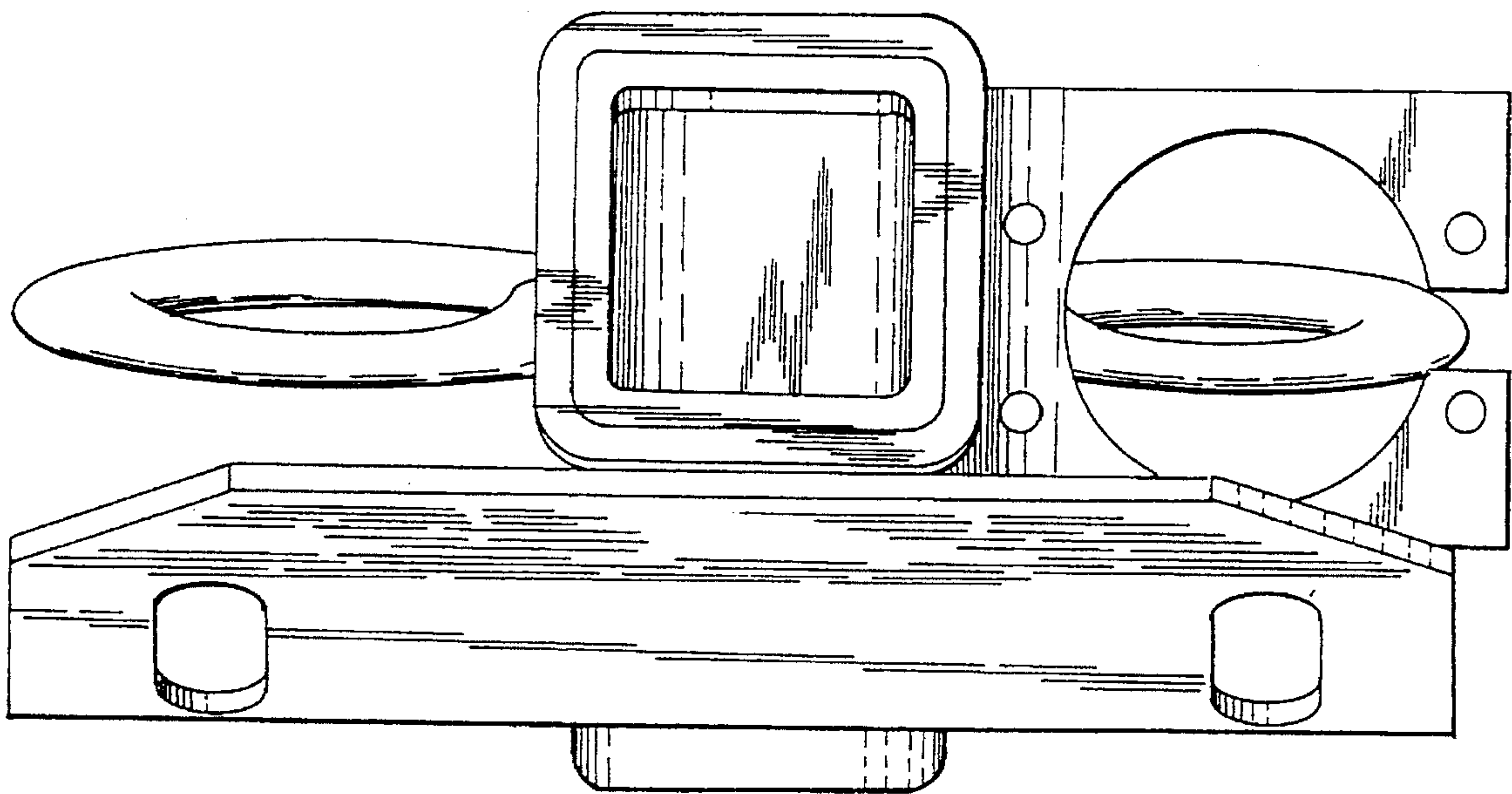


*Fig. 6*

*Fig. 1*



*Fig. 3*



*Fig. 5*