



US00D374643S

**United States Patent** [19]  
**Niemeyer**

[11] **Patent Number: Des. 374,643**  
[45] **Date of Patent: \*\*Oct. 15, 1996**

[54] **CHILD'S BICYCLE**  
[75] Inventor: **Duane J. Niemeyer, Olney, Ill.**  
[73] Assignee: **Roadmaster Corporation, Olney, Ill.**  
[\*\*] Term: **14 Years**  
[21] Appl. No.: **26,053**  
[22] Filed: **Jul. 18, 1994**

D. 343,810 2/1994 Sanborn ..... D12/111  
D. 344,046 2/1994 Kitagawa et al. .... D12/110  
D. 350,087 8/1994 Sanborn ..... D12/111  
4,730,840 3/1958 Goldmeir ..... 280/210

**Related U.S. Application Data**

[63] Continuation of Ser. No. 248,806, May 24, 1994, which is a continuation-in-part of Ser. No. 896,155, Jun. 10, 1992, Pat. No. 5,314,207.  
[52] **U.S. Cl.** ..... **D12/111**  
[58] **Field of Search** ..... D12/111; 280/281.1, 280/288.1, 288.2, 288.3, 282

**OTHER PUBLICATIONS**

U.S. Trademark Registration No. 07/467,938 1982.  
U.S. Trademark Registration No. 74/467,939 1949.  
U.S. Trademark Registration No. 74/467,941 1964.  
Brochure Roadmaster "1993 Pedalcycles", 3 pages.  
Brochure Entitled "Roadmaster Introduces the Harley-Davidson® of Bicycles", 6 pages, 1994 by Roadmaster Corporation.  
Article from *USA Today* Newspaper entitled "Toys for Little Angels or Kids Born to be Wild", one page, Feb. 11, 1994.  
Hedstrom 1985 Catalog, pp. 4-9.  
Brochure, Rand International "Barbie for Girls", 4 pages, 1993.

*Primary Examiner*—Melody H. Brown  
*Attorney, Agent, or Firm*—Steven P. Shurtz; Brinks Hofer Gilson & Lione

**References Cited**

**U.S. PATENT DOCUMENTS**

D. 149,968 6/1948 Oertle et al. .... D12/110  
D. 170,610 10/1953 Sebel ..... D12/111  
D. 219,608 12/1970 Carver et al. .... D21/81  
D. 241,330 9/1976 Morioka et al. .... D12/110  
D. 267,245 12/1982 Iwasaki ..... D12/110  
D. 274,052 5/1984 Iwakura et al. .... D12/110  
D. 277,090 1/1985 Iwakura et al. .... D12/110  
D. 281,870 12/1985 Nakano ..... D12/110  
D. 283,689 5/1986 Nakano et al. .... D12/110  
D. 295,029 4/1988 Kizawa et al. .... D12/110  
D. 297,721 9/1988 Kaneko et al. .... D12/110  
D. 299,710 2/1989 Iwakura et al. .... D12/110  
D. 305,748 1/1990 Kaneko et al. .... D12/110  
D. 310,053 8/1990 Kishi et al. .... D12/110  
D. 326,247 5/1992 Hess ..... D12/111

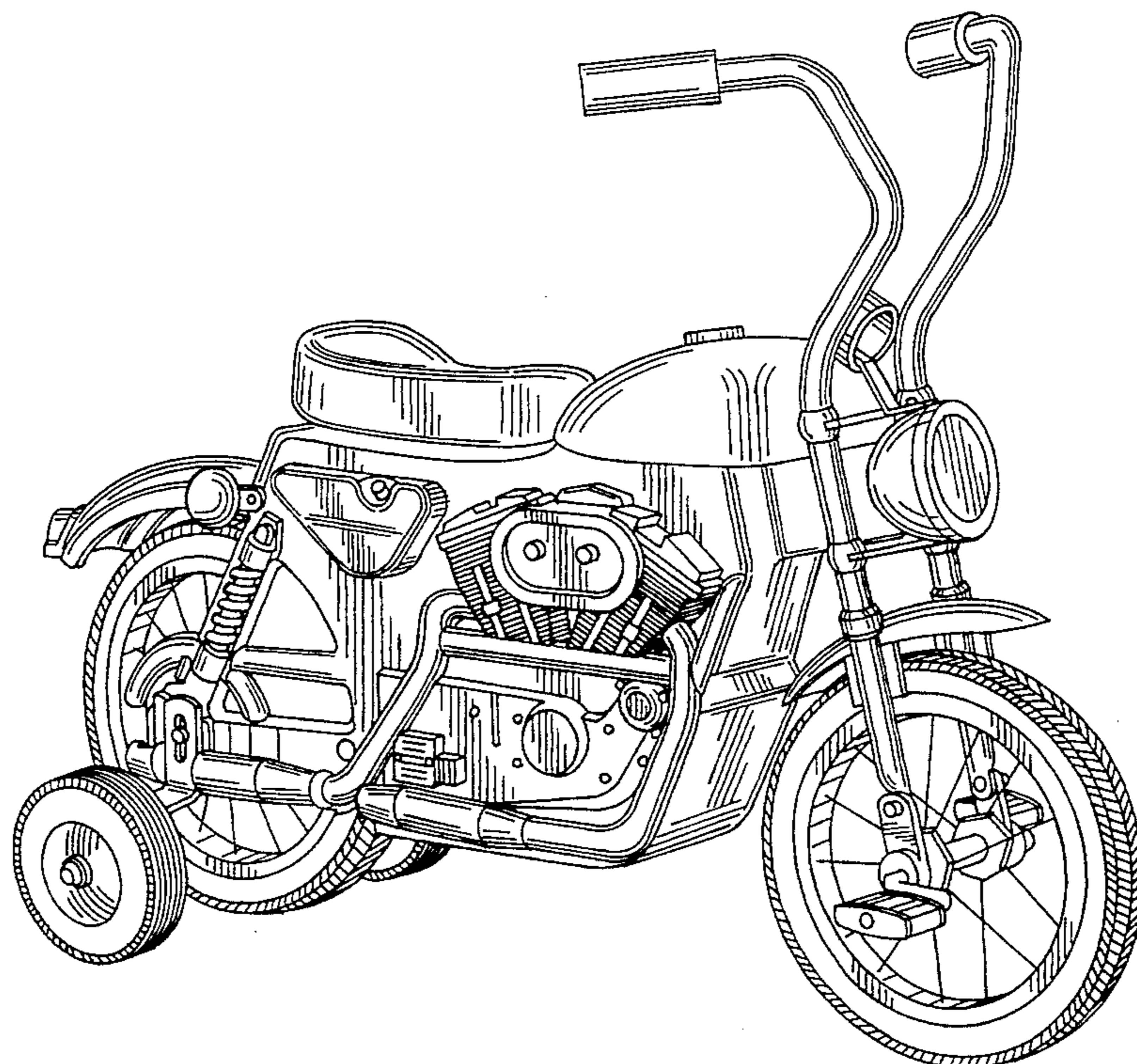
**CLAIM**

[57] The ornamental design for a child's bicycle, as shown.

**DESCRIPTION**

FIG. 1 is a right, front perspective view of a child's bicycle showing my new design;  
FIG. 2 is a right side elevational view thereof;  
FIG. 3 is a left side elevational view thereof;  
FIG. 4 is a top plan view thereof;  
FIG. 5 is a bottom plan view thereof;  
FIG. 6 is a front elevational view thereof; and,  
FIG. 7 is a rear elevational view thereof.

**1 Claim, 6 Drawing Sheets**



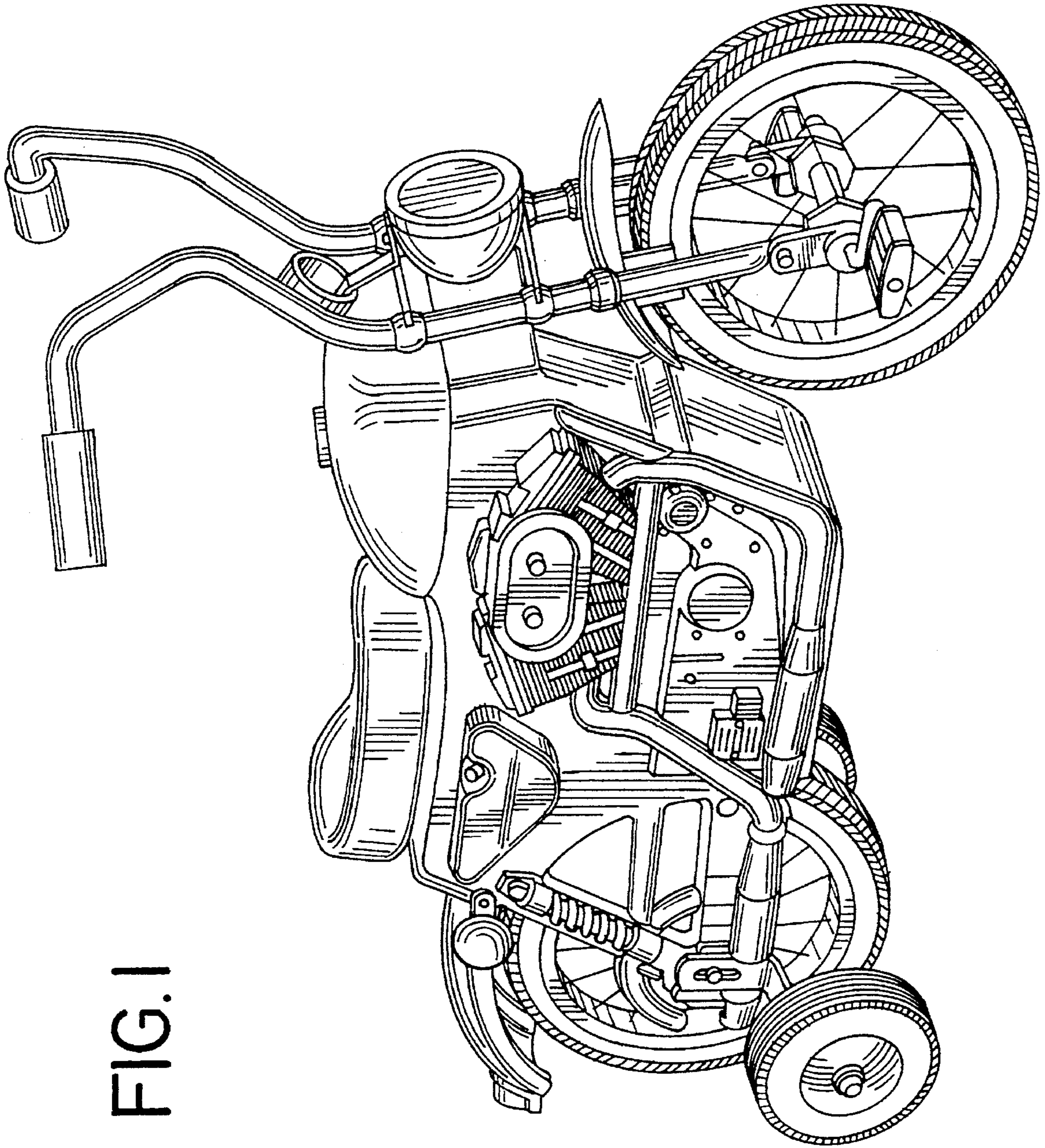


FIG. 1

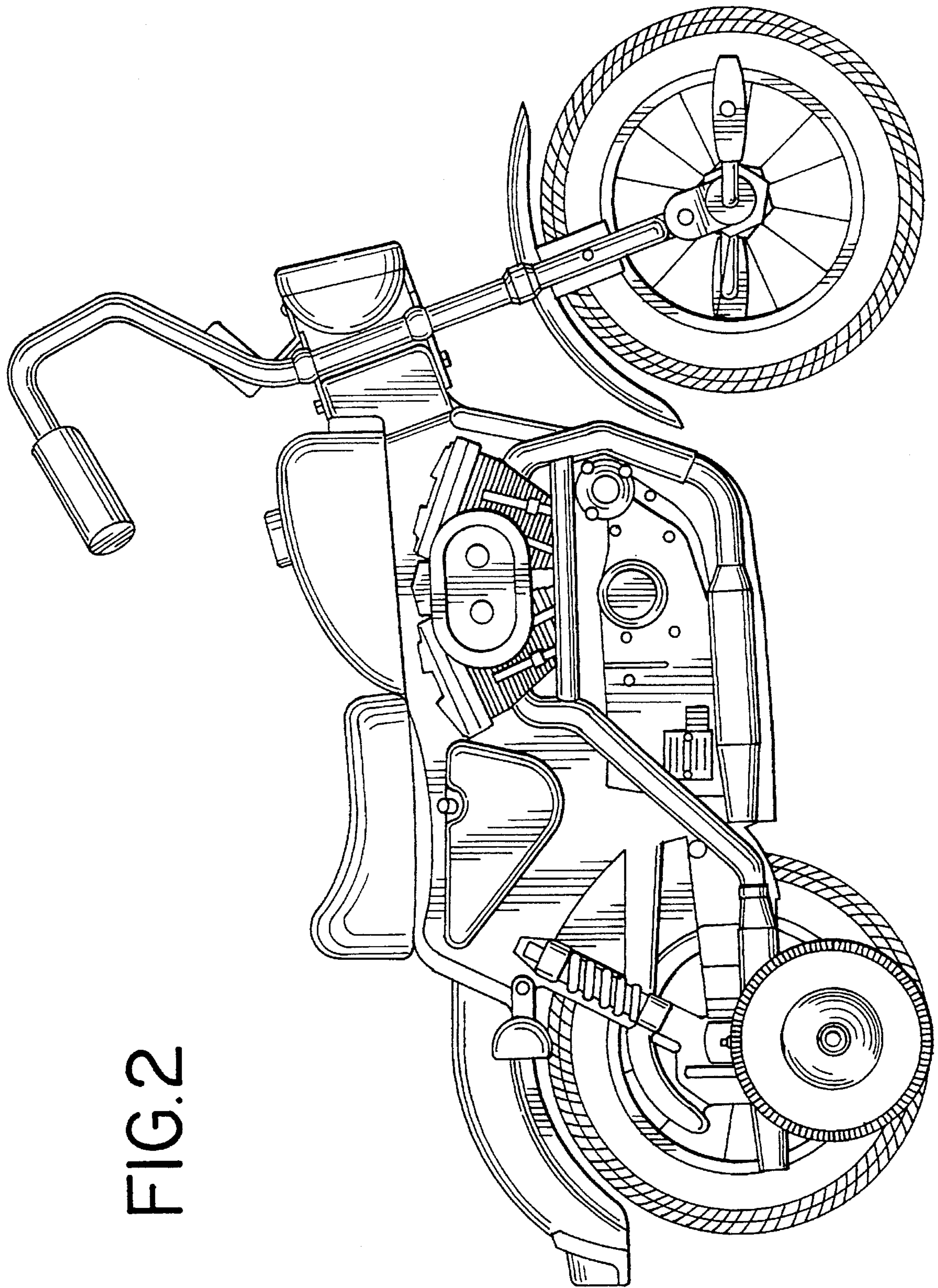


FIG. 2

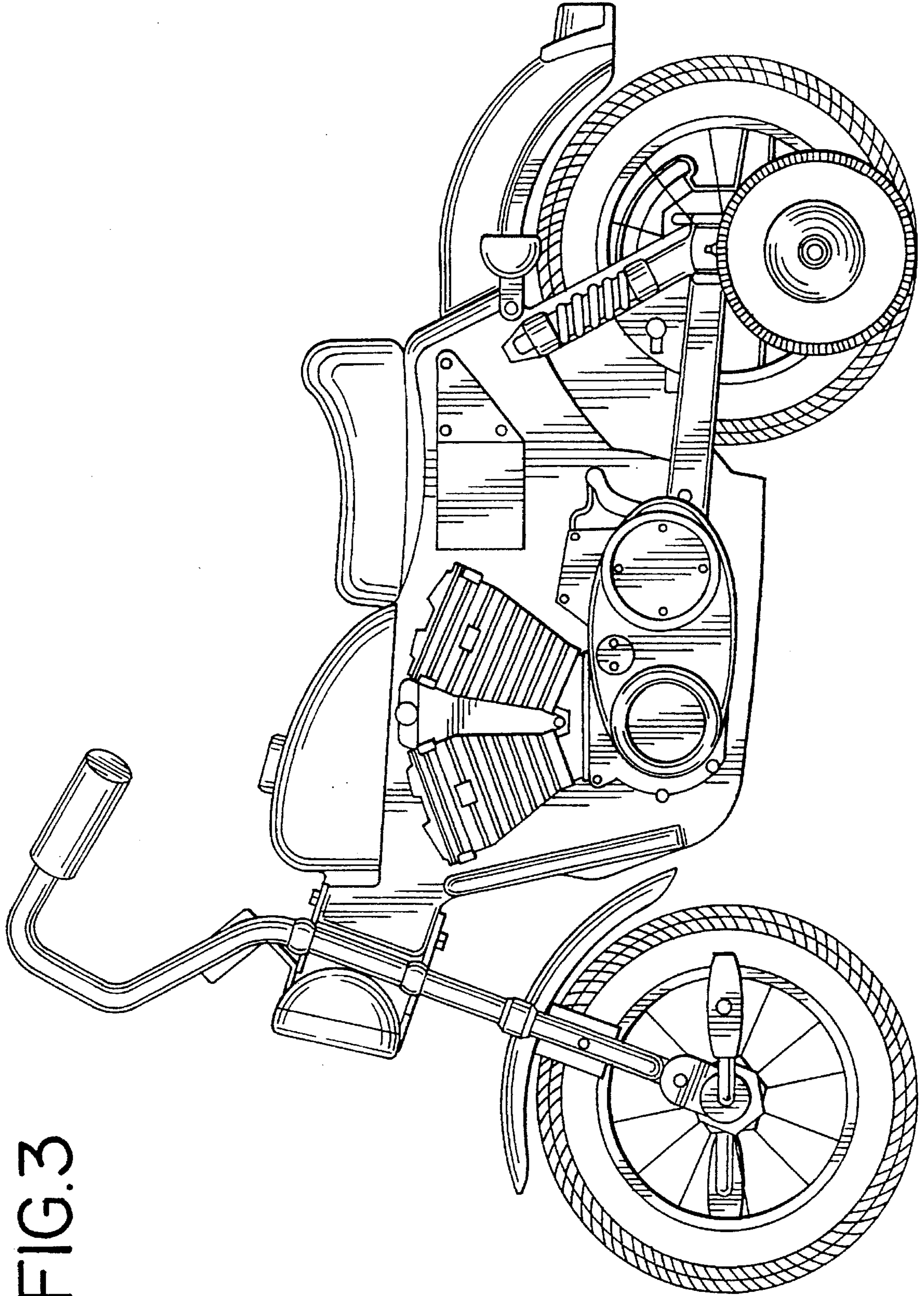


FIG. 3

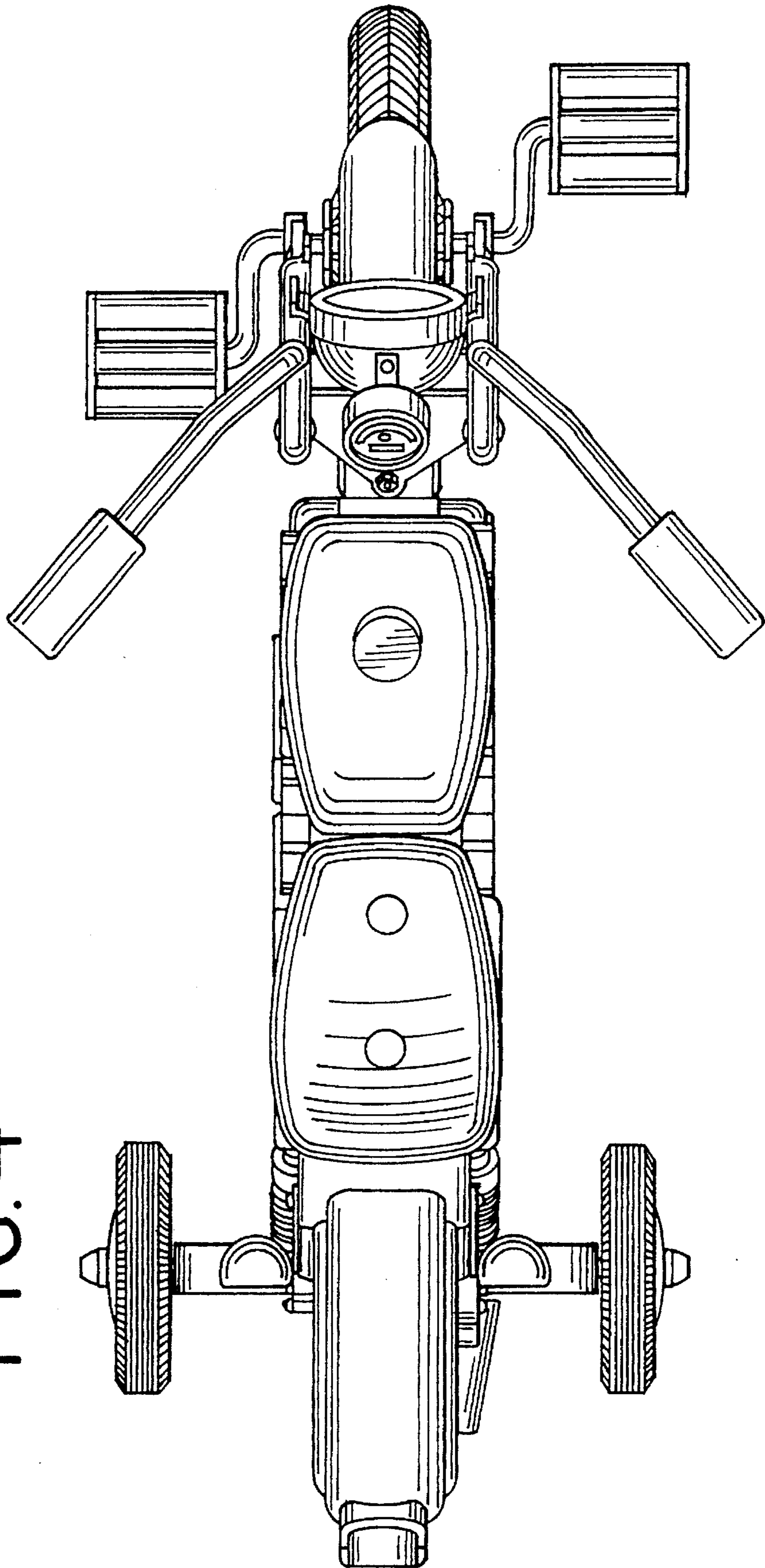


FIG. 4

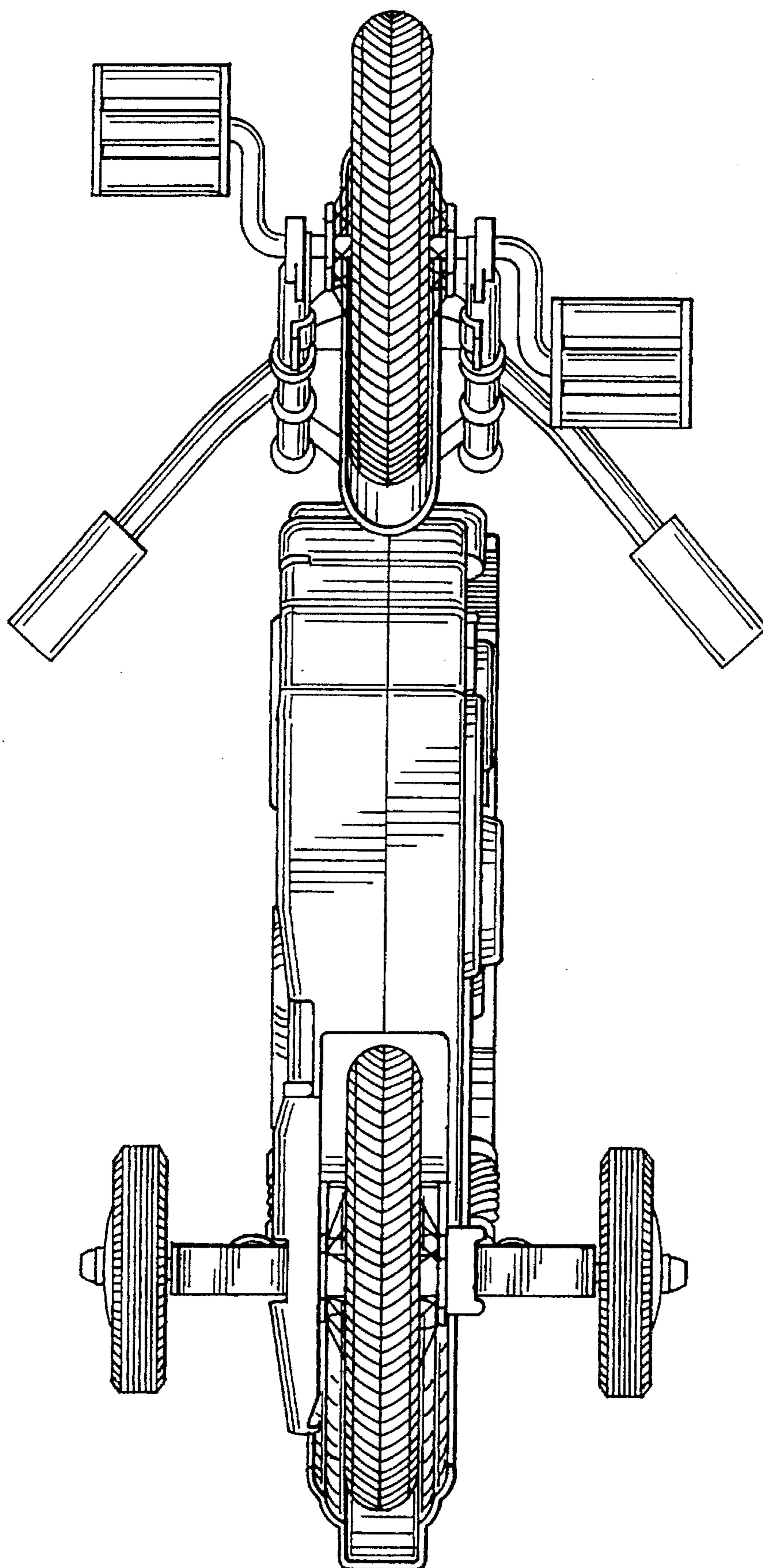


FIG. 5

FIG. 7

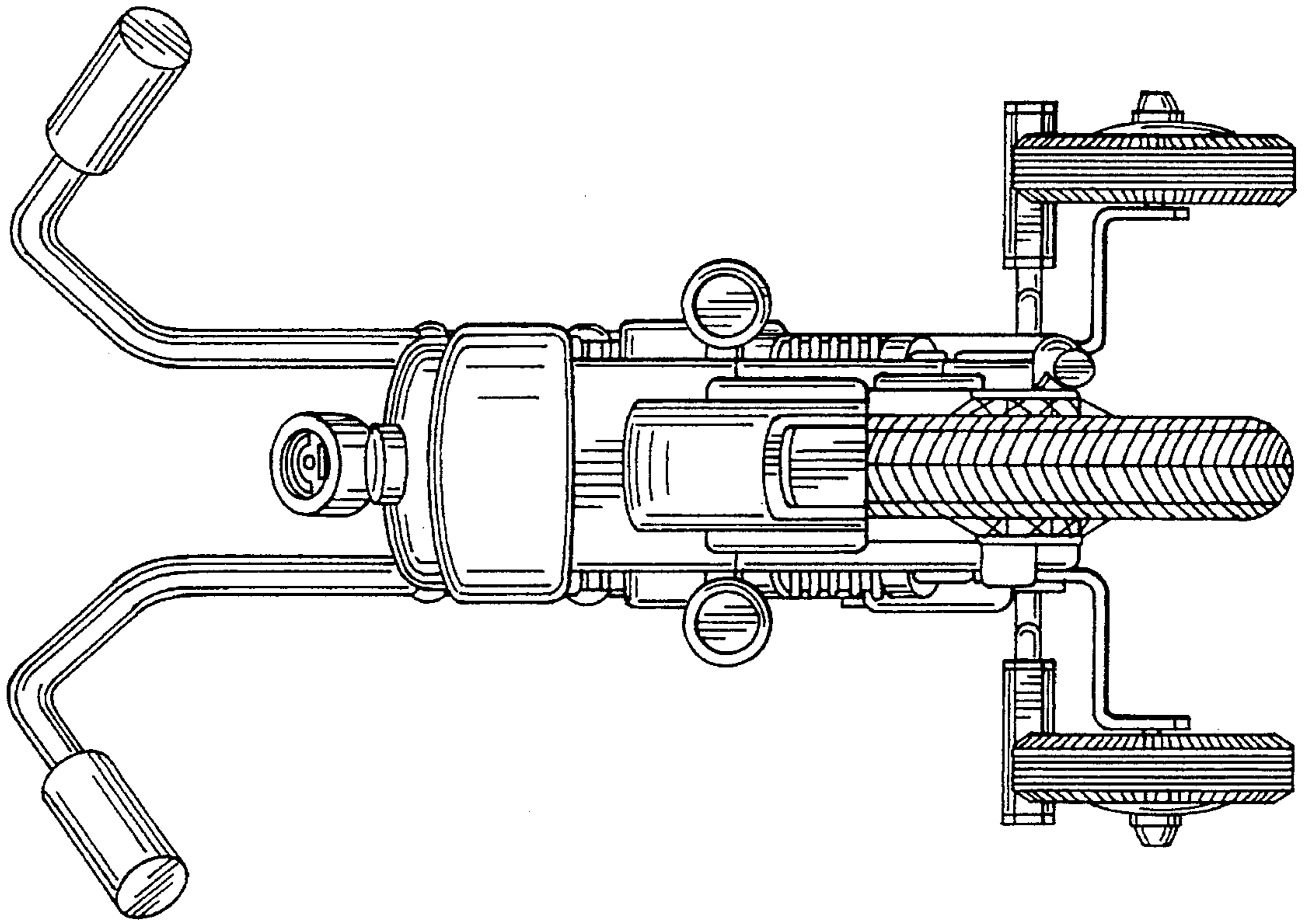


FIG. 6

