



US00D374641S

**United States Patent** [19]  
**Gaul**

[11] **Patent Number: Des. 374,641**  
[45] **Date of Patent: \*\*Oct. 15, 1996**

[54] **SKI SLED**

**FOREIGN PATENT DOCUMENTS**

[76] Inventor: **David J. Gaul**, 3533 Village Rd.,  
Laporte, Ind. 46350

811624 4/1969 Canada ..... 280/28.14

[\*\*] Term: **14 Years**

*Primary Examiner*—James M. Gandy

*Assistant Examiner*—Linda Brooks

[21] Appl. No.: **29,050**

[57] **CLAIM**

[22] Filed: **Sep. 28, 1994**

The ornamental design for a ski sled, as shown and described.

[52] U.S. Cl. .... **D12/9**

**DESCRIPTION**

[58] **Field of Search** ..... D21/229, 228,  
D21/230, 72; 280/819, 812, 14.1, 809,  
12.1, 21.1, 23.1, 28.14, 16, 601.22, 22.1;  
D12/9, 10; 434/253; 482/71

FIG. 1 is a front elevational view of the ski sled showing my new design;

FIG. 2 is a rear elevational view thereof;

FIG. 3 is a left side elevational view thereof;

FIG. 4 is a right side elevational view thereof;

FIG. 5 is a top plan view thereof; and,

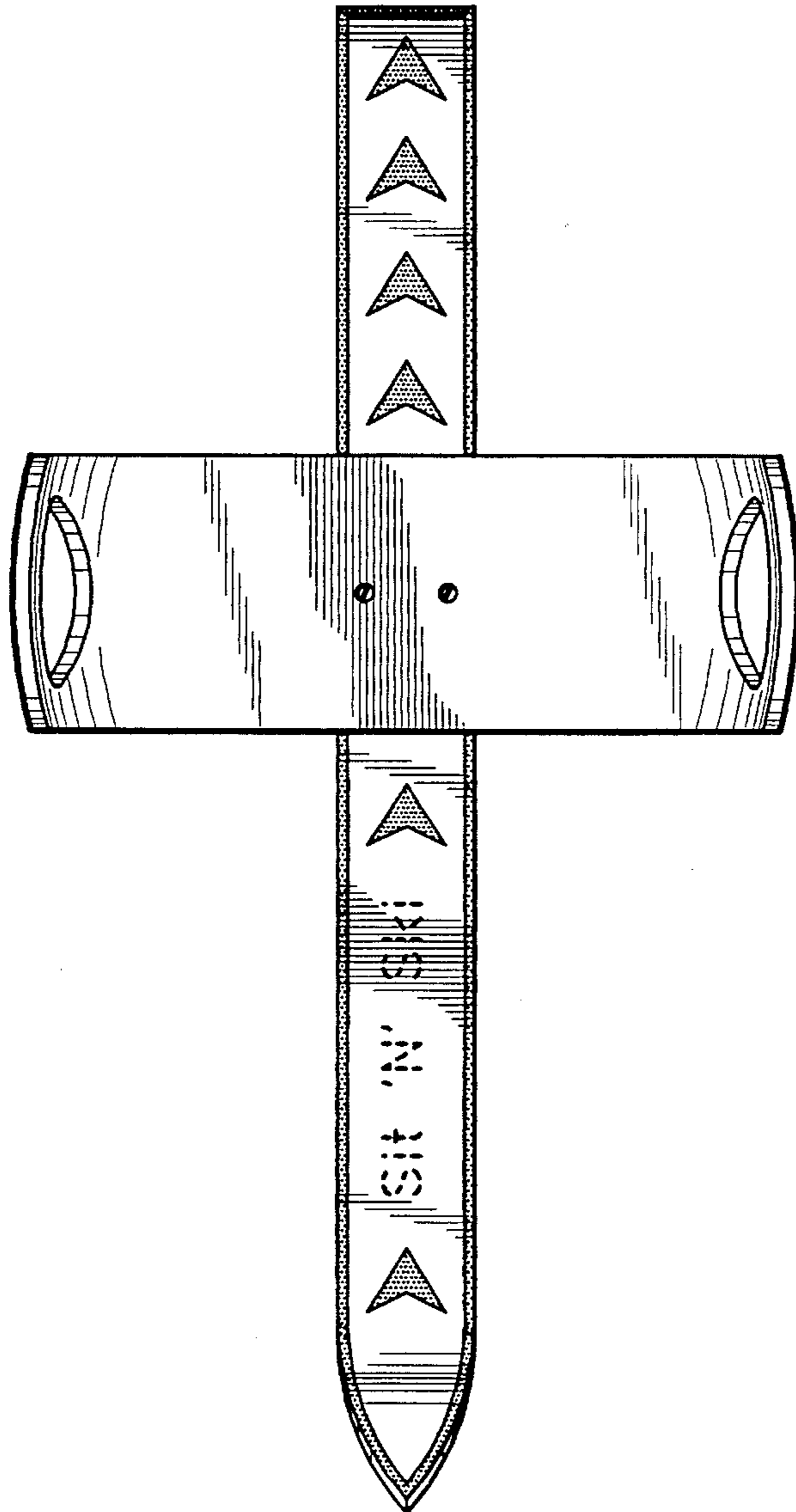
FIG. 6 is a bottom plan view thereof.

[56] **References Cited**

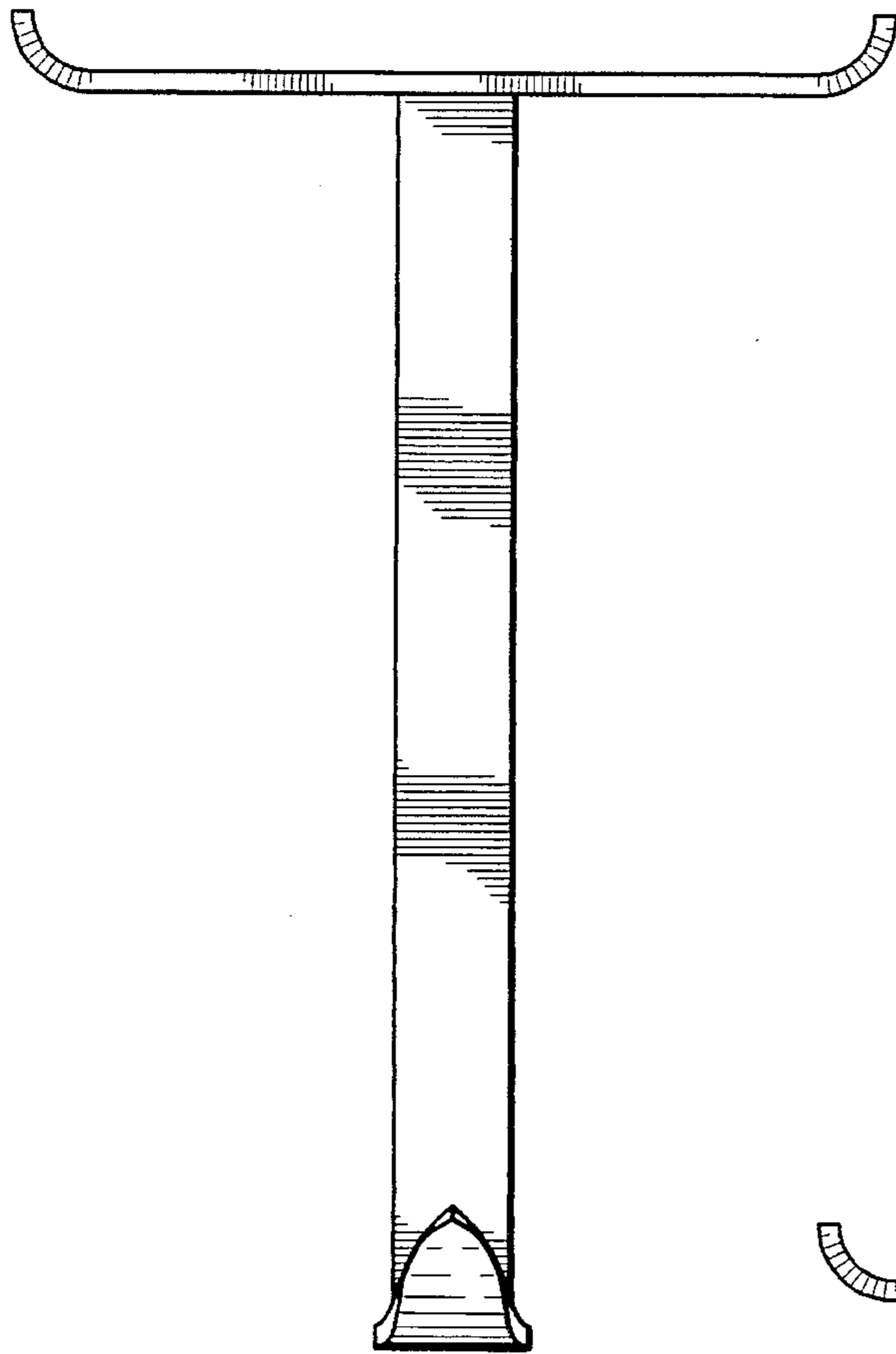
**U.S. PATENT DOCUMENTS**

D. 184,499 2/1959 Van Slooten ..... D12/10 X  
4,722,539 2/1988 Molinaro ..... D12/10 X

**1 Claim, 3 Drawing Sheets**



*FIG. 1*



*FIG. 2*

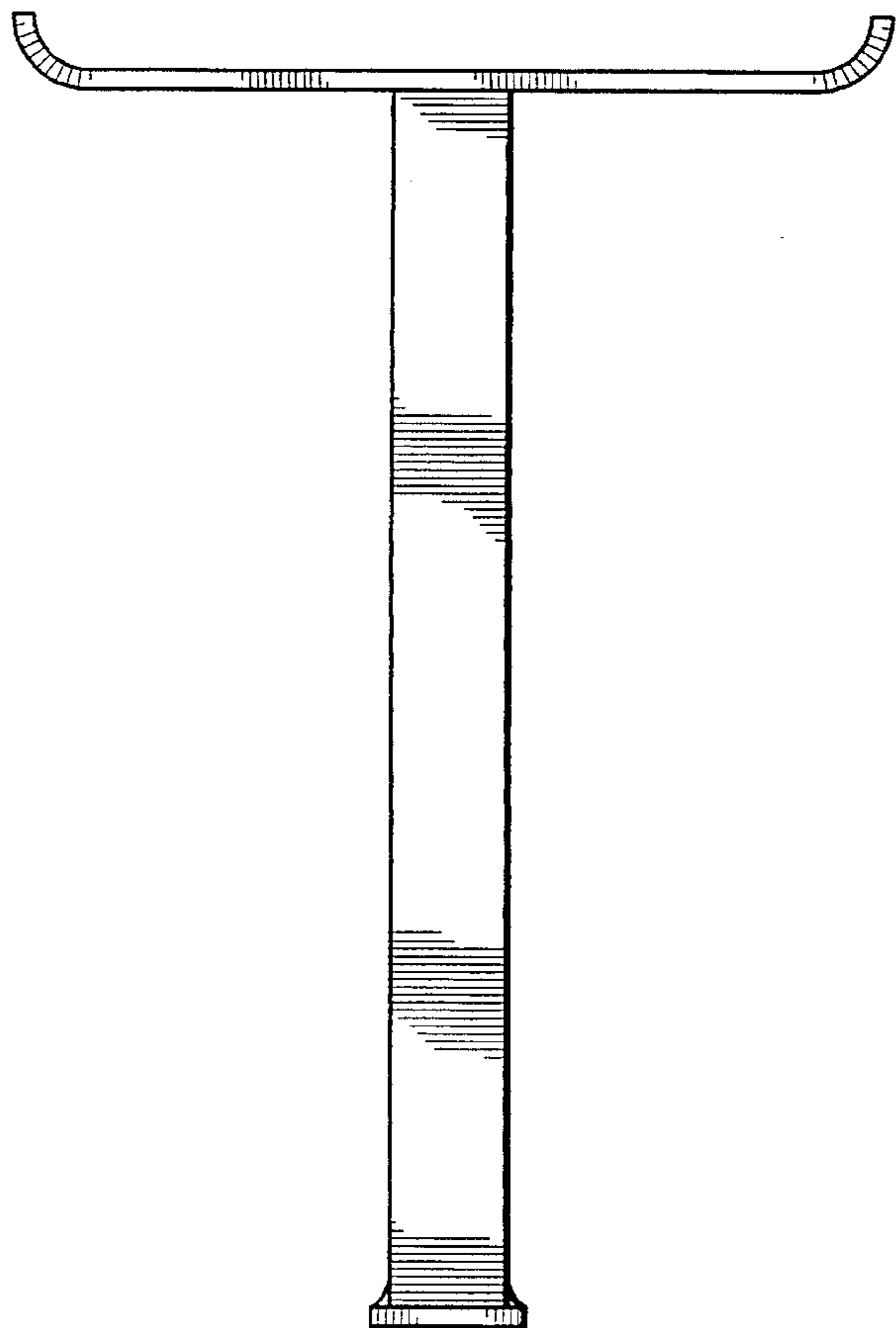


FIG. 3

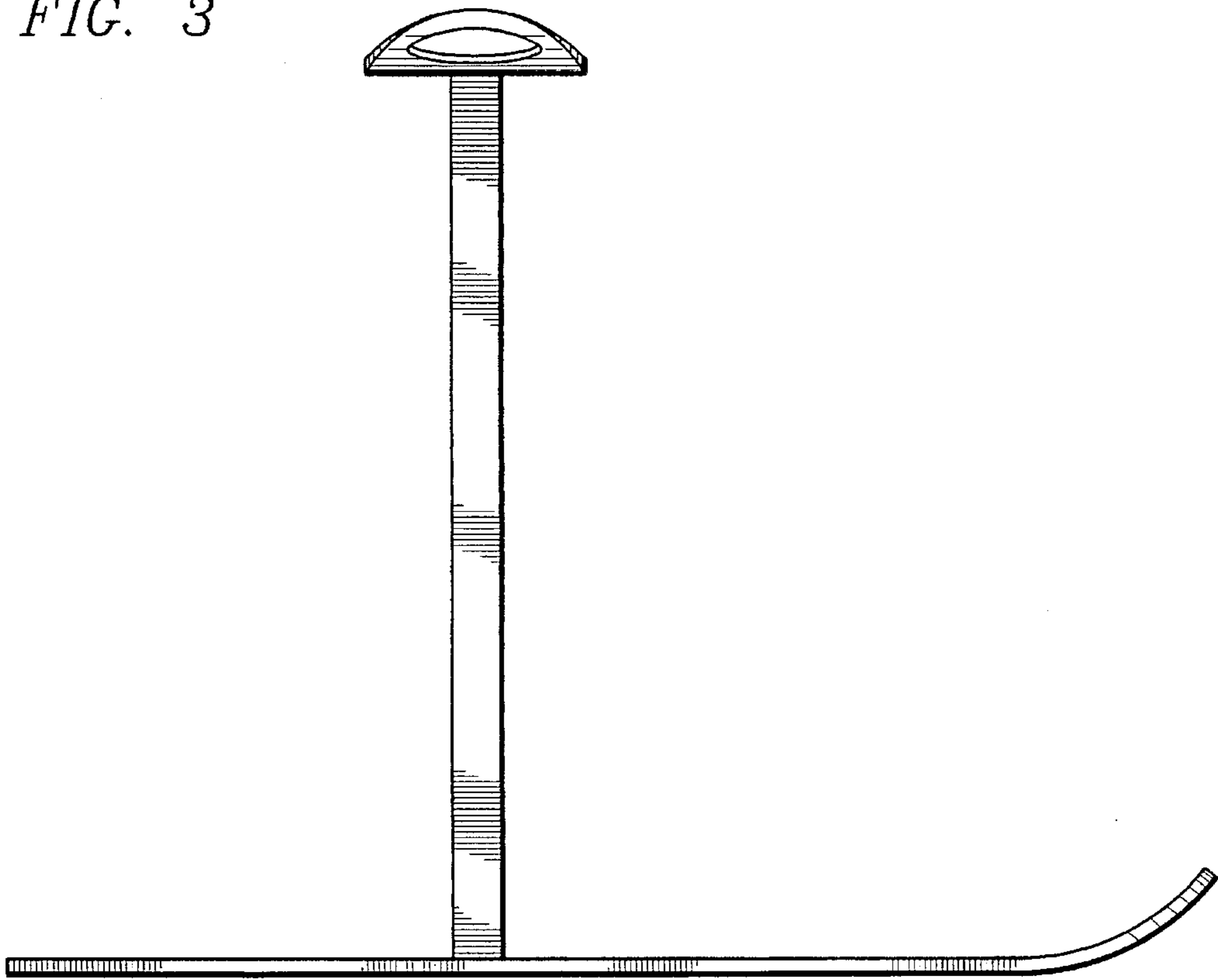


FIG. 4

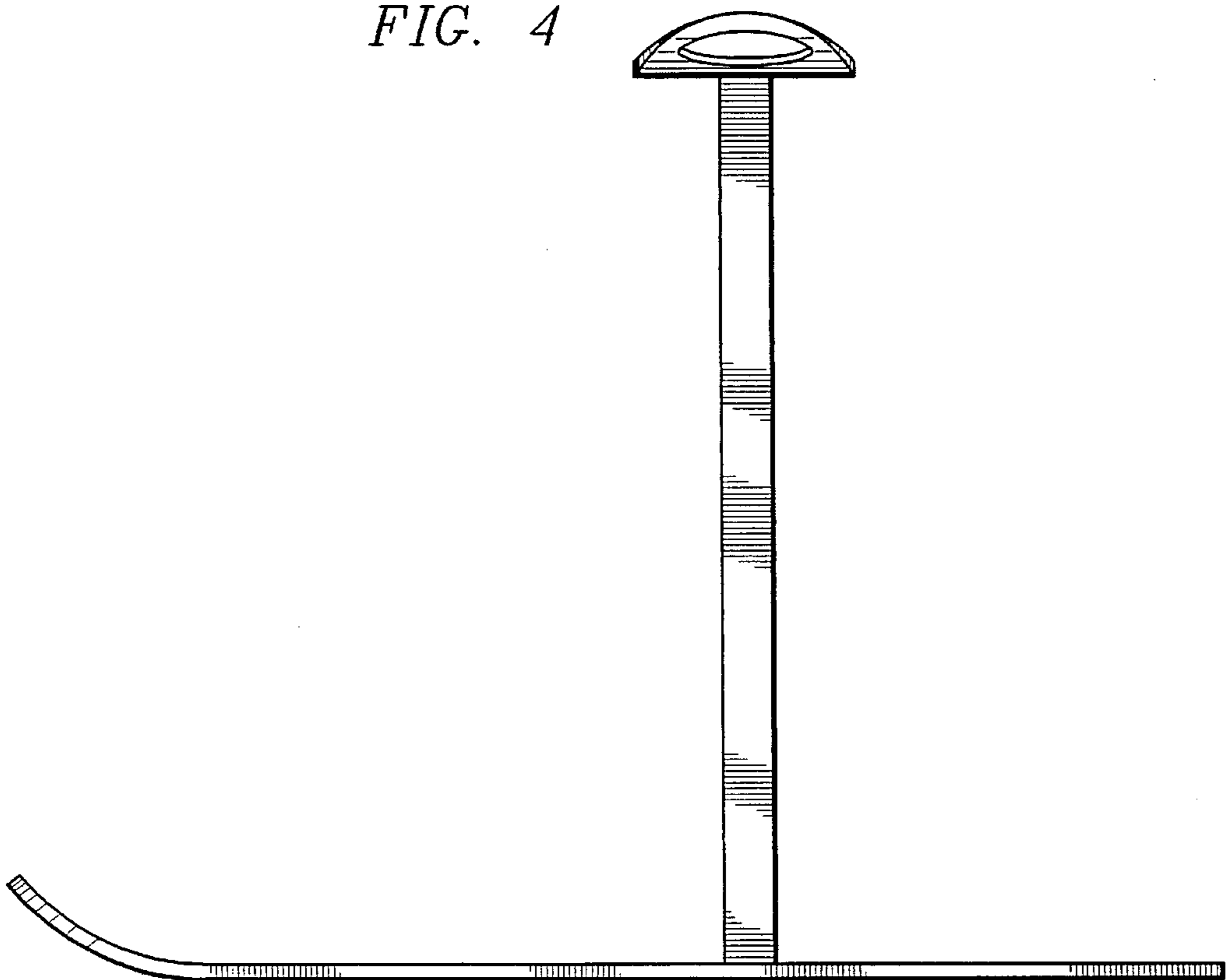


FIG. 5

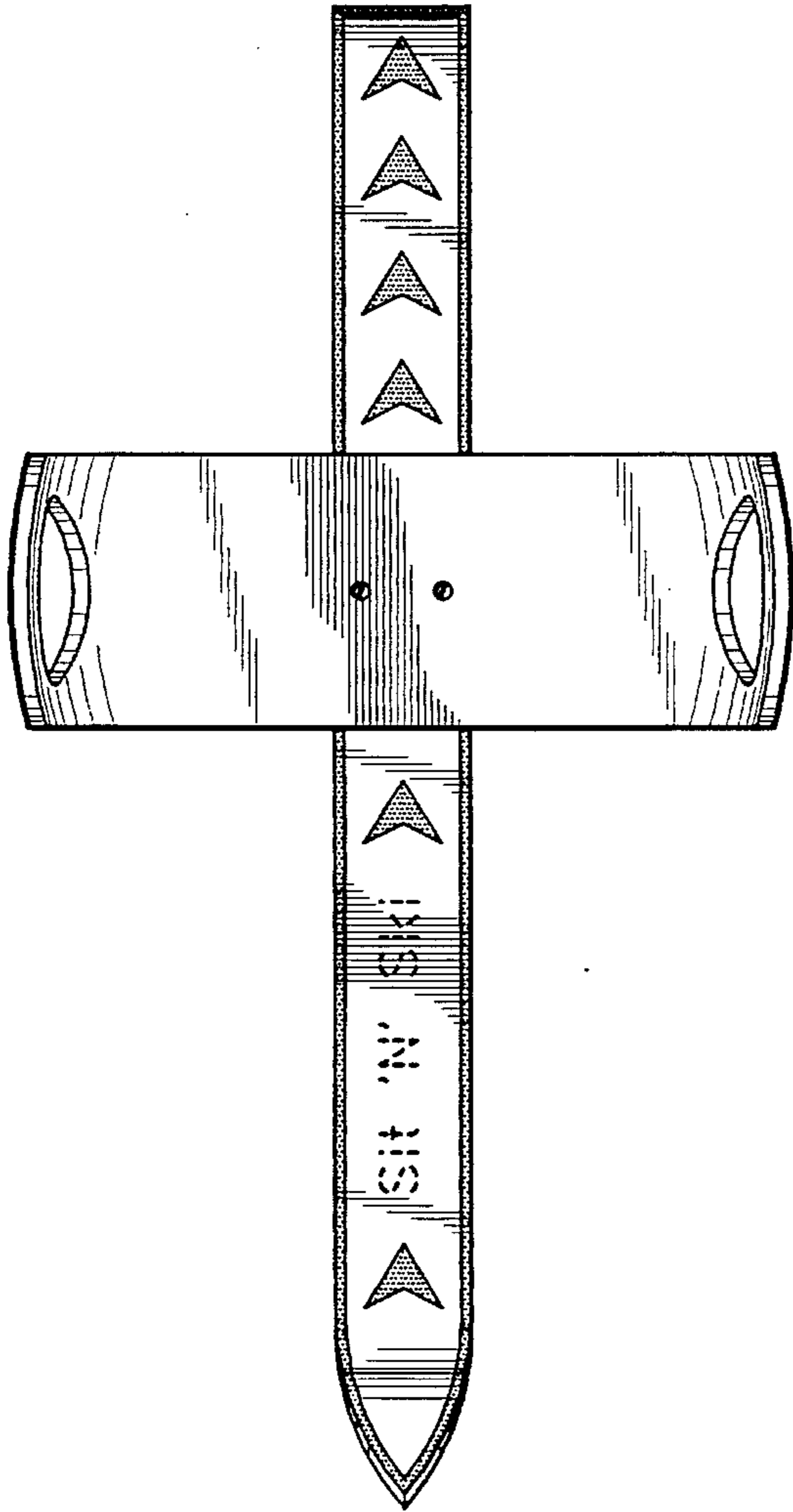


FIG. 6

