



US00D374636S

United States Patent [19]
Keeline

[11] **Patent Number: Des. 374,636**
[45] **Date of Patent: **Oct. 15, 1996**

[54] **WIND SACK SWIVEL**

2,498,270 2/1950 Hawley D10/109

[76] Inventor: **John B. Keeline**, 14360 Eastonville Rd., Elbert, Colo. 80106

Primary Examiner—Marcus A. Jackson
Attorney, Agent, or Firm—Harpman & Harpman

[**] Term: **14 Years**

[57] **CLAIM**

[21] Appl. No.: **39,993**

The ornamental design for a wind sack swivel, as shown and described.

[22] Filed: **Jun. 8, 1995**

DESCRIPTION

[52] **U.S. Cl.** **D10/109**

[58] **Field of Search** D10/104, 109,
D10/111, 119, 121; 73/170.01, 170.02,
170.03, 170.04, 170.05, 170.06, 170.07, 170.08,
170.09, 170.10, 170.11, 170.12, 170.13,
170.14, 170.15; 116/173

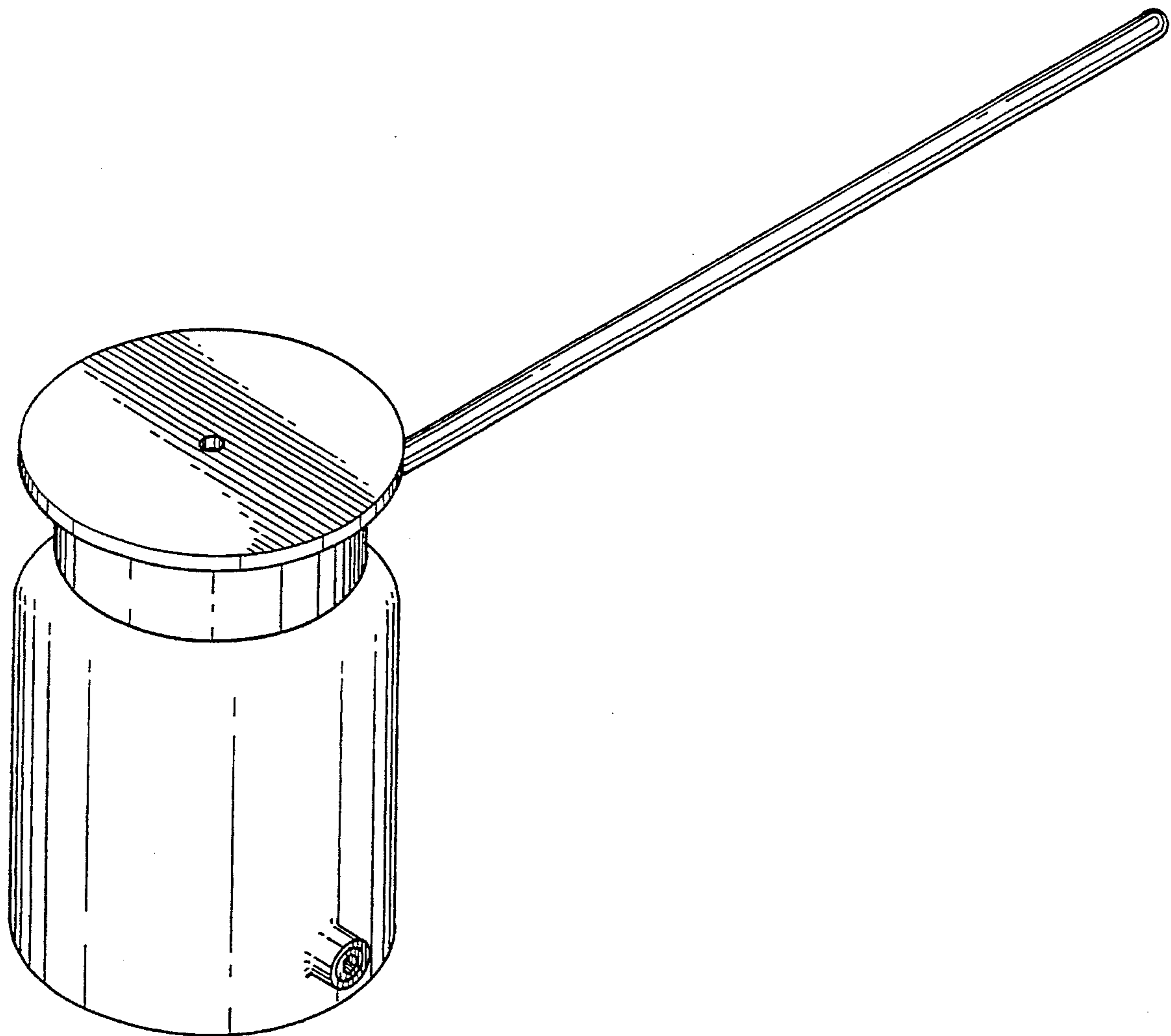
FIG. 1 is a front, top and side perspective view of the wind sack swivel embodying the design of the present invention; FIG. 2 is a front elevational view thereof; FIG. 3 is a rear elevational view thereof; FIG. 4 is a right side elevational view thereof; FIG. 5 is a left side elevational view thereof; FIG. 6 is a top plan view thereof; and, FIG. 7 is a bottom plan view thereof.

[56] **References Cited**

U.S. PATENT DOCUMENTS

D. 303,099 8/1989 Rolofson D10/109

1 Claim, 3 Drawing Sheets



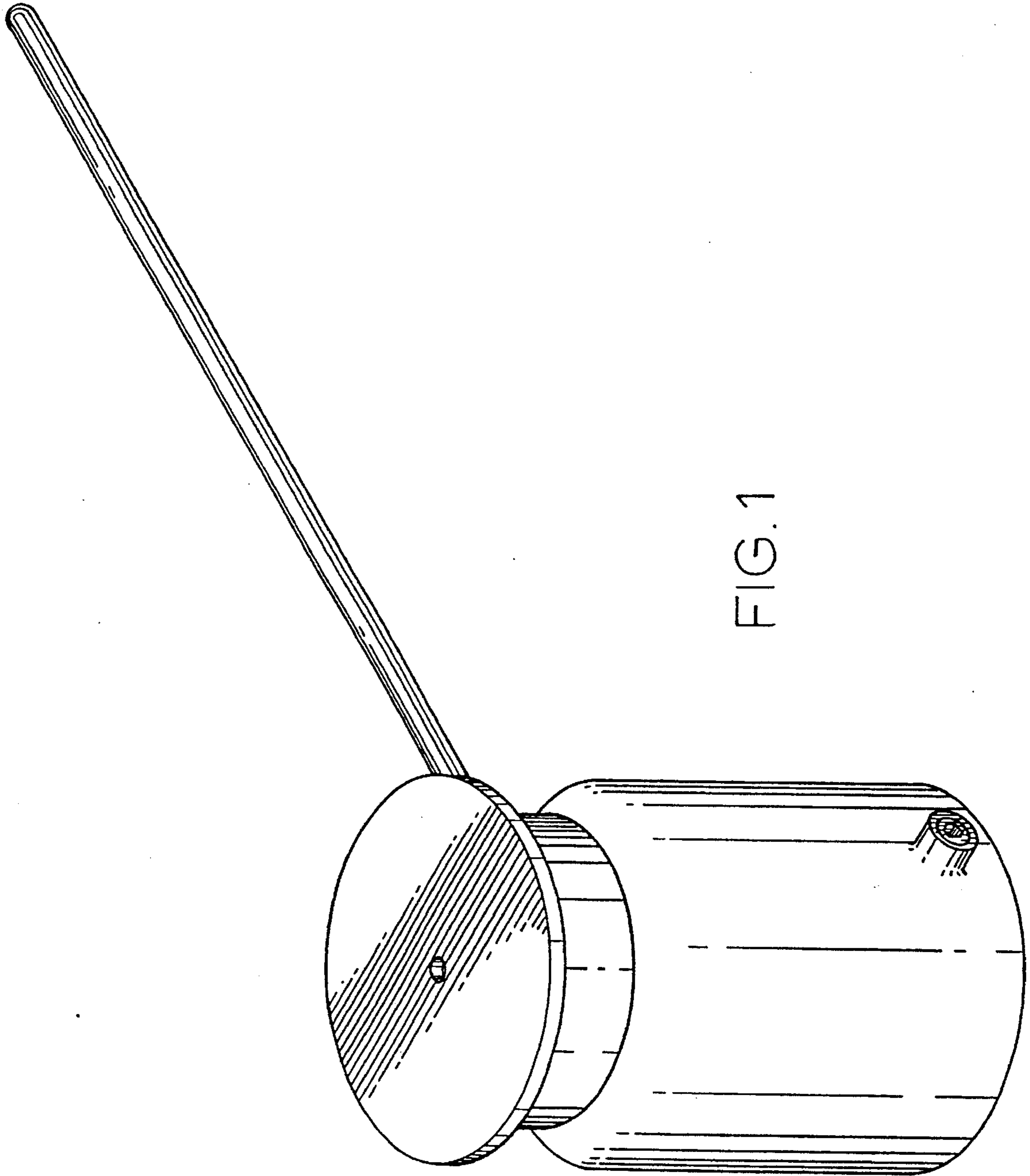


FIG. 1

