



US00D374634S

United States Patent [19]

[11] Patent Number: **Des. 374,634**

Svedine

[45] Date of Patent: ****Oct. 15, 1996**

[54] **COMBINED CONTROL BOX AND SENSOR FOR A FIRE ALARM**

Liebman; W. Charles L. Jamison

[76] Inventor: **Kevin S. Svedine**, 49 Bayview St., Warham, Mass. 02571

[57] **CLAIM**

The ornamental design for a combined control box and sensor for a fire alarm, as shown and described.

[**] Term: **14 Years**

DESCRIPTION

[21] Appl. No.: **35,112**

FIG. 1 is a front perspective view of a combined control box and sensor for a fire alarm showing my new design; FIG. 2 is a rear view of the sensor portion thereof; FIG. 3 is a right side view thereof; FIG. 4 is a left side view thereof; FIG. 5 is a top view thereof; FIG. 6 is a front view of the control box portion thereof; FIG. 7 is a rear view thereof; FIG. 8 is a left side view thereof; FIG. 9 is a right side view thereof; FIG. 10 is a top view thereof; and, FIG. 11 is a bottom view thereof.

[22] Filed: **Feb. 21, 1995**

[52] U.S. Cl. **D10/106**

[58] Field of Search D10/104, 106, D10/116, 121; 340/540, 545, 547, 555, 578, 586, 628, 629, 630, 693

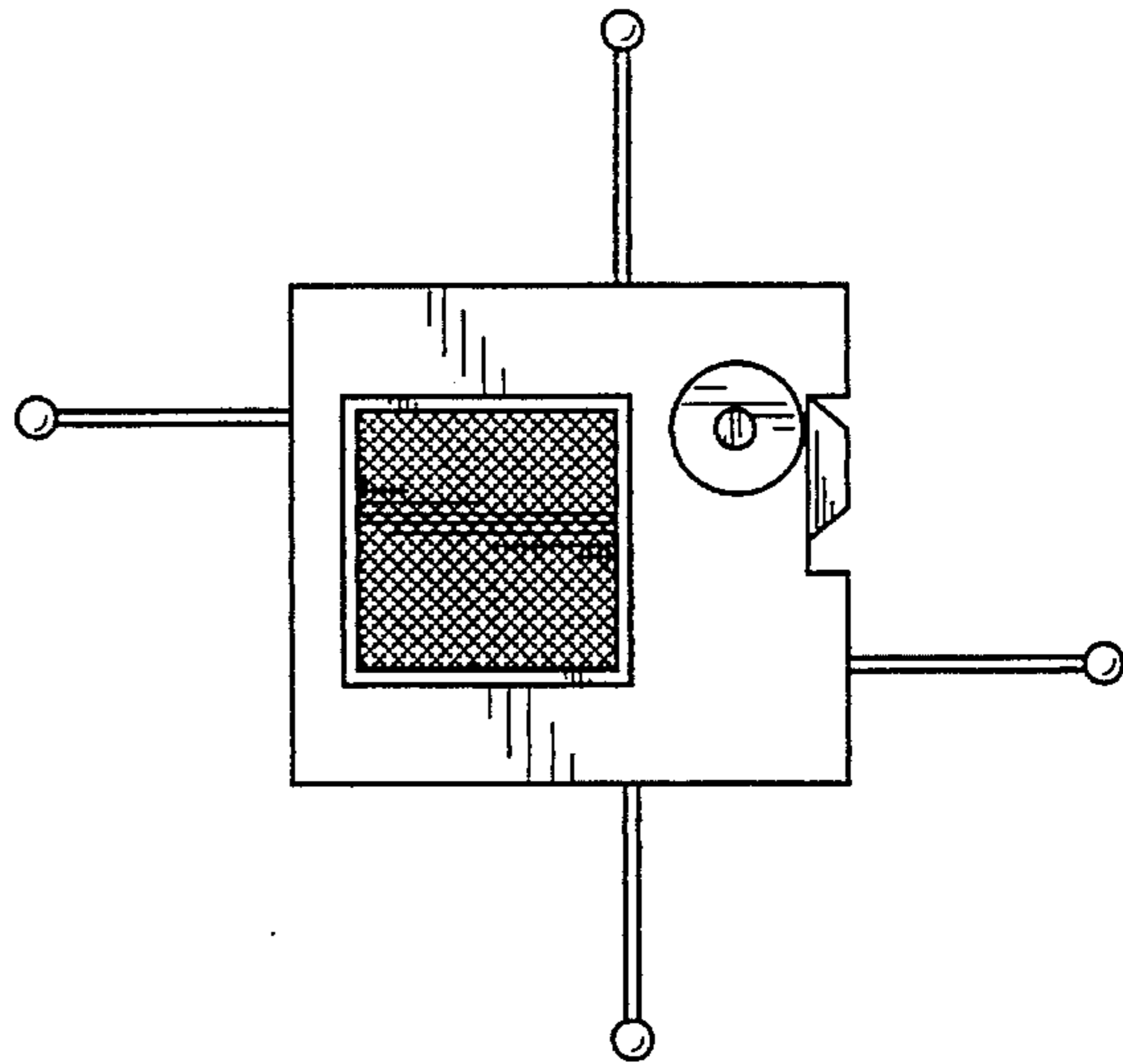
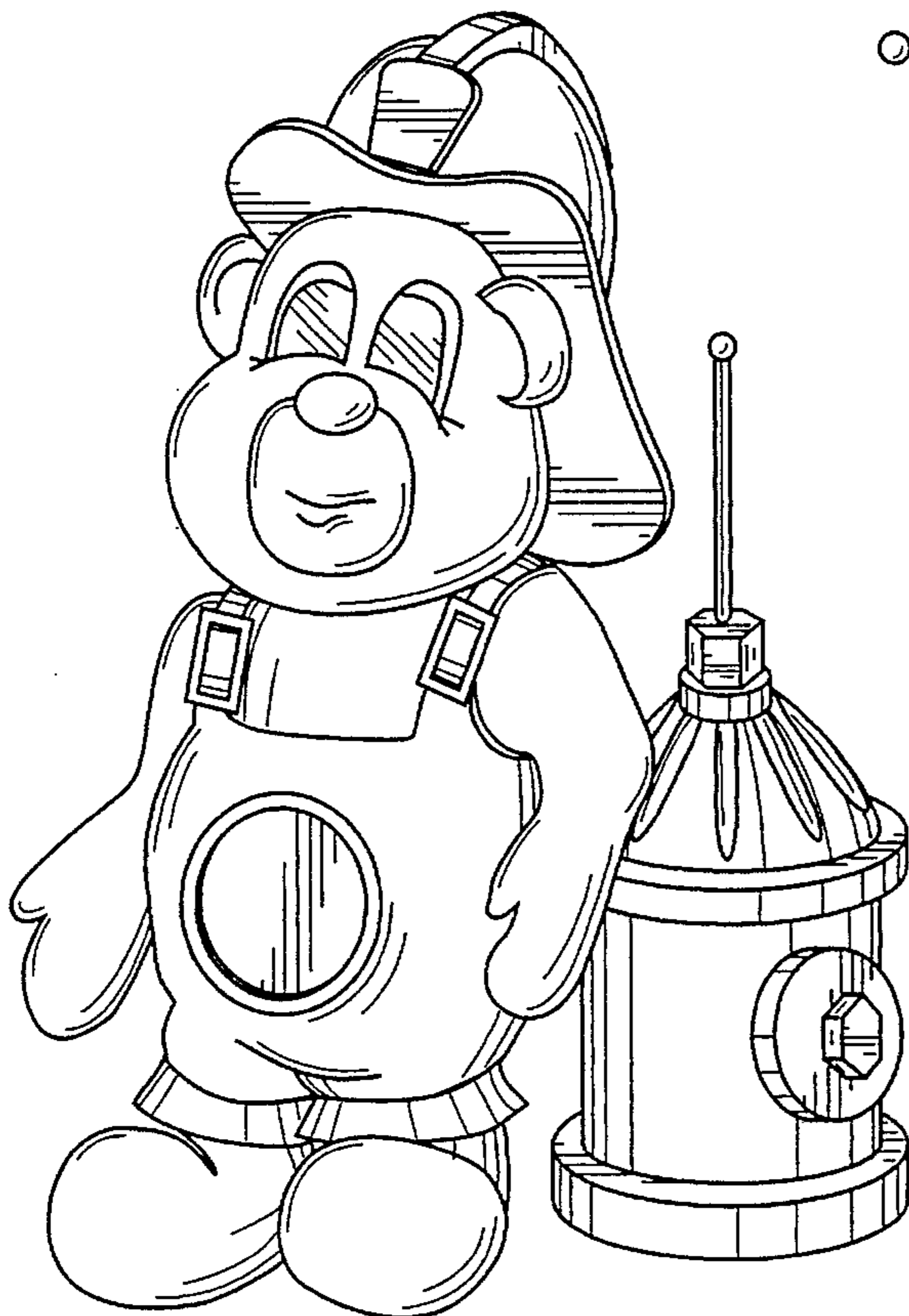
[56] **References Cited**

U.S. PATENT DOCUMENTS

- D. 341,331 11/1993 Richards, Jr. D10/106
- D. 351,353 10/1994 Bruder, Jr. D10/104

Primary Examiner—Marcus A. Jackson
Attorney, Agent, or Firm—Harold H. Dutton, Jr.; Diane S.

1 Claim, 5 Drawing Sheets



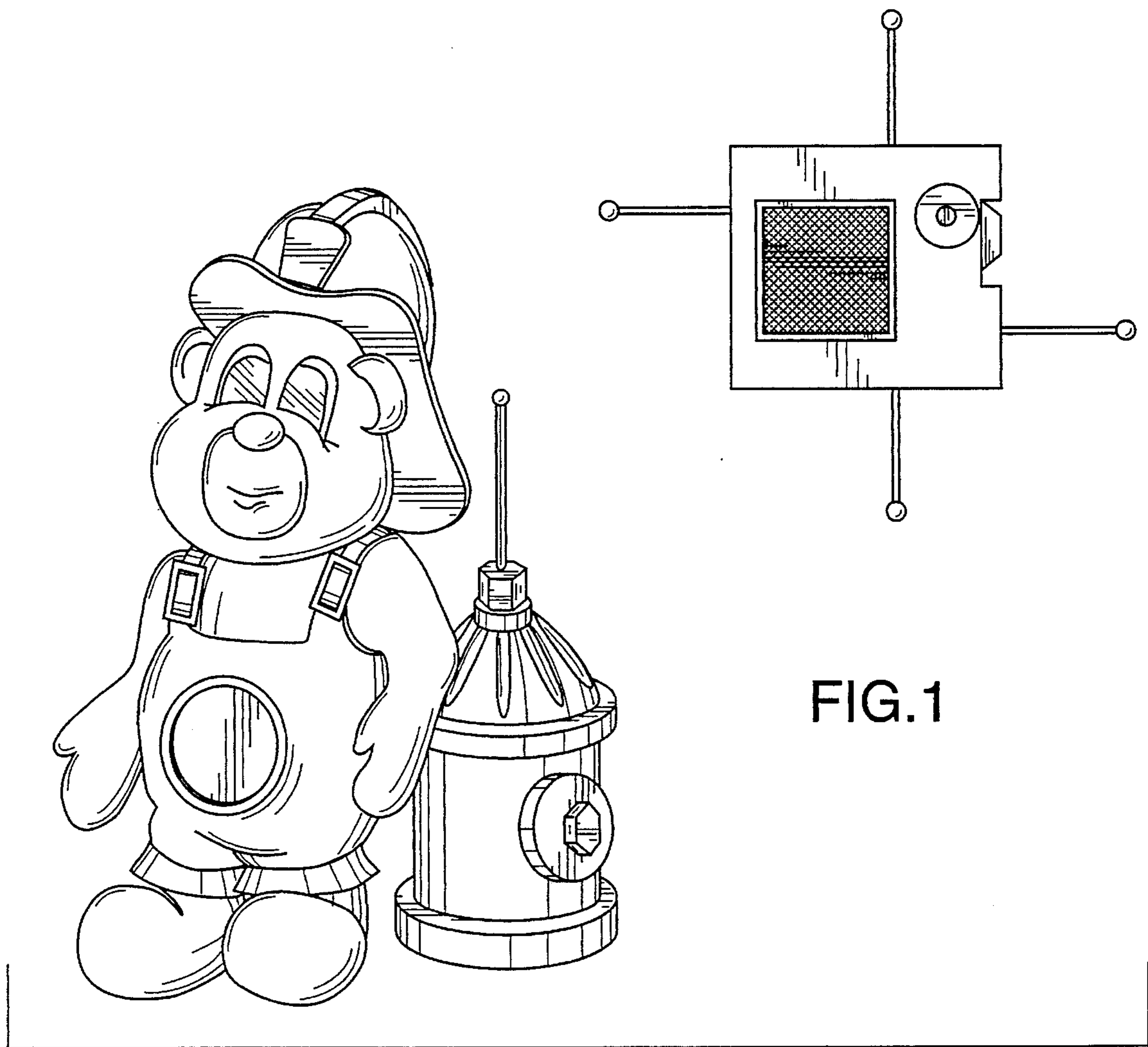


FIG.1

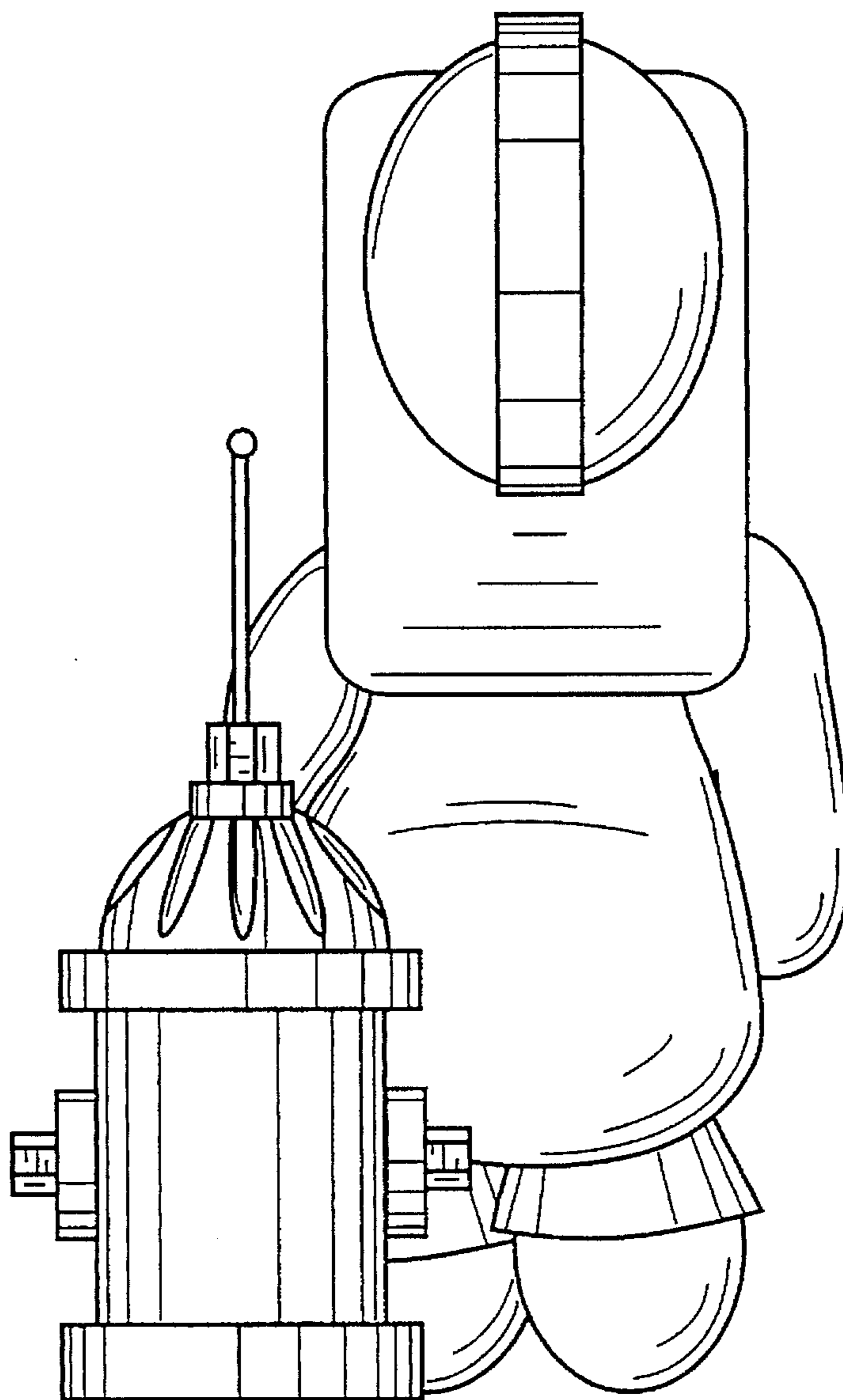


FIG. 2

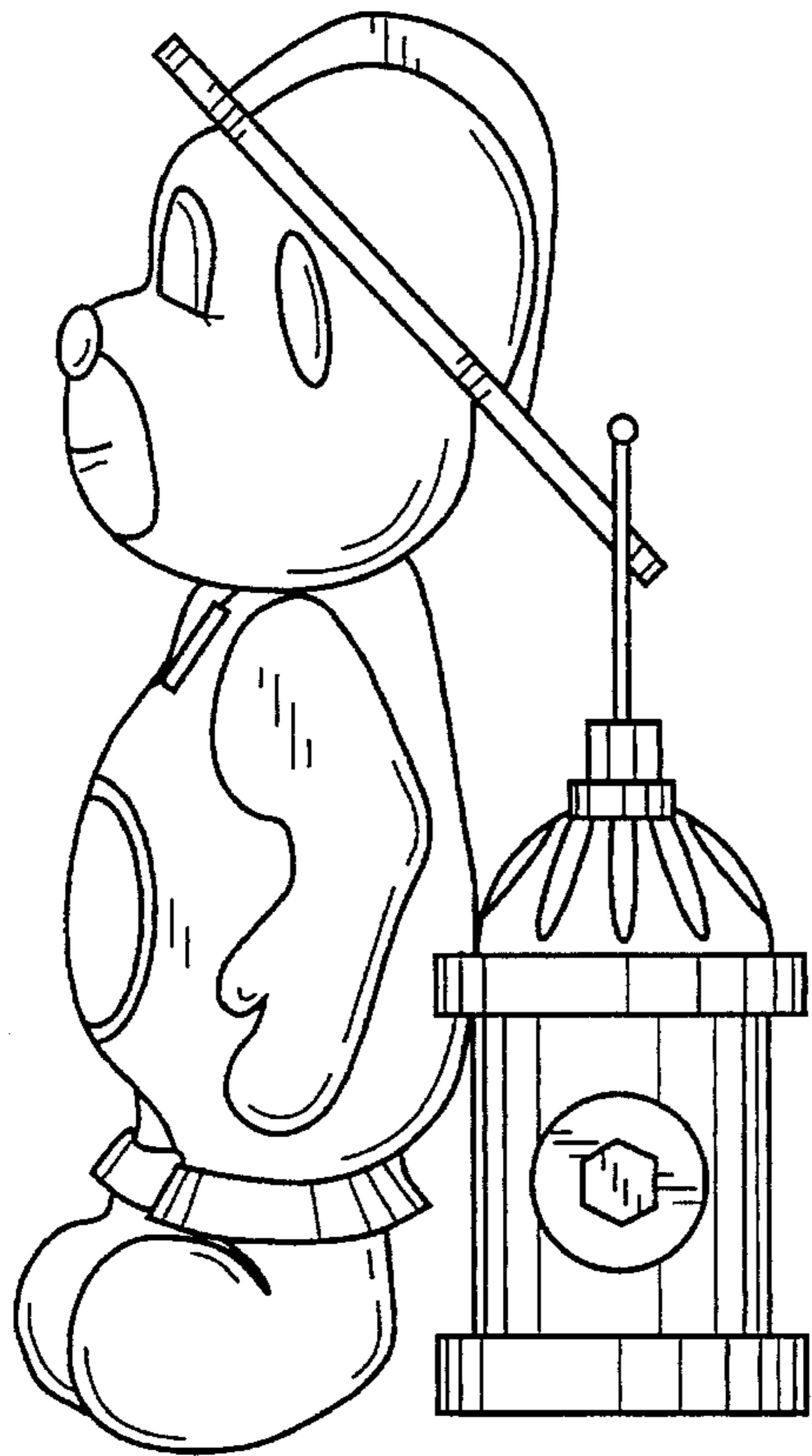


FIG. 3

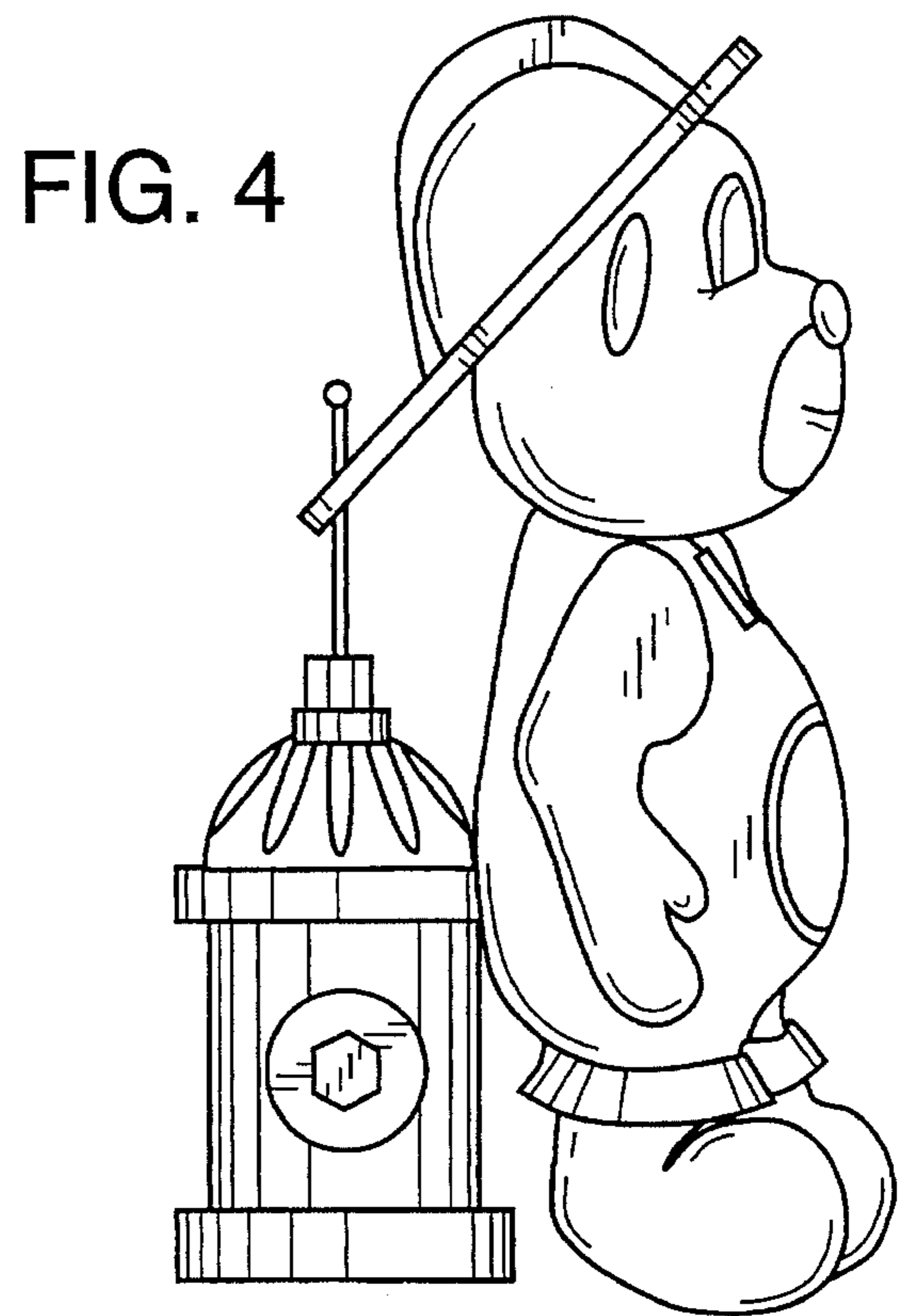


FIG. 4

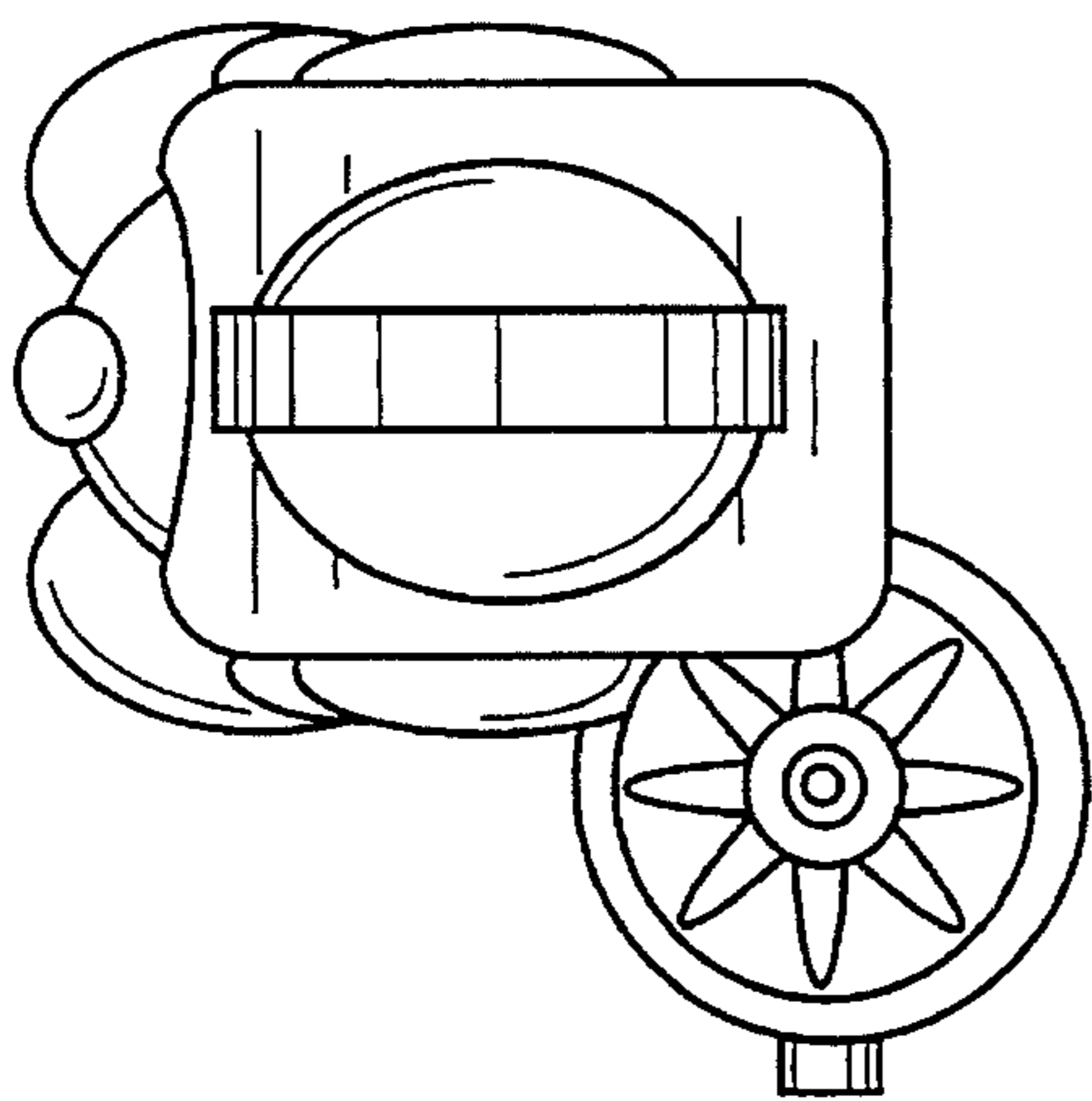


FIG. 5

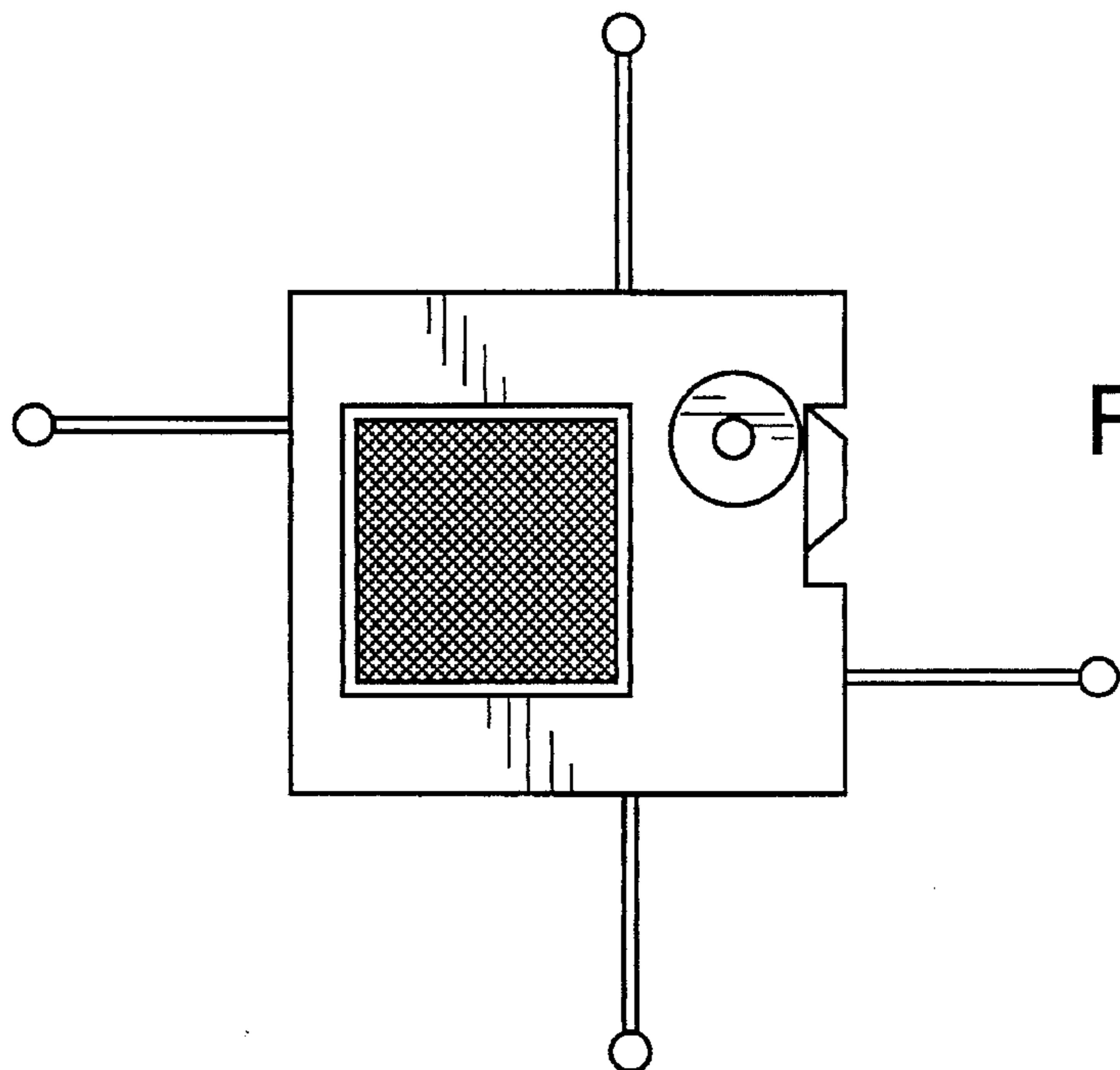


FIG. 6

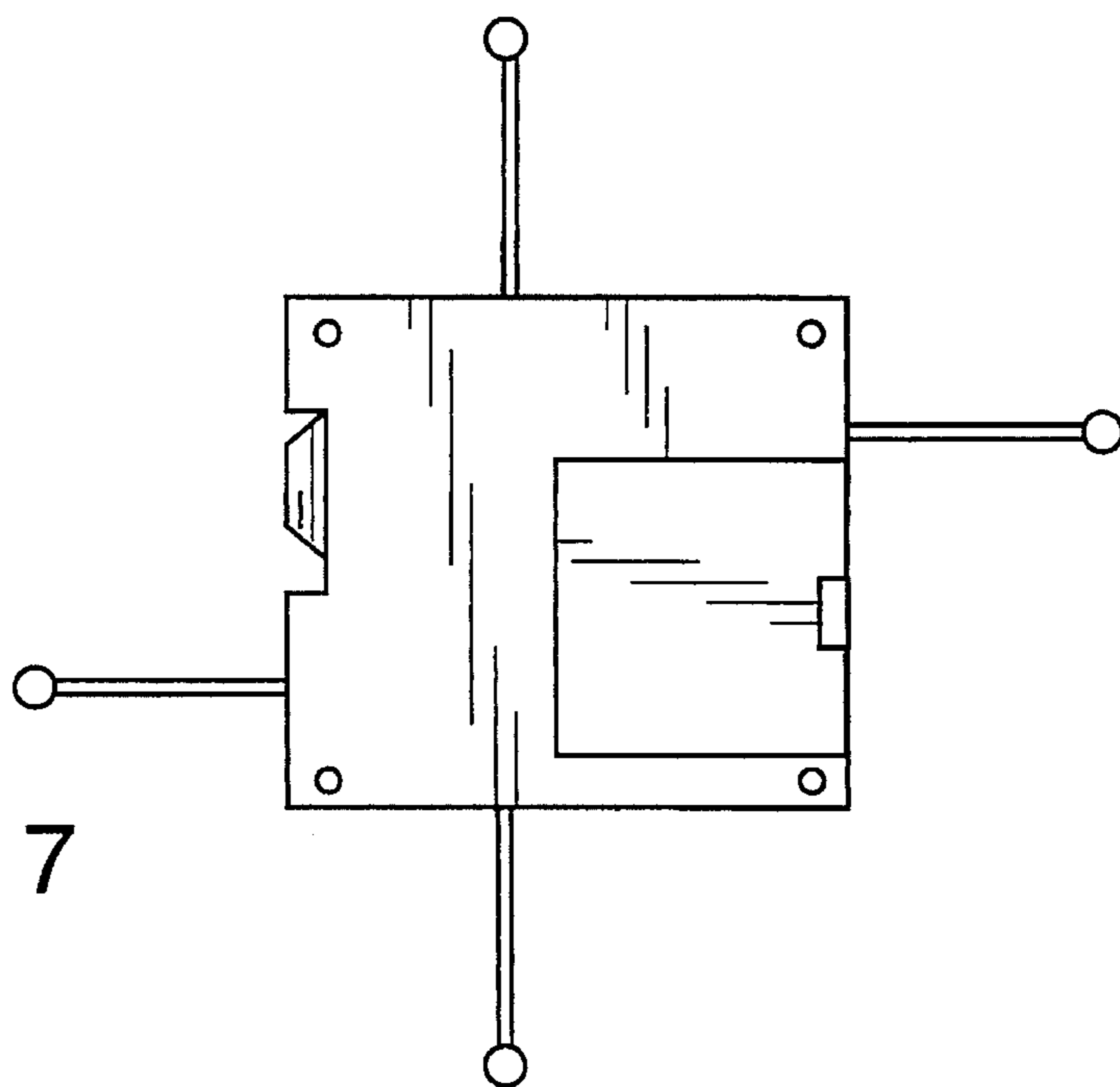


FIG. 7

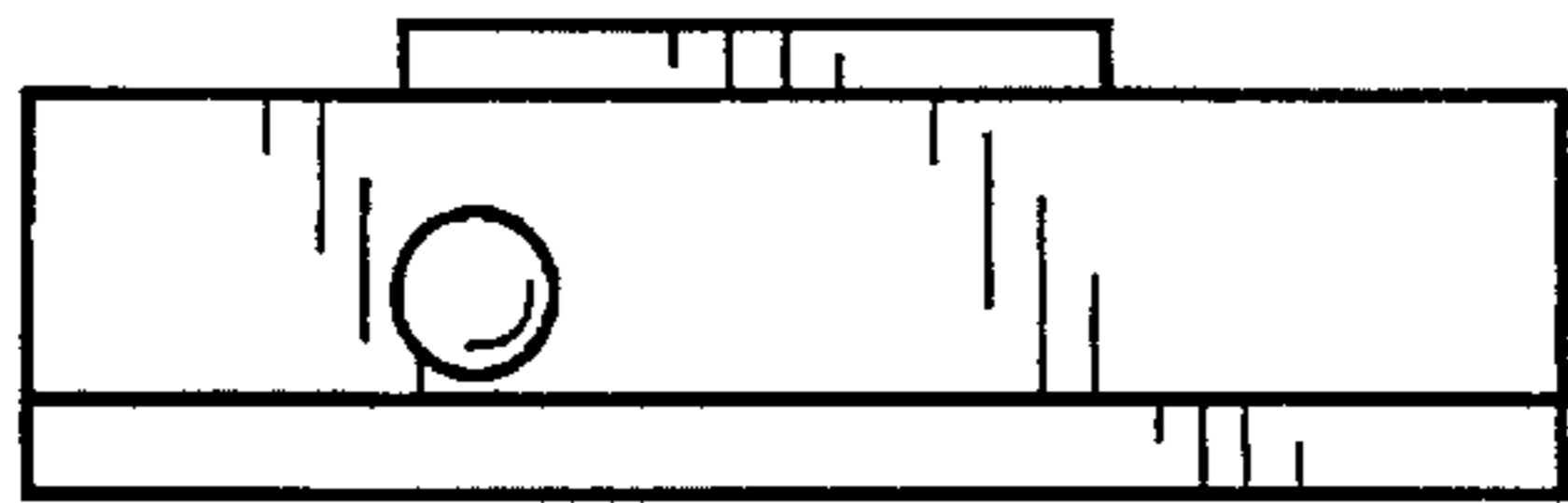


FIG. 8

FIG. 9

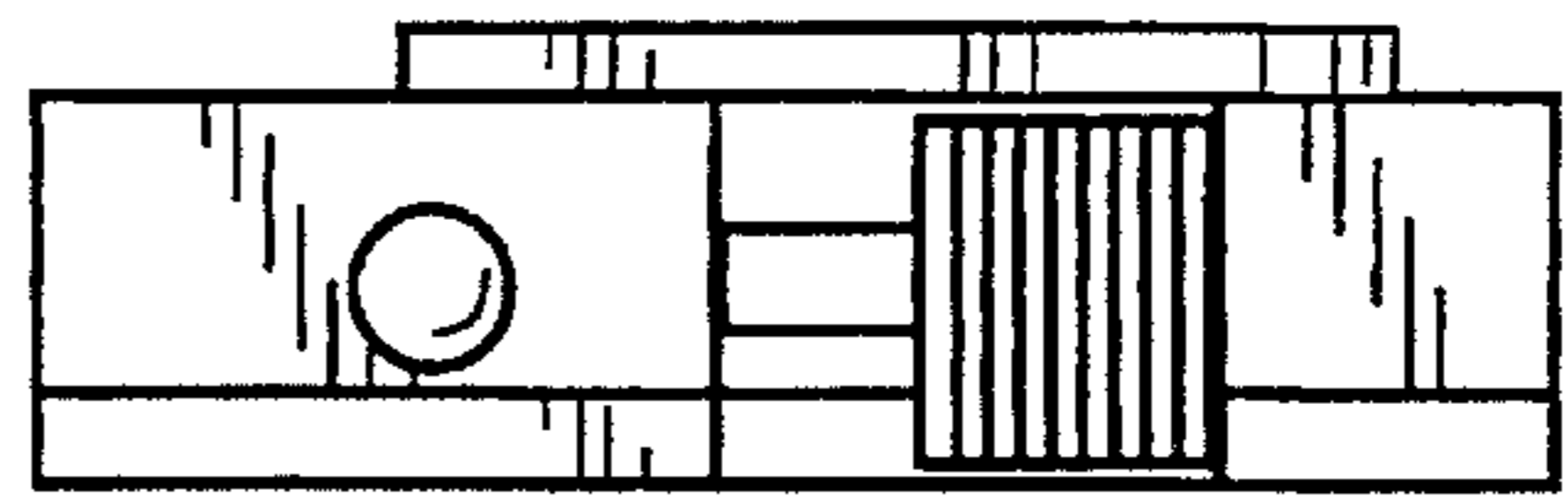


FIG. 10

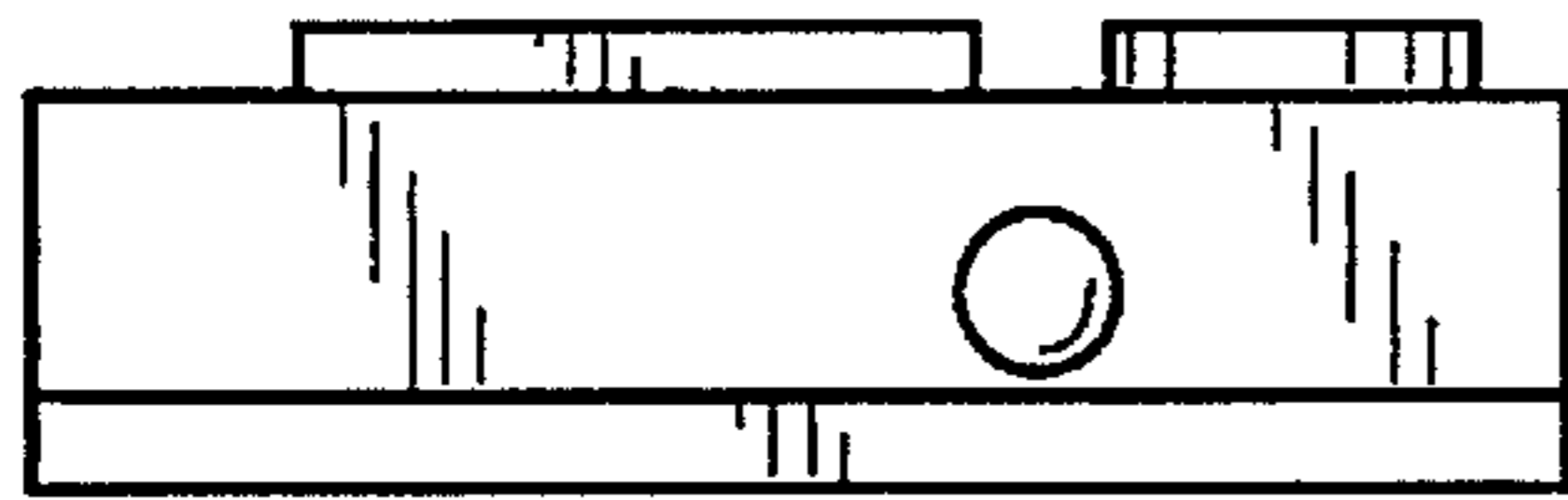


FIG. 11

