



US00D374628S

United States Patent [19]

[11] Patent Number: Des. 374,628

Gregorian-Michaelsen et al.

[45] Date of Patent: **Oct. 15, 1996

[54] **KEYPAD AND DISPLAY DEVICE**

Primary Examiner—Antoine Duval Davis

[75] Inventors: **Keith G. Gregorian-Michaelsen**, West Simsbury, Conn.; **Elmer G. Job**, Limestone, Tenn.

[57] **CLAIM**

The ornamental design for a keypad and display device, as shown and described.

[73] Assignee: **Carrier Corporation**, Syracuse, N.Y.

DESCRIPTION

[**] Term: **14 Years**

FIG. 1 is a perspective view illustrating the front, right side and top of the keypad and display device;

[21] Appl. No.: **48,107**

FIG. 2 is a front elevational view of the keypad and display device;

[22] Filed: **Dec. 20, 1995**

FIG. 3 is a left side elevational view of the keypad and display device;

[52] U.S. Cl. **D10/50**

FIG. 4 is a right side elevational view of the keypad and display device;

[58] **Field of Search** D10/49, 50; D14/100; 165/11.1, 13, 22, 32-41; 236/1 B, 46 R, 47, 49.3, 87, 94; 337/360, 380; 364/557

FIG. 5 is a top plan view of the keypad and display device; FIG. 6 is a bottom plan view of the keypad and display device; and,

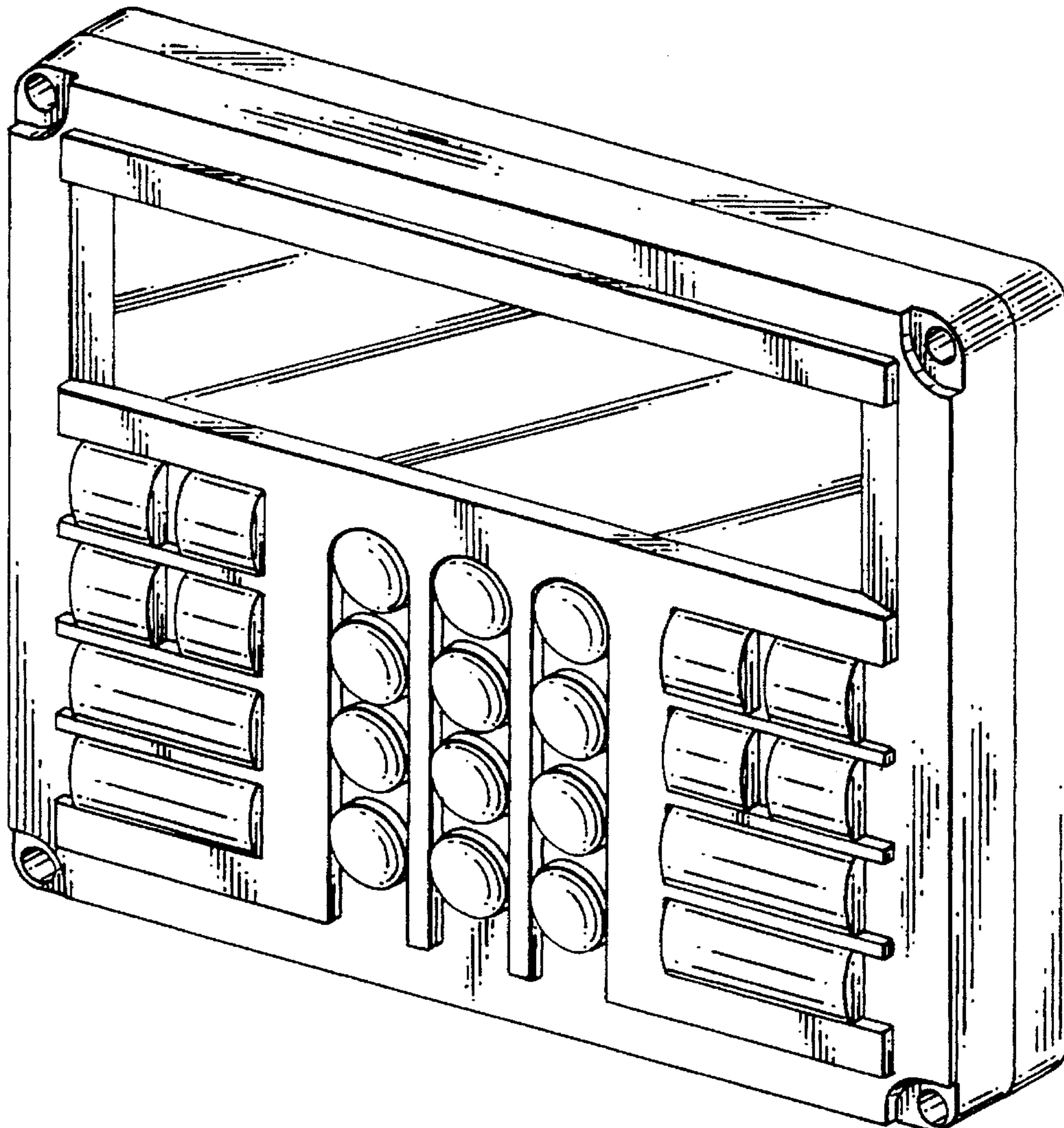
[56] **References Cited**

FIG. 7 is a back elevational view of the keypad and display device.

U.S. PATENT DOCUMENTS

- D. 277,266 1/1985 Littlefield D10/50
- D. 864,573 11/1995 Pearsall D10/50

1 Claim, 3 Drawing Sheets



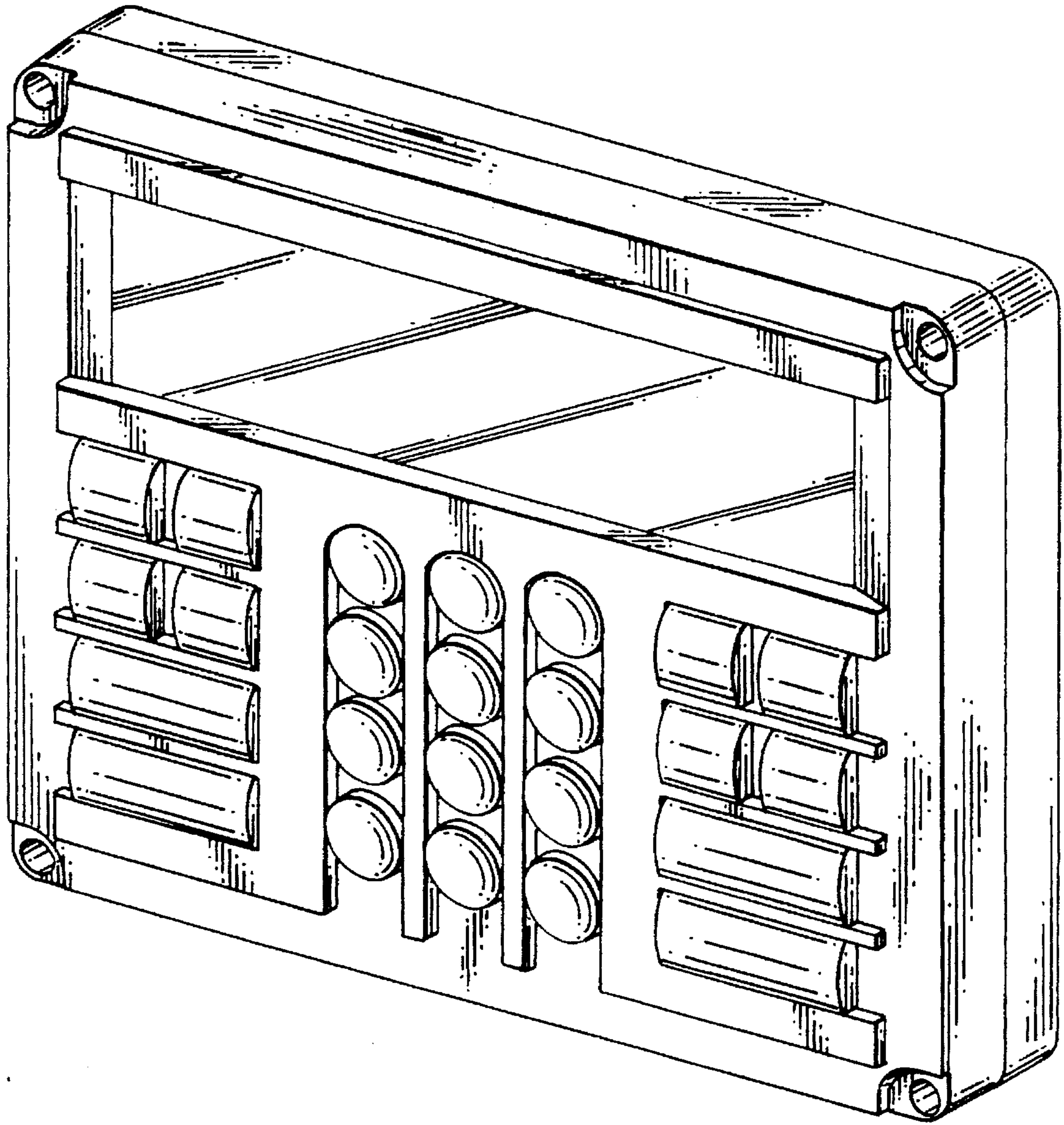


FIG. 1

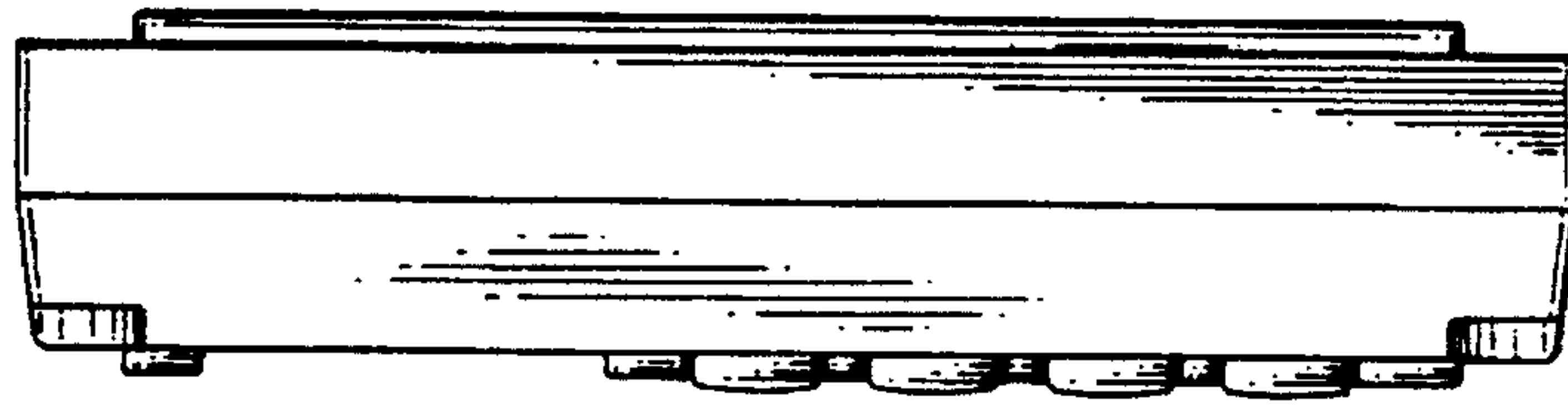


FIG. 4

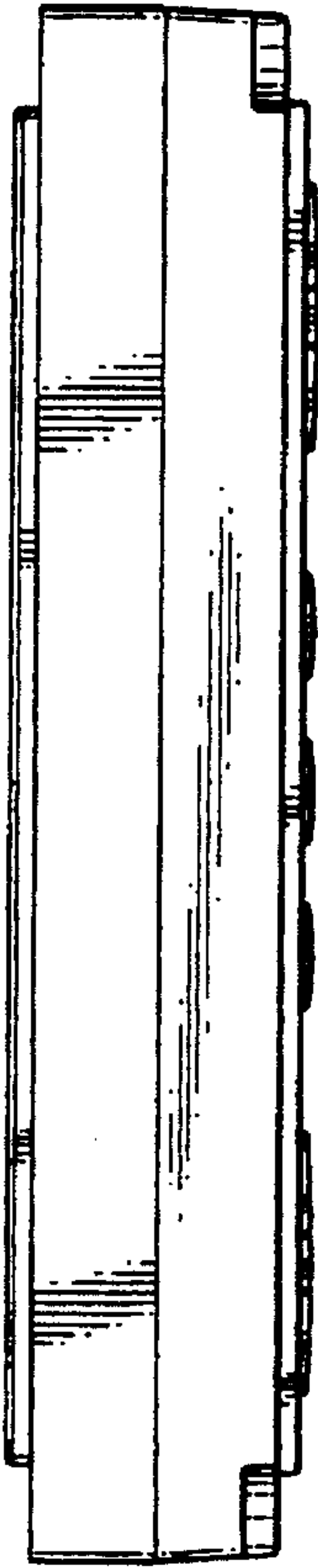


FIG. 5

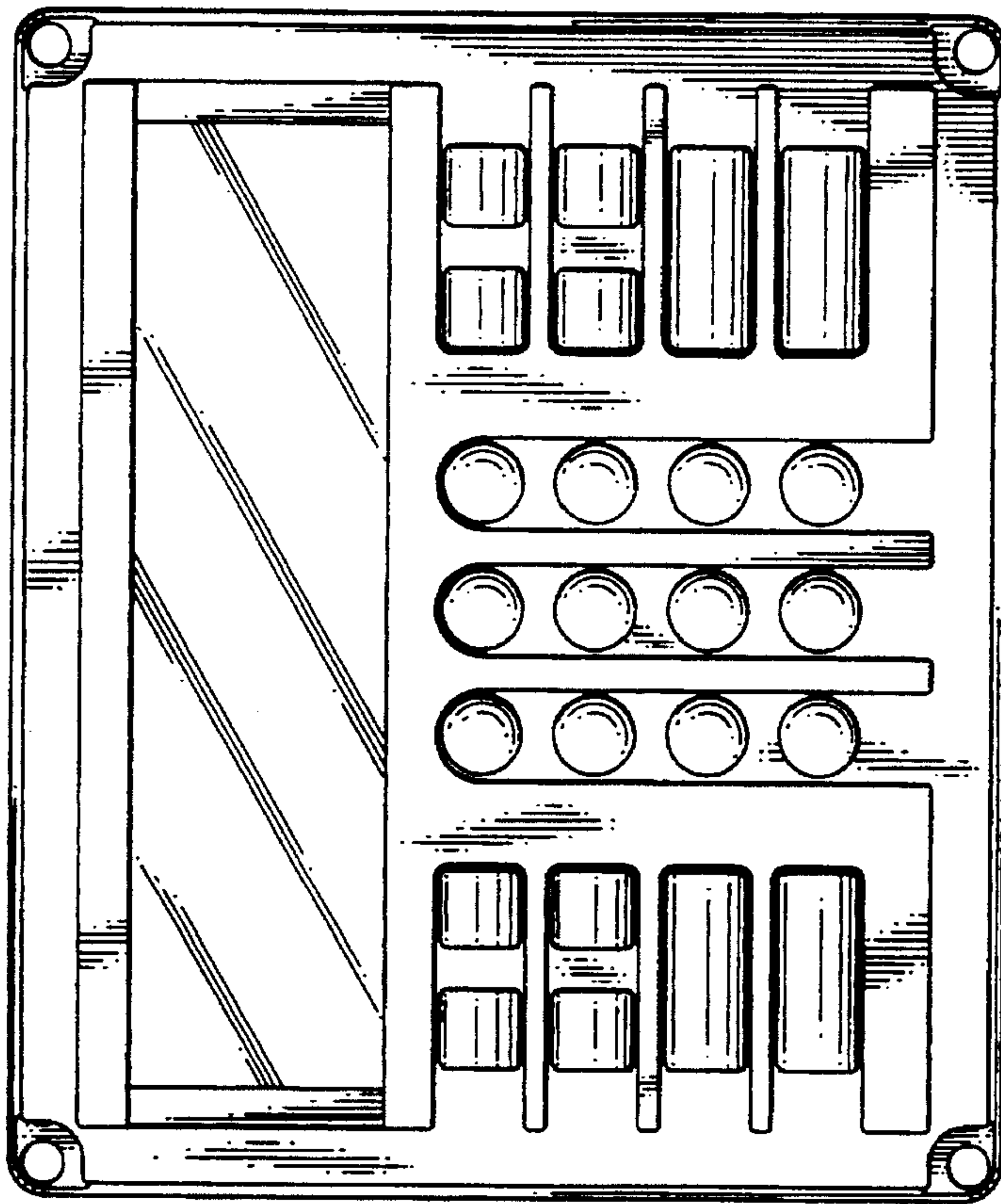


FIG. 2

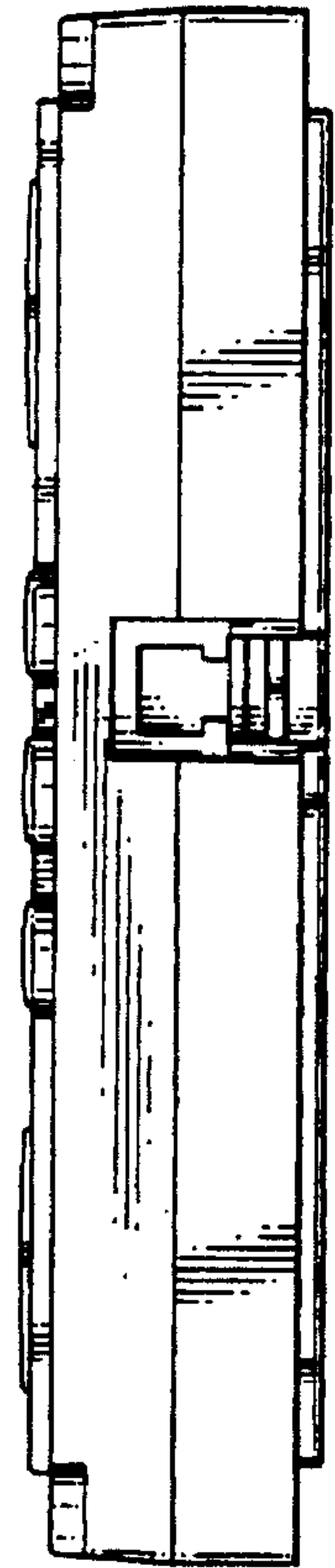


FIG. 6

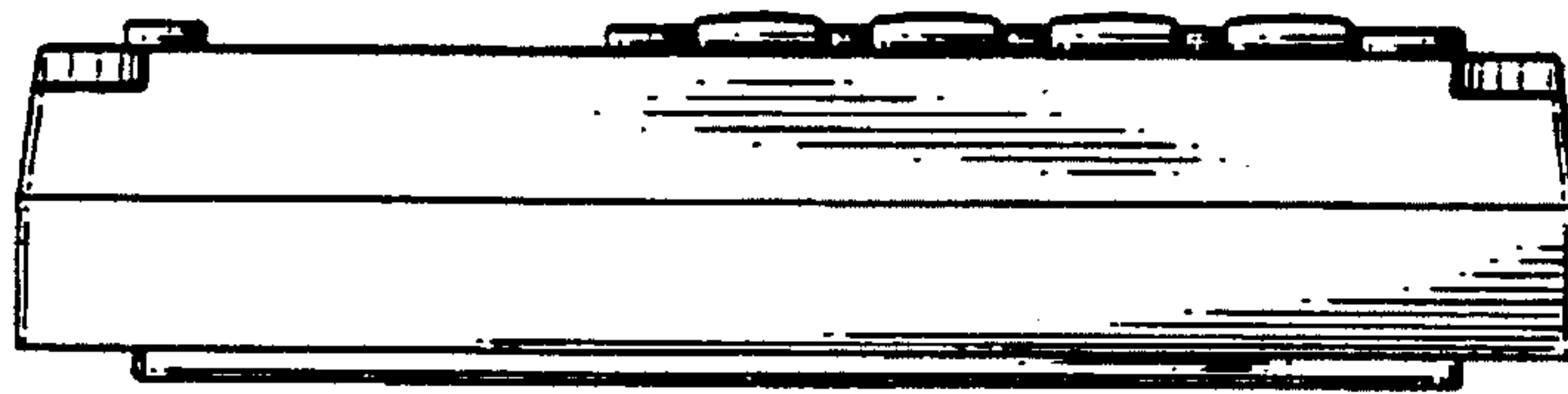


FIG. 3

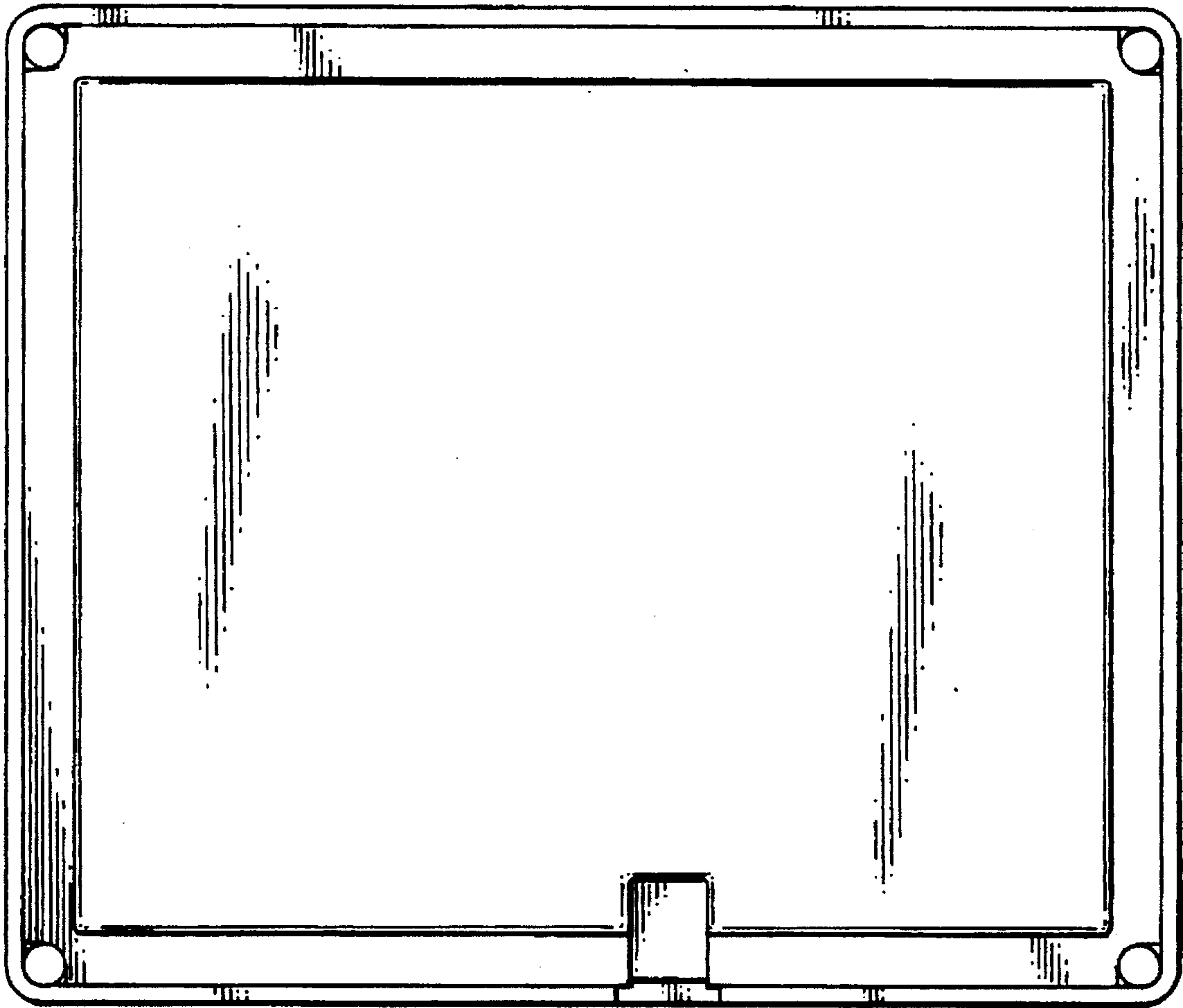


FIG. 7