



US00D374621S

United States Patent [19]

Salazar, Jr.

[11] Patent Number: **Des. 374,621**

[45] Date of Patent: ****Oct. 15, 1996**

[54] **PLASTIC BAG HANDLE**

[76] Inventor: **Frailan Salazar, Jr.**, 500 Rubin Dr.,
Apt. 416, El Paso, Tex. 79912

[**] Term: **14 Years**

[21] Appl. No.: **39,477**

[22] Filed: **May 26, 1995**

[52] U.S. Cl. **D9/434**

[58] Field of Search D9/434, 455, 479;
D8/300, 313, 315; D3/315, 318; D7/393,
394; D34/28, 35; 220/752, 755, 759; 16/114 B,
114 R, 116 R, 110.5; 294/170, 171, 153,
159, 164; 383/6, 13, 15, 23, 24; D6/315,
317, 323, 328

[56] **References Cited**

U.S. PATENT DOCUMENTS

D. 319,569	9/1991	Clark	D9/434 X
D. 325,156	4/1992	Sweeny	D9/434
2,448,894	9/1948	Laus	294/171
3,083,366	3/1963	Franges	294/171
3,800,361	4/1974	Stauffer	D8/300 X

FOREIGN PATENT DOCUMENTS

0085524	8/1983	European Pat. Off.	294/171
---------	--------	--------------------	-------	---------

0378958	7/1990	European Pat. Off.	294/171
2153213	8/1985	United Kingdom	16/114 B
2228860	9/1990	United Kingdom	294/171
2246697	2/1992	United Kingdom	294/171
2256130	12/1992	United Kingdom	294/171

Primary Examiner—Jeffrey Asch
Attorney, Agent, or Firm—Harold H. Dutton, Jr.; Diane F. Liebman; W. Charles L. Jamison

[57] **CLAIM**

The ornamental design for a plastic bag handle, as shown and described.

DESCRIPTION

FIG. 1 is a perspective view of a plastic bag handle showing my new design;
FIG. 2 is an end view thereof;
FIG. 3 is a front view thereof;
FIG. 4 is a top view thereof; and,
FIG. 5 is a bottom view thereof.
The end opposite to that shown in FIG. 2 is the same as the end shown. The rear view of the plastic bag handle is the same as the front view.

1 Claim, 2 Drawing Sheets

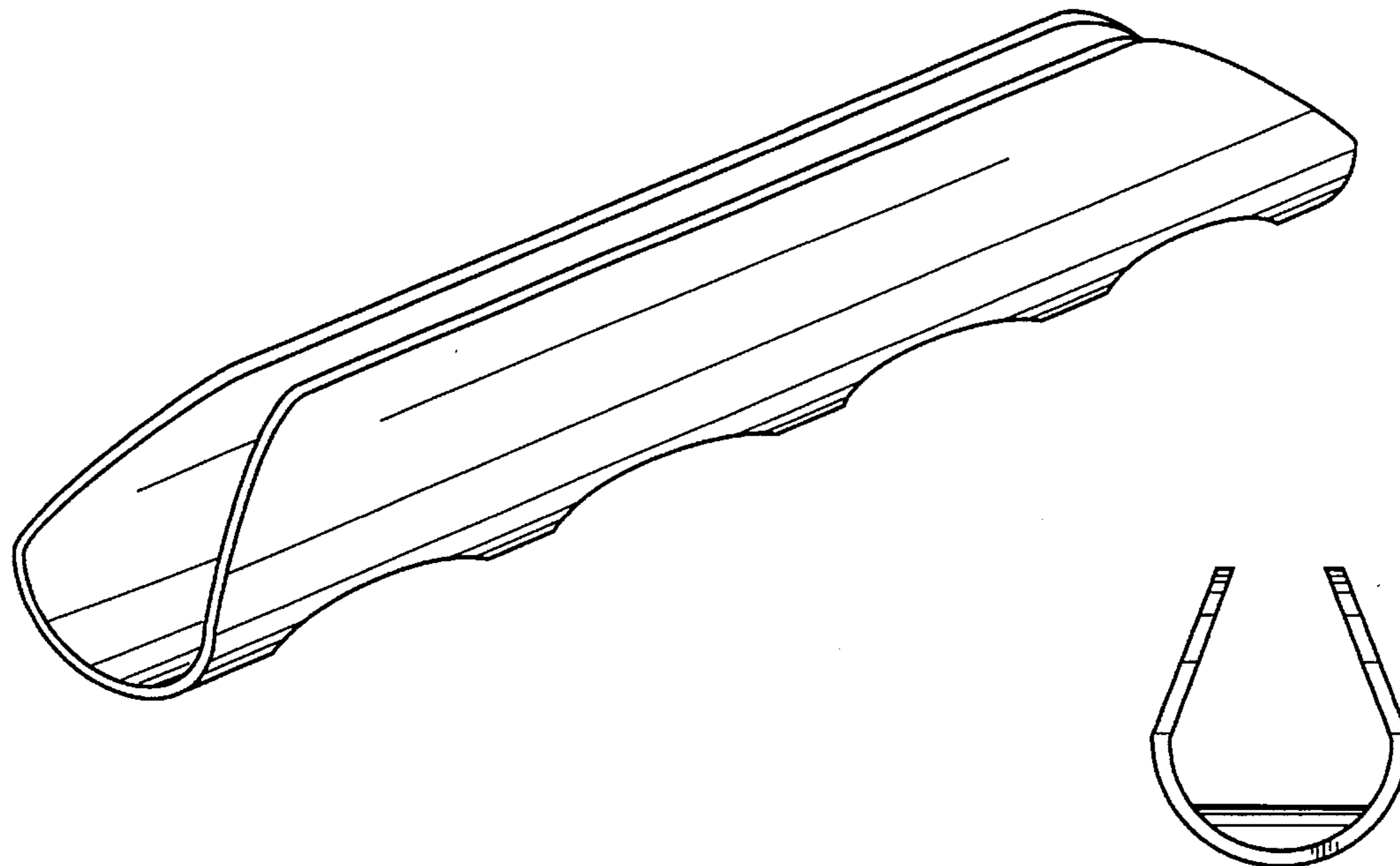


FIG. 1

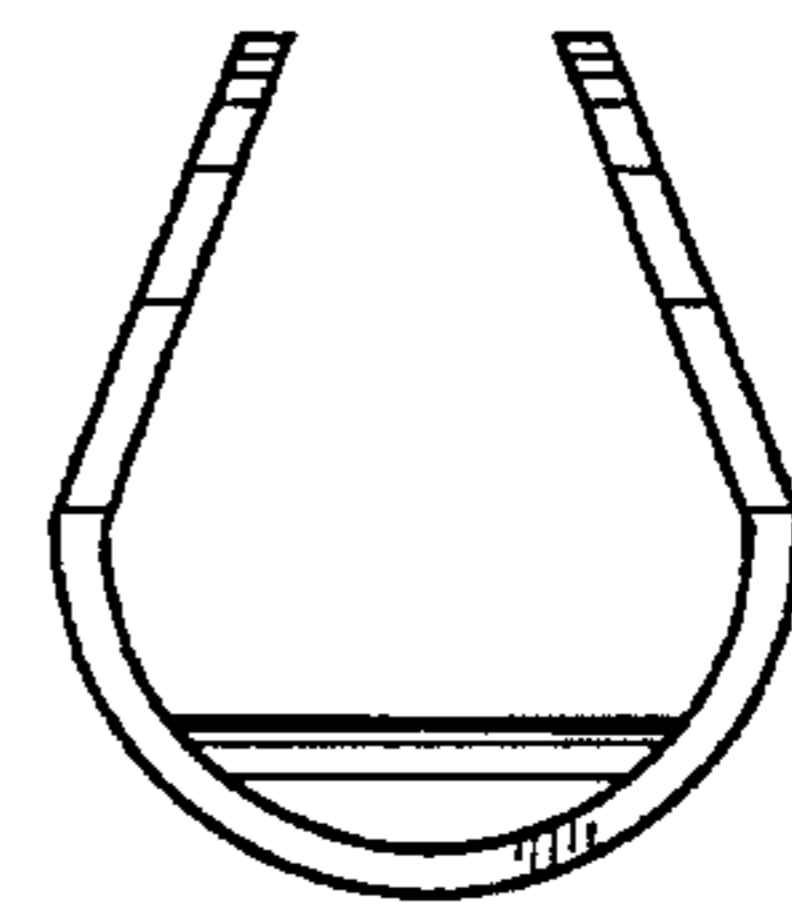
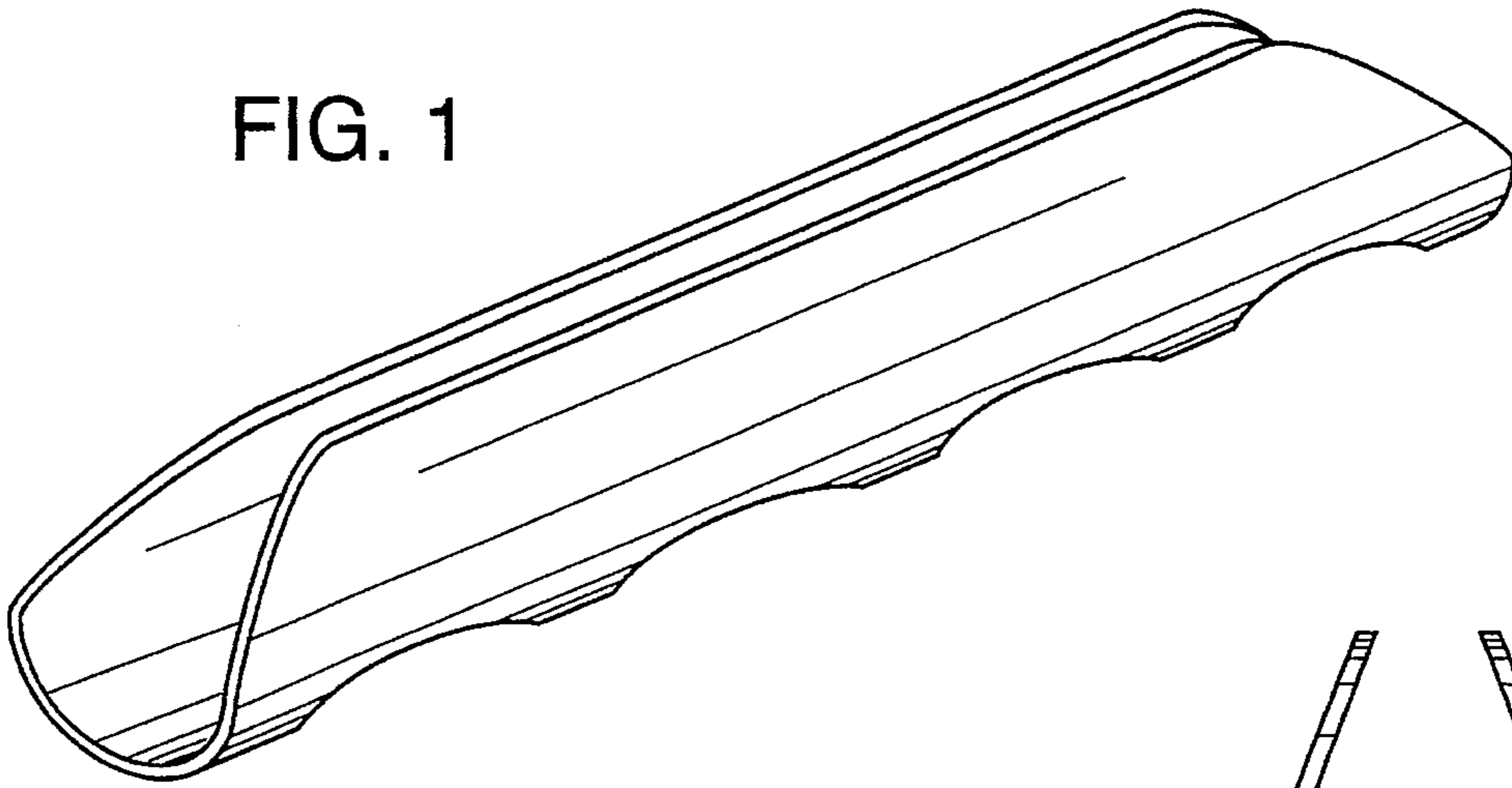


FIG. 2

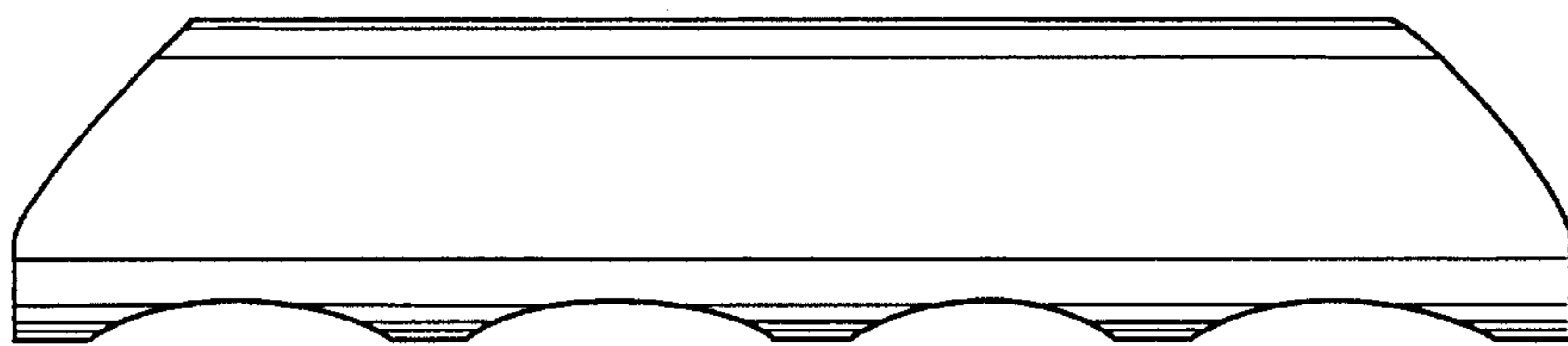


FIG. 3

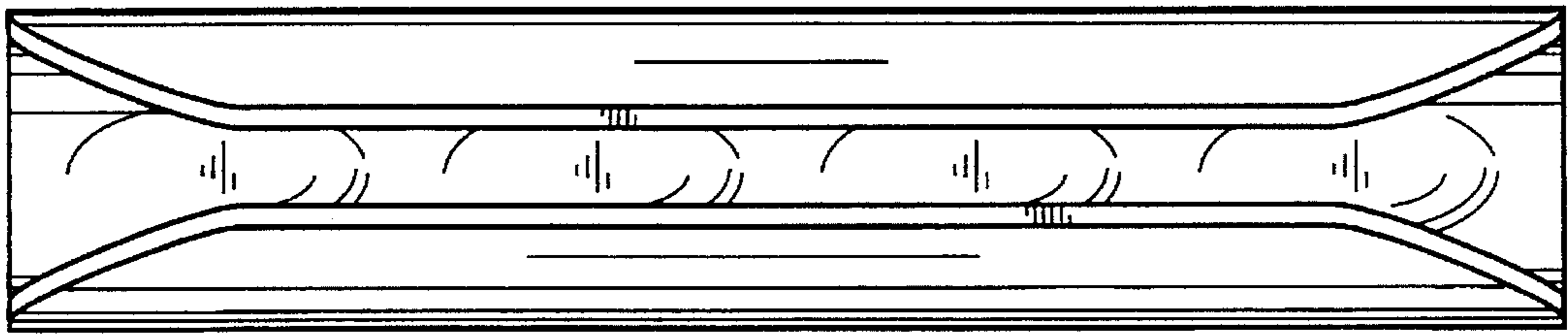


FIG. 4

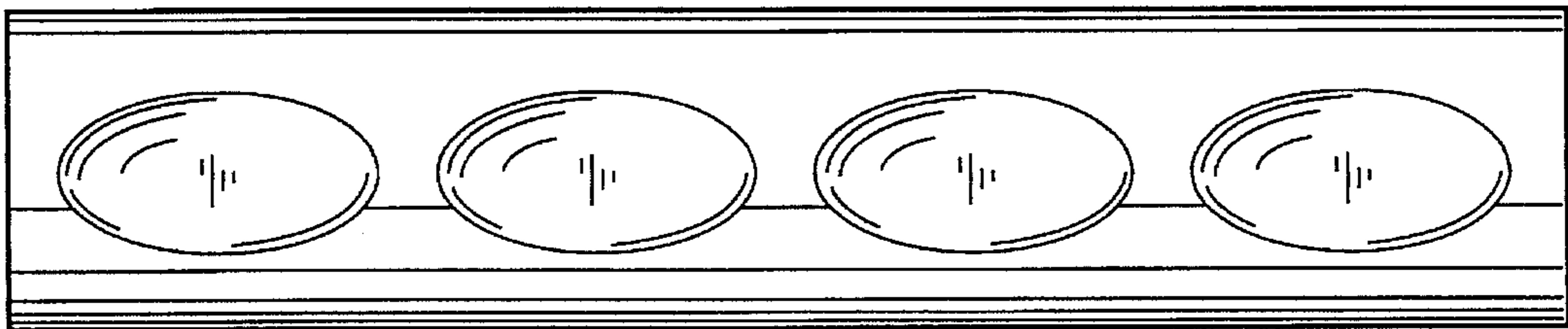


FIG. 5