



US00D374620S

United States Patent [19]

[11] Patent Number: **Des. 374,620**

McQuade et al.

[45] Date of Patent: ****Oct. 15, 1996**

[54] **JUG HANDLE HOLDER**

2271986 12/1975 France .
2541099 8/1984 France .
3819580 12/1989 Germany .
8103008 10/1981 WIPO .

[76] Inventors: **Edmund J. McQuade**, 30409 Hillside Ter.; **Robert L. Ransford**, 34495 Mutts Way, both of Gold Beach, Oreg. 97444

[**] Term: **14 Years**

Primary Examiner—Martie Thompson
Assistant Examiner—Robert M. Spear
Attorney, Agent, or Firm—Jerry T. Kearns

[21] Appl. No.: **33,251**

[57] **CLAIM**

[22] Filed: **Jan. 9, 1995**

The ornamental design for a jug handle holder, as shown and described.

[52] U.S. Cl. **D9/434**

[58] Field of Search D3/315; D7/393, D7/394; D8/300, 313, 315, 317, 319, 320; D9/434, 455, 499; 206/147; 220/752, 759, 760, 770; 383/6, 13, 15, 23, 24

DESCRIPTION

[56] **References Cited**

U.S. PATENT DOCUMENTS

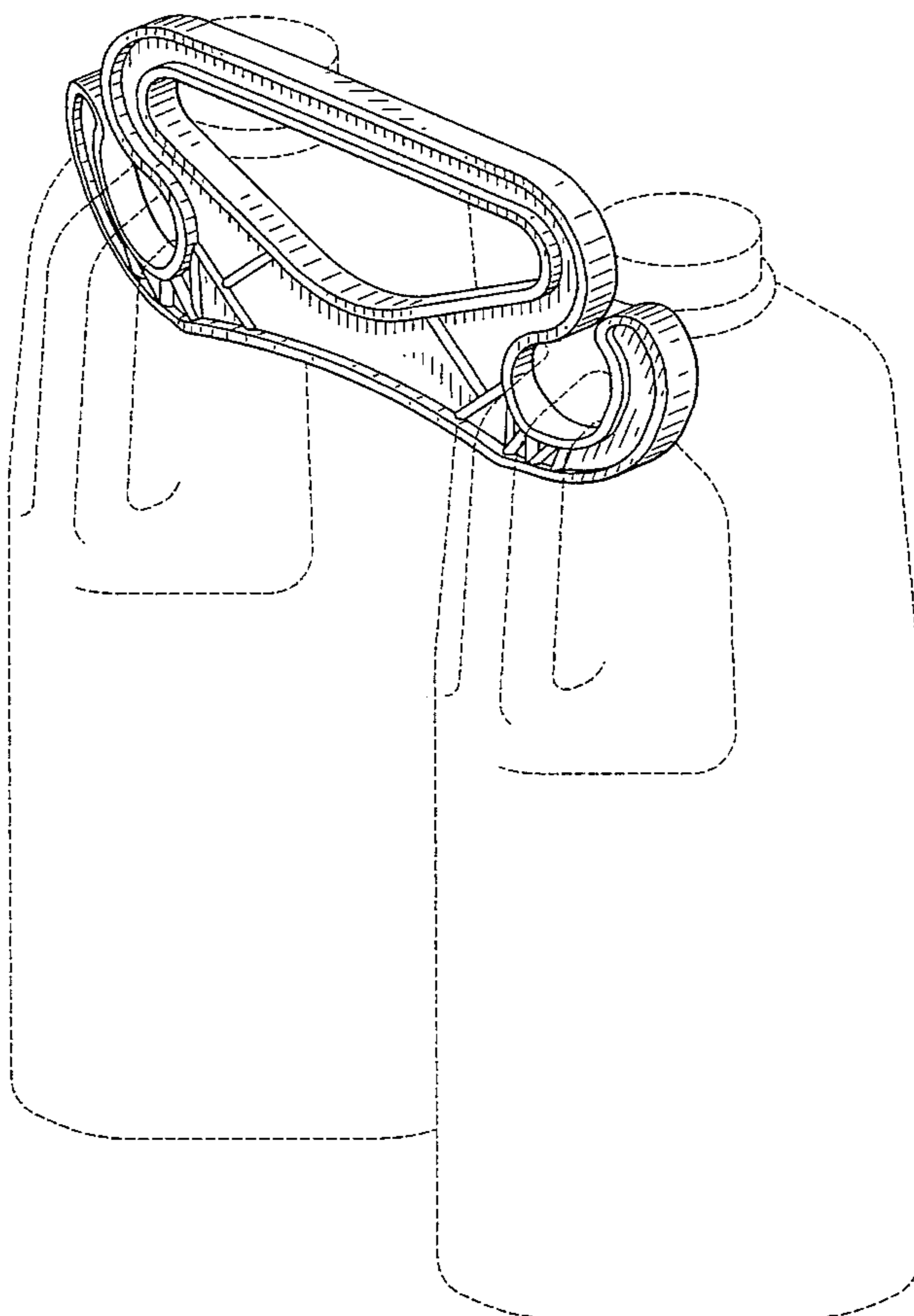
D. 216,062	11/1969	Domingo	383/13
D. 294,915	3/1988	Alonso	D9/434
D 340,863	11/1993	Daigle	.
3,306,406	2/1967	Wilson	D7/394
3,923,191	12/1975	Johnson	220/760
4,112,541	9/1978	Tetradis	383/13
5,181,757	1/1993	Montoya	.

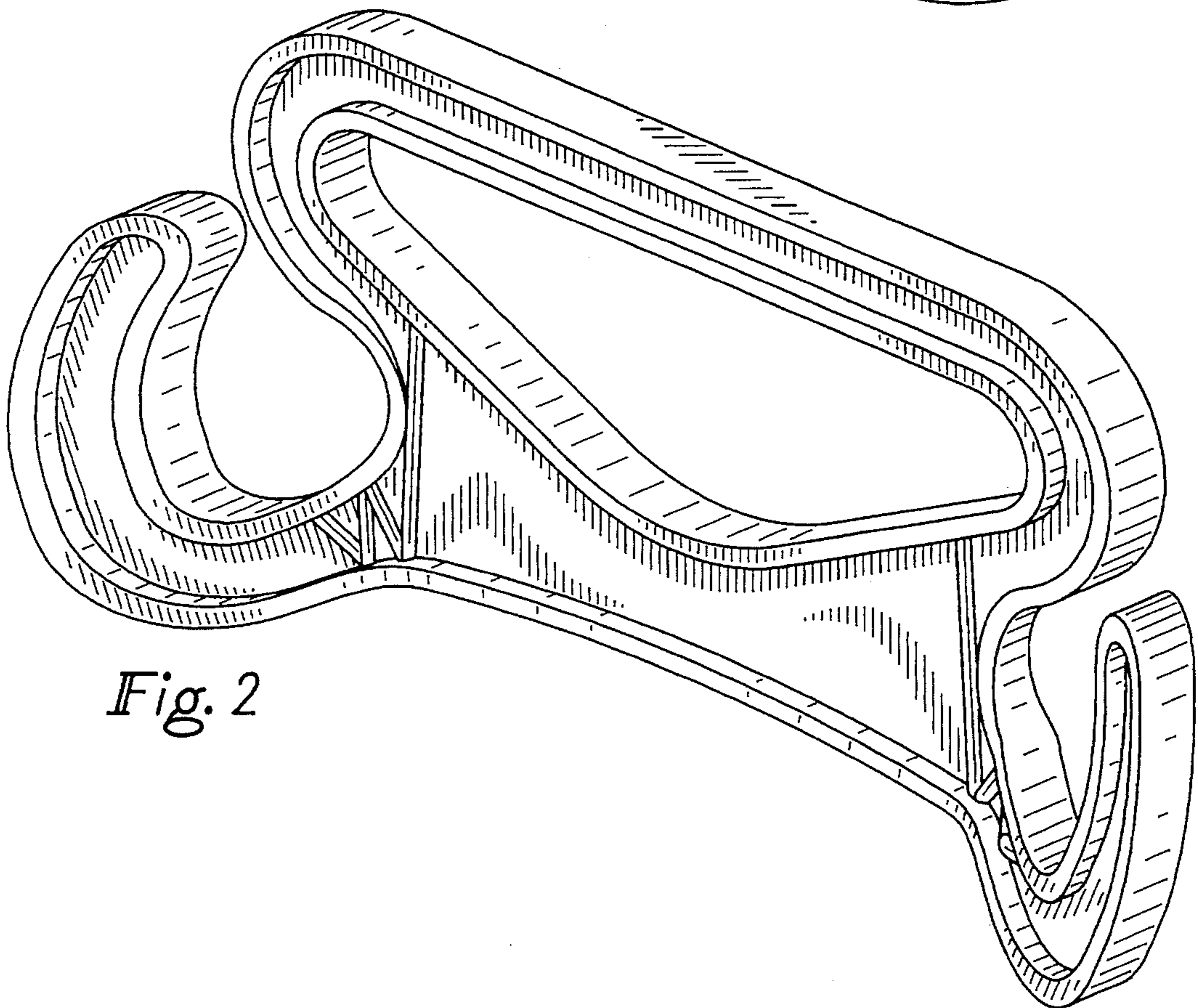
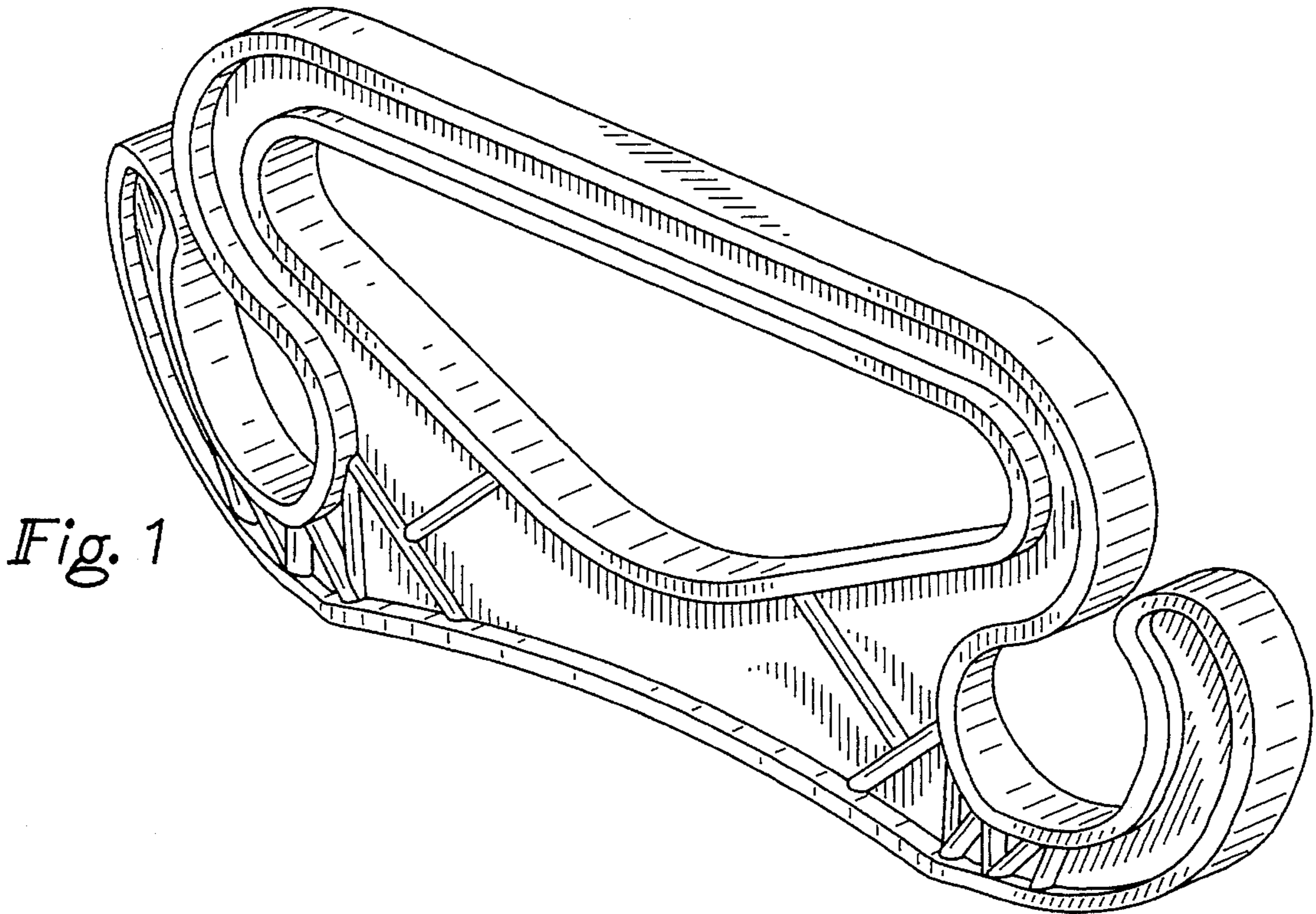
FIG. 1 is a front perspective view of a jug handle holder showing our new design;
FIG. 2 is a rear perspective view thereof;
FIG. 3 is a front elevational view thereof;
FIG. 4 is a rear elevational view thereof;
FIG. 5 is a right side elevational view thereof;
FIG. 6 is a top plan view thereof;
FIG. 7 is a bottom plan view thereof; and,
FIG. 8 is a perspective view illustrating the holder attached to handles of two conventional jugs.
The broken line showing of two jugs is for illustrative purposes only and forms no part of the claimed design.

FOREIGN PATENT DOCUMENTS

356147 2/1990 European Pat. Off. .

1 Claim, 4 Drawing Sheets





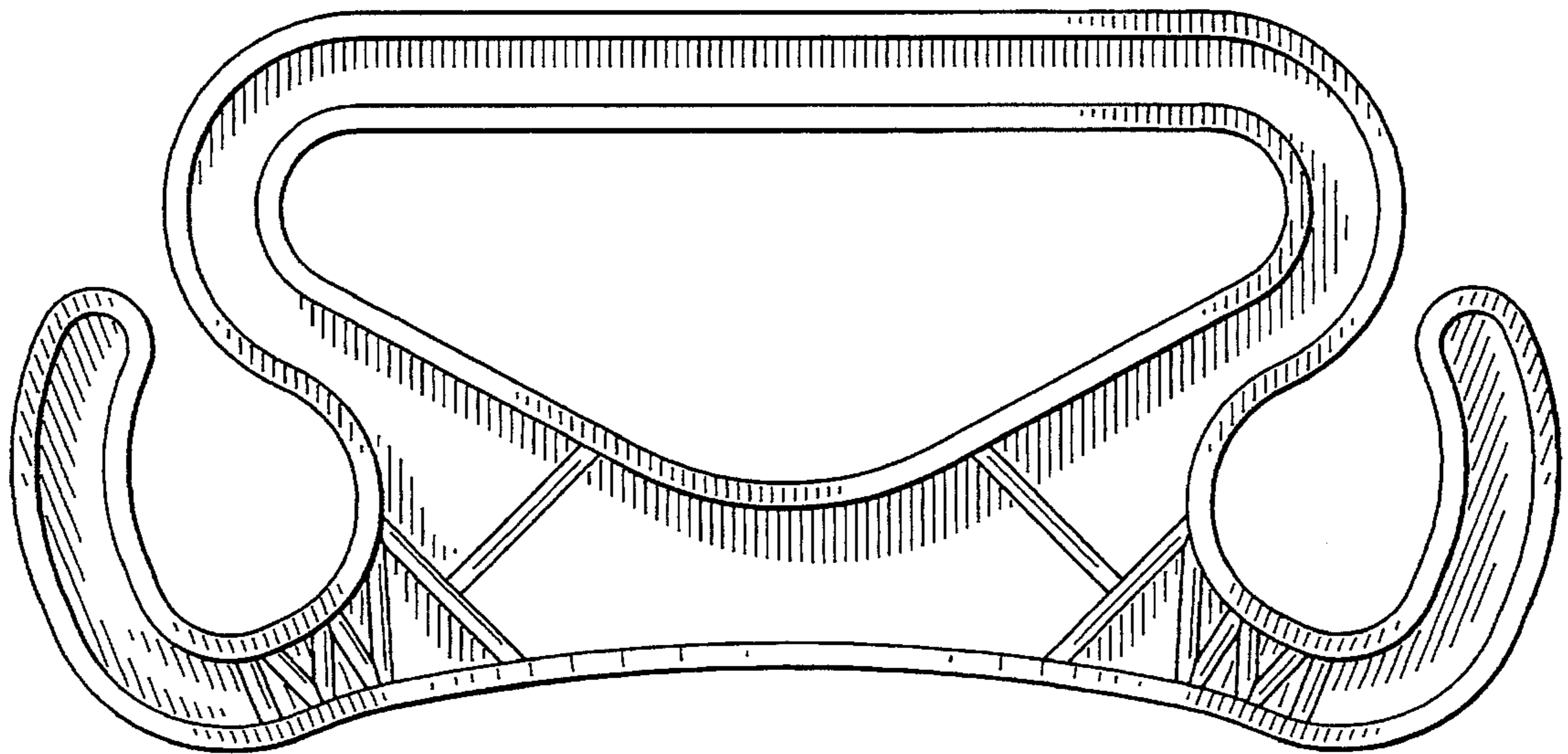


Fig. 3

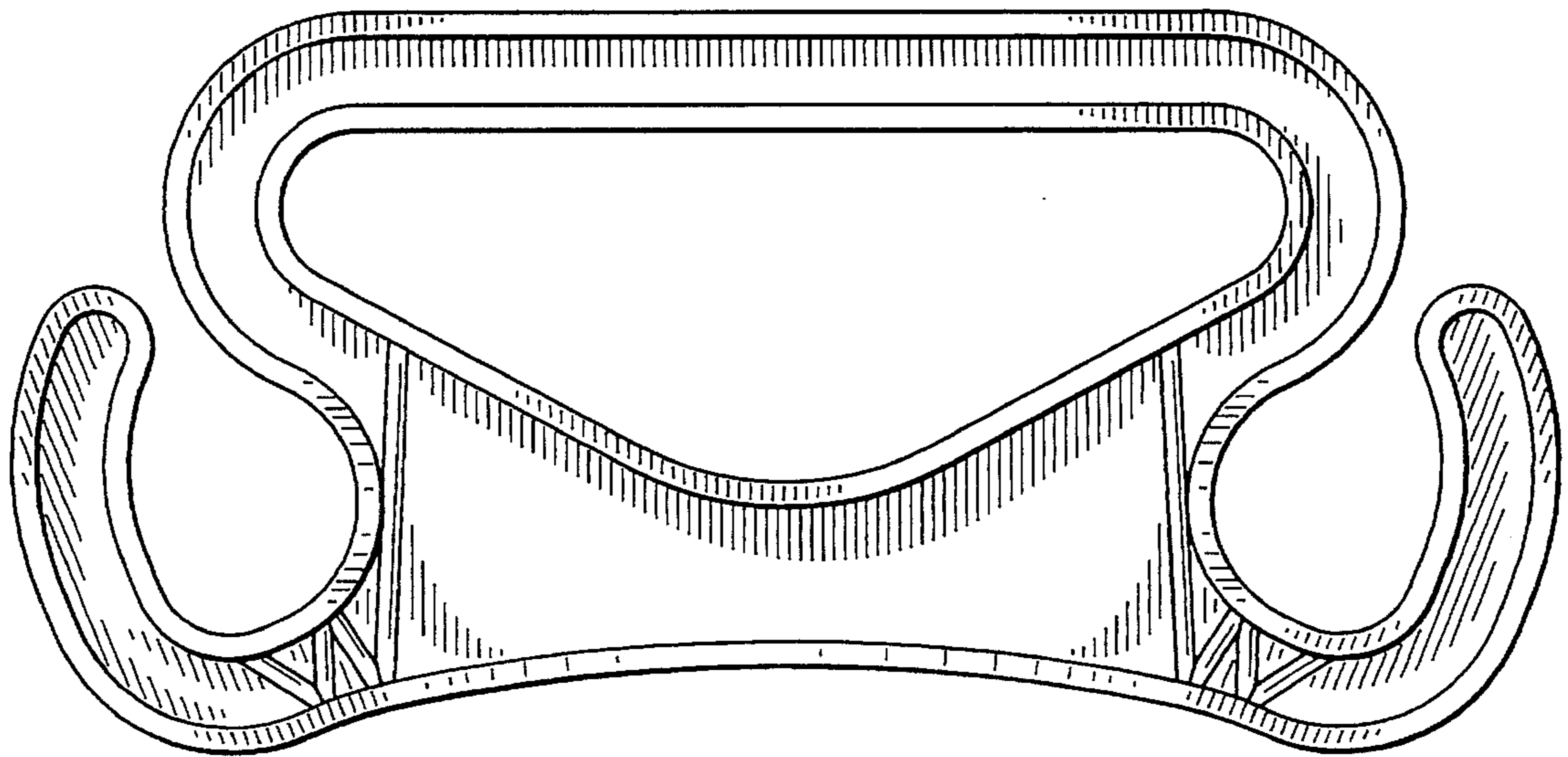


Fig. 4

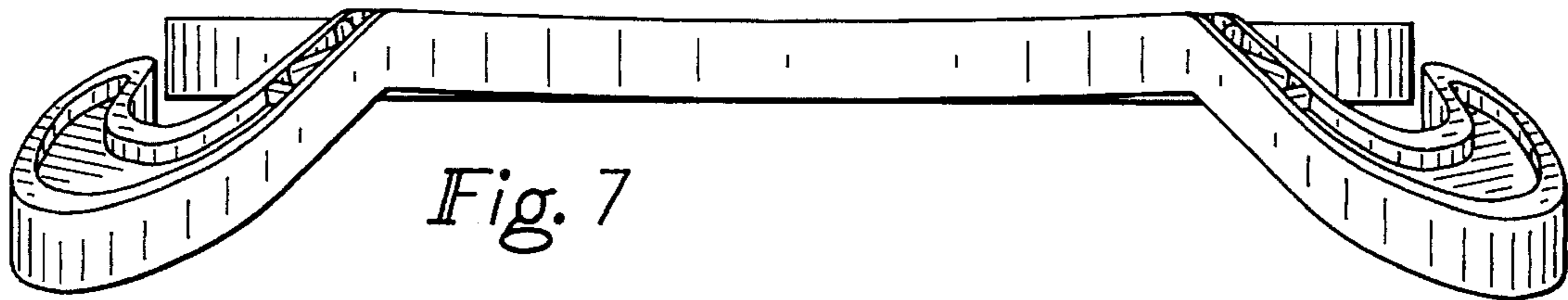
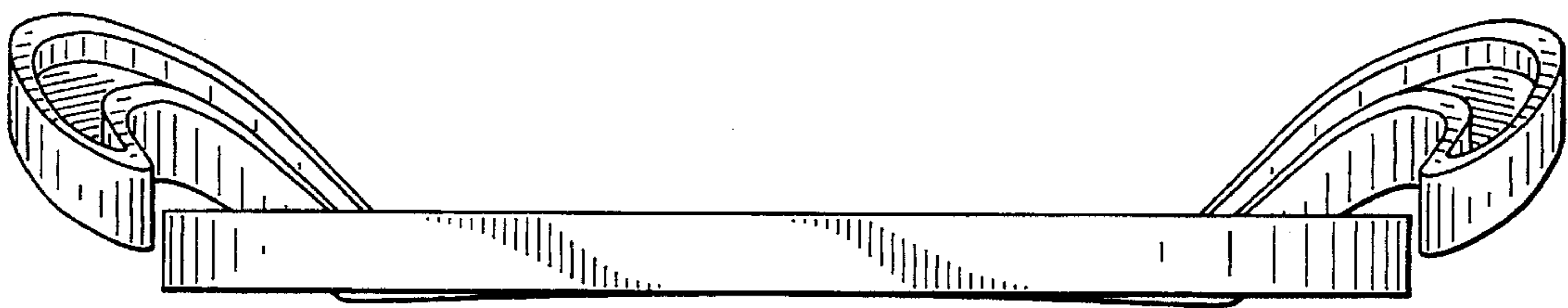
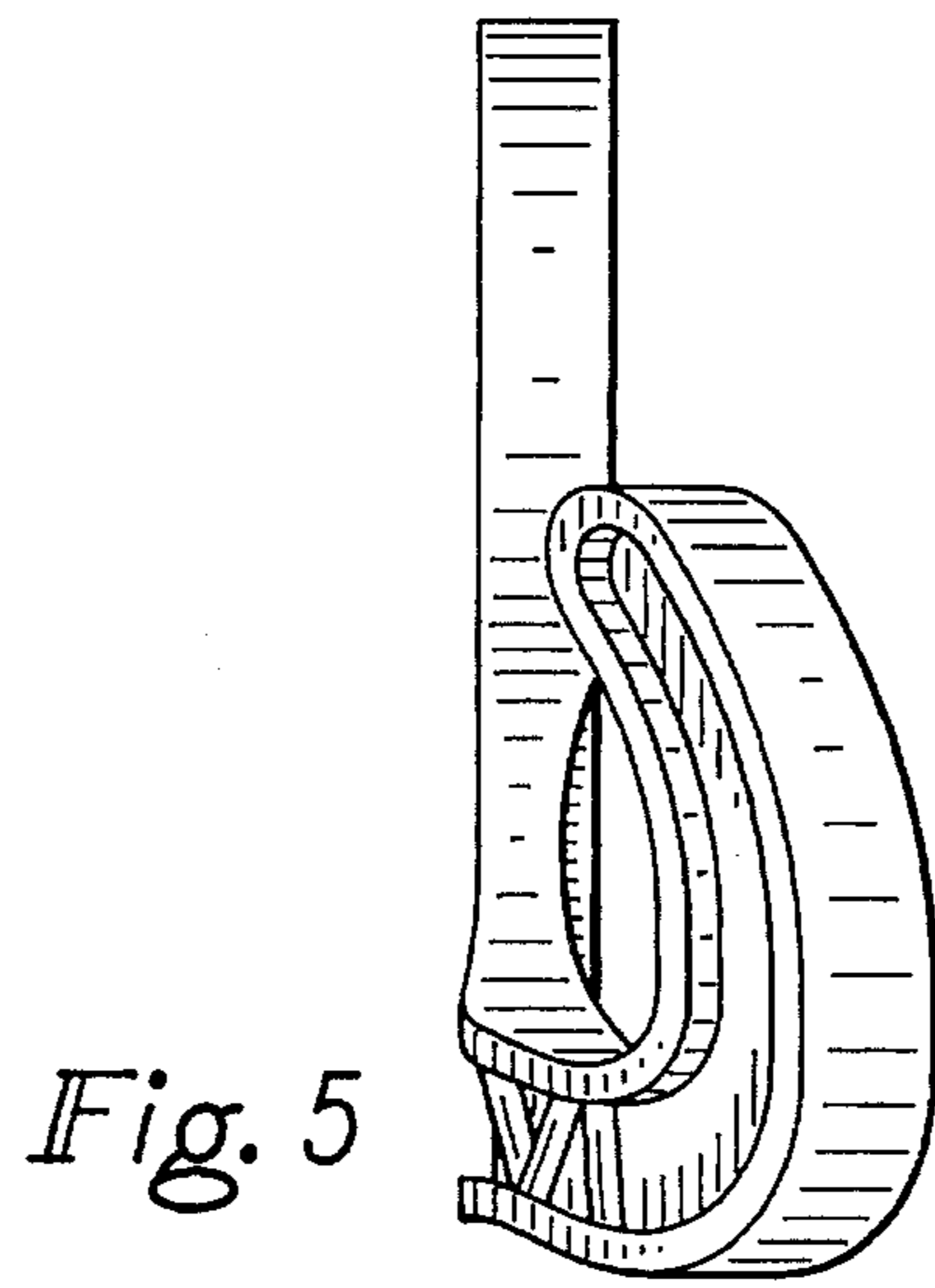


Fig. 8

