



US00D374608S

United States Patent [19]

[11] Patent Number: **Des. 374,608**

Shoda

[45] Date of Patent: ****Oct. 15, 1996**

[54] SHELF JOINT

[75] Inventor: **Asao Shoda**, Shizuoka, Japan

[73] Assignee: **Yazaki Industrial Chemical Company, Limited**, Shizuoka-ken, Japan

[**] Term: **14 Years**

[21] Appl. No.: **37,932**

[22] Filed: **Apr. 24, 1995**

[52] U.S. Cl. **D8/382**

[58] Field of Search D7/382; 403/198, 403/205, 230, 236, 394, 399, 400, 403

[56] **References Cited**

U.S. PATENT DOCUMENTS

D. 336,731	6/1993	Nichols, Jr.	D8/382
2,668,727	2/1954	Zinke	403/400 X
2,839,320	6/1958	Hill	D8/382 X
3,904,161	9/1975	Scott	403/400 X
4,566,819	1/1986	Johnston	403/400 X

Primary Examiner—Terry A. Wallace

Attorney, Agent, or Firm—Eric P. Schellin

[57] **CLAIM**

The ornamental design for a shelf joint, as shown and described.

DESCRIPTION

FIG. 1 is a top, front, and right side perspective view of shelf joint showing my new design;
 FIG. 2 is a front elevational view;
 FIG. 3 is a rear elevational view;
 FIG. 4 is a top plan view;
 FIG. 5 is a bottom plan view;
 FIG. 6 is a left side elevational view;
 FIG. 7 is a right side elevational view;
 FIG. 8 is a sectional view taken in the direction of the arrows on line 8—8 of FIG. 2;
 FIG. 9 is a sectional view taken in the direction of the arrows on line 9—9 of FIG. 2;
 FIG. 10 is a sectional view taken in the direction of the arrows on line 10—10 of FIG. 7;
 FIG. 11 is an exploded top, front and right side perspective view; and,
 FIG. 12 is a top, front and right side perspective view with the pipes shown for illustrative purposes only.

1 Claim, 6 Drawing Sheets

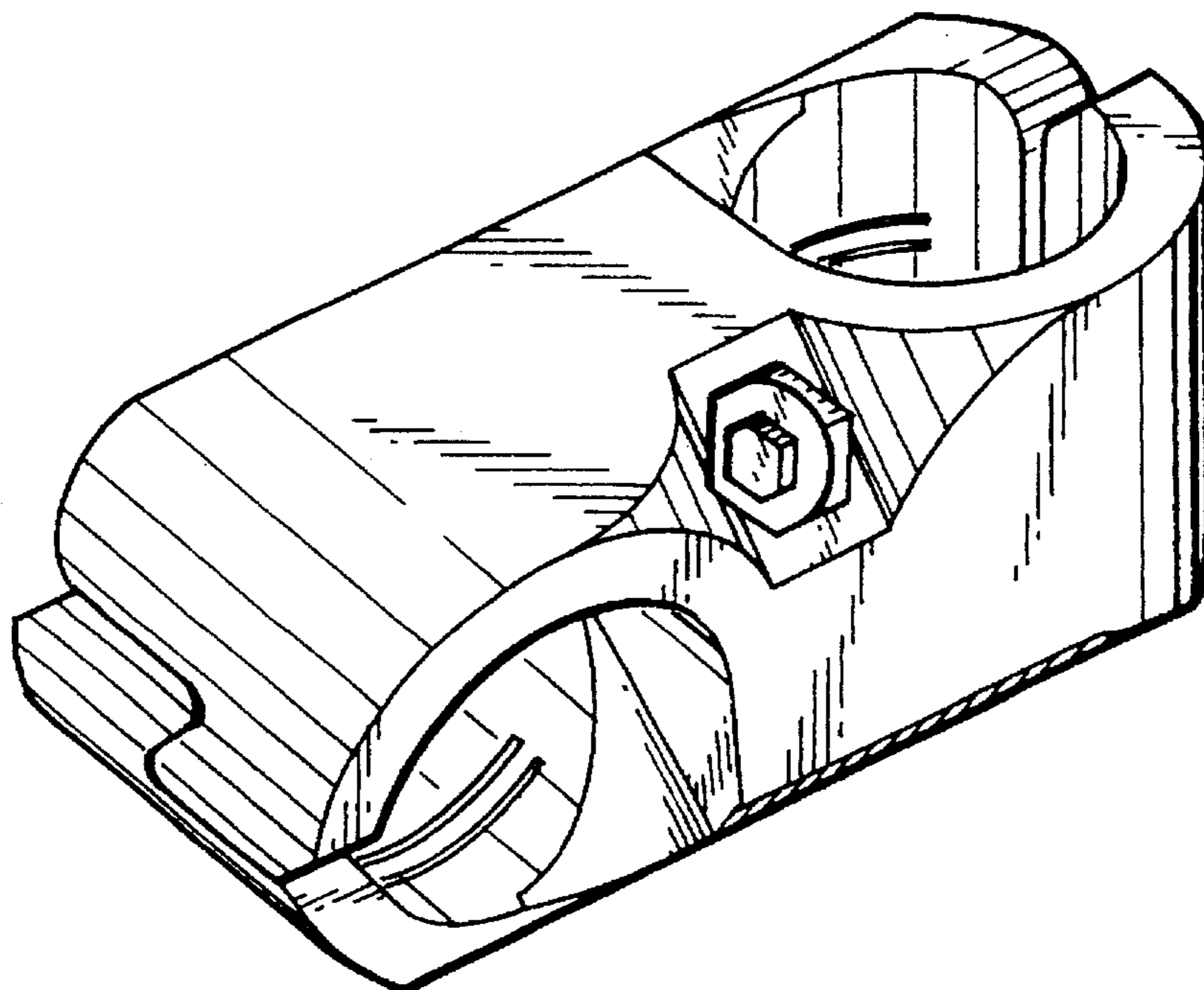


FIG. 1

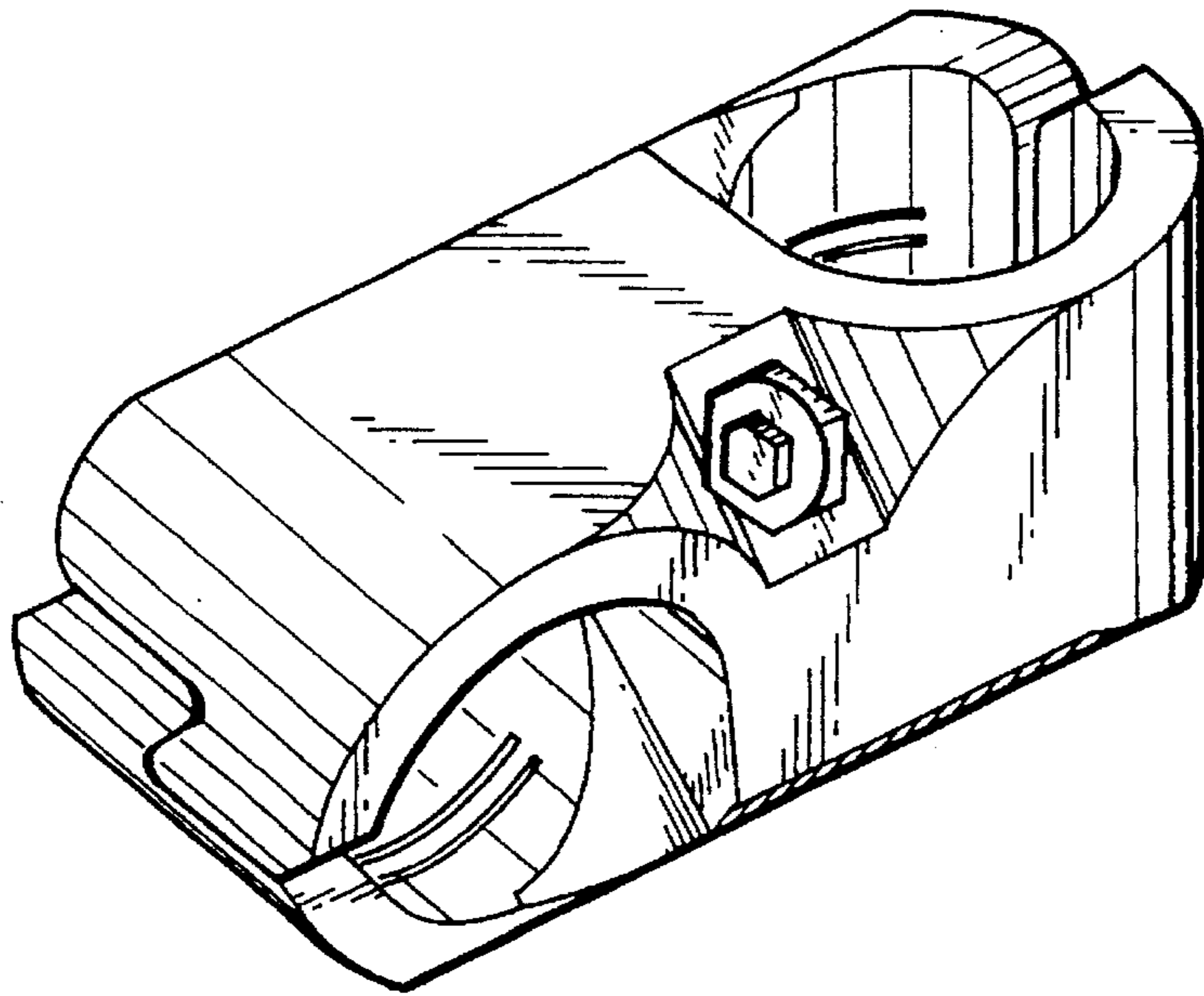


FIG. 2

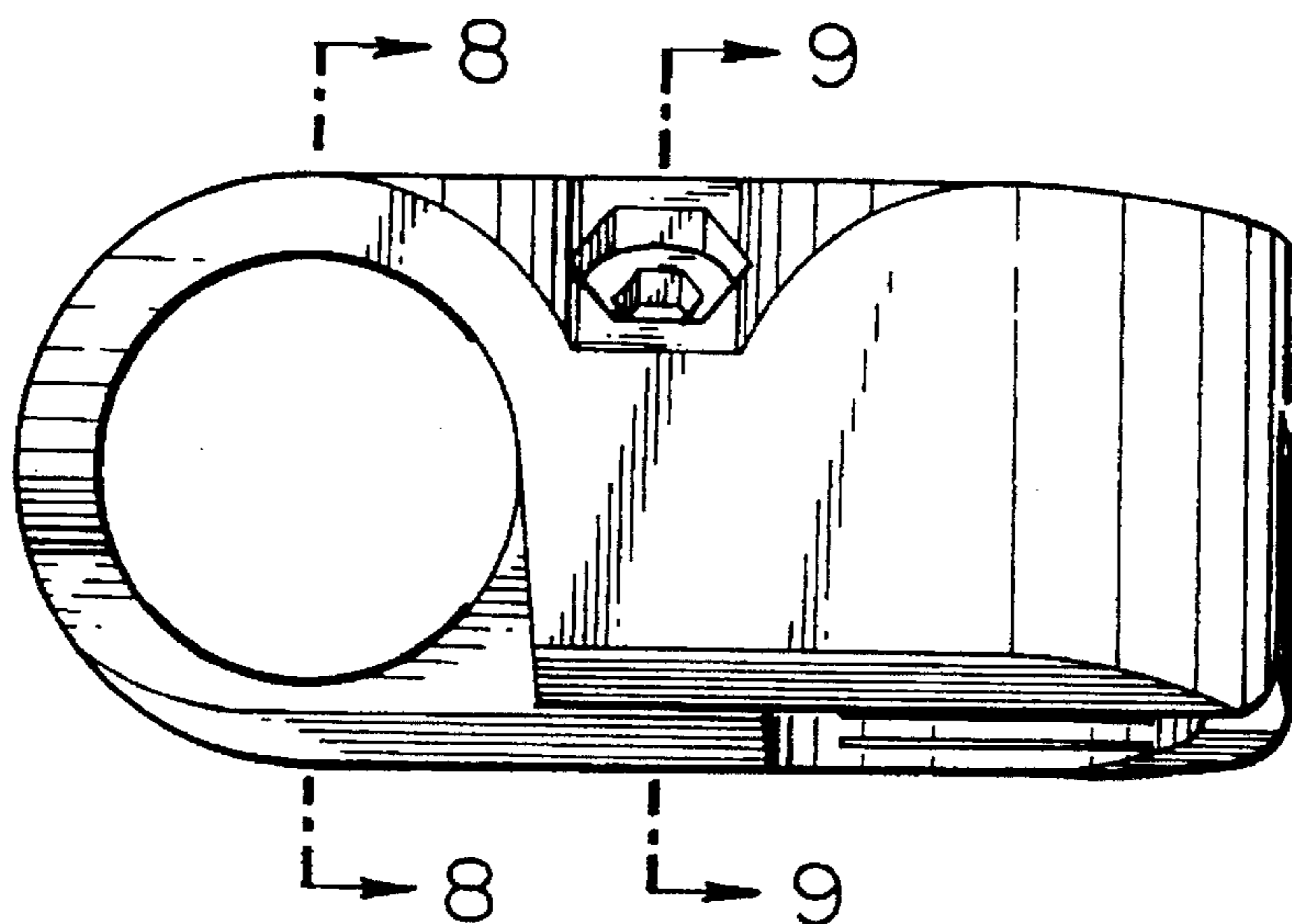


FIG. 3

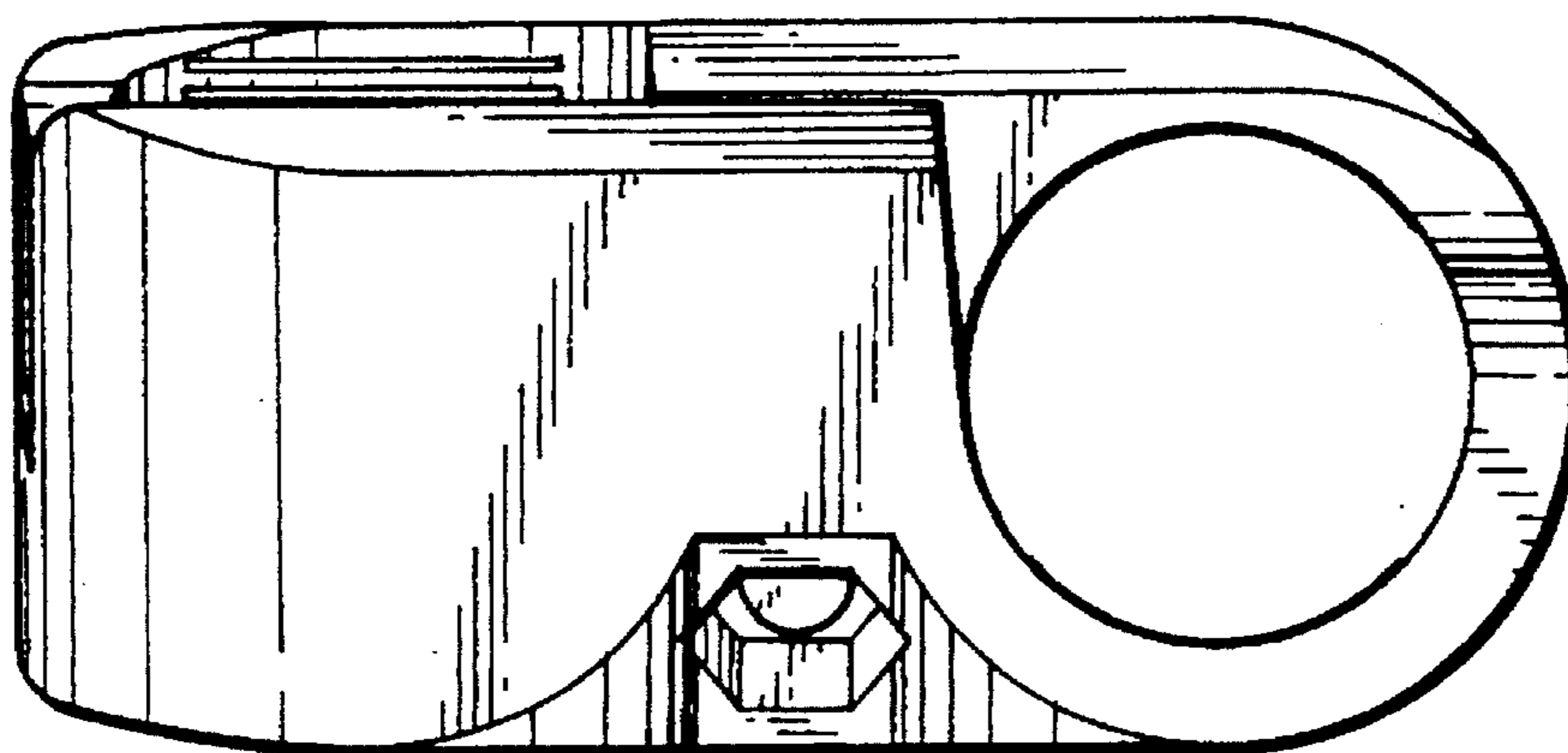


FIG. 4

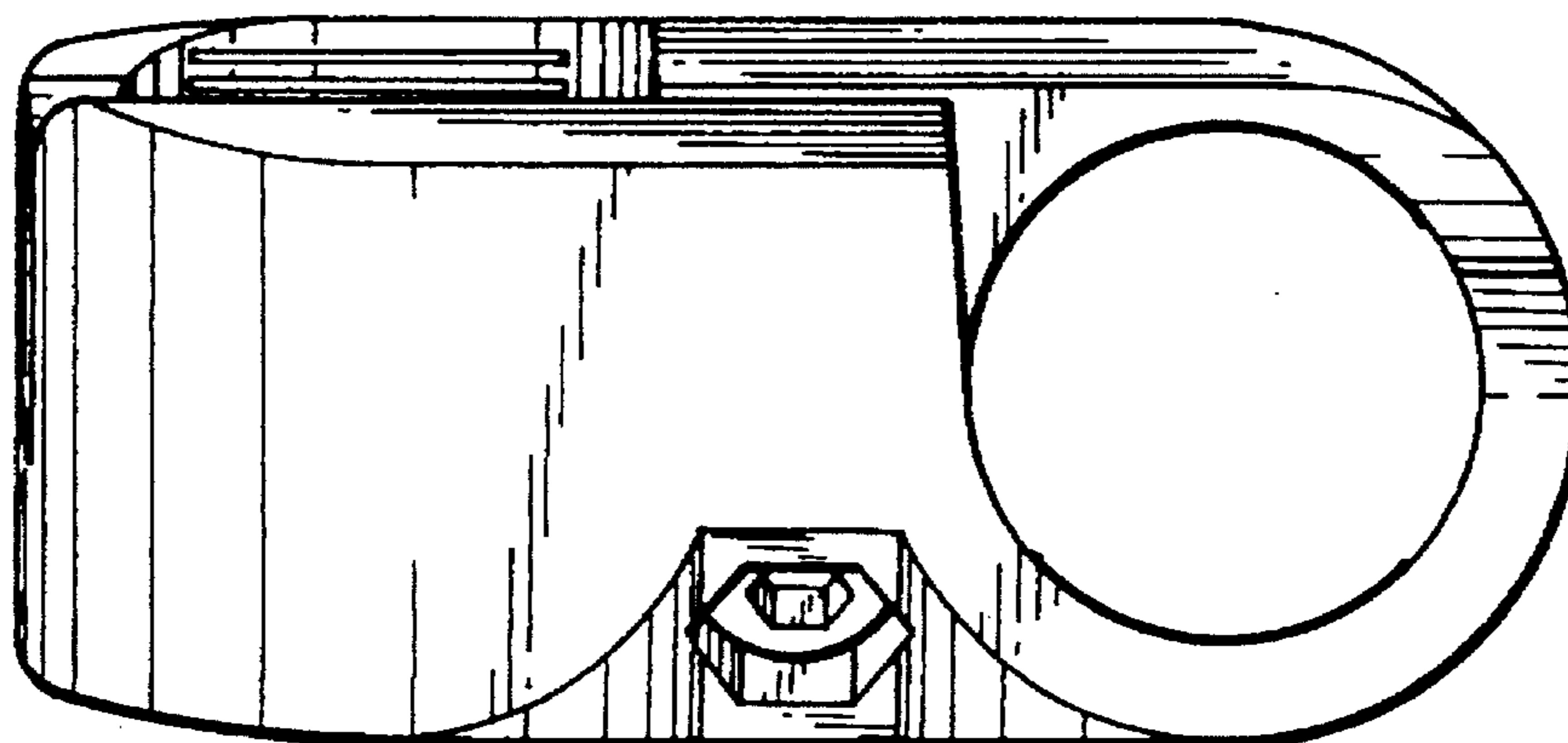


FIG. 5

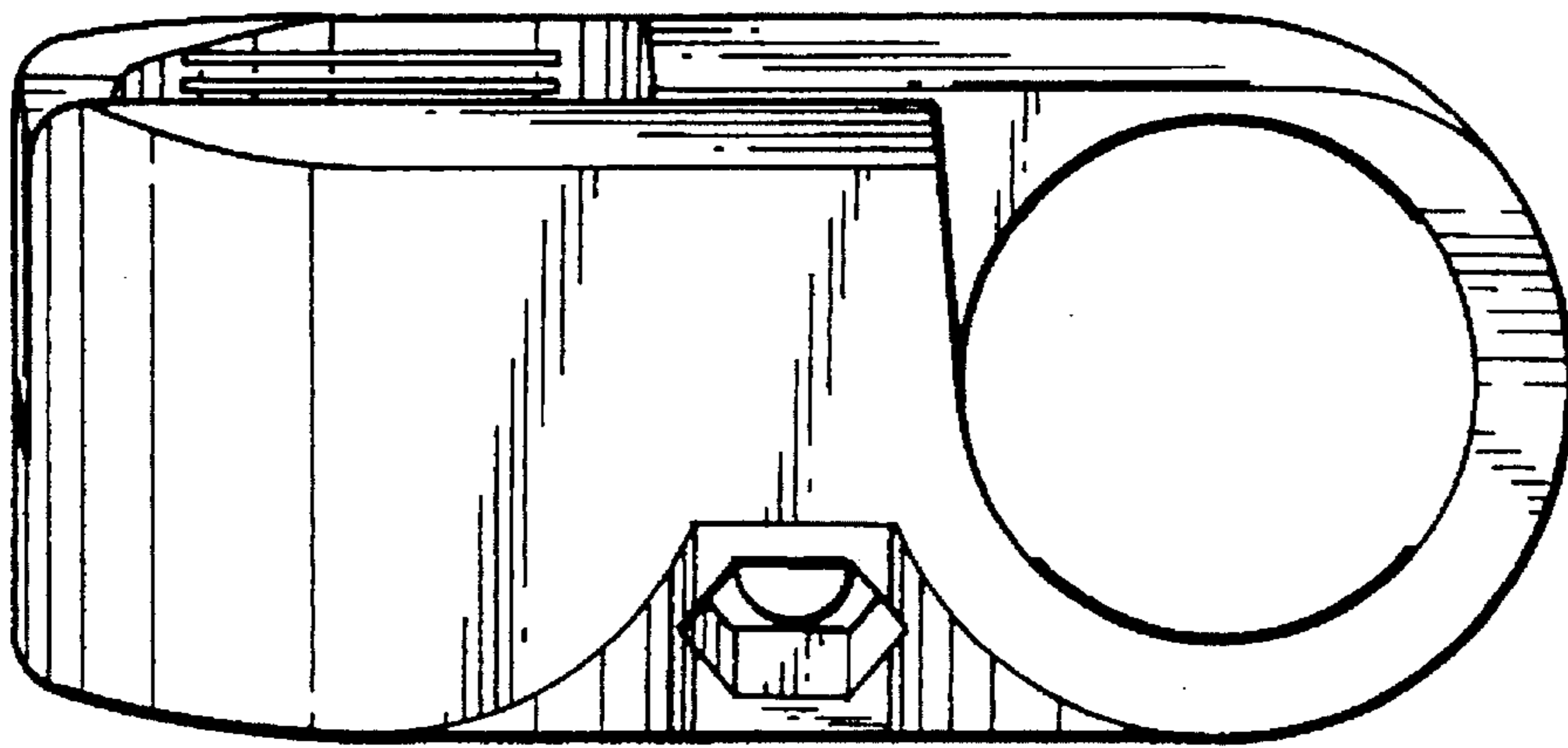


FIG. 6

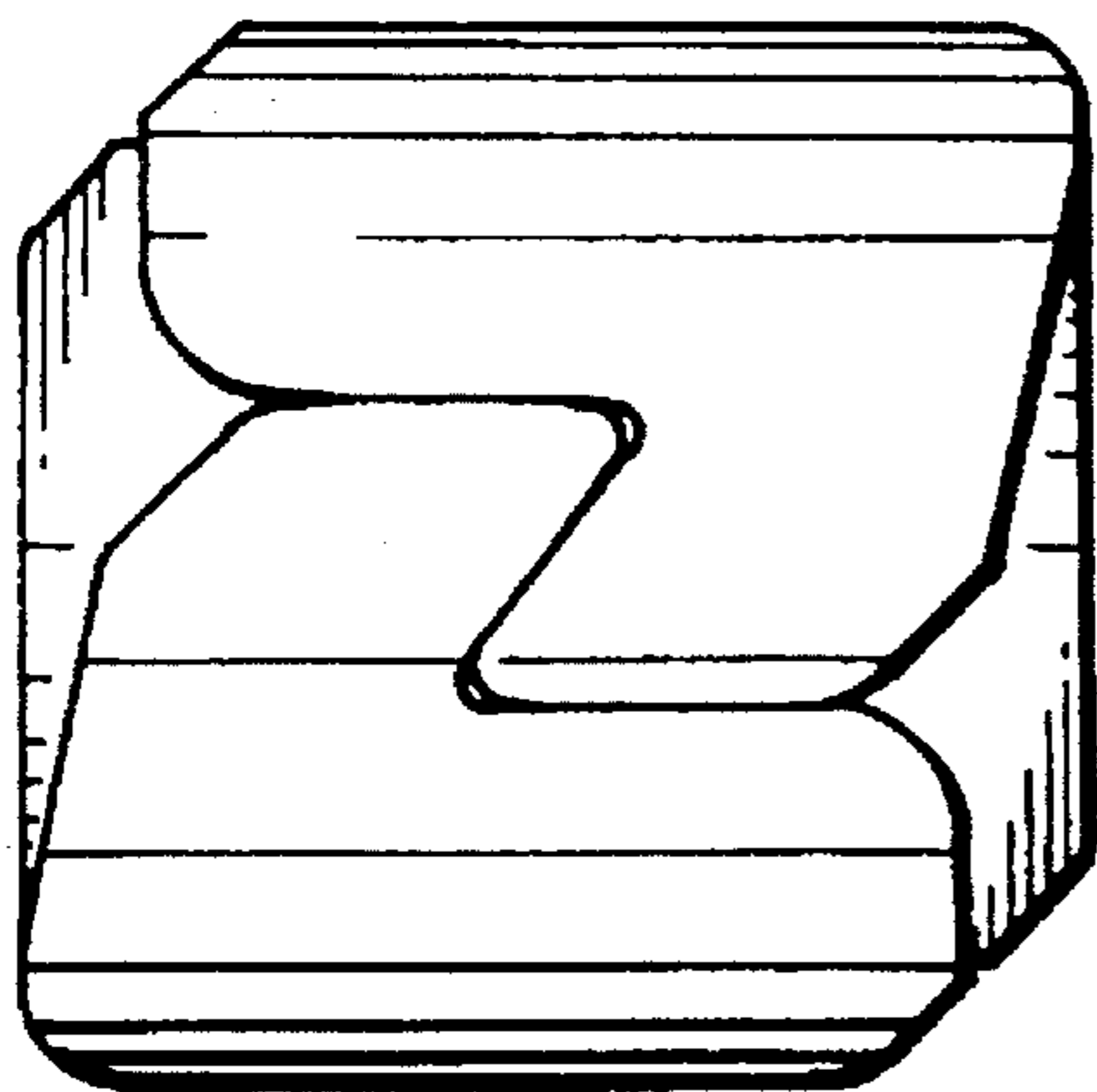


FIG. 7

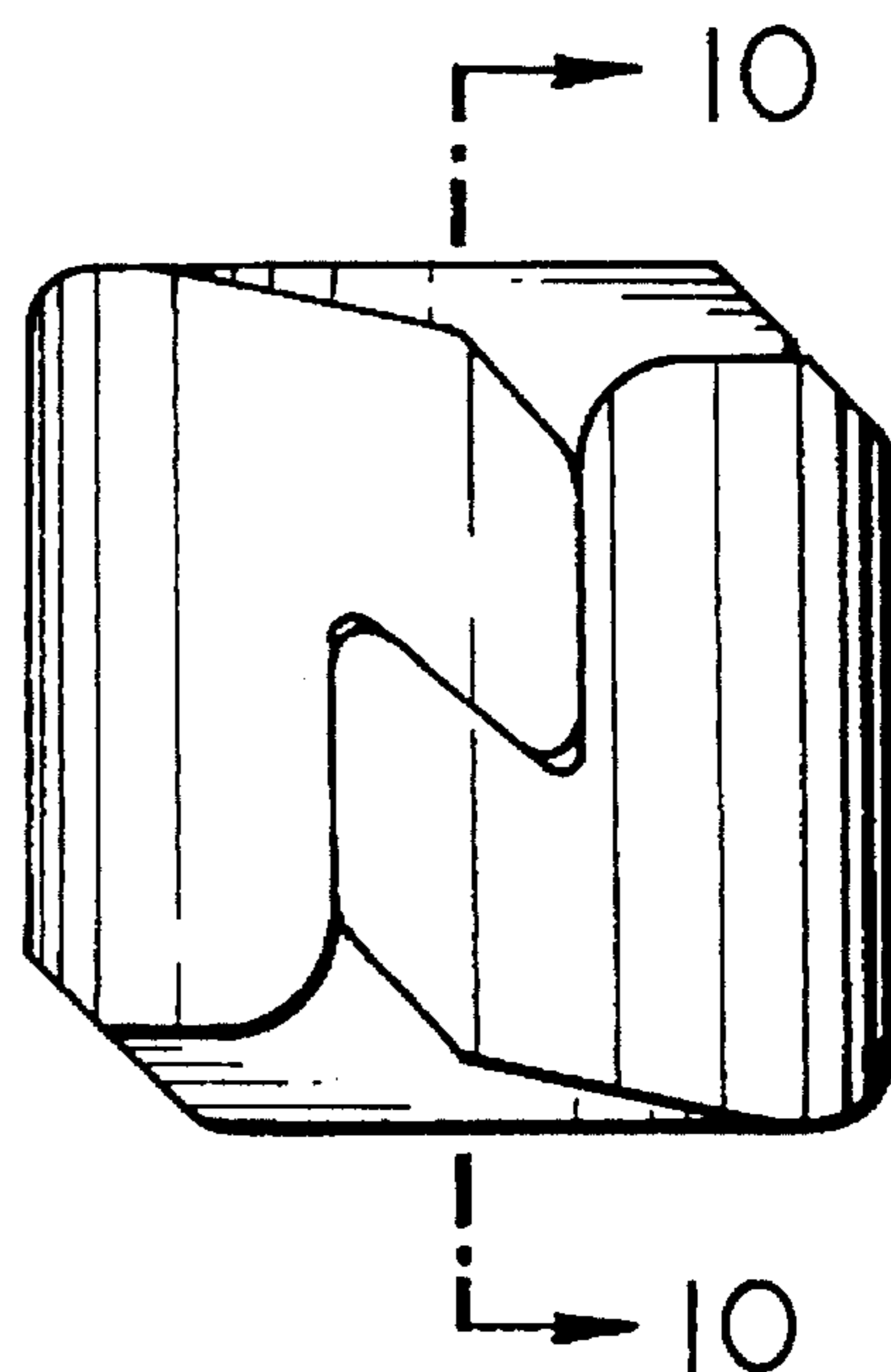


FIG. 8

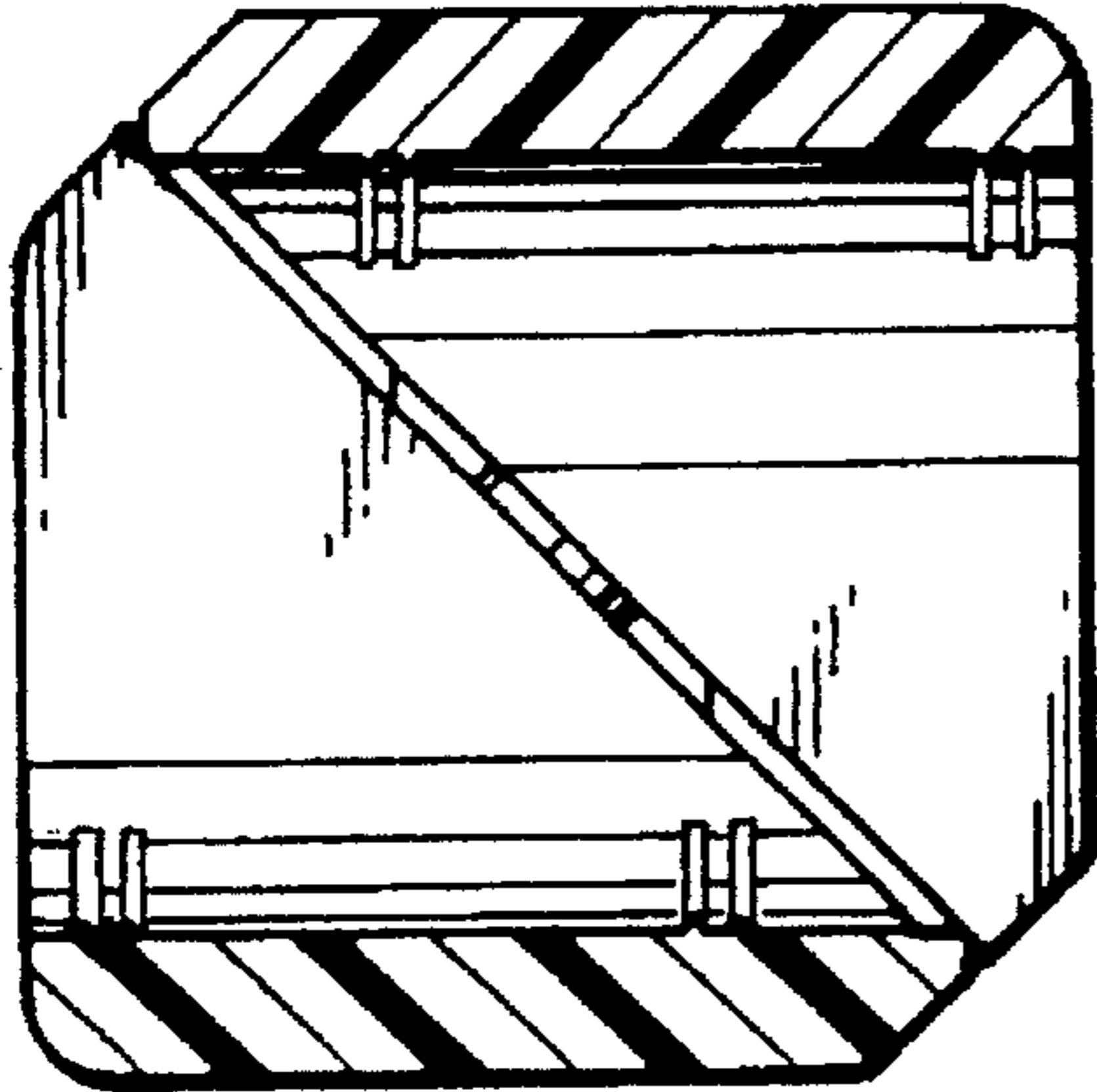


FIG. 9

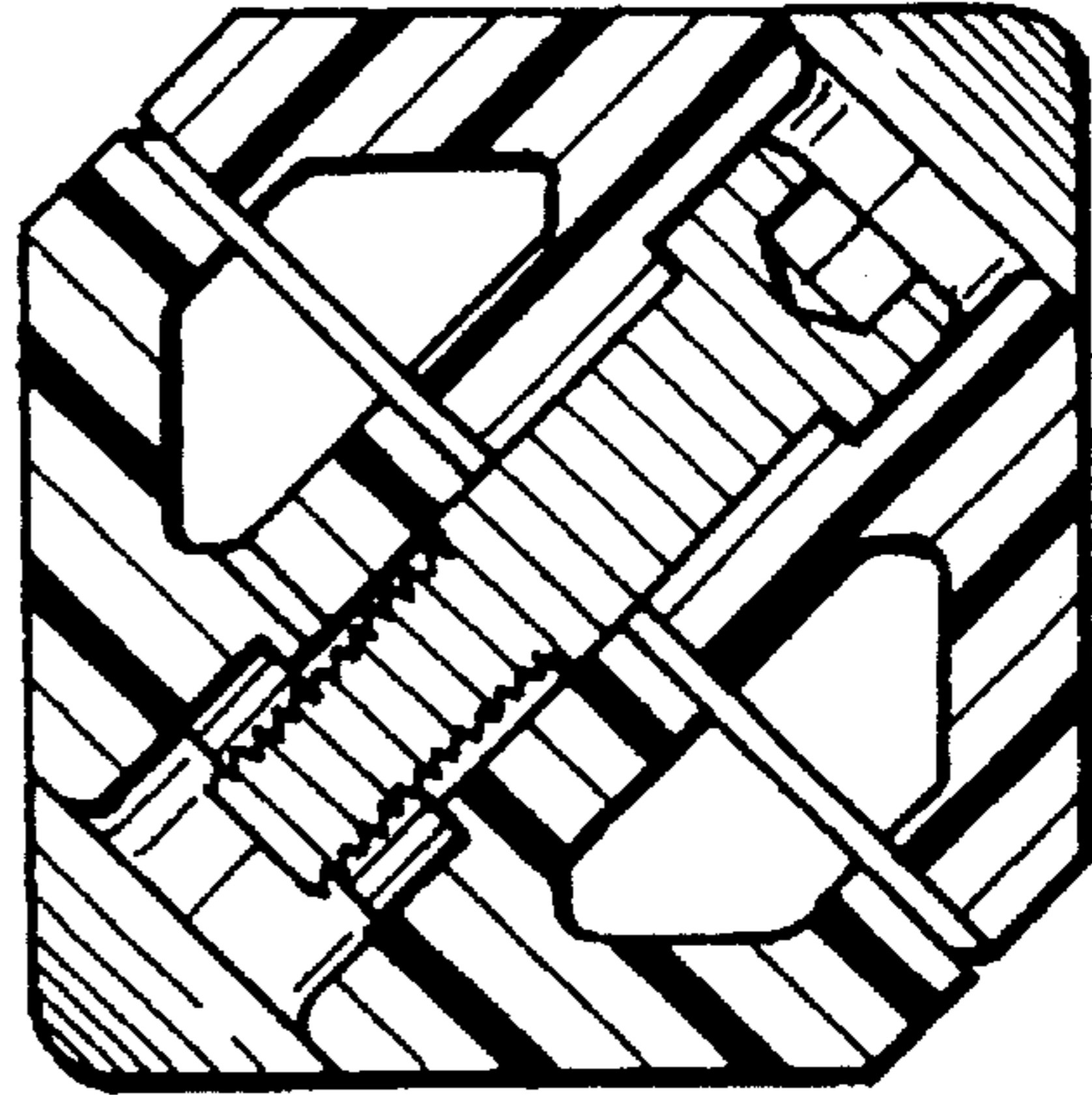


FIG. 10

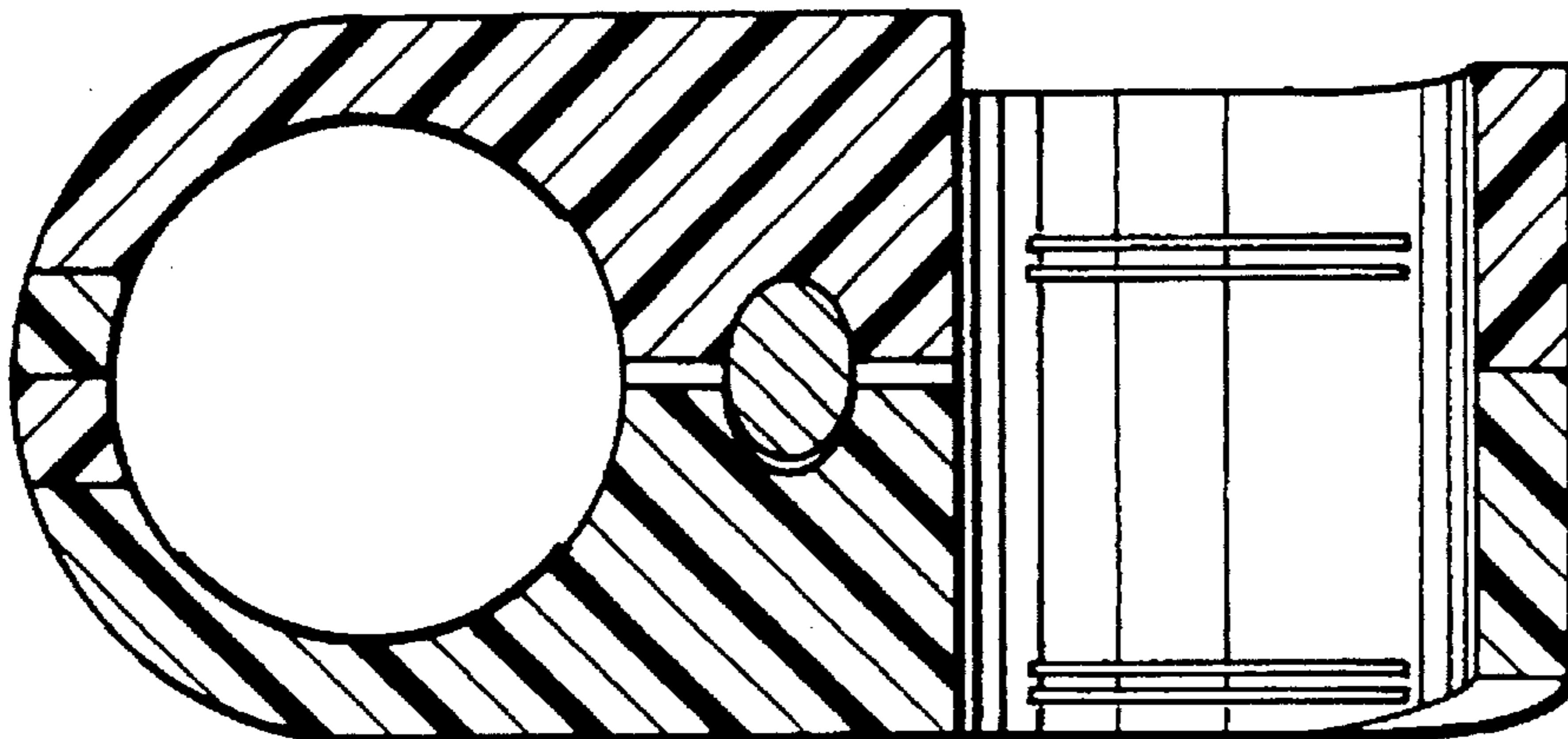


FIG. 11

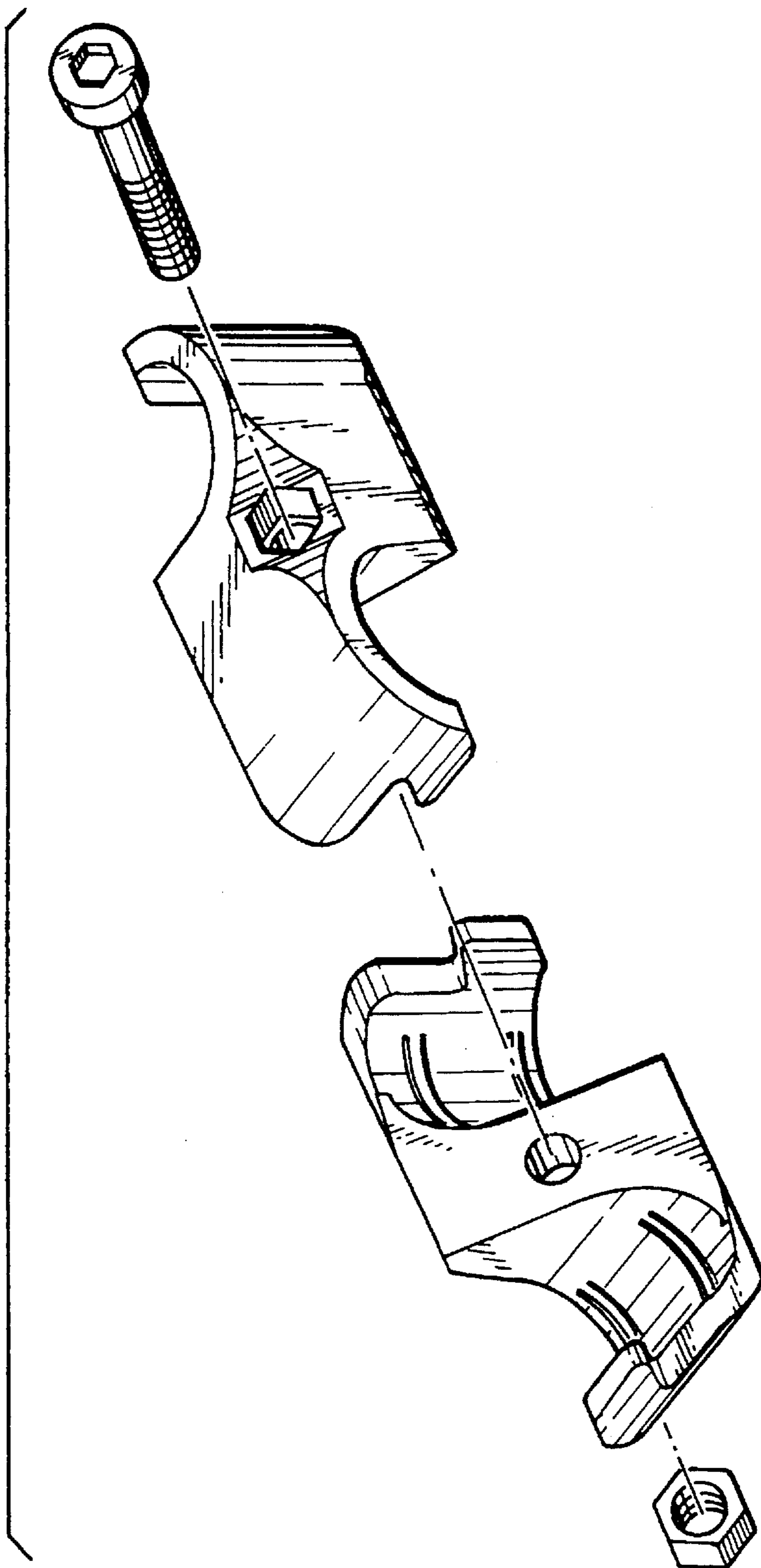


FIG. 12

