



US00D374607S

# United States Patent [19]

[11] Patent Number: Des. 374,607

Shoda

[45] Date of Patent: \*\*Oct. 15, 1996

[54] SHELF JOINT

[75] Inventor: Asao Shoda, Shizuoka, Japan

[73] Assignee: Yazaki Industrial Chemical Company, Limited, Shizuoka-ken, Japan

[\*\*] Term: 14 Years

[21] Appl. No.: 37,927

[22] Filed: Apr. 24, 1995

[52] U.S. Cl. .... D8/382

[58] Field of Search ..... D8/382, 354, 396; 403/72, 73, 119, 141, 150, 231, 233, 236, 235

## [56] References Cited

### U.S. PATENT DOCUMENTS

D. 355,590	2/1995	Kuwata	.....	D8/382
986,796	3/1911	Behm	.....	403/236
1,056,574	3/1913	Newton	.....	403/236 X
1,822,389	9/1931	Blakely	.....	403/235 X
5,028,161	7/1991	Peleg	.....	403/236 X

Primary Examiner—Terry A. Wallace  
Attorney, Agent, or Firm—Eric P. Schellin

## [57] CLAIM

The ornamental design for a shelf joint, as shown and described.

## DESCRIPTION

FIG. 1 is a top, front and right side perspective view of a

shelf joint showing my new design;

FIG. 2 is a front elevational view;

FIG. 3 is a top plan view;

FIG. 4 is a bottom plan view;

FIG. 5 is a left side elevational view;

FIG. 6 is a right side elevational view;

FIG. 7 is a sectional view taken in the direction of the arrows on line 7—7 of FIG. 3;

FIG. 8 is a sectional view taken in the direction of the arrows on line 8—8 of FIG. 3;

FIG. 9 is a sectional view taken in the direction of the arrows on line 9—9 of FIG. 3;

FIG. 10 is a sectional view taken in the direction of the arrows on line 10—10 of FIG. 3;

FIG. 11 is an exploded top, front and right side perspective view;

FIG. 12 is a top, front and right side perspective view with the pipe being for illustrative purposes only; and,

FIG. 13 is a reduced perspective view, the dashed-and-two-dotted line showing of the pipes, and additional joints being for illustrative purposes only.

1 Claim, 6 Drawing Sheets

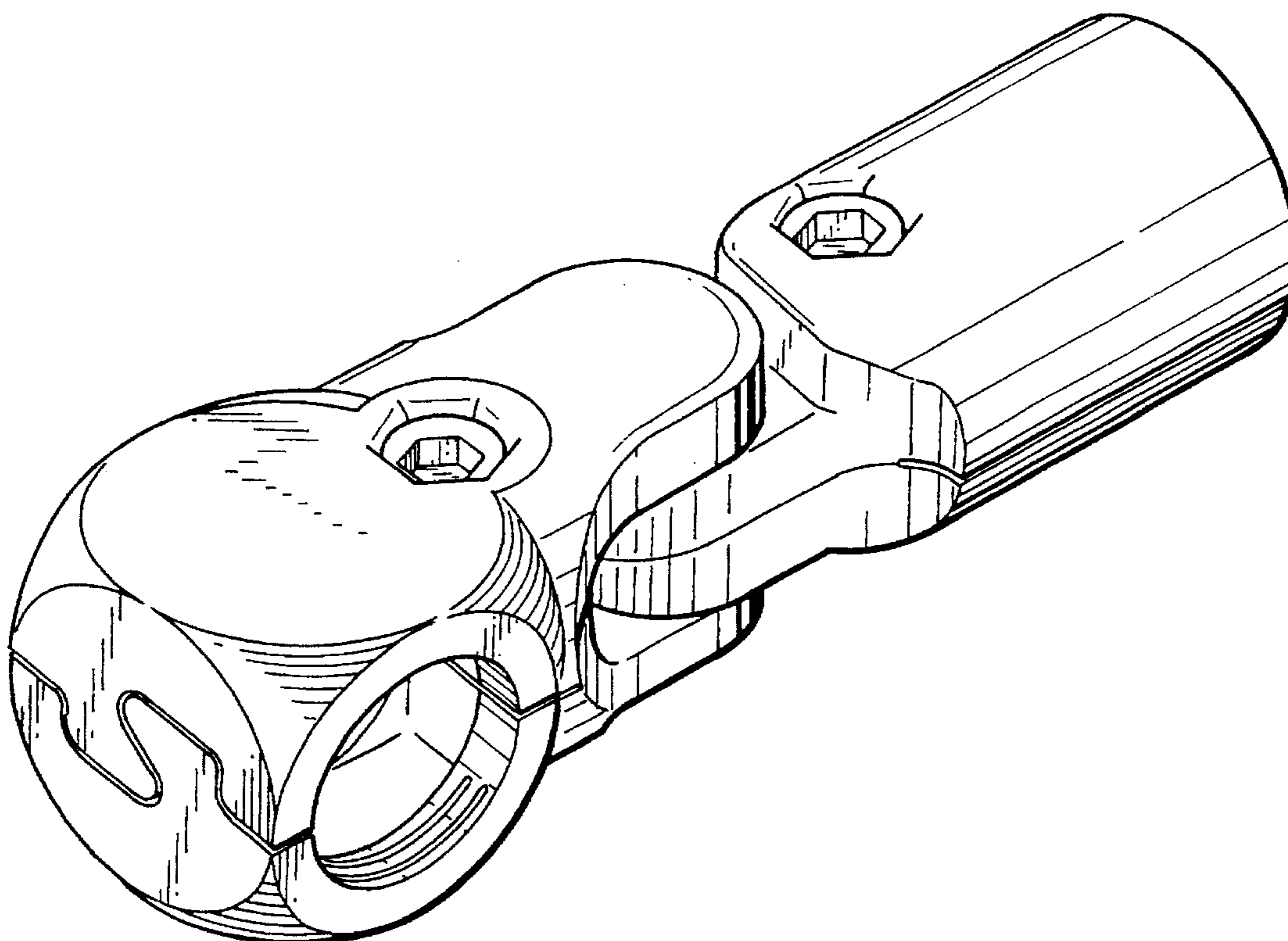


FIG. 1

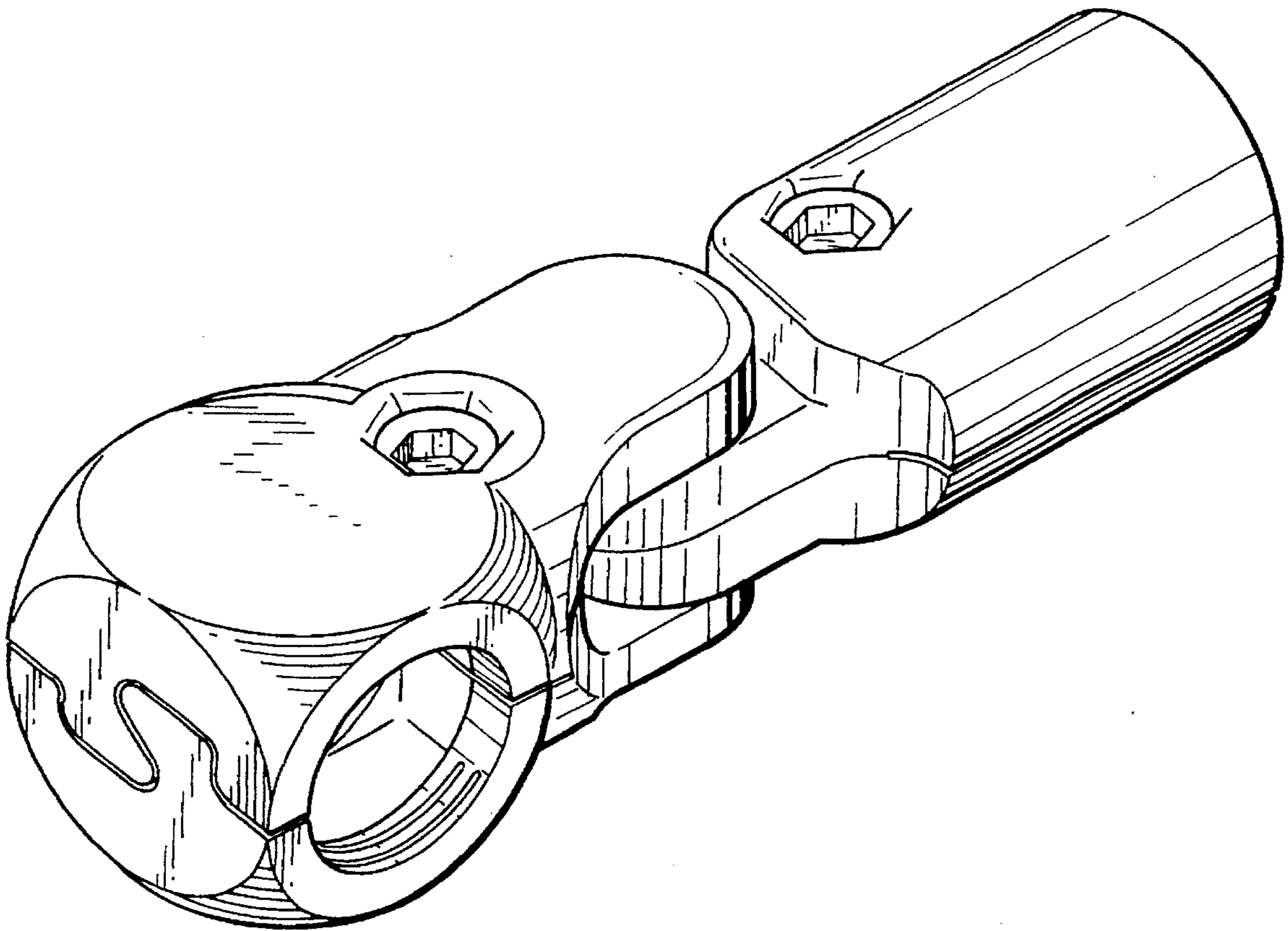


FIG. 2

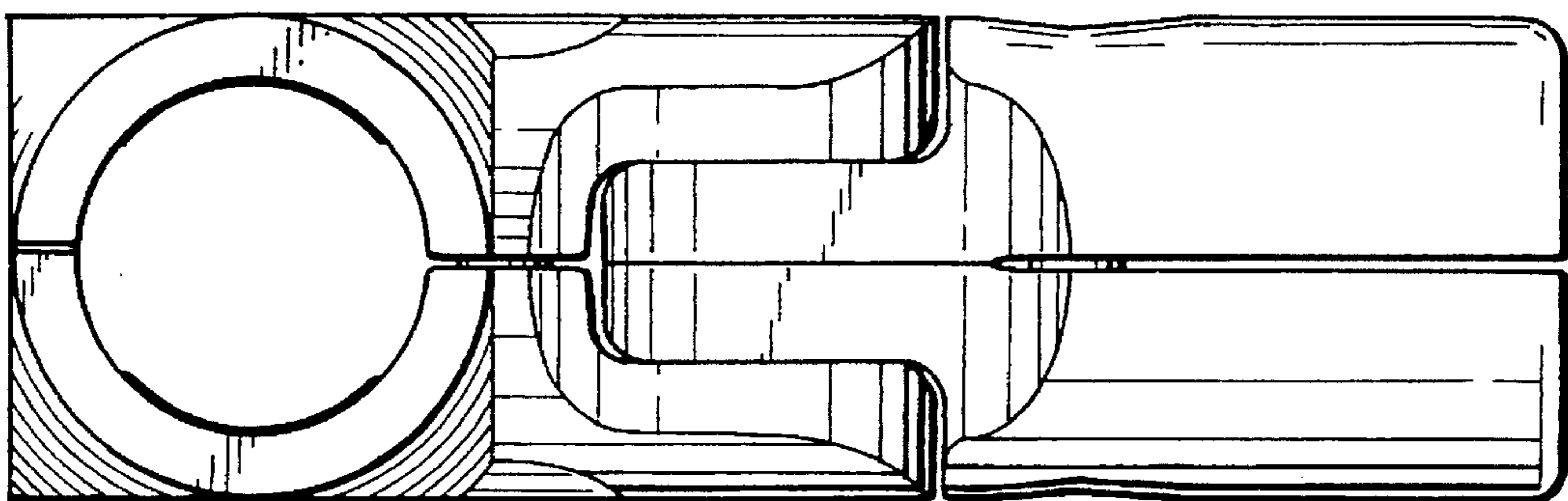


FIG. 3

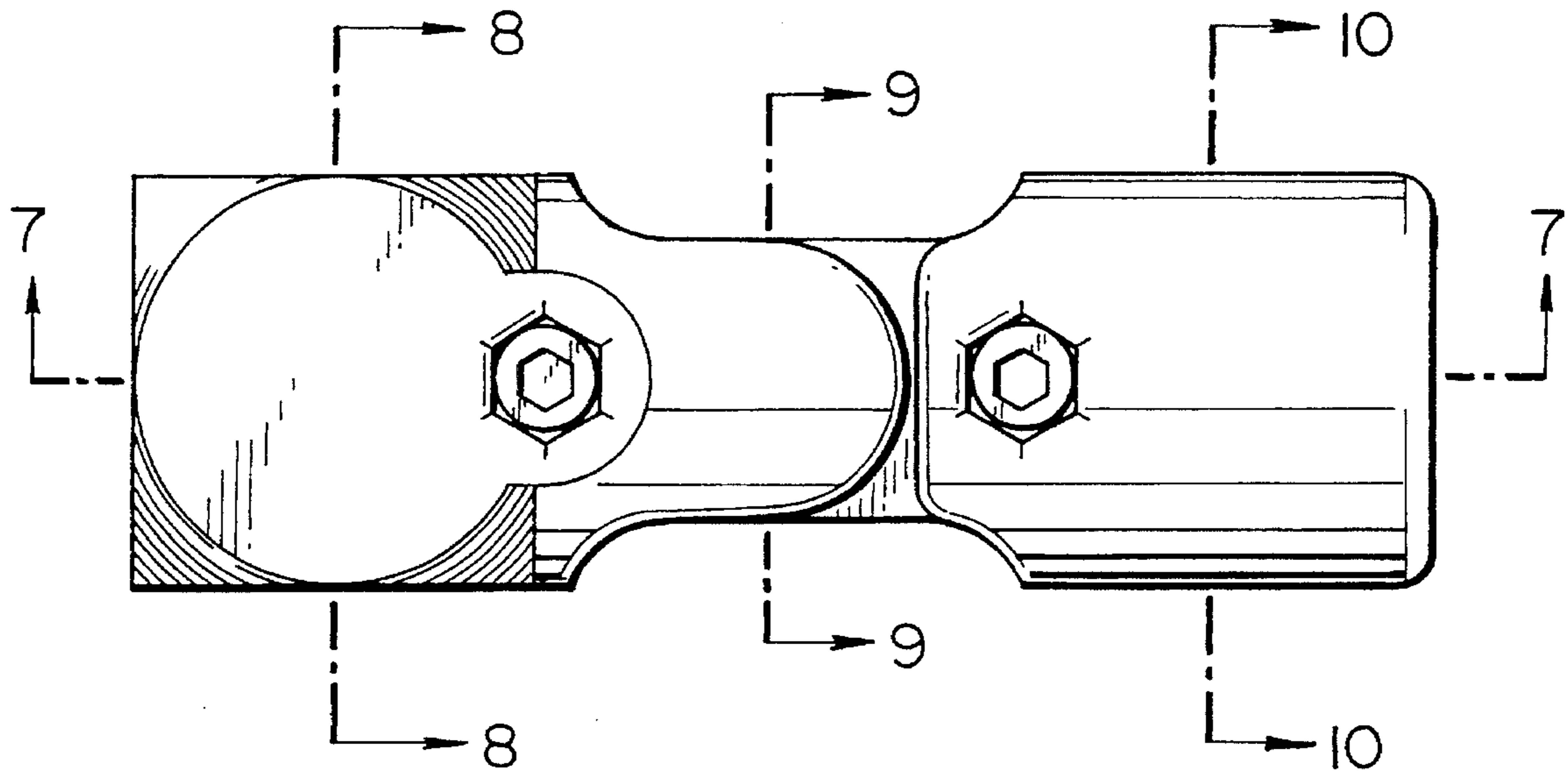


FIG. 4

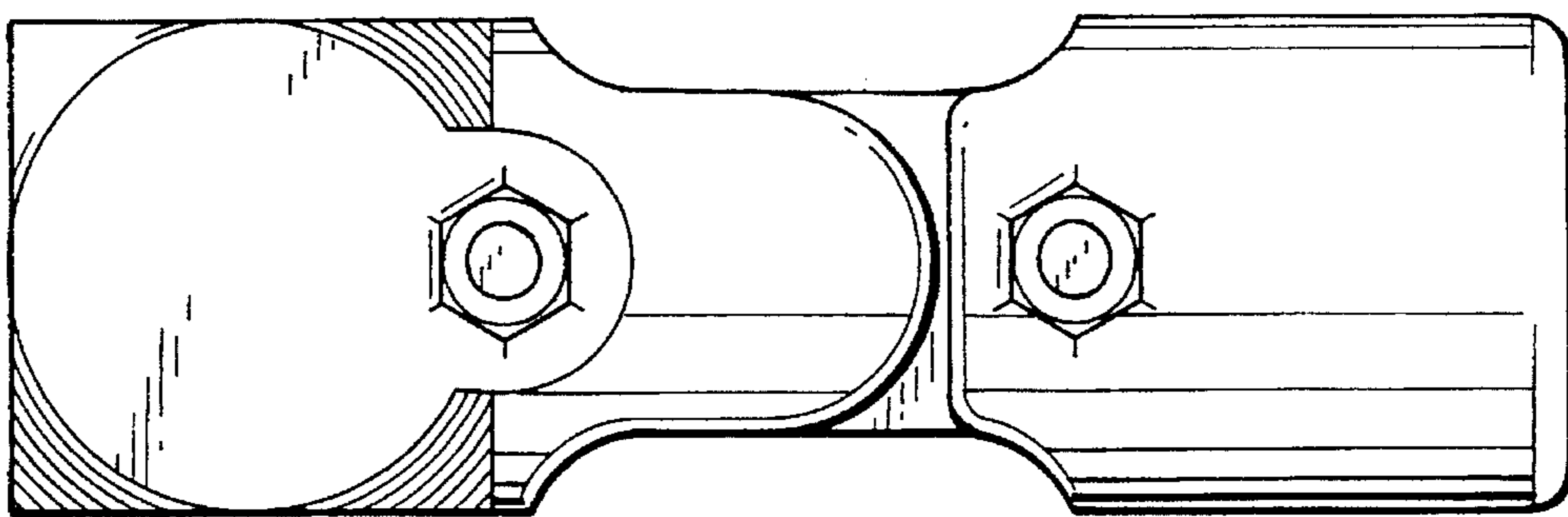


FIG. 5

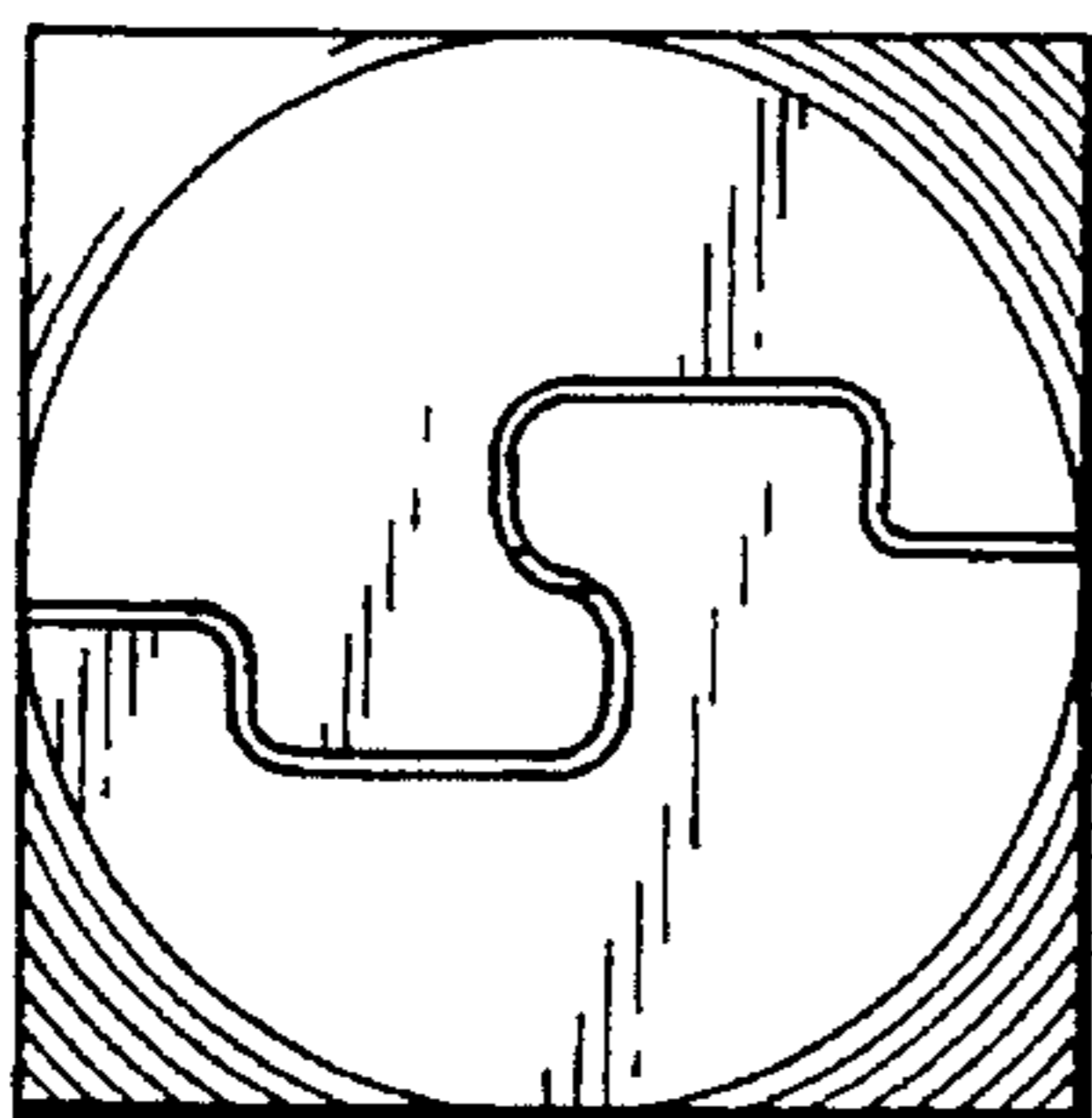


FIG. 6

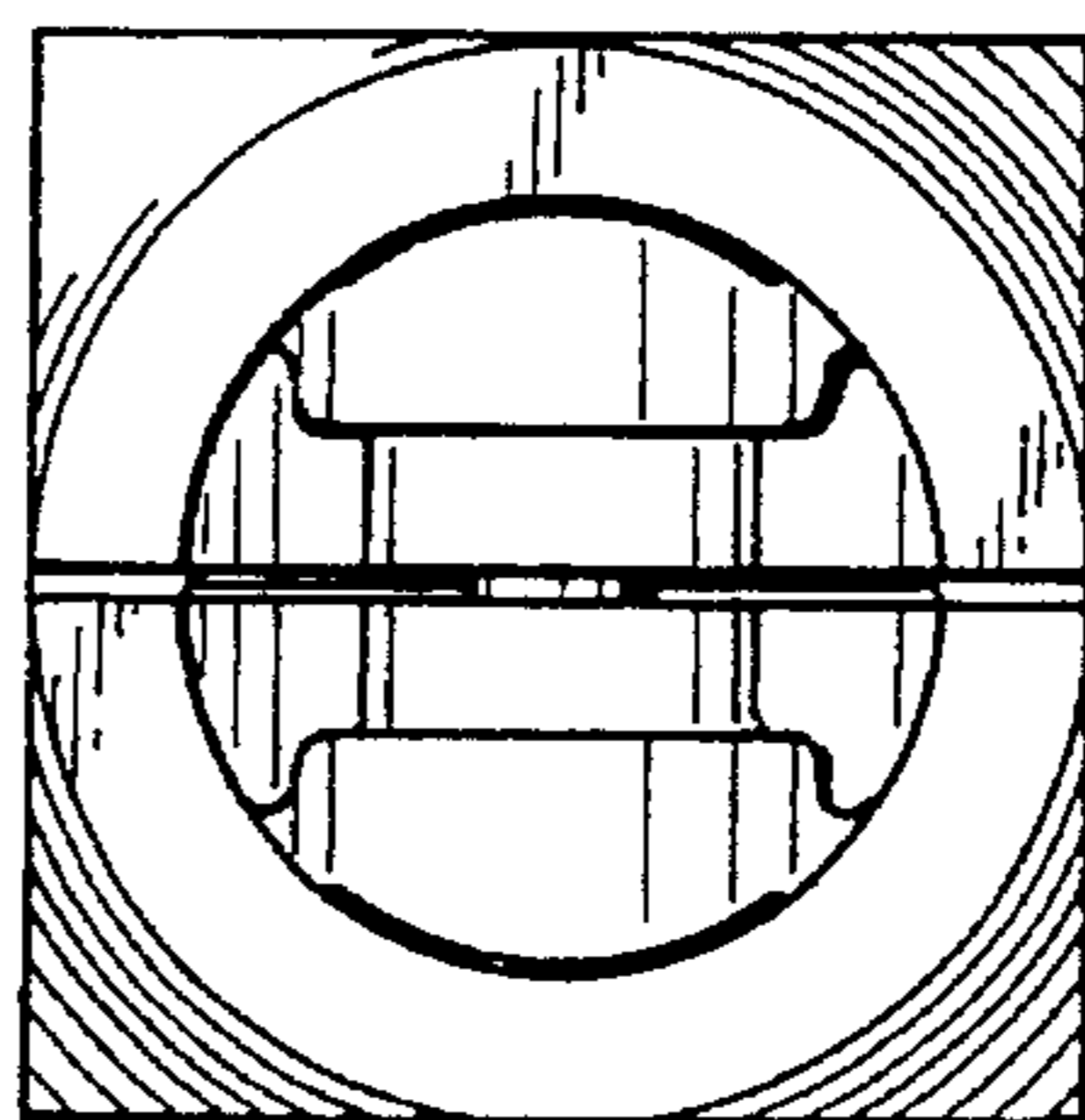


FIG. 7

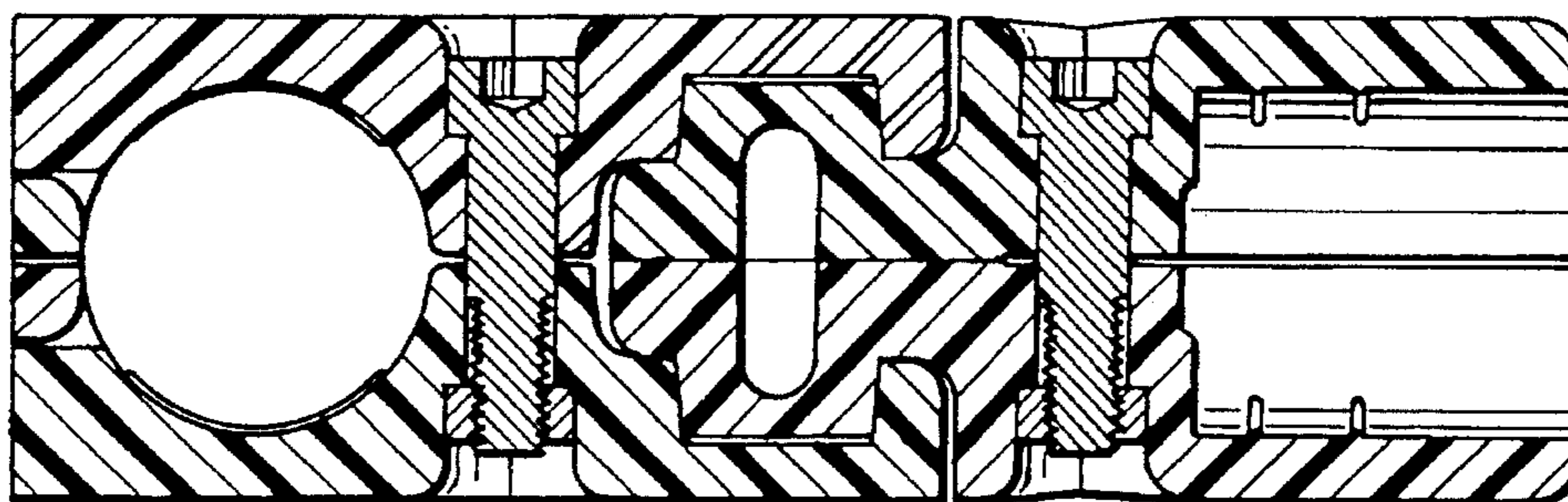


FIG. 8

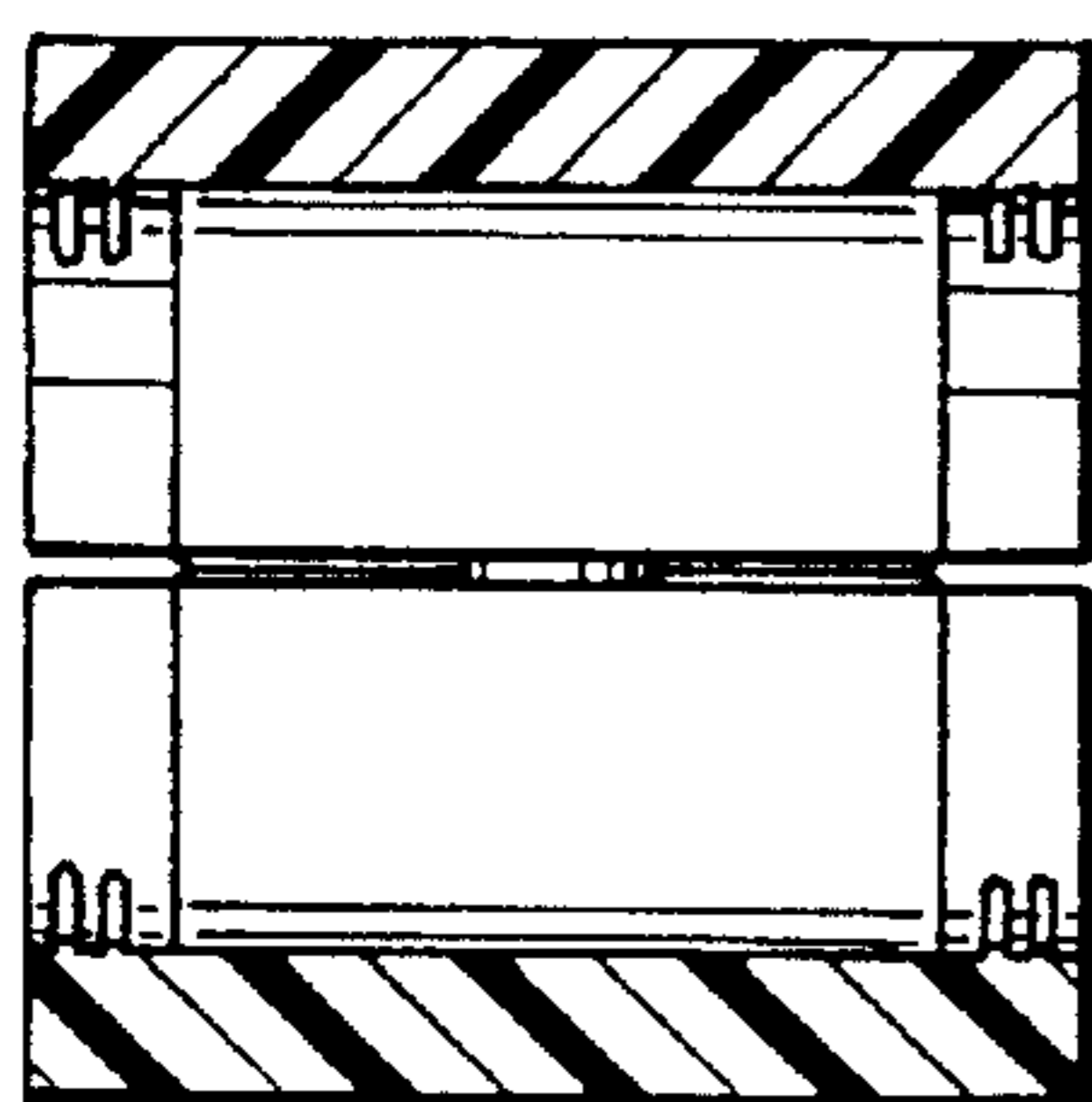


FIG. 9

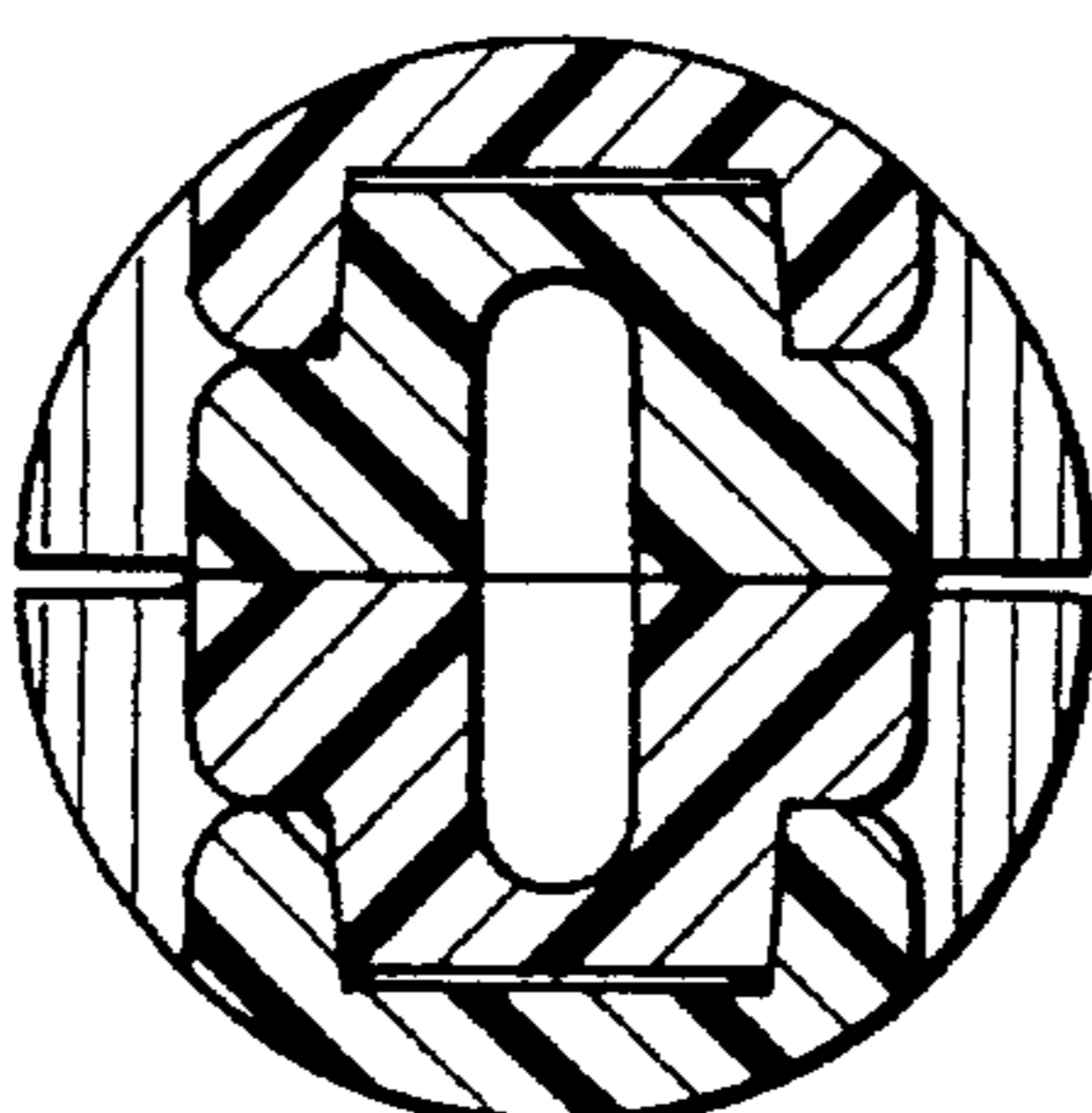


FIG. 10

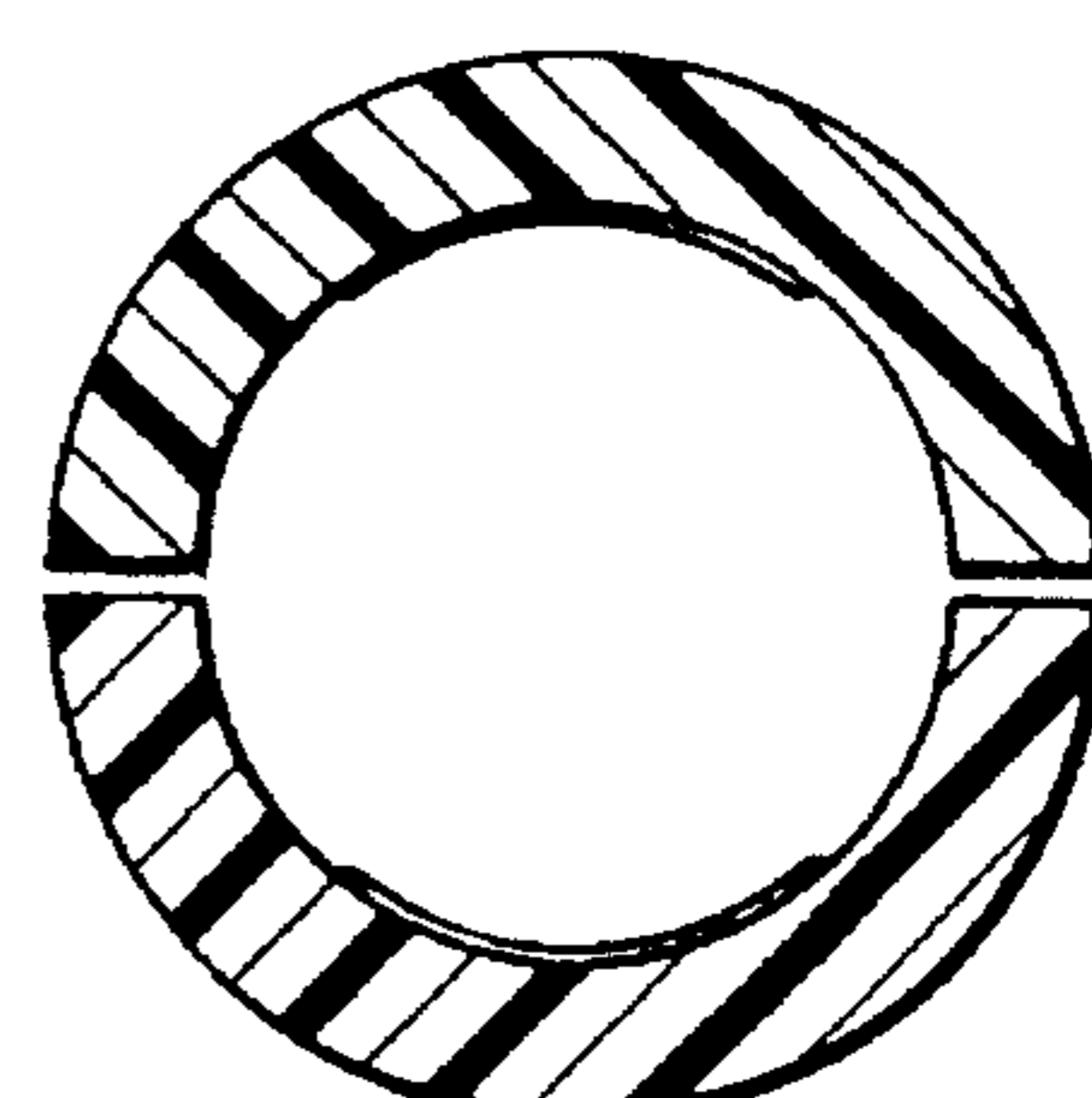


FIG. 11

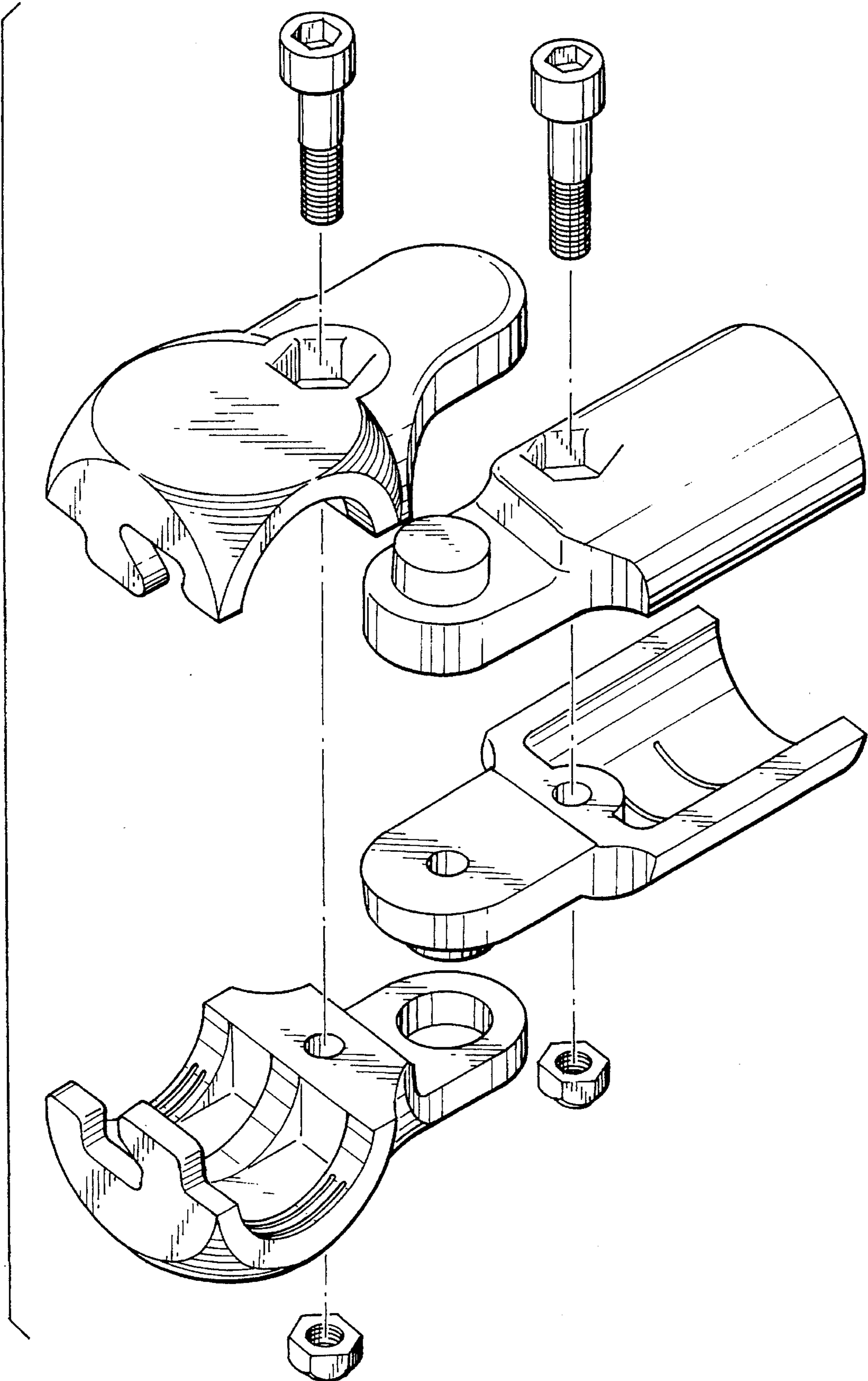


FIG. 12

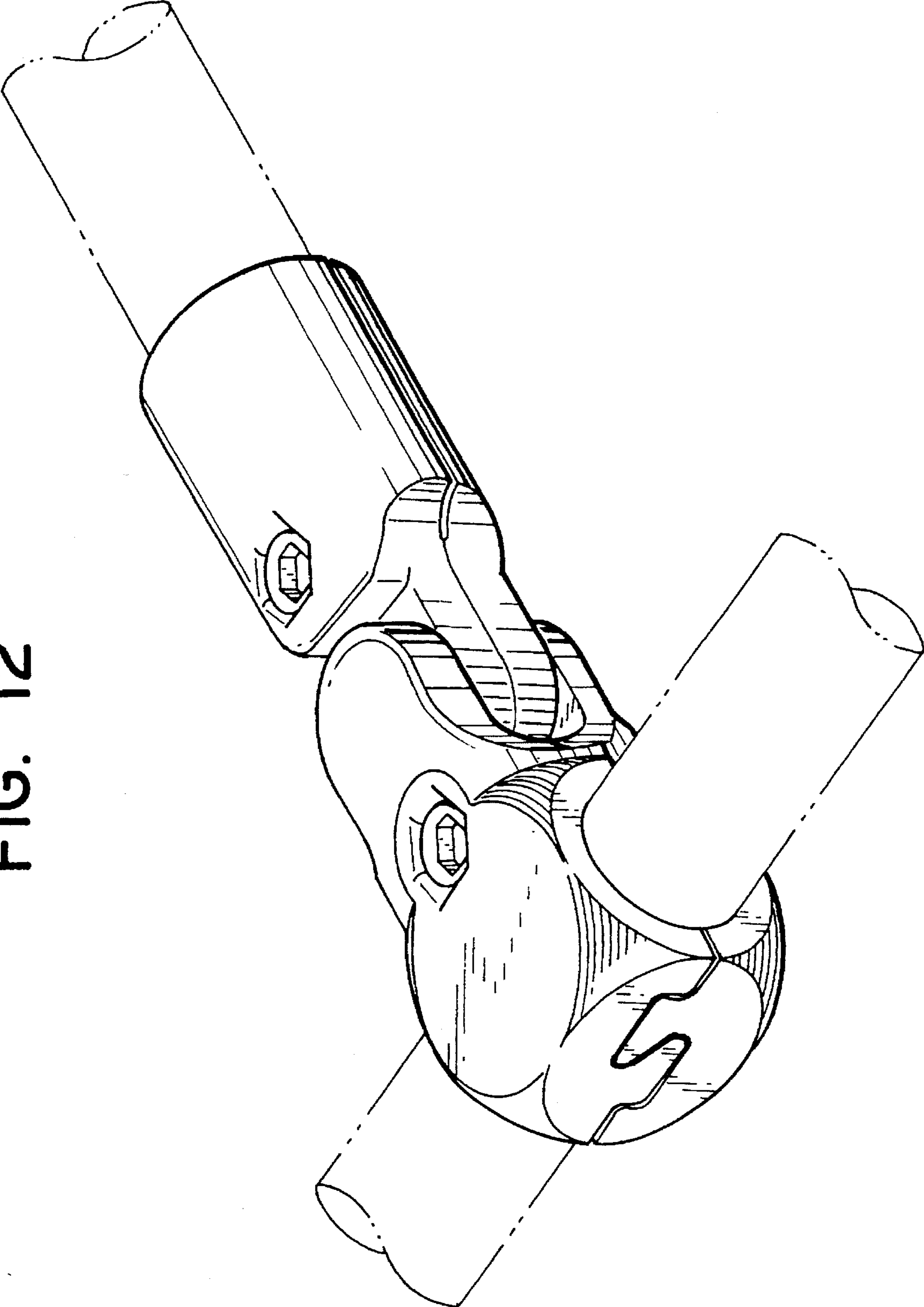


FIG. 13

