



US00D374605S

United States Patent [19] Chase

[11] Patent Number: **Des. 374,605**

[45] Date of Patent: ****Oct. 15, 1996**

[54] BEAM SPLICE

[76] Inventor: **Christopher J. Chase**, 43 Telegraph Rd., Dennisport, Mass. 02639

[**] Term: **14 Years**

[21] Appl. No.: **27,757**

[22] Filed: **Aug. 29, 1994**

[52] U.S. Cl. **D8/382**

[58] Field of Search D8/382, 389; 411/415, 411/461, 463, 489, 457, 474, 469; D25/199; 52/712, 92.2, 633; 403/403, 232.1, 27, 230

[56] **References Cited**

U.S. PATENT DOCUMENTS

3,281,168	10/1966	Dufficy	411/457 X
3,812,636	5/1974	Albrecht et al.	52/334
4,669,235	6/1987	Reinen	411/461 X
5,400,555	3/1995	Kantor	52/712

Primary Examiner—Paula A. Mortimer
Attorney, Agent, or Firm—Thomas A. Kahrl

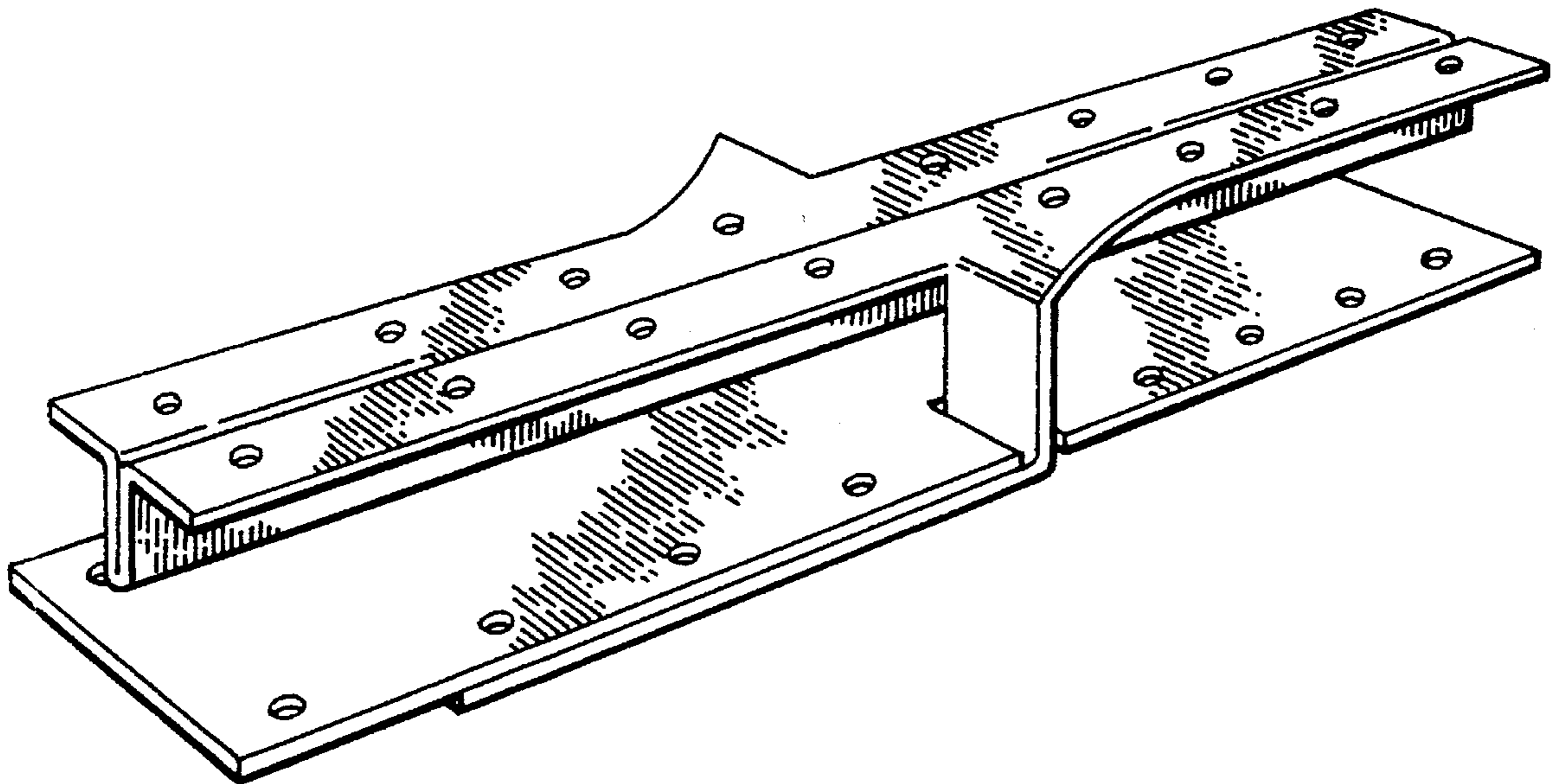
[57] **CLAIM**

The ornamental design for a beam splice, as shown and described.

DESCRIPTION

FIG. 1 is a perspective view of a beam splice showing my new design;
FIG. 2 is a top plan view thereof;
FIG. 3 is a right side elevational view thereof;
FIG. 4 is a front elevational view thereof;
FIG. 5 is a rear elevational view thereof;
FIG. 6 is a left side elevational view;
FIG. 7 is a bottom plan view thereof;
FIG. 8 is a front perspective view thereof; and,
FIG. 9 is a front perspective view thereof.
The broken line showing of the beam in FIGS. 1,3,4,5,6, and 9 is for illustrative purposes only and forms no part of the claimed design.

1 Claim, 4 Drawing Sheets



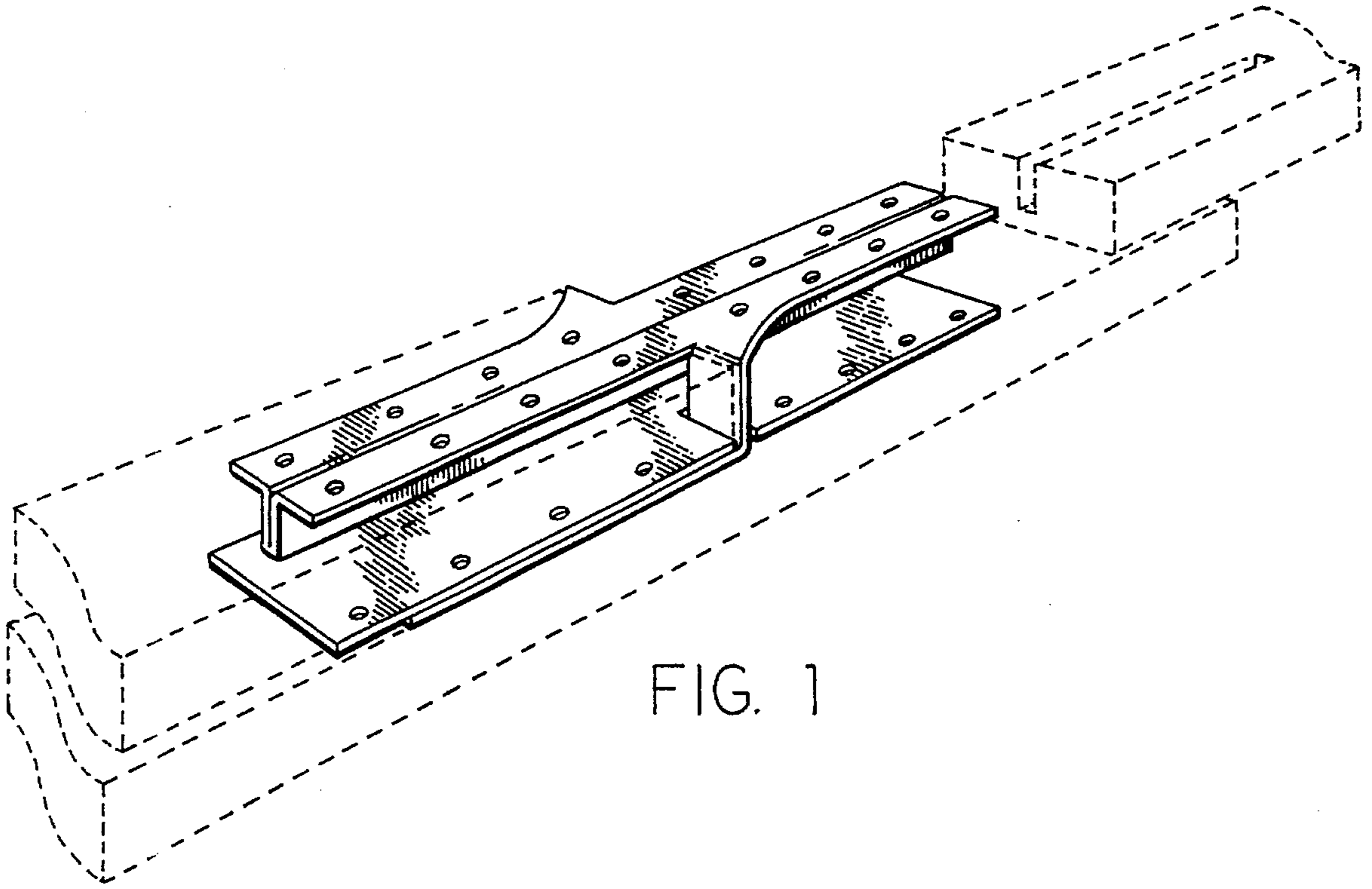


FIG. 1

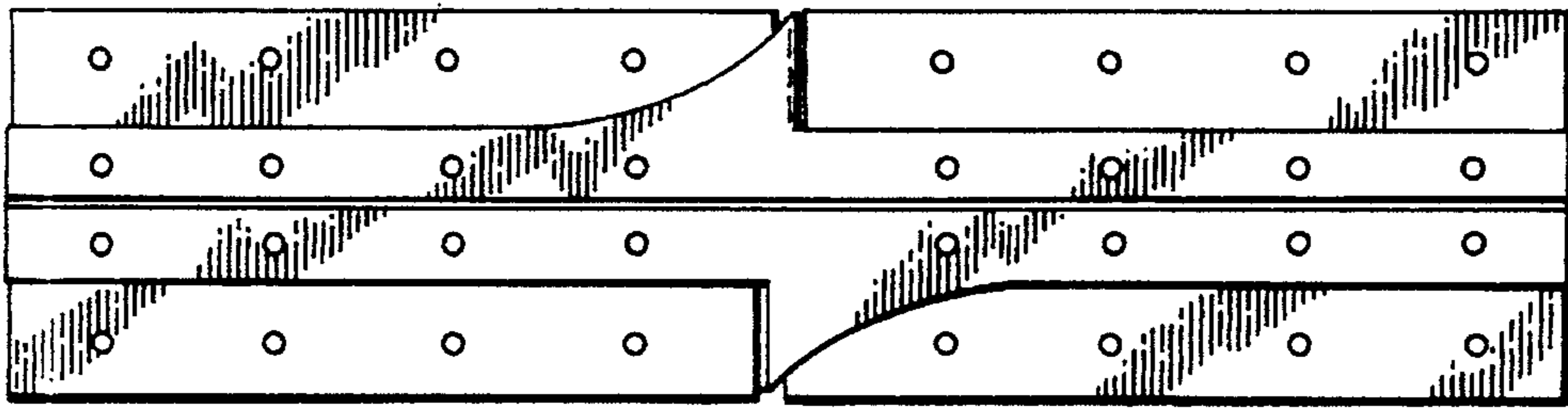


FIG. 2

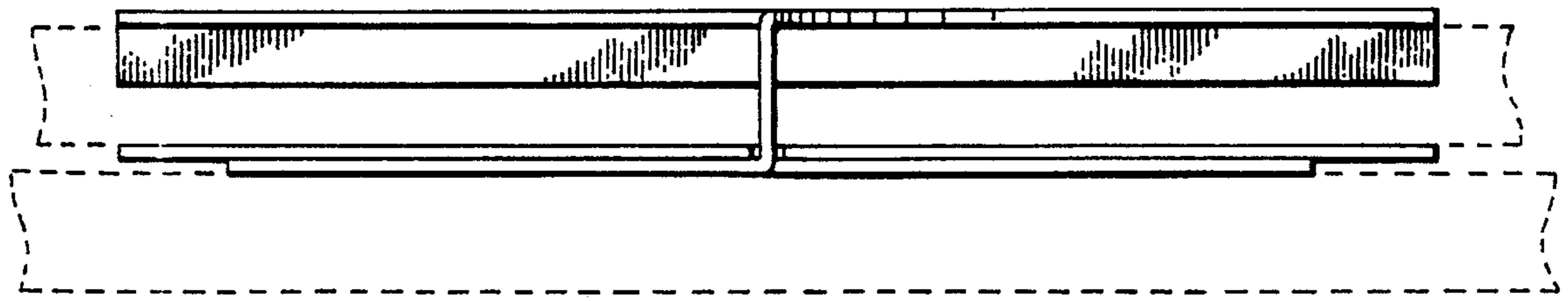


FIG. 3

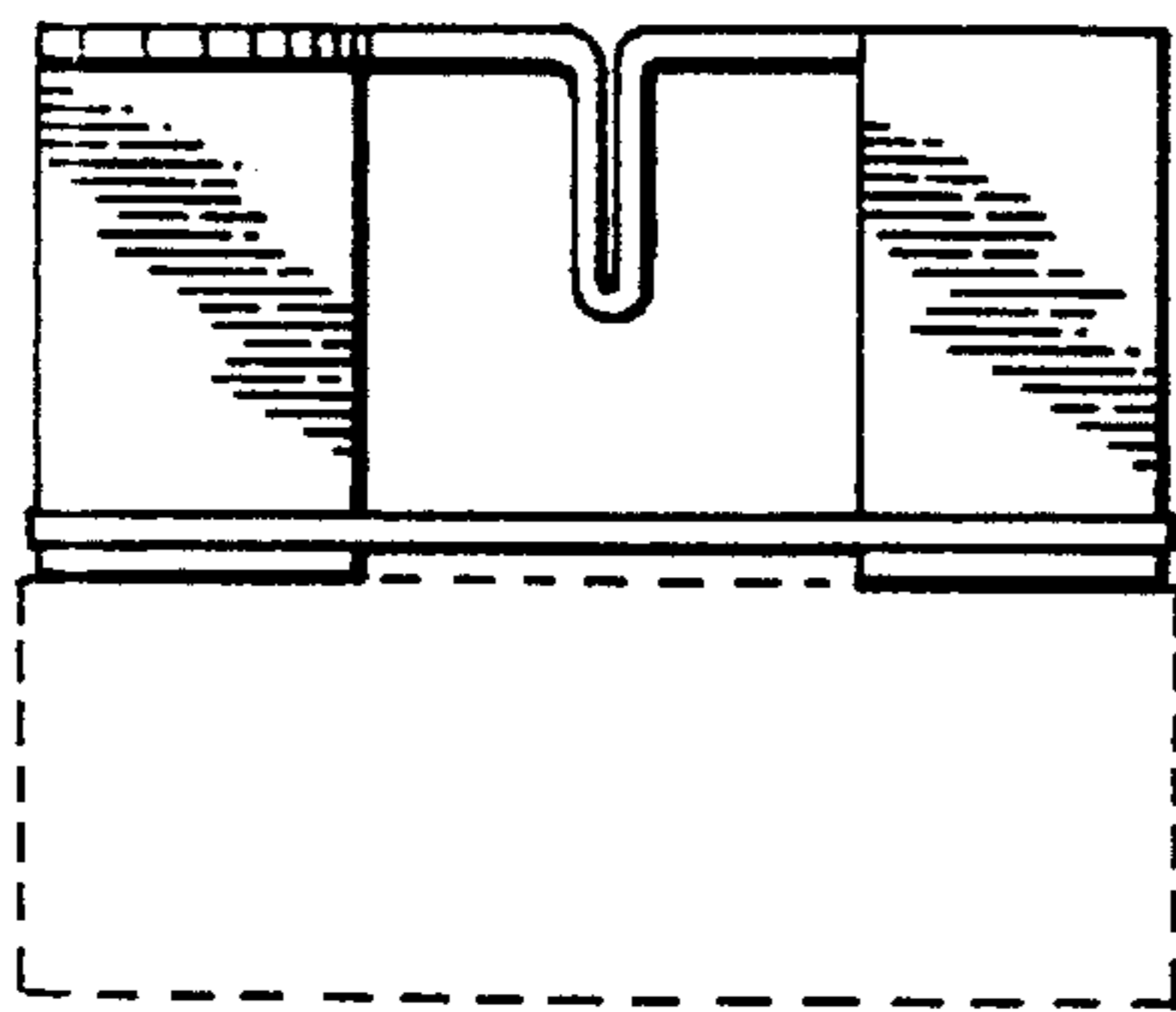


FIG. 4

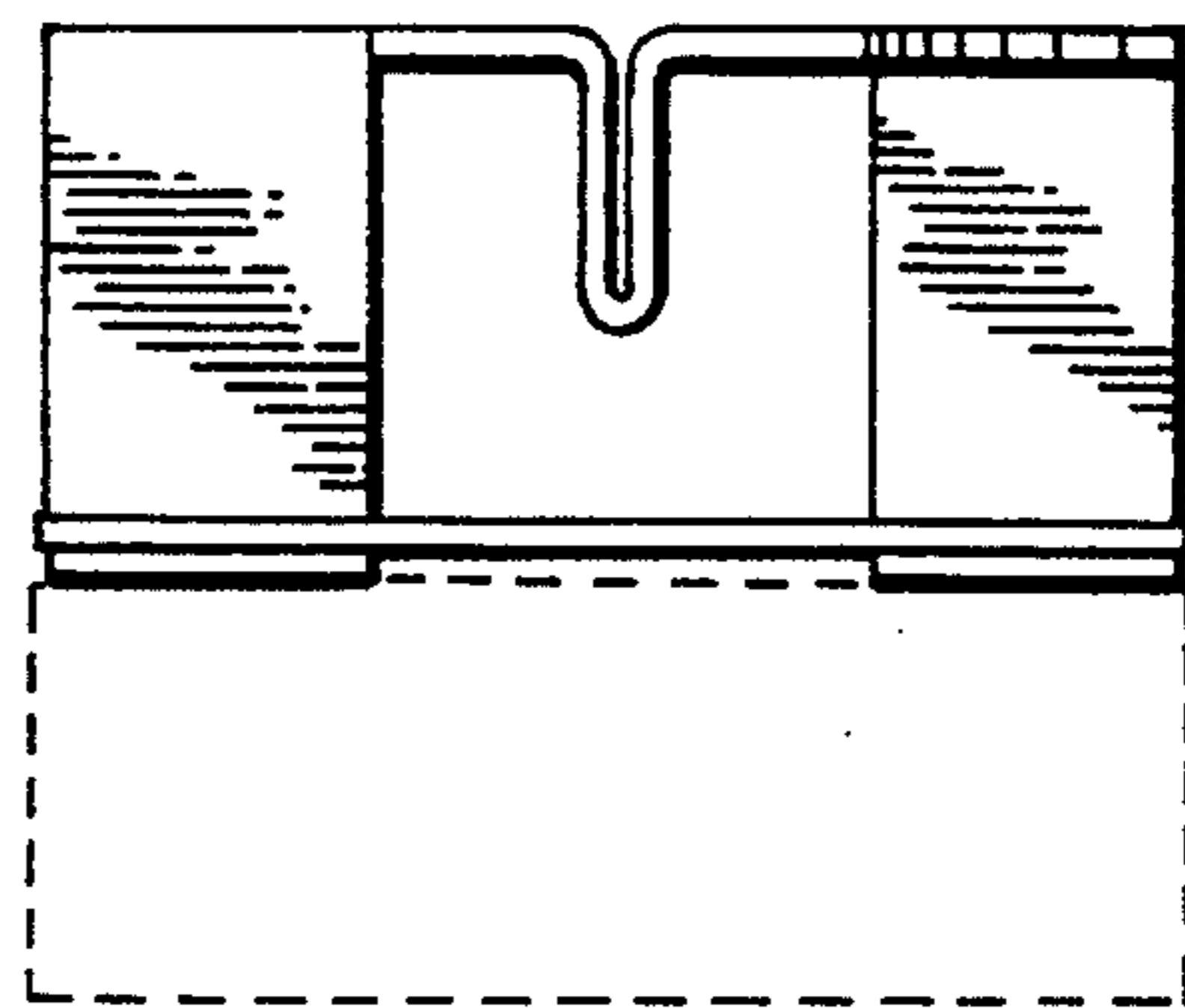


FIG. 5

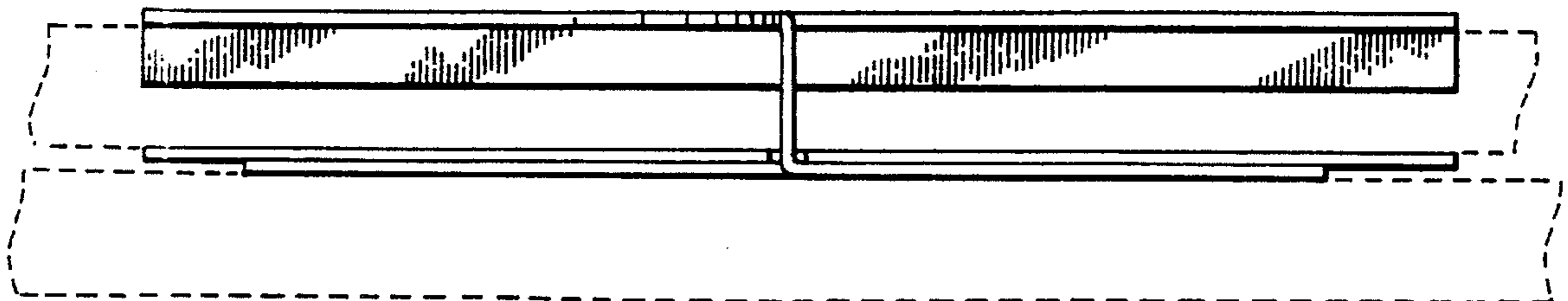


FIG. 6

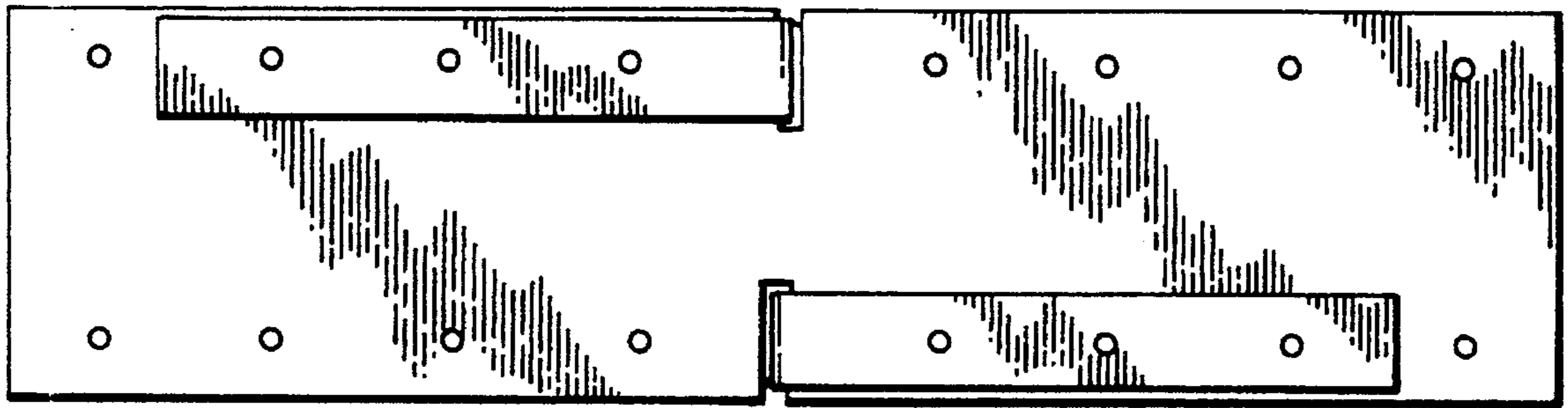


FIG. 7

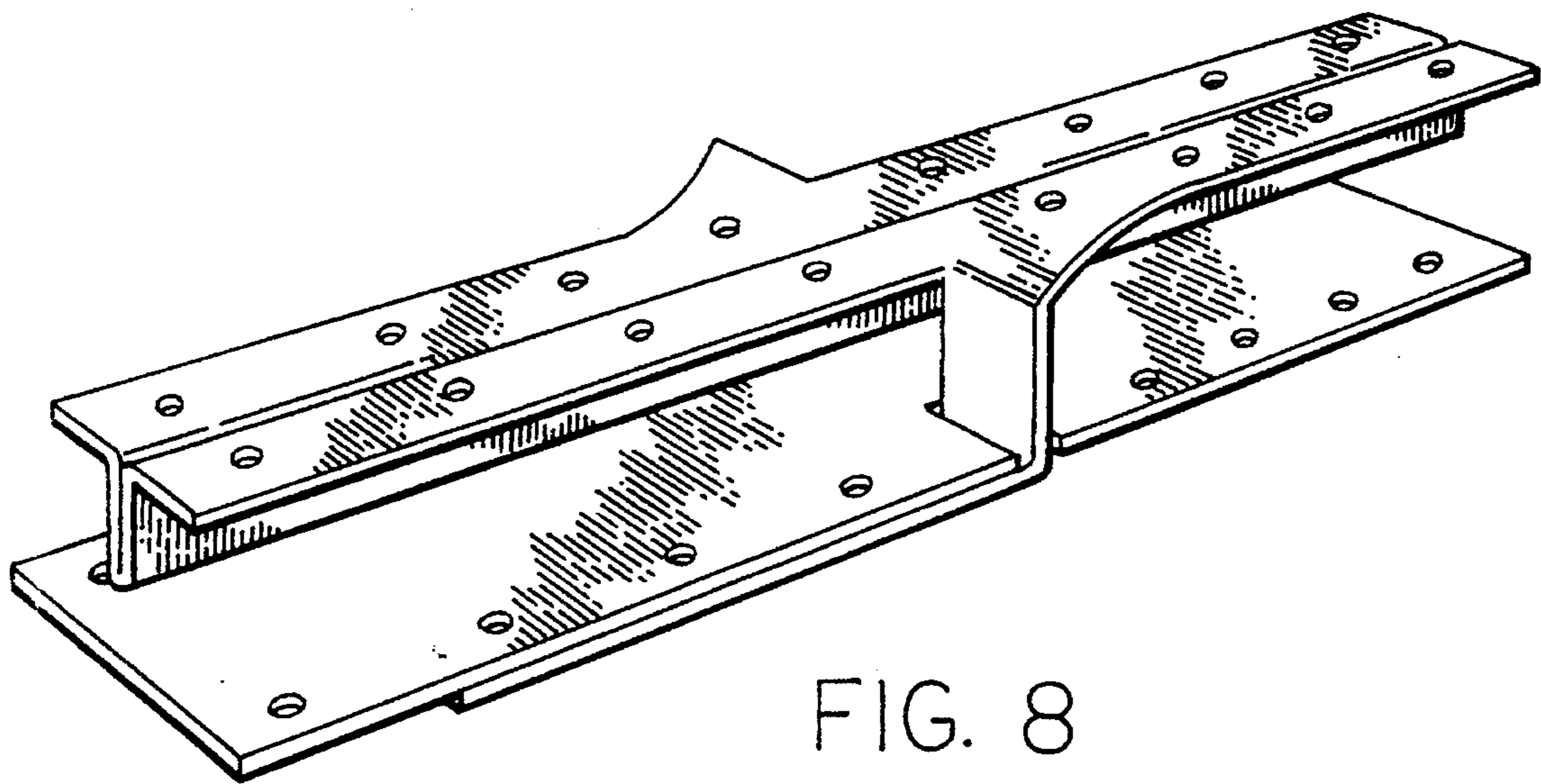


FIG. 8

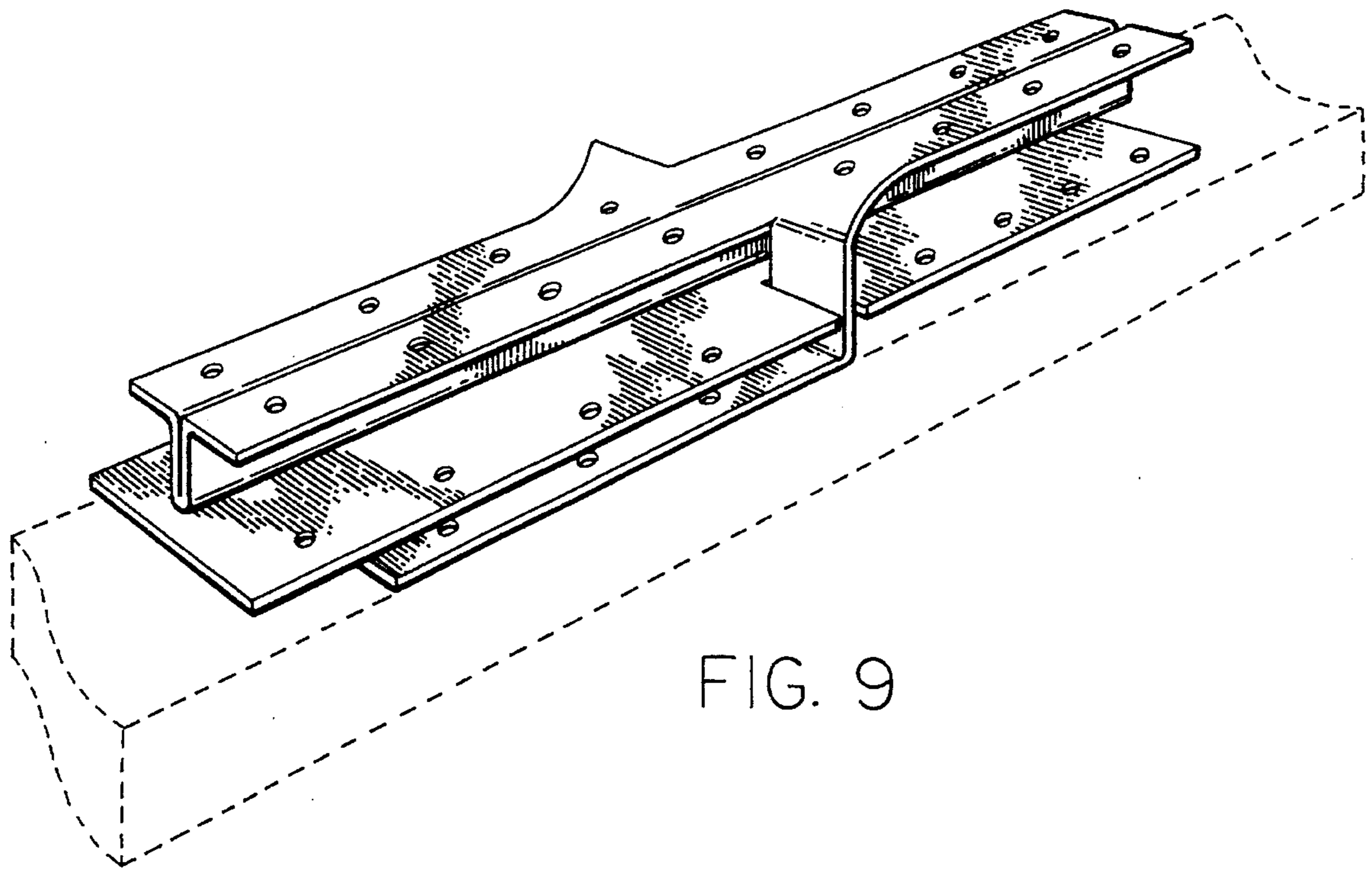


FIG. 9