



US00D374604S

United States Patent [19]

[11] Patent Number: **Des. 374,604**

Hnatowicz et al.

[45] Date of Patent: ****Oct. 15, 1996**

[54] **TOOL HOLDER**

2,678,184	5/1954	Erdody	248/302
3,680,819	8/1972	Meland	248/302
4,936,499	6/1990	Gulley	224/904

[76] Inventors: **Steven Hnatowicz**, H.C. 1 Box 477, Brodheadsville, Pa. 18322; **Michael Musarella**, 36 Woehrle Ave., Staten Island, N.Y. 10312

FOREIGN PATENT DOCUMENTS

847726	7/1970	Canada	248/302
--------	--------	--------------	---------

[**] Term: **14 Years**

Primary Examiner—B. J. Bullock
Assistant Examiner—Robert M. Spear
Attorney, Agent, or Firm—Goldstein & Associates

[21] Appl. No.: **37,998**

[22] Filed: **Apr. 25, 1995**

[57] **CLAIM**

[52] U.S. Cl. **D8/373; D3/228**

The ornamental design for a tool holder, as shown and described.

[58] Field of Search D3/228; D6/400, D6/566; D8/71, 373; D15/140; 224/151, 163, 251, 252, 269, 904; 248/112, 302, 214, 215; 269/16

DESCRIPTION

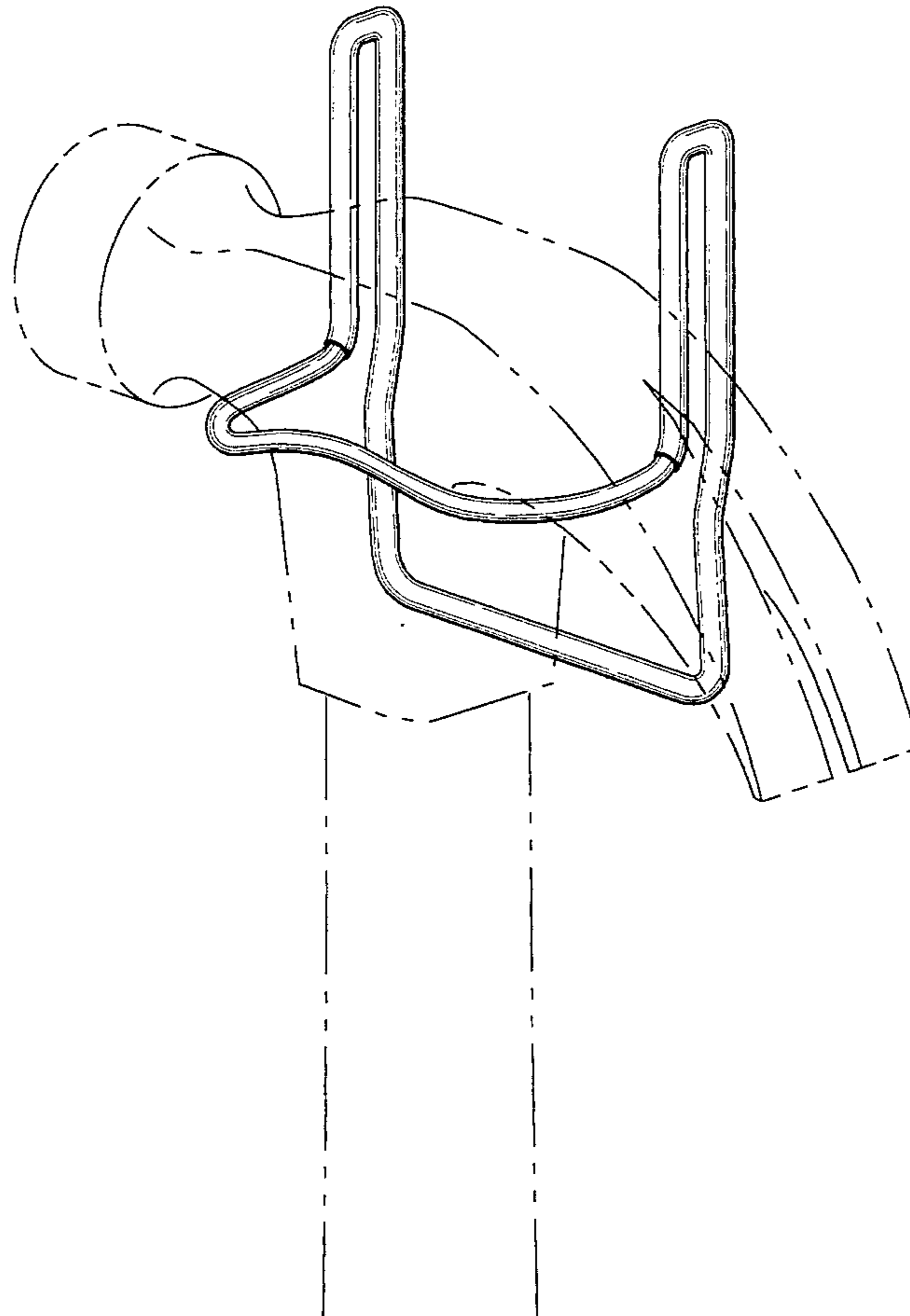
[56] **References Cited**

FIG. 1 is a perspective view of a tool holder showing our new design in full lines with the broken line showing of environmental association matter being for illustrative purposes only and forming no part of the claimed invention; FIG. 2 is a right side elevational view of the tool holder per se, the left side view being a mirror image of the right side view; FIG. 3 is a front elevational view thereof; FIG. 4 is a rear elevational view thereof; FIG. 5 is a bottom plan view thereof; and, FIG. 6 is a top plan view thereof.

U.S. PATENT DOCUMENTS

D. 213,451	3/1969	White	D8/373
D. 242,409	11/1976	Enckler	D8/373
D. 258,550	3/1981	Strauss	D3/228
D. 300,804	4/1989	Myers	D8/373
D. 306,521	3/1990	Kenney	D8/71
649,338	5/1900	McGill	248/302
1,170,859	2/1916	Walker	224/904
1,459,002	6/1923	Swift	248/302
2,618,419	11/1952	Vanish	211/70.6
2,658,116	11/1953	Skantze	248/302

1 Claim, 3 Drawing Sheets



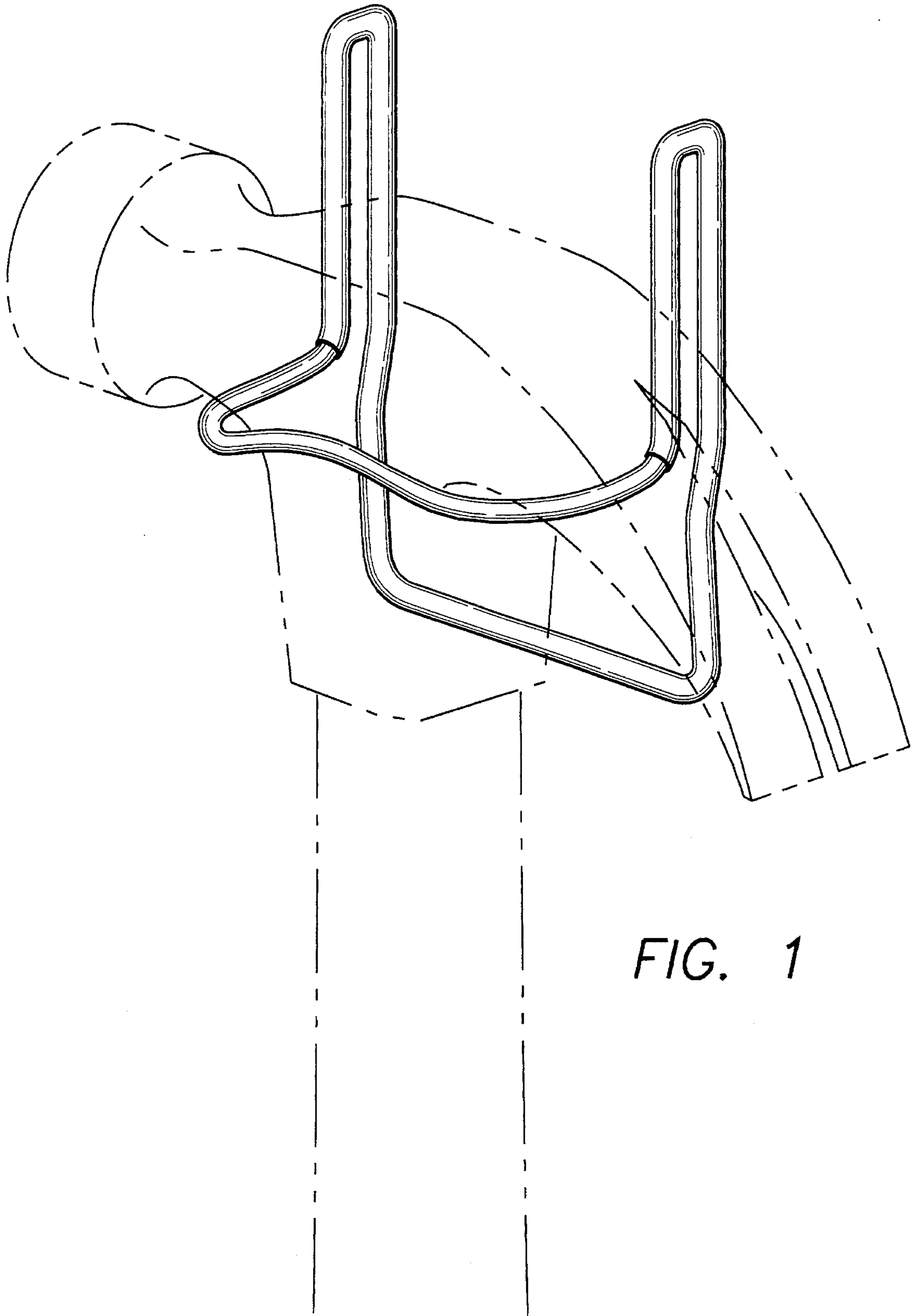


FIG. 1

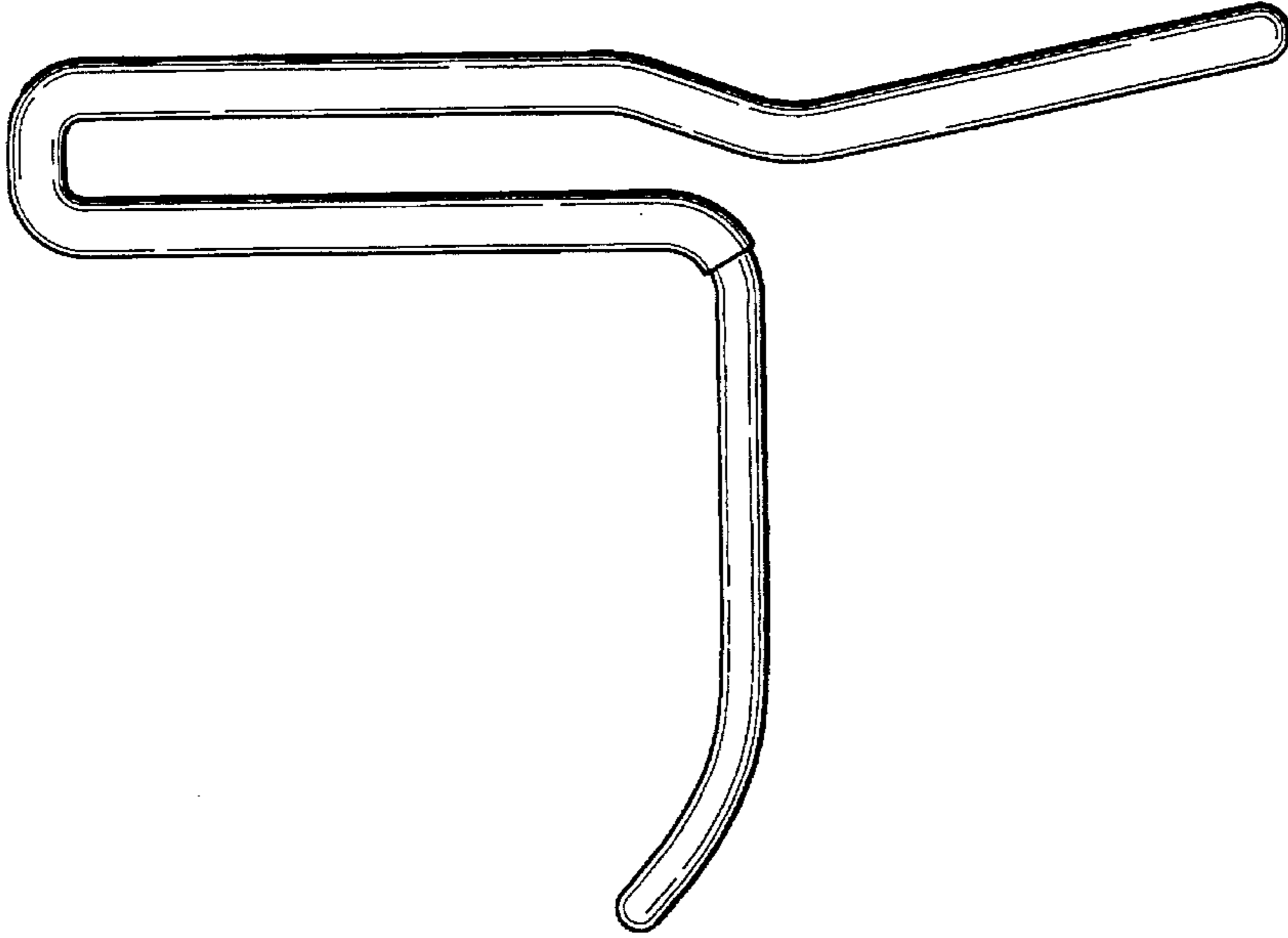


FIG. 2

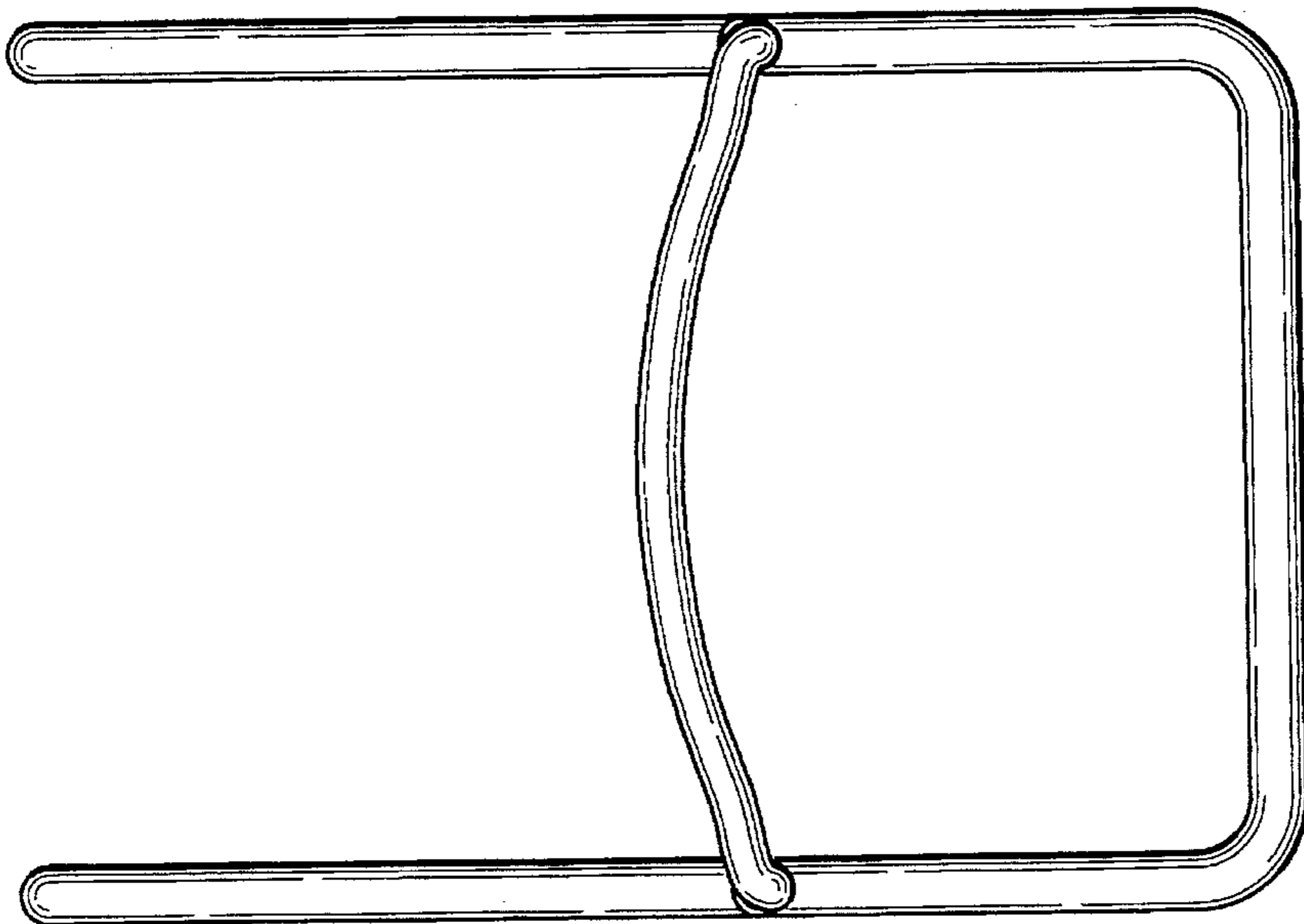


FIG. 3

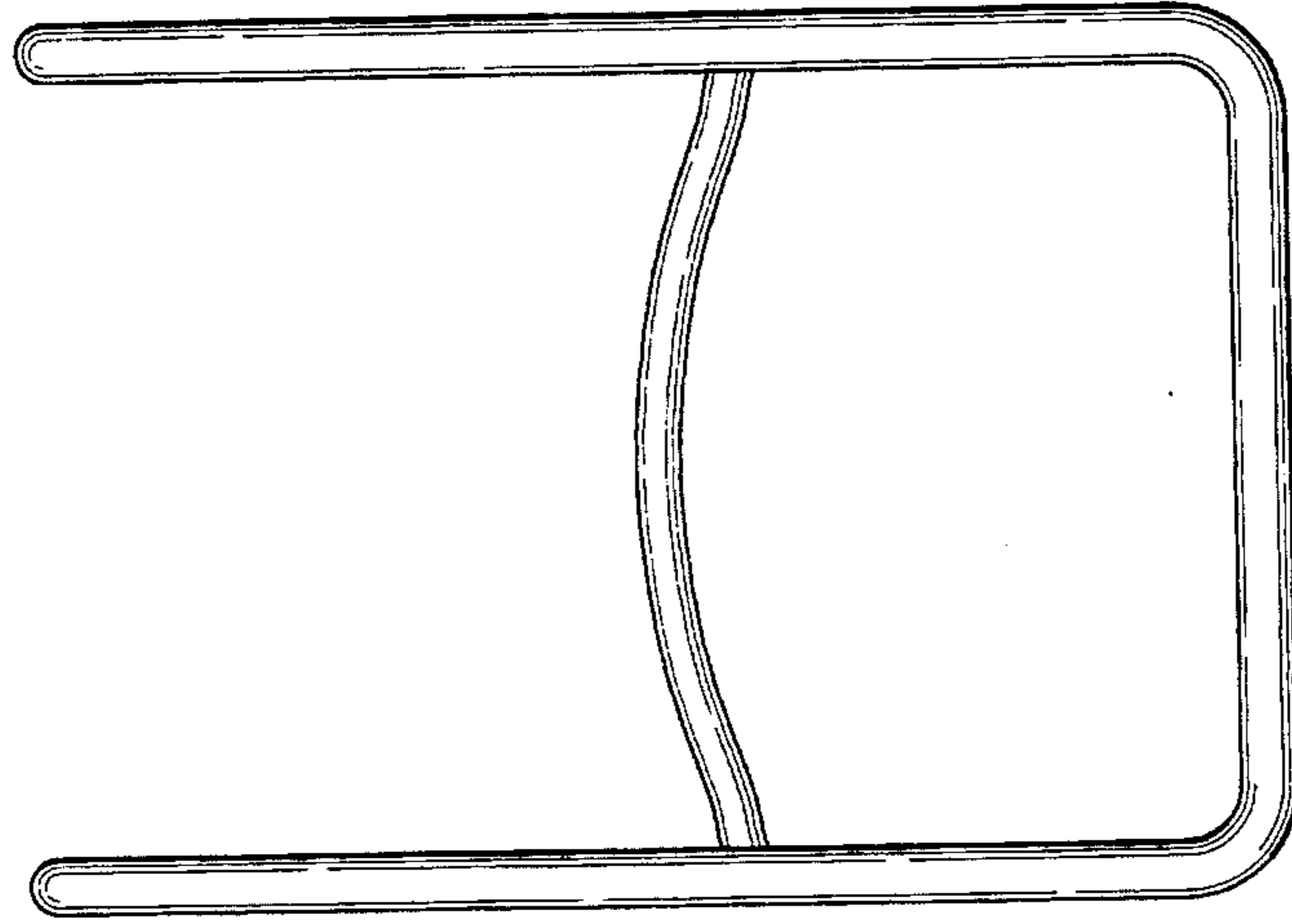


FIG. 4

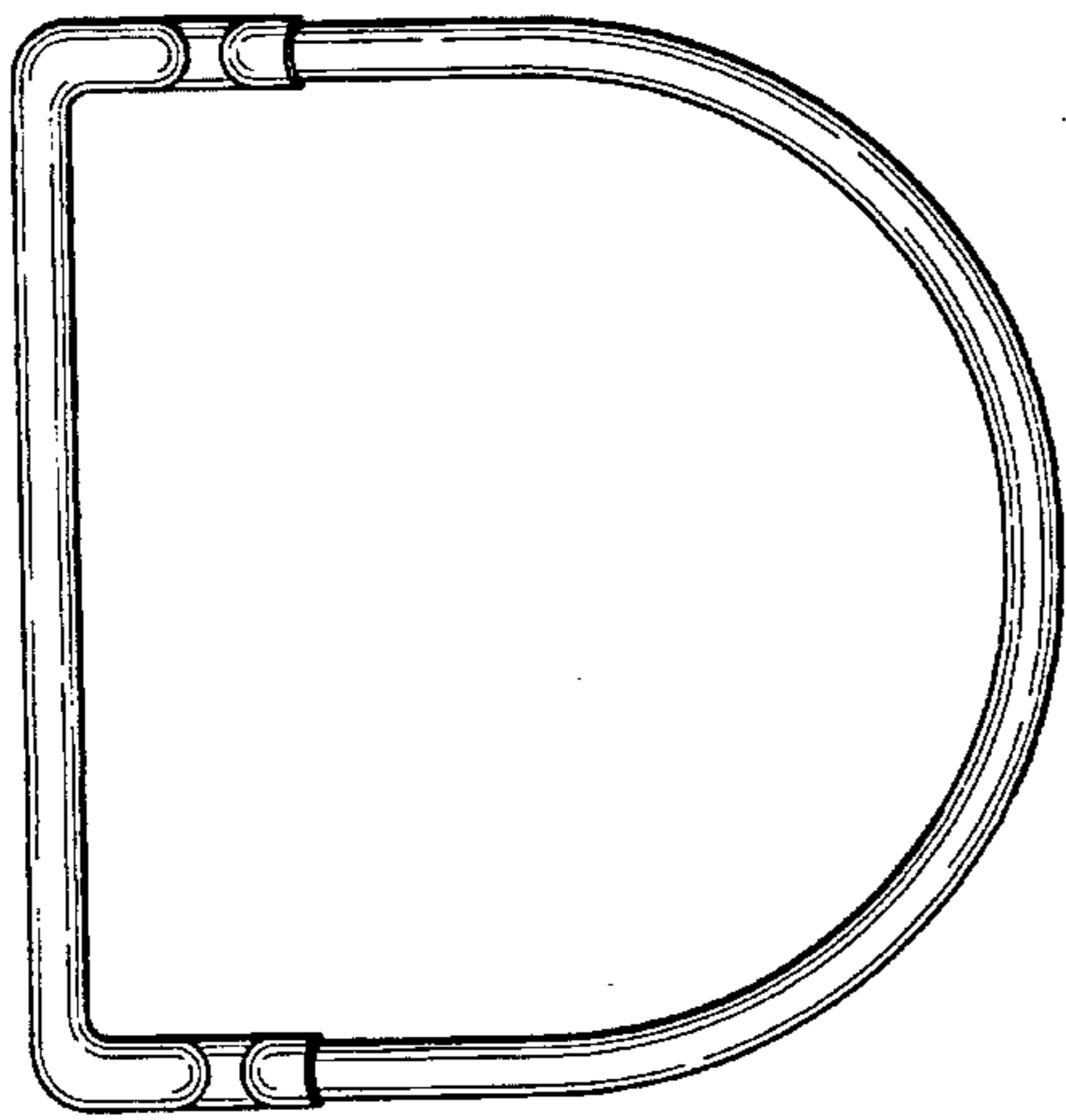


FIG. 5

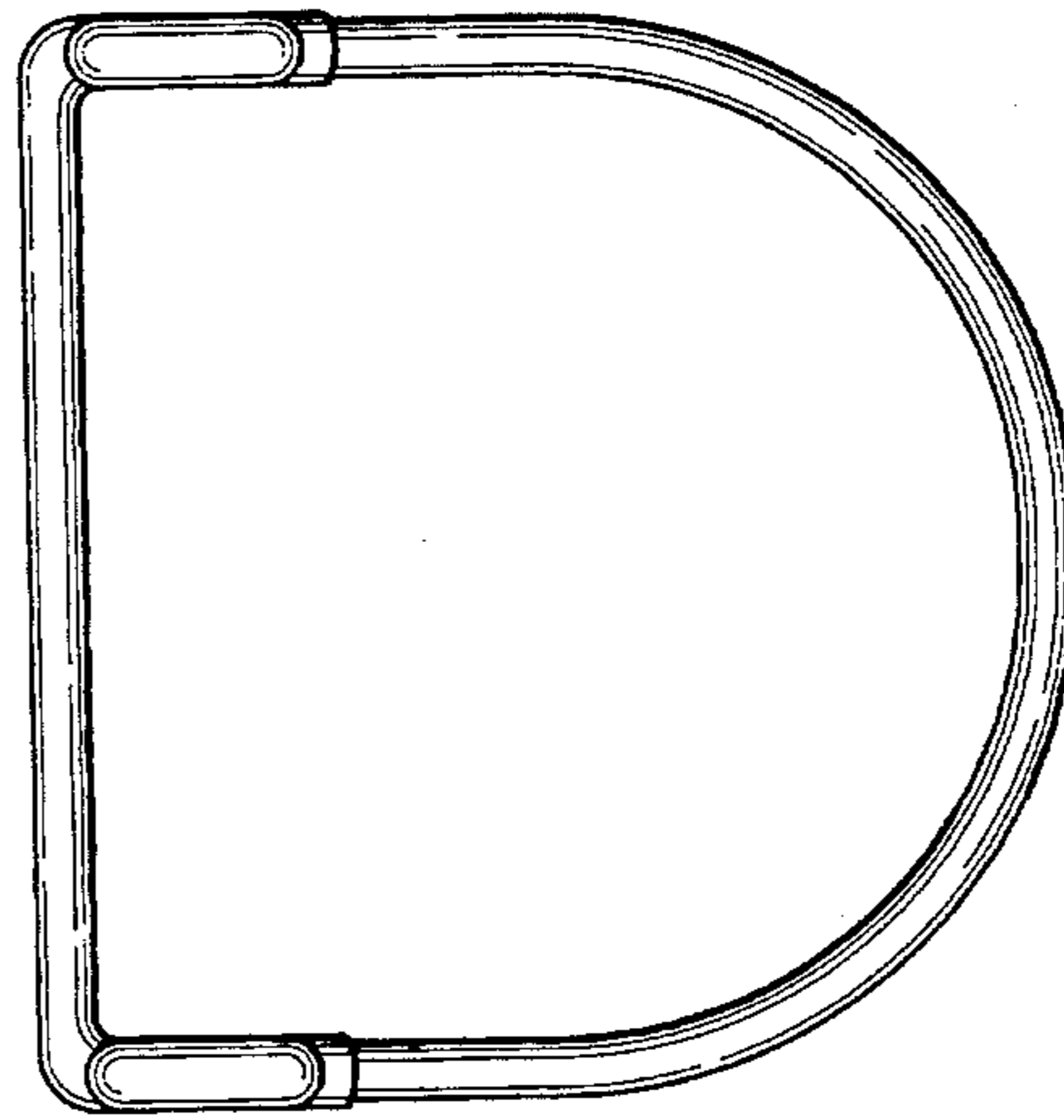


FIG. 6